



US00D852660S

(12) **United States Design Patent**
Shen

(10) **Patent No.:** **US D852,660 S**
(45) **Date of Patent:** **** Jul. 2, 2019**

- (54) **AC CLAMP ACCESSORY**
- (71) Applicant: **Fluke Corporation**, Everett, WA (US)
- (72) Inventor: **Yurui Shen**, Shanghai (CN)
- (73) Assignee: **Fluke Corporation**, Everett, WA (US)
- (**) Term: **15 Years**
- (21) Appl. No.: **29/634,009**
- (22) Filed: **Jan. 17, 2018**

9,541,581 B2 1/2017 Ringsrud
 D787,353 S 5/2017 Chang
 9,903,902 B2* 2/2018 Genoulaz G01R 1/0416

FOREIGN PATENT DOCUMENTS

CN	301490956 S	3/2011
CN	302062546 S	9/2012
CN	303094811 S	2/2015
TW	D113430 A	10/2006
TW	D140116 A	4/2011

OTHER PUBLICATIONS

Fluke Corporation, "i2500-18 and i2500-10 iFlex™ Flexible Current Probes Unprecedented measurement flexibility", 2010, 2 pgs.
 "APPA sFLEX-D Clamp meter", Welcome to APPA, http://www.appatech.com/appa_index.php. retrieved Aug. 18, 2015, 1 page.
 Taiwan IPO Search Report for Application No. 105302563, dated Oct. 11, 2016, 2 pgs.

Related U.S. Application Data

- (63) Continuation of application No. 29/563,999, filed on May 10, 2016, now Pat. No. Des. 811,911.

Foreign Application Priority Data

- (30) Nov. 11, 2015 (CN) 2015 3 0448249

- (51) **LOC (11) Cl.** **10-04**

- (52) **U.S. Cl.**
USPC **D10/79; D10/80**

- (58) **Field of Classification Search**
USPC D10/79, 80
CPC G01R 1/04; G01R 1/0408; G01R 1/0416;
G01R 1/0425; G01R 1/06; G01R 1/067;
G01R 15/125; G01R 1/22; G01R 15/12;
G01R 15/18; G01R 15/186; G01R 1/07;
G01R 1/16772; G01R 1/16788

See application file for complete search history.

References Cited

- (56) **U.S. PATENT DOCUMENTS**

D749,968 S 2/2016 Huang et al.
 D750,987 S 3/2016 Huang
 D772,741 S 11/2016 Huang et al.

* cited by examiner

Primary Examiner — Antoine Duval Davis
 (74) *Attorney, Agent, or Firm* — Seed Intellectual Property Law Group LLP

(57) **CLAIM**

The ornamental design for an AC clamp accessory, as shown and described.

DESCRIPTION

FIG. 1 is a front elevational view of an AC clamp accessory showing my new design.

FIG. 2 is a rear elevational view thereof.

FIG. 3 is a left side elevational view thereof.

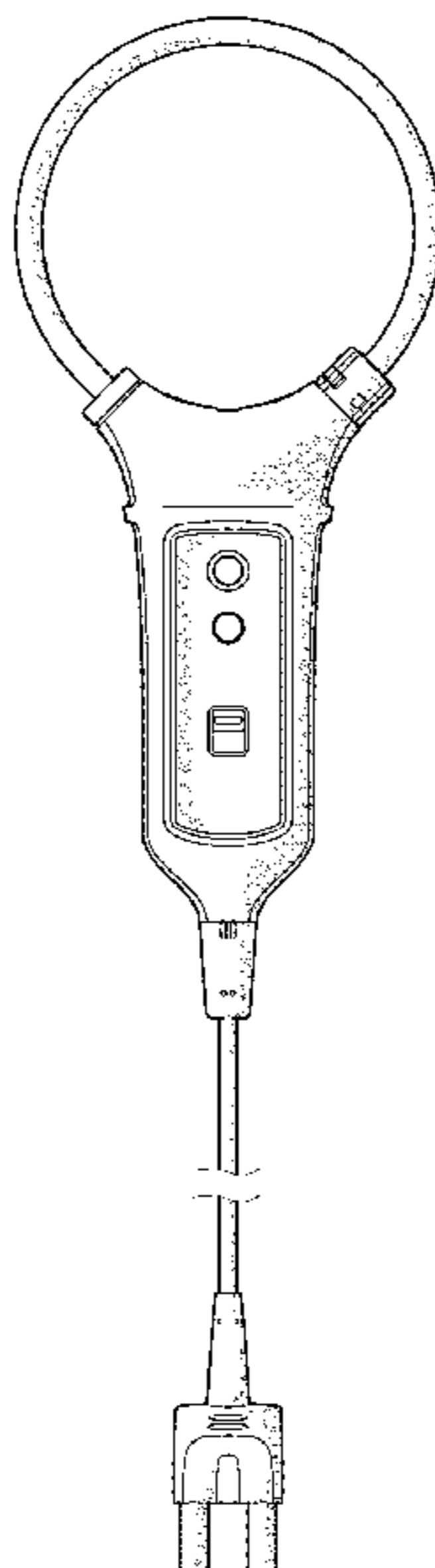
FIG. 4 is a right side elevational view thereof.

FIG. 5 is a top plan view thereof.

FIG. 6 is a bottom plan view thereof; and,

FIG. 7 is a bottom, front left perspective view thereof.

1 Claim, 7 Drawing Sheets



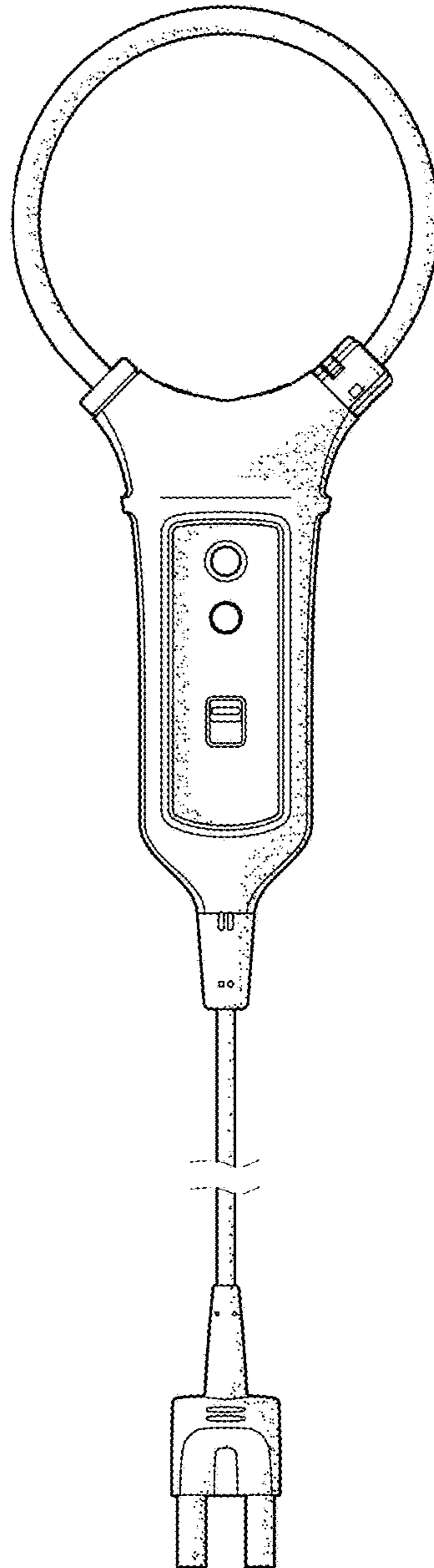


FIG. 1

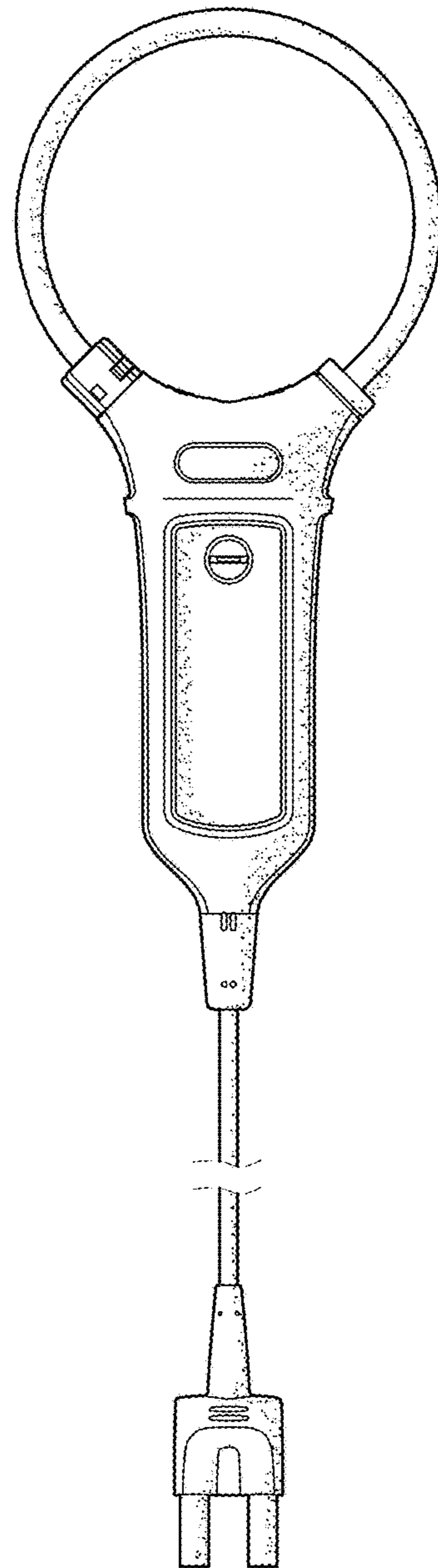


FIG. 2

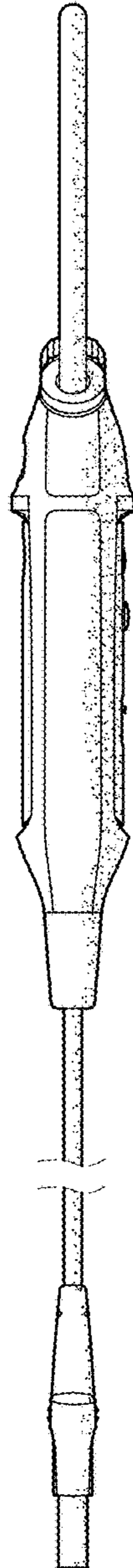


FIG. 3

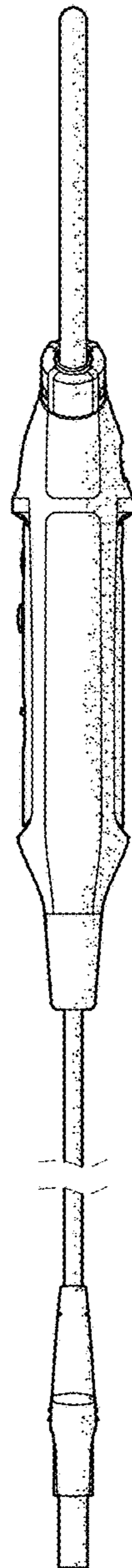


FIG. 4

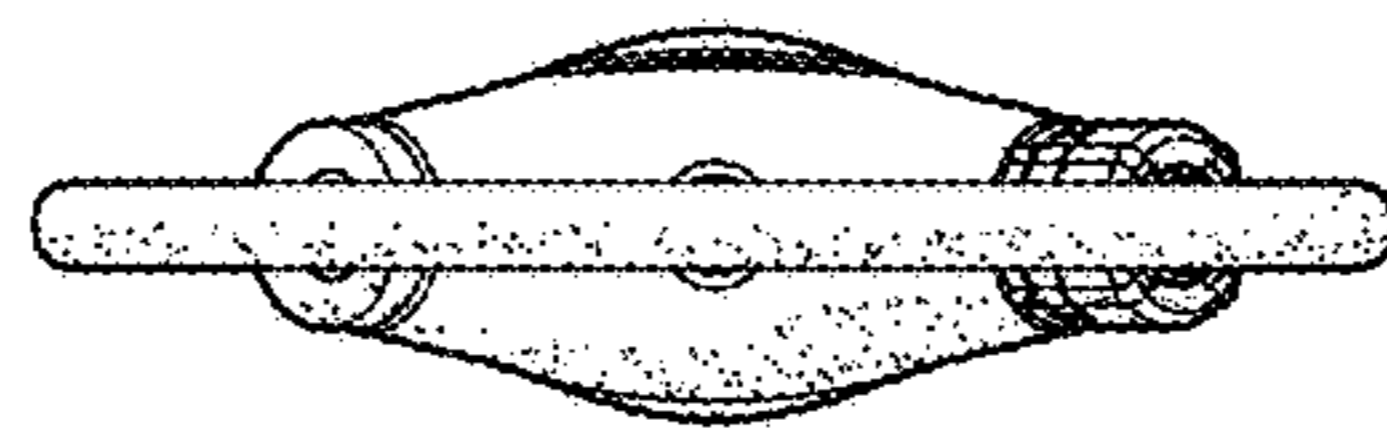


FIG.5

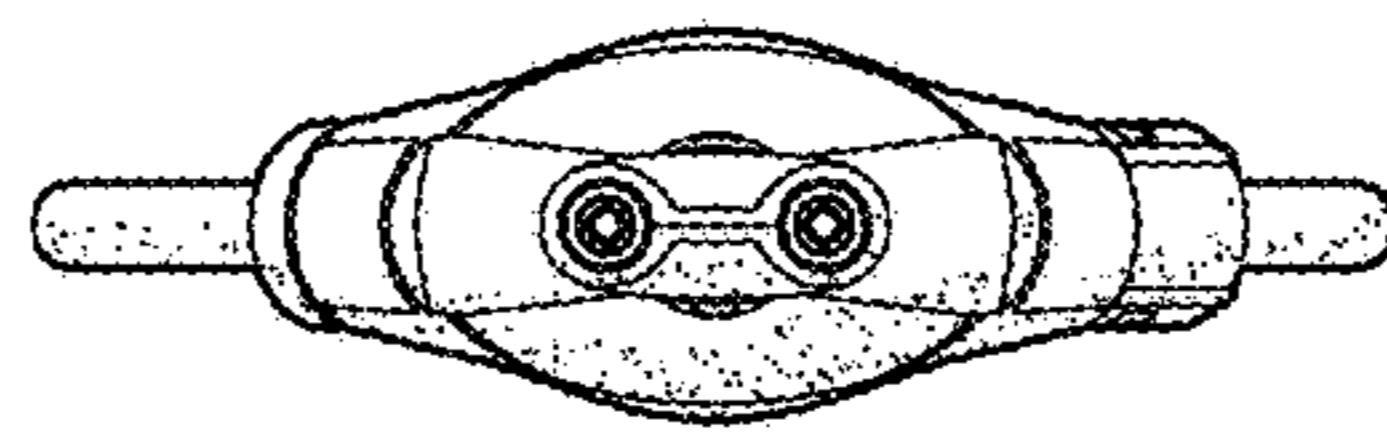


FIG.6

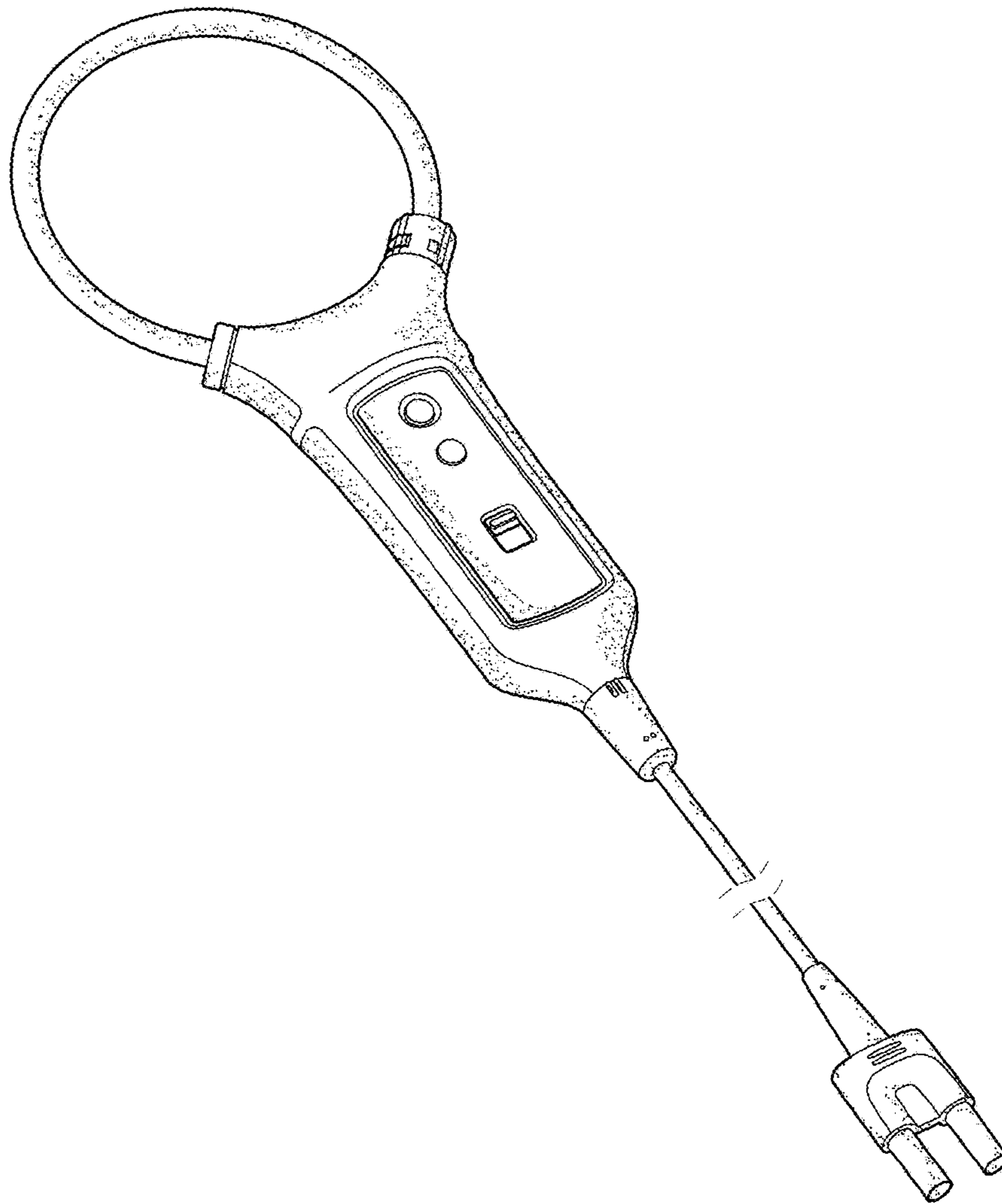


FIG.7