



US00D852658S

(12) **United States Design Patent**  
**Barth et al.**

(10) **Patent No.:** **US D852,658 S**  
(45) **Date of Patent:** **\*\* Jul. 2, 2019**

(54) **MODULE OF A MODULAR CURRENT MONITORING SYSTEM**

(71) Applicant: **Murrelektronik GmbH**, Oppenweiler (DE)

(72) Inventors: **Guenter Barth**, Fichtenberg (DE); **Angelo Algeri**, Flein (DE); **Patrick Carretero Aquilar**, Gemmrigheim (DE)

(73) Assignee: **Murrelektronik GmbH**, Oppenweiler (DE)

(\*\*) Term: **15 Years**

(21) Appl. No.: **29/613,792**

(22) Filed: **Aug. 14, 2017**

(51) **LOC (11) Cl.** ..... **10-04**

(52) **U.S. Cl.**  
USPC ..... **D10/75**

(58) **Field of Classification Search**  
USPC ..... **D10/75**

(Continued)

(56) **References Cited**

**U.S. PATENT DOCUMENTS**

D377,339 S \* 1/1997 Beruscha ..... D10/75  
D798,171 S \* 9/2017 Blier ..... D10/75

\* cited by examiner

*Primary Examiner* — Antoine Duval Davis

(74) *Attorney, Agent, or Firm* — Walter Ottesen, P.A.

(57) **CLAIM**

The ornamental design for a module of a modular current monitoring system, as shown and described.

**DESCRIPTION**

FIG. 1 is a first perspective view of a first embodiment of a module of a modular current monitoring system of our new design;

FIG. 2 is a second perspective view of the module of FIG. 1;

FIG. 3 is a third perspective view of the module of FIG. 1;

FIG. 4 is a top plan view of the module of FIG. 1;

FIG. 5 is a bottom plan view of the module of FIG. 1;

FIG. 6 is a front elevation view of the module of FIG. 1;

FIG. 7 is a rear elevation view of the module of FIG. 1;

FIG. 8 is a left side elevation view of the module of FIG. 1;

FIG. 9 is a right side elevation view of the module of FIG. 1;

FIG. 10 is a first perspective view of a second embodiment of a module of a modular current monitoring system of our new design;

FIG. 11 is a second perspective view of the module of FIG. 10;

FIG. 12 is a third perspective view of the module of FIG. 10;

FIG. 13 is a top plan view of the module of FIG. 10;

FIG. 14 is a bottom plan view of the module of FIG. 10;

FIG. 15 is a front elevation view of the module of FIG. 10;

FIG. 16 is a rear elevation view of the module of FIG. 10;

FIG. 17 is a left side elevation view of the module of FIG. 10;

FIG. 18 is a right side elevation view of the module of FIG. 10;

FIG. 19 is a first perspective view of a third embodiment of a module of a modular current monitoring system of our new design;

FIG. 20 is a second perspective view of the module of FIG. 19;

FIG. 21 is a third perspective view of the module of FIG. 19;

FIG. 22 is a top plan view of the module of FIG. 19;

FIG. 23 is a bottom plan view of the module of FIG. 19;

FIG. 24 is a front elevation view of the module of FIG. 19;

FIG. 25 is a rear elevation view of the module of FIG. 19;

FIG. 26 is a left side elevation view of the module of FIG. 19;

FIG. 27 is a right side elevation view of the module of FIG. 19;

FIG. 28 is a first perspective view of a fourth embodiment of a module of a modular current monitoring system of our new design;

FIG. 29 is a second perspective view of the module of FIG. 28;

FIG. 30 is a third perspective view of the module of FIG. 28;

(Continued)

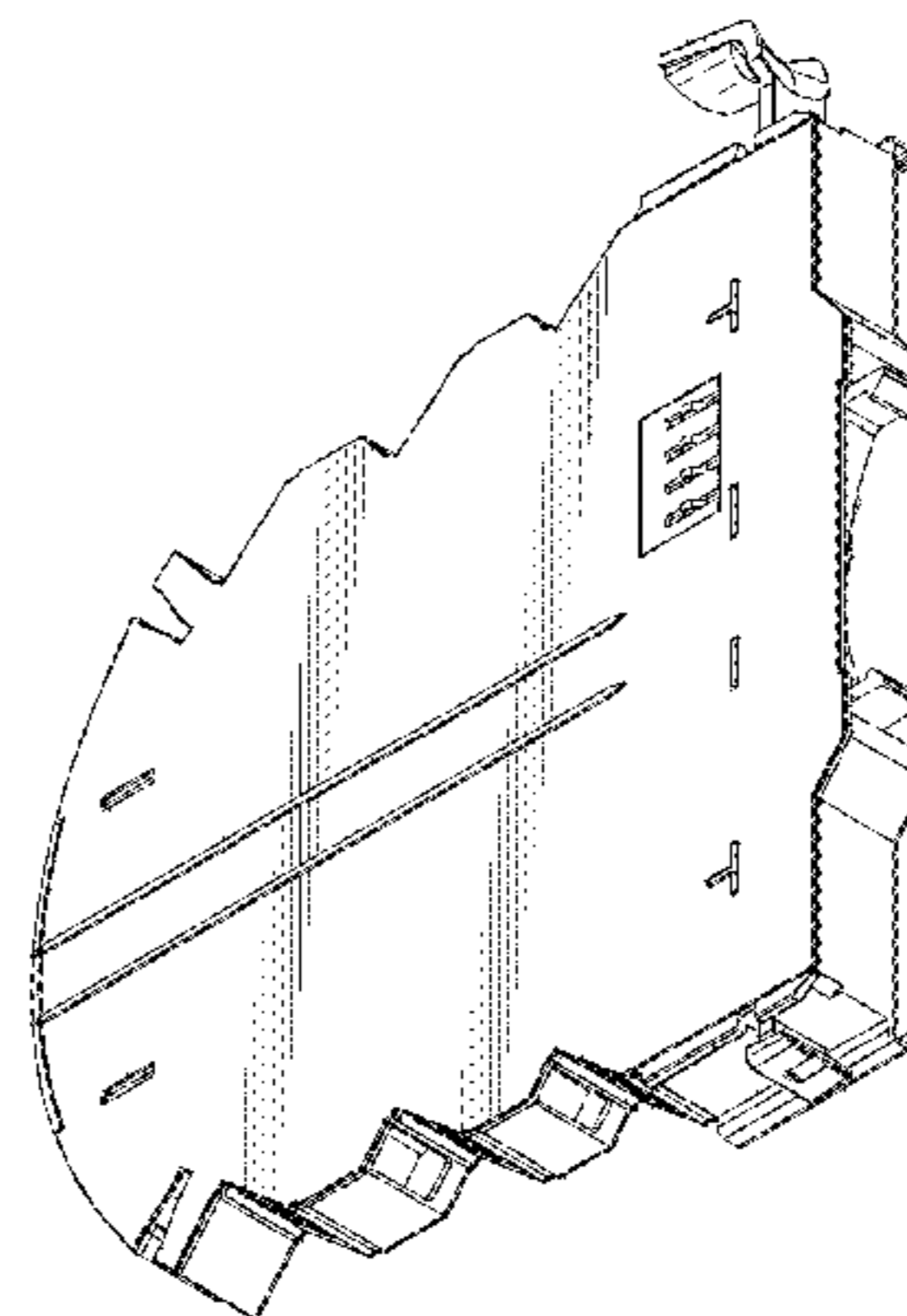
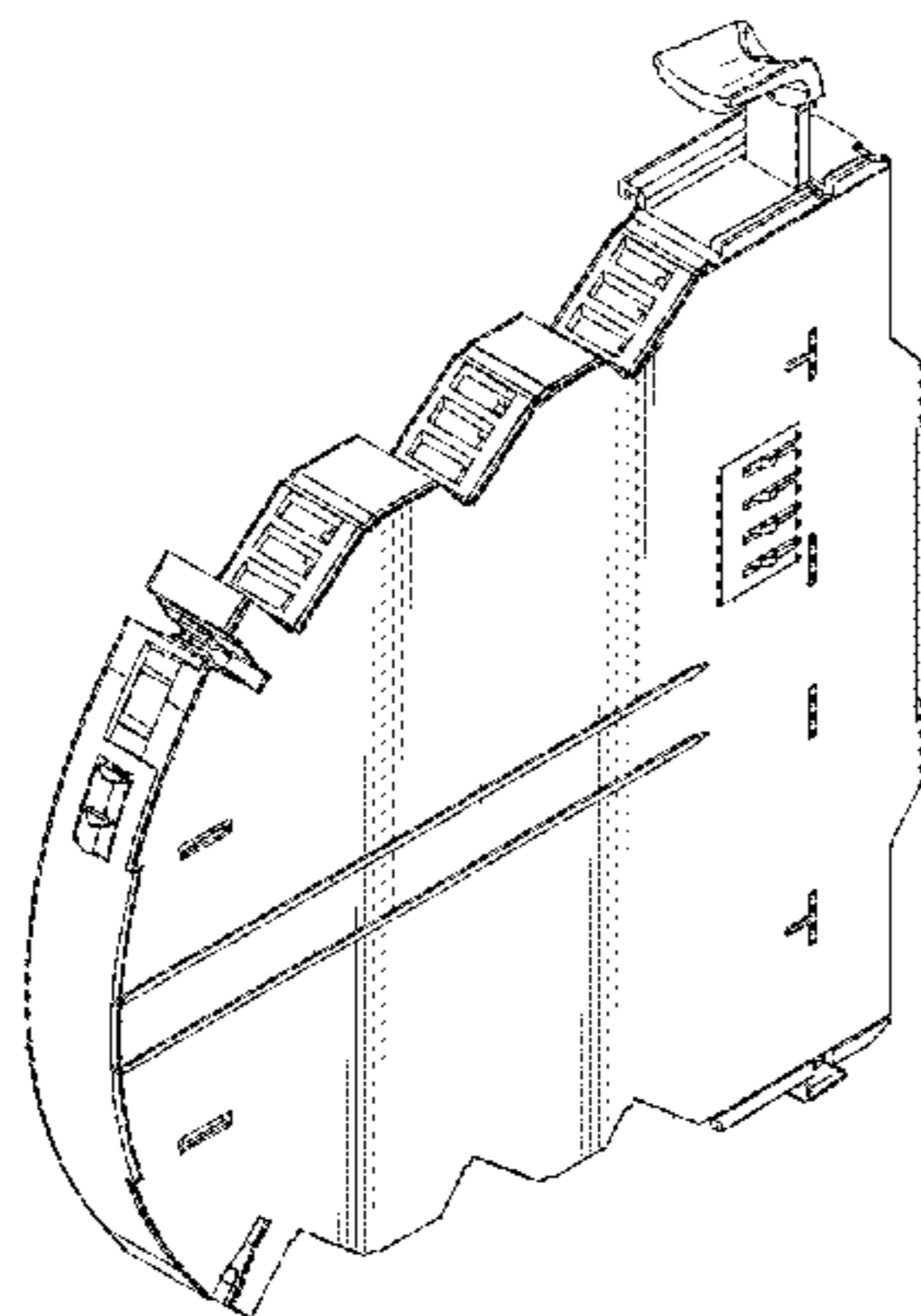


FIG. 31 is a top plan view of the module of FIG. 28;  
FIG. 32 is a bottom plan view of the module of FIG. 28;  
FIG. 33 is a front elevation view of the module of FIG. 28;  
FIG. 34 is a rear elevation view of the module of FIG. 28;  
FIG. 35 is a left side elevation view of the module of FIG. 28; and,  
FIG. 36 is a right side elevation view of the module of FIG. 28.

**1 Claim, 20 Drawing Sheets**

(58) **Field of Classification Search**

CPC ... G01R 1/00; G01R 1/02; G01R 1/04; G01R  
1/07; G01R 1/22; G01R 1/06772; G01R  
1/06788; G01R 13/407; G01R 15/205;  
G01R 15/207; G01R 15/125; G01R  
15/181; G01R 15/202; G01R 15/18;  
G01R 15/185; G01R 15/186; G01R  
15/188; G01R 15/20; G01R 15/148;  
G01R 15/183; G01R 19/003; G01R  
19/0092; H02G 5/04

See application file for complete search history.

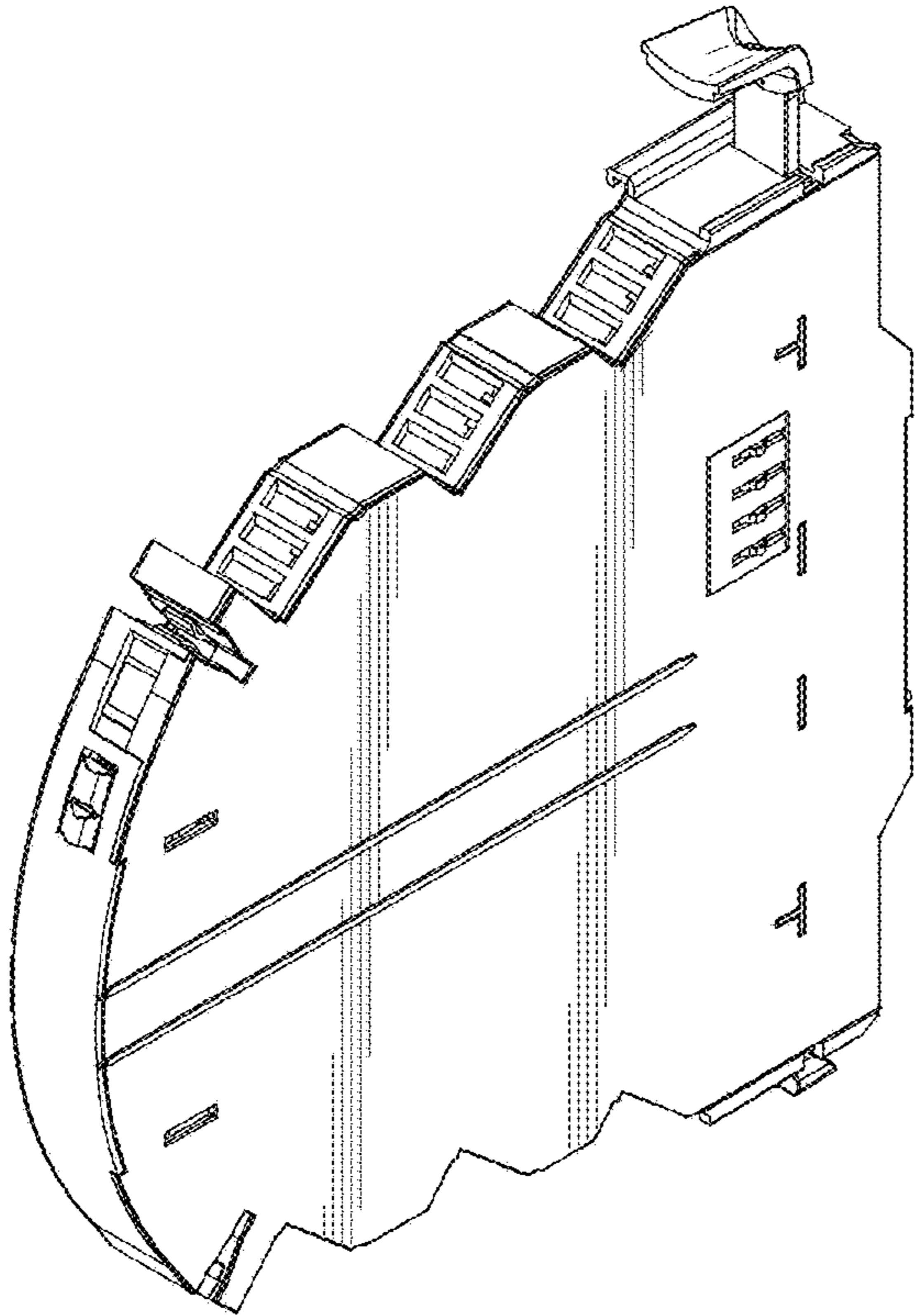
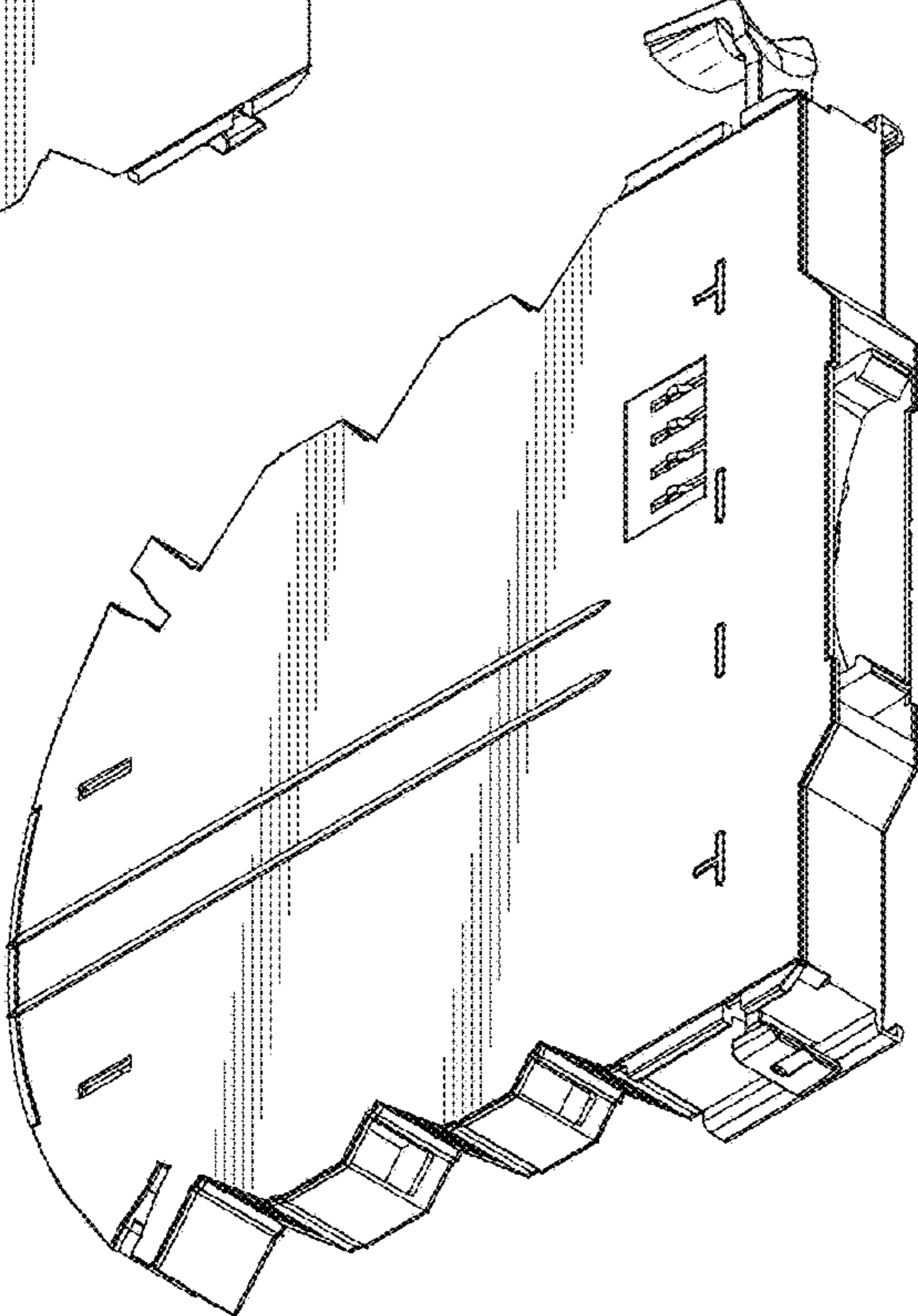


FIG. 1

FIG. 2





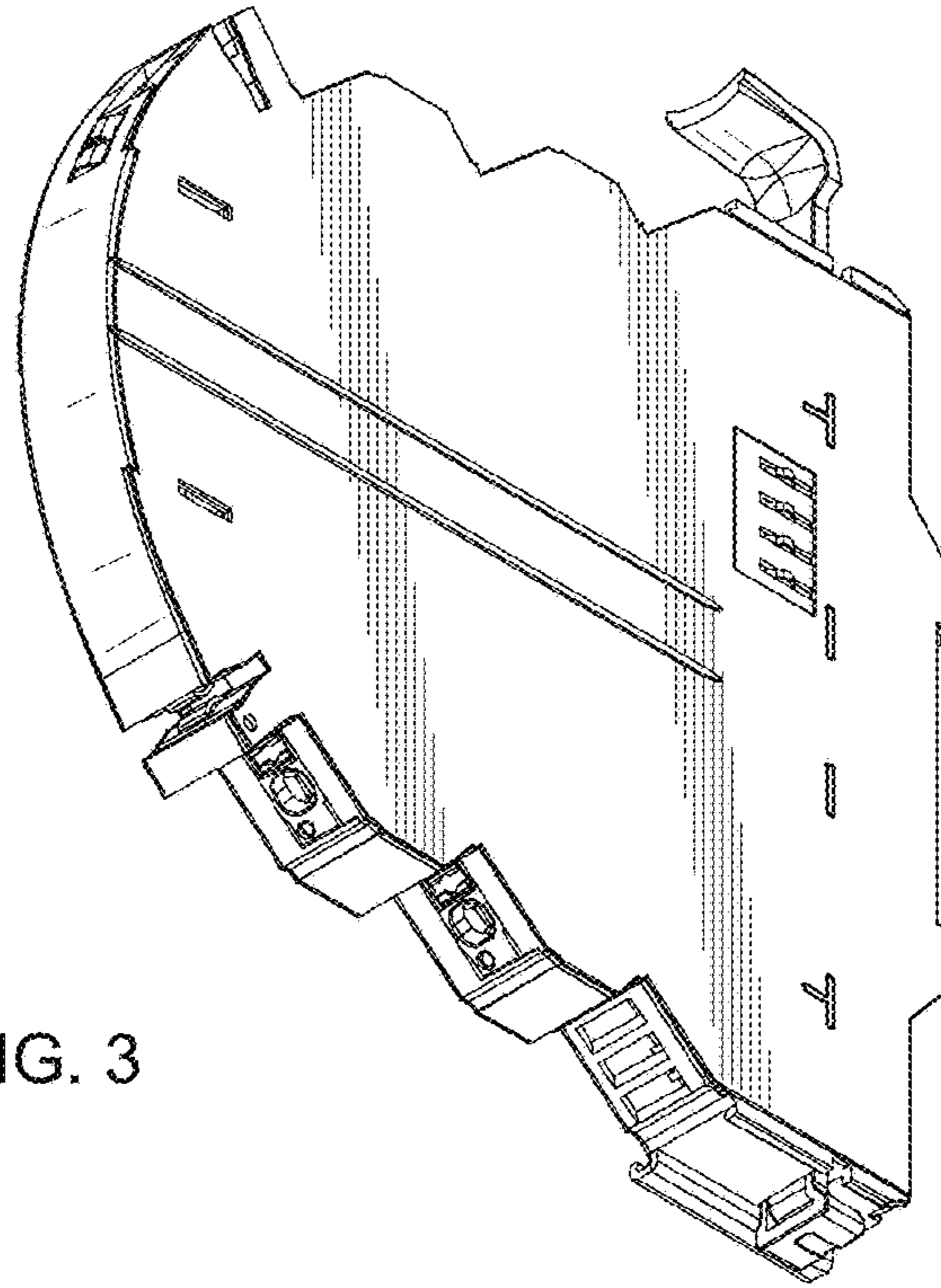


FIG. 3

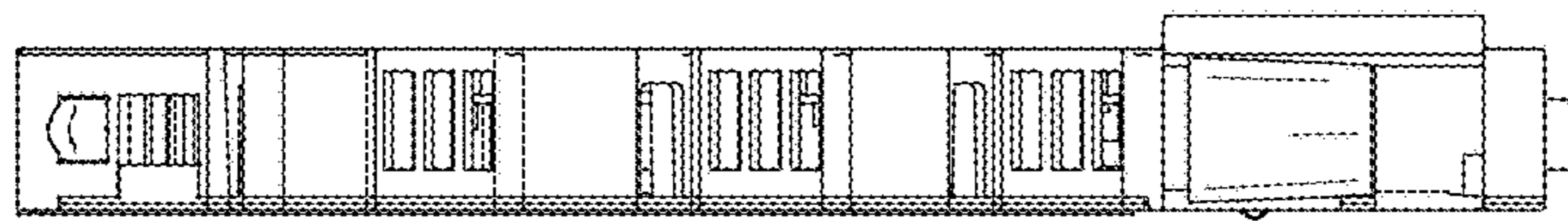


FIG. 4

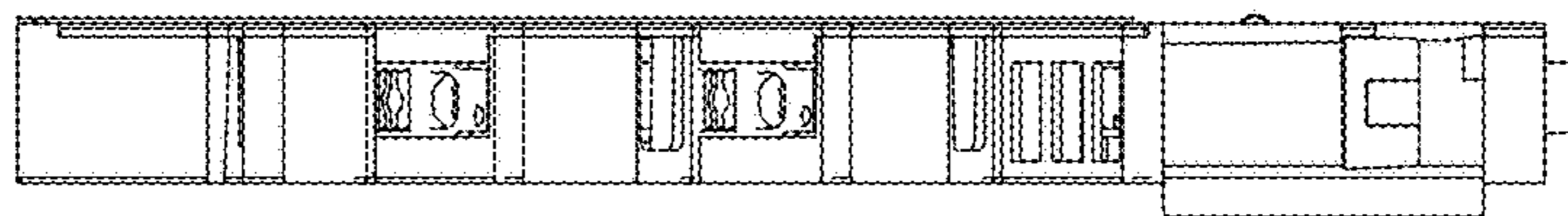


FIG. 5

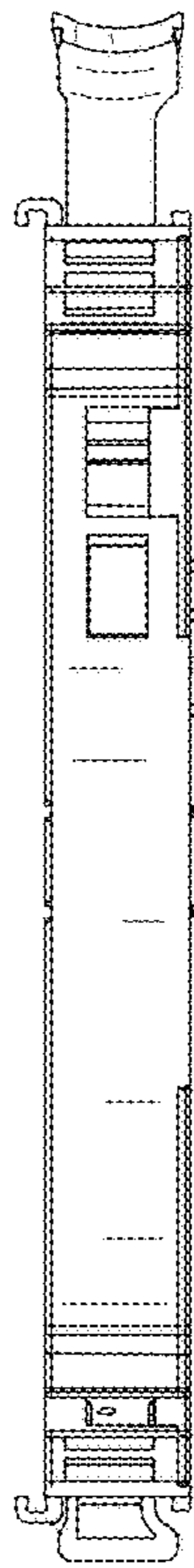


FIG. 6

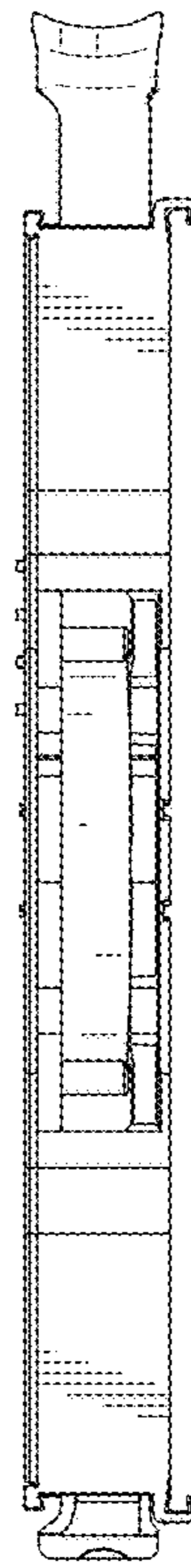


FIG. 7

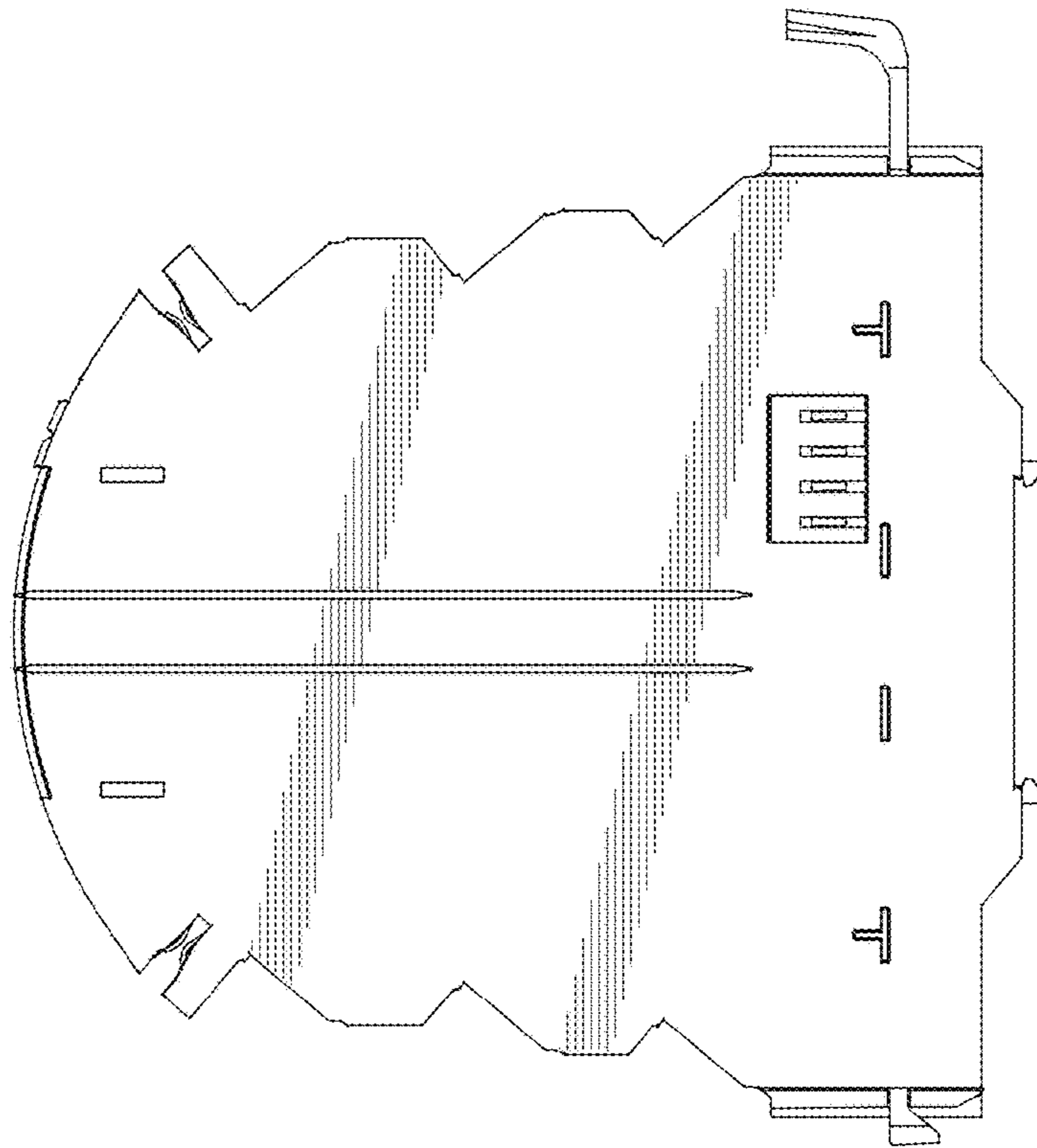


FIG. 8

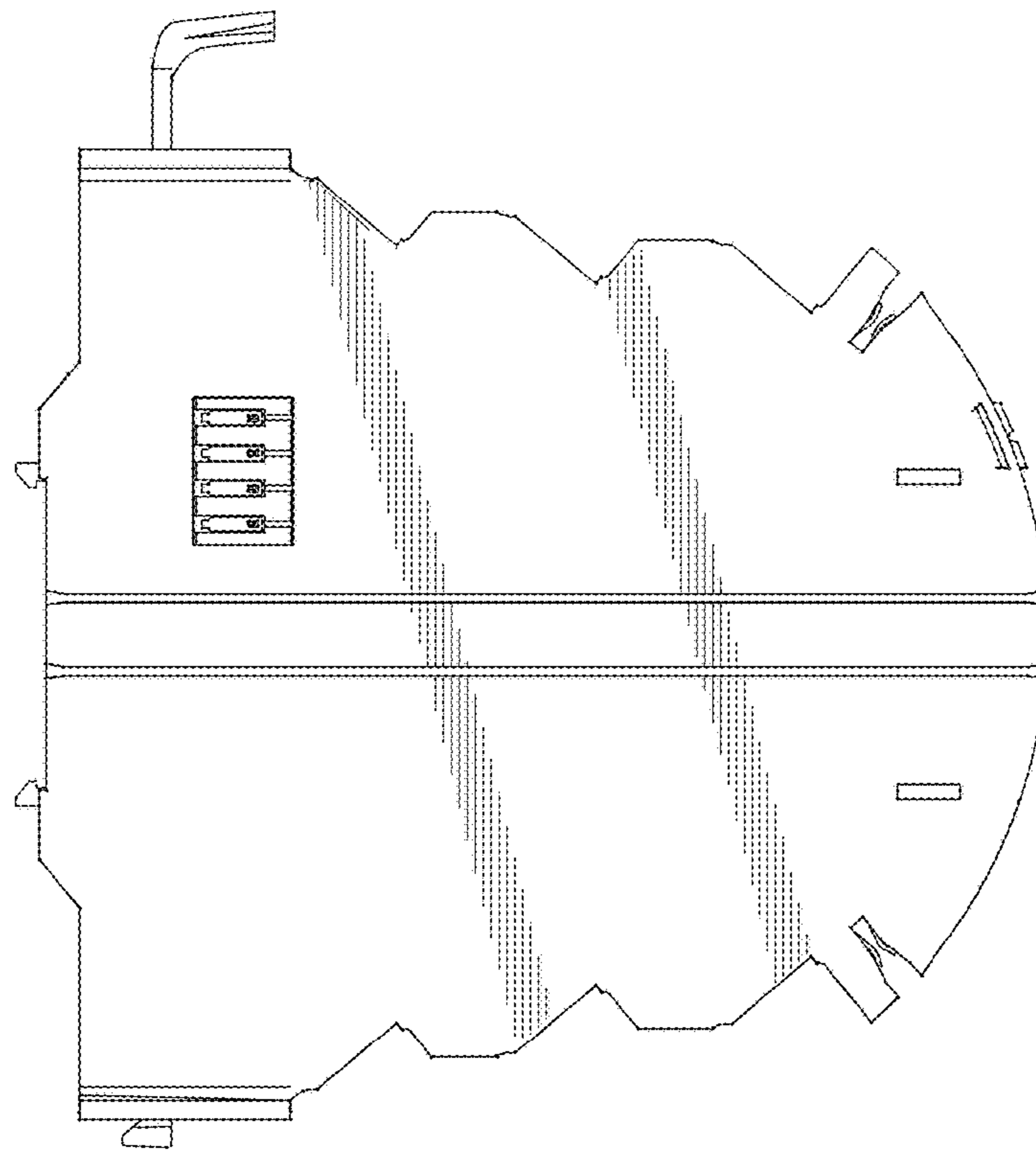


FIG. 9

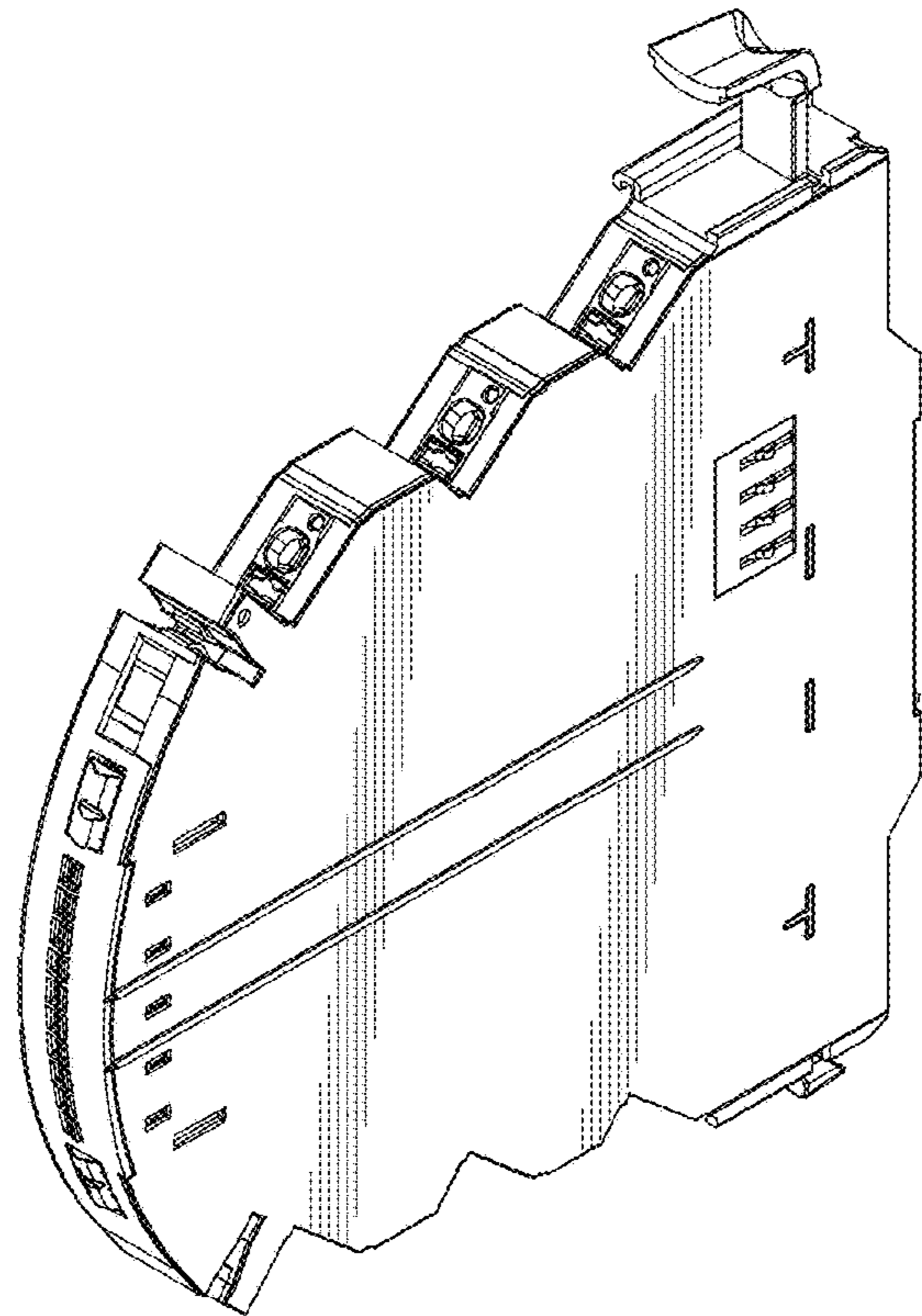
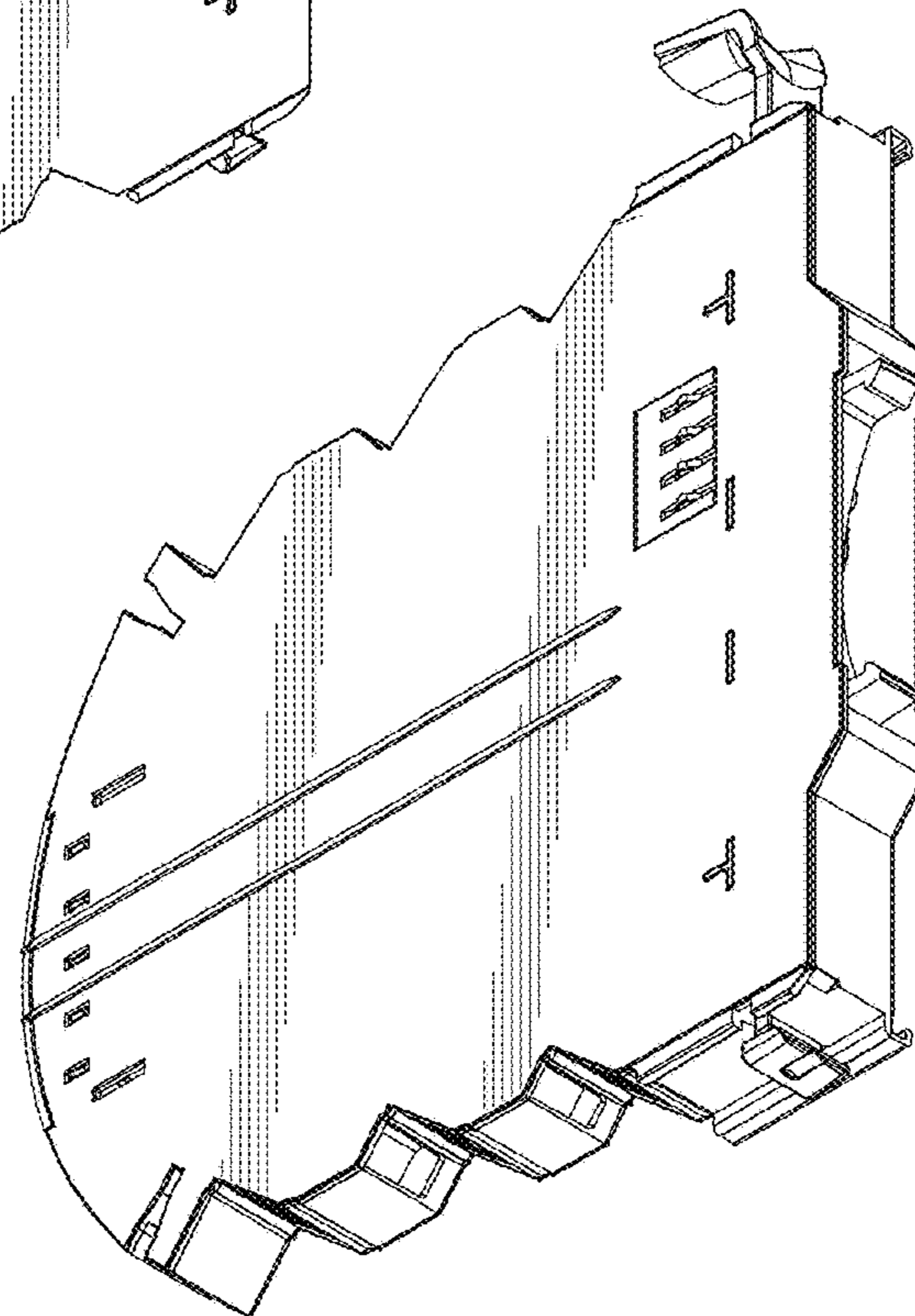


FIG. 10

FIG. 11





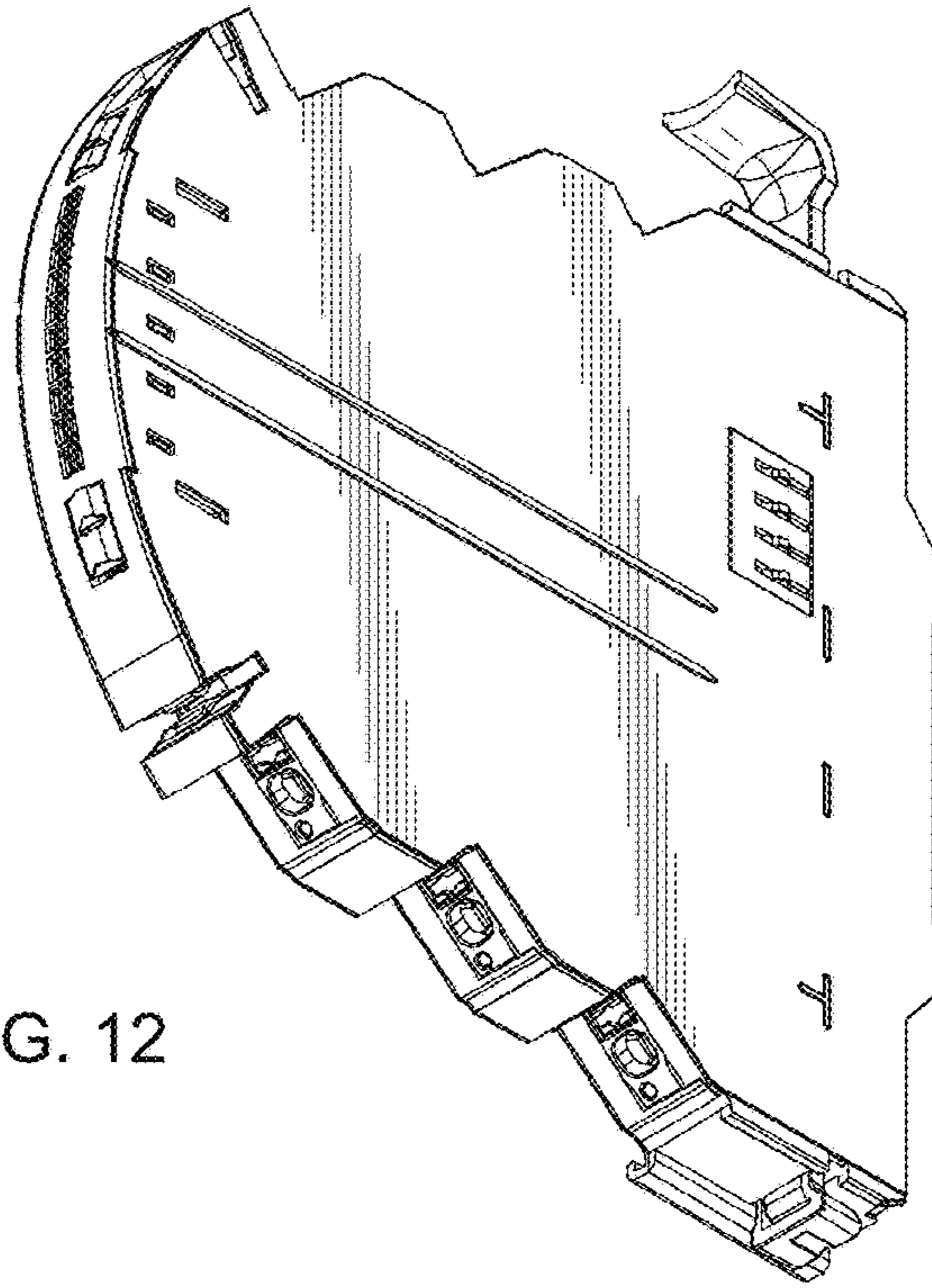


FIG. 12

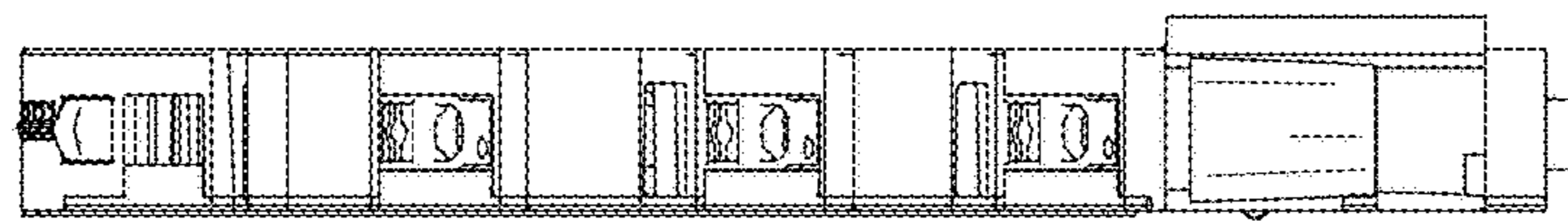


FIG. 13

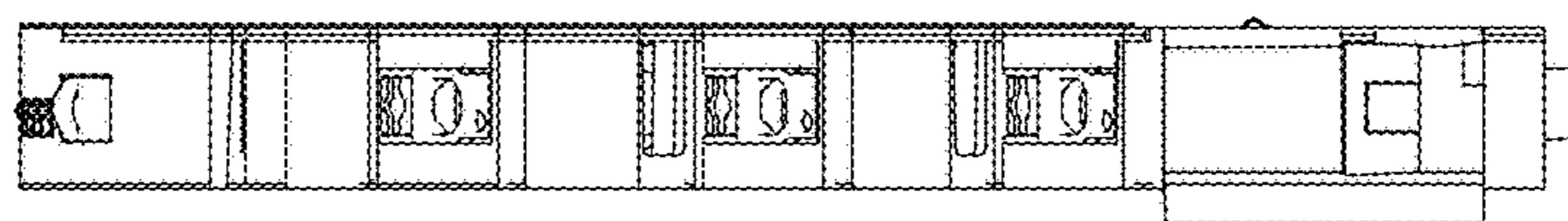


FIG. 14

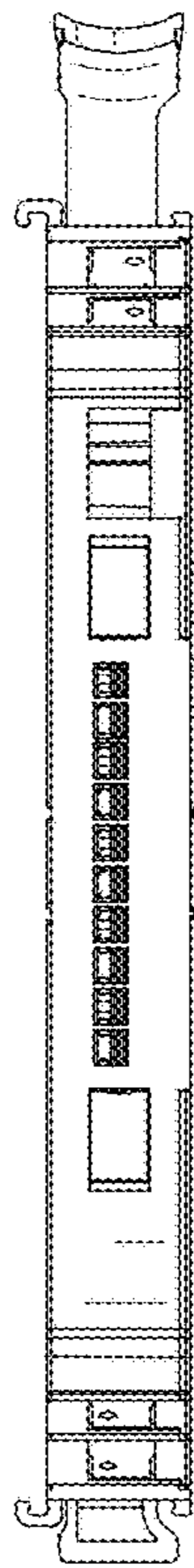


FIG. 15

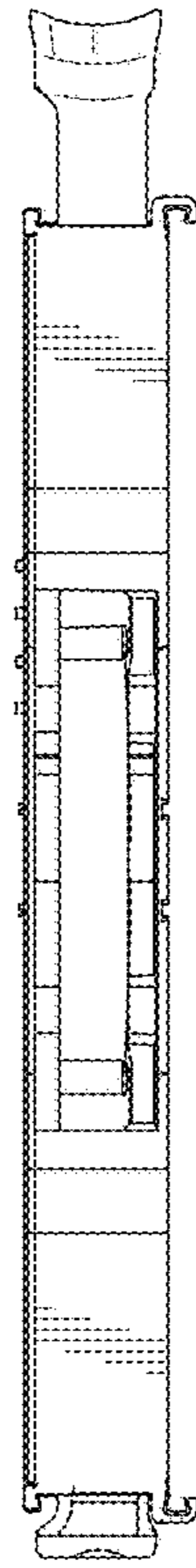


FIG. 16

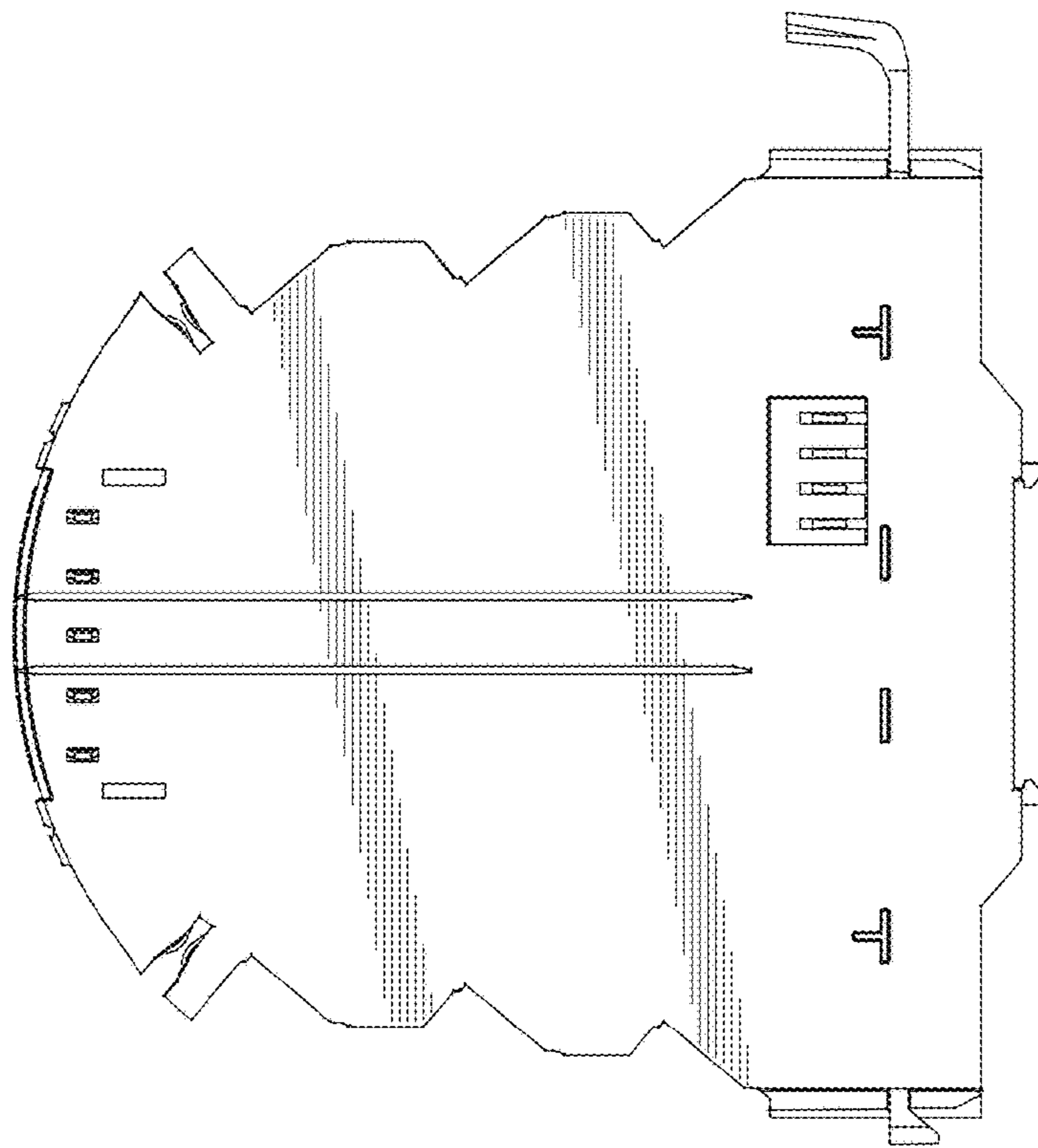


FIG. 17

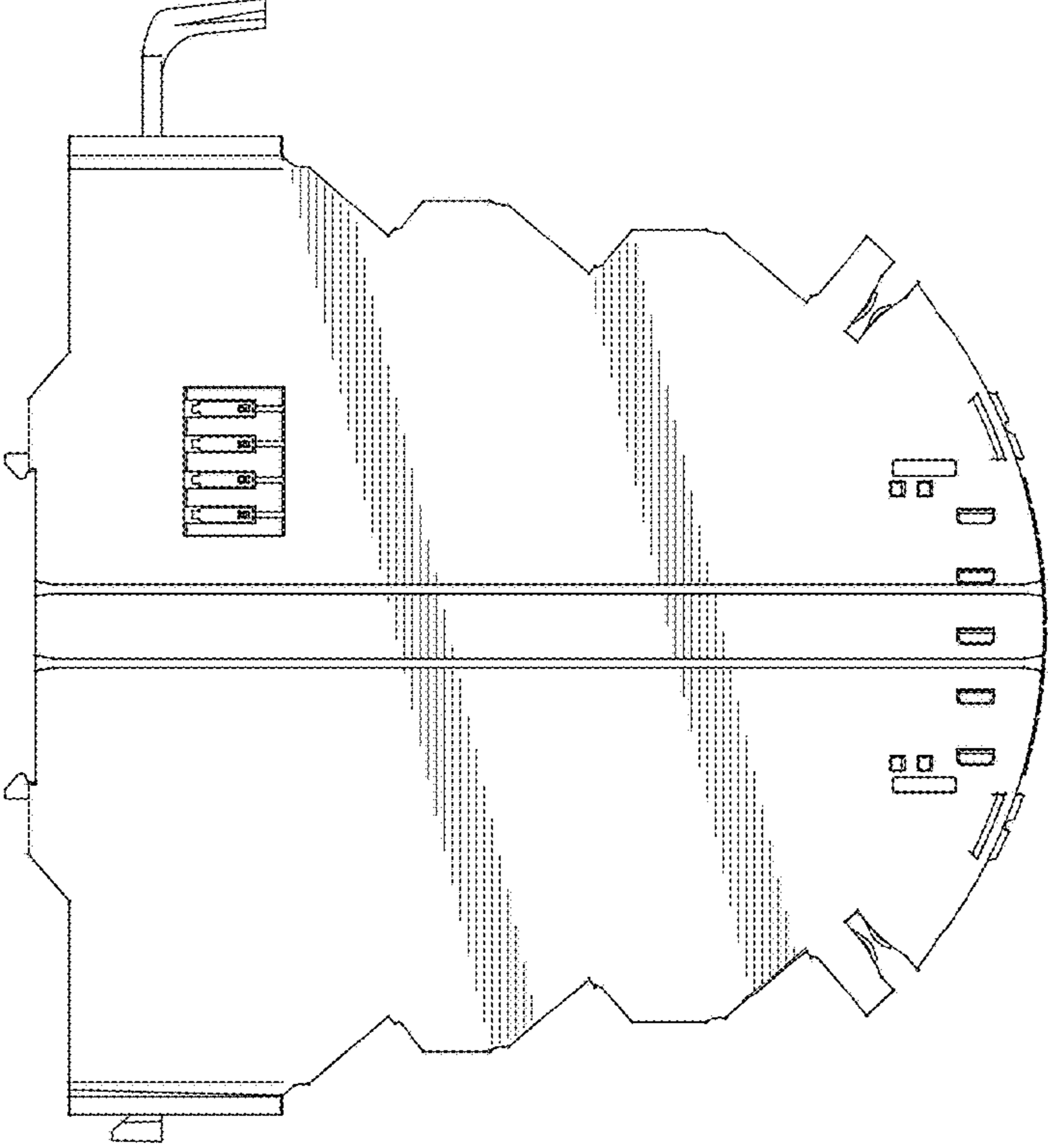


FIG. 18



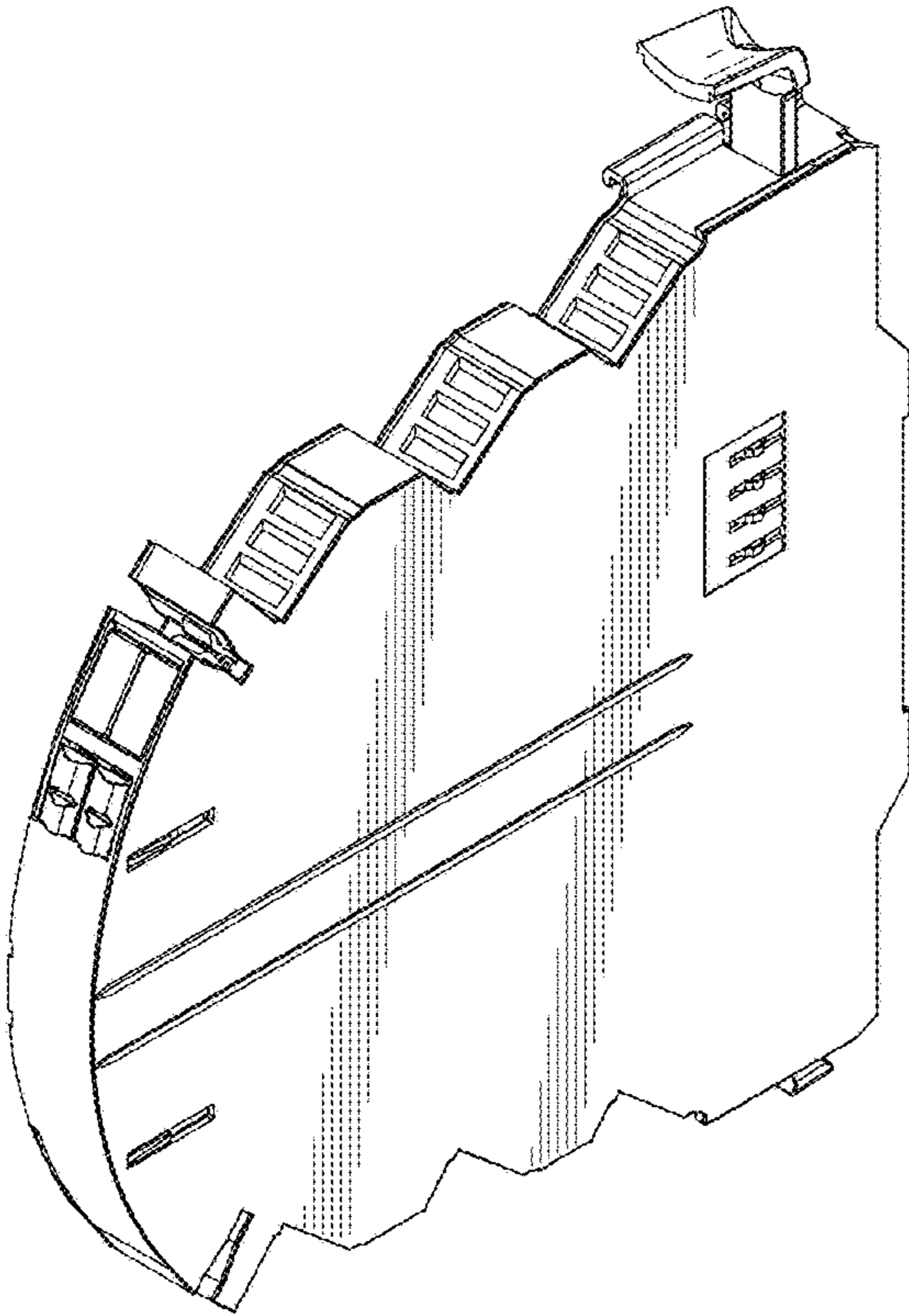


FIG. 19

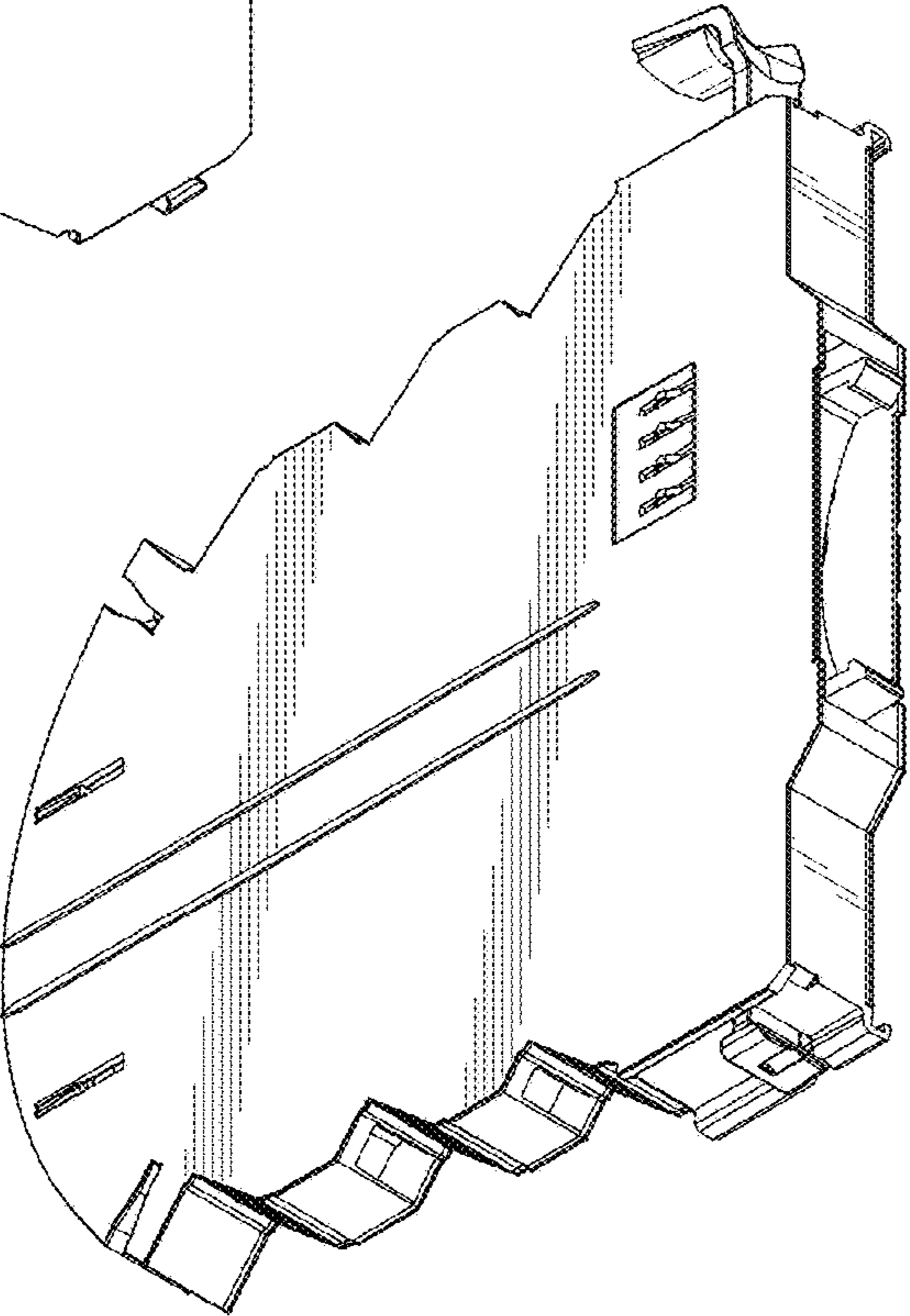


FIG. 20

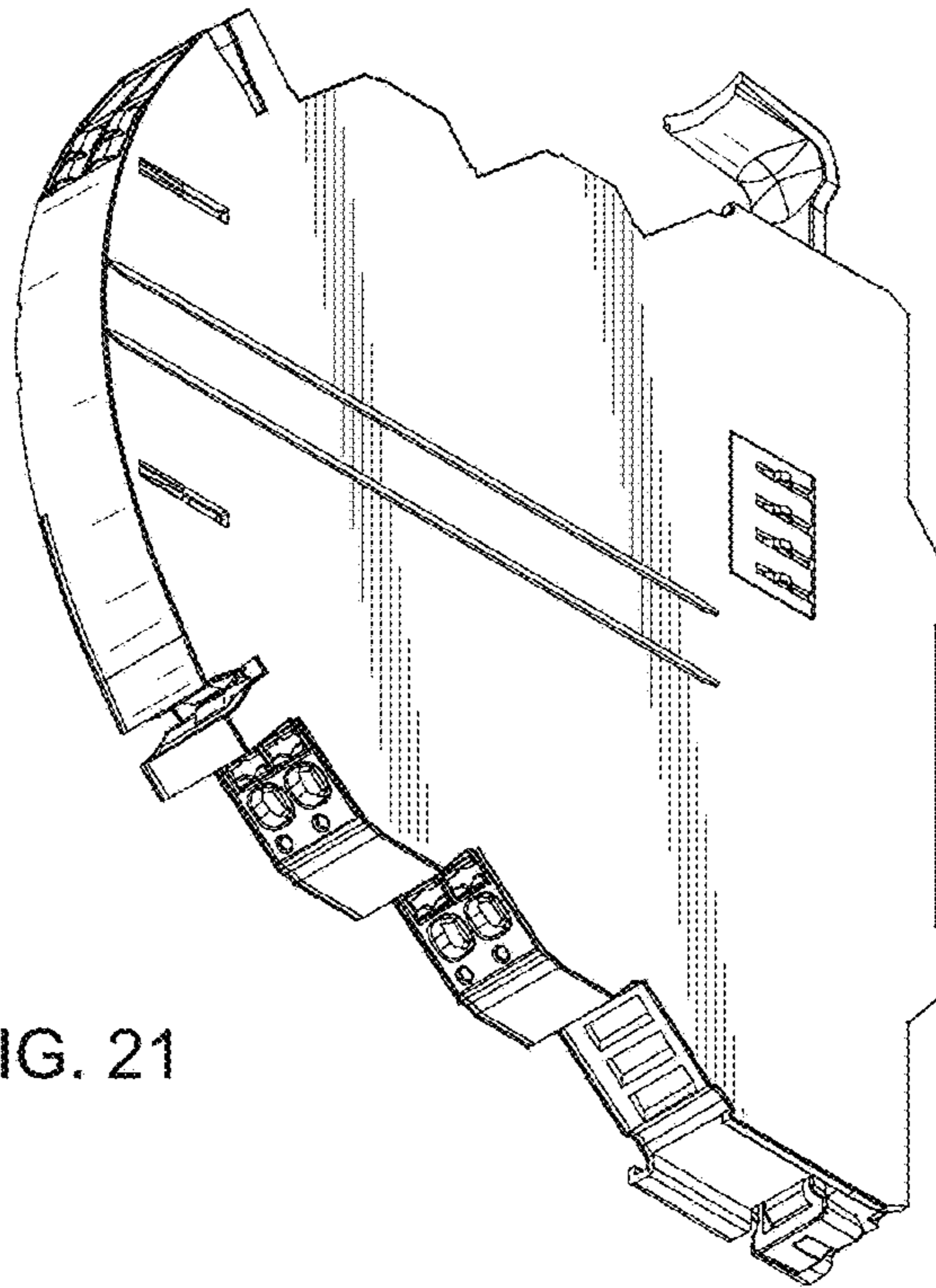


FIG. 21

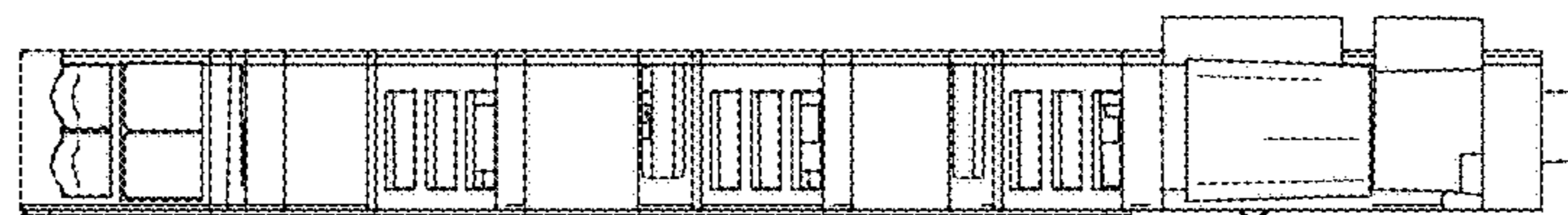


FIG. 22

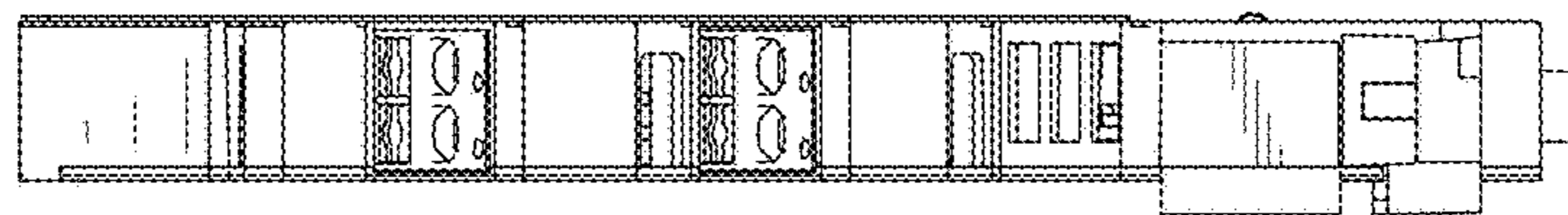


FIG. 23



FIG. 24

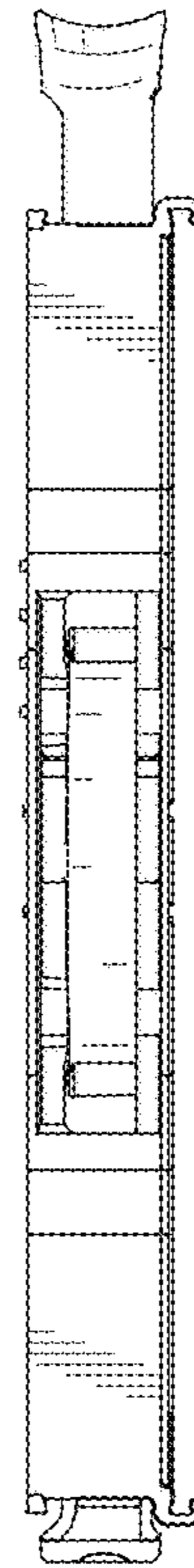


FIG. 25

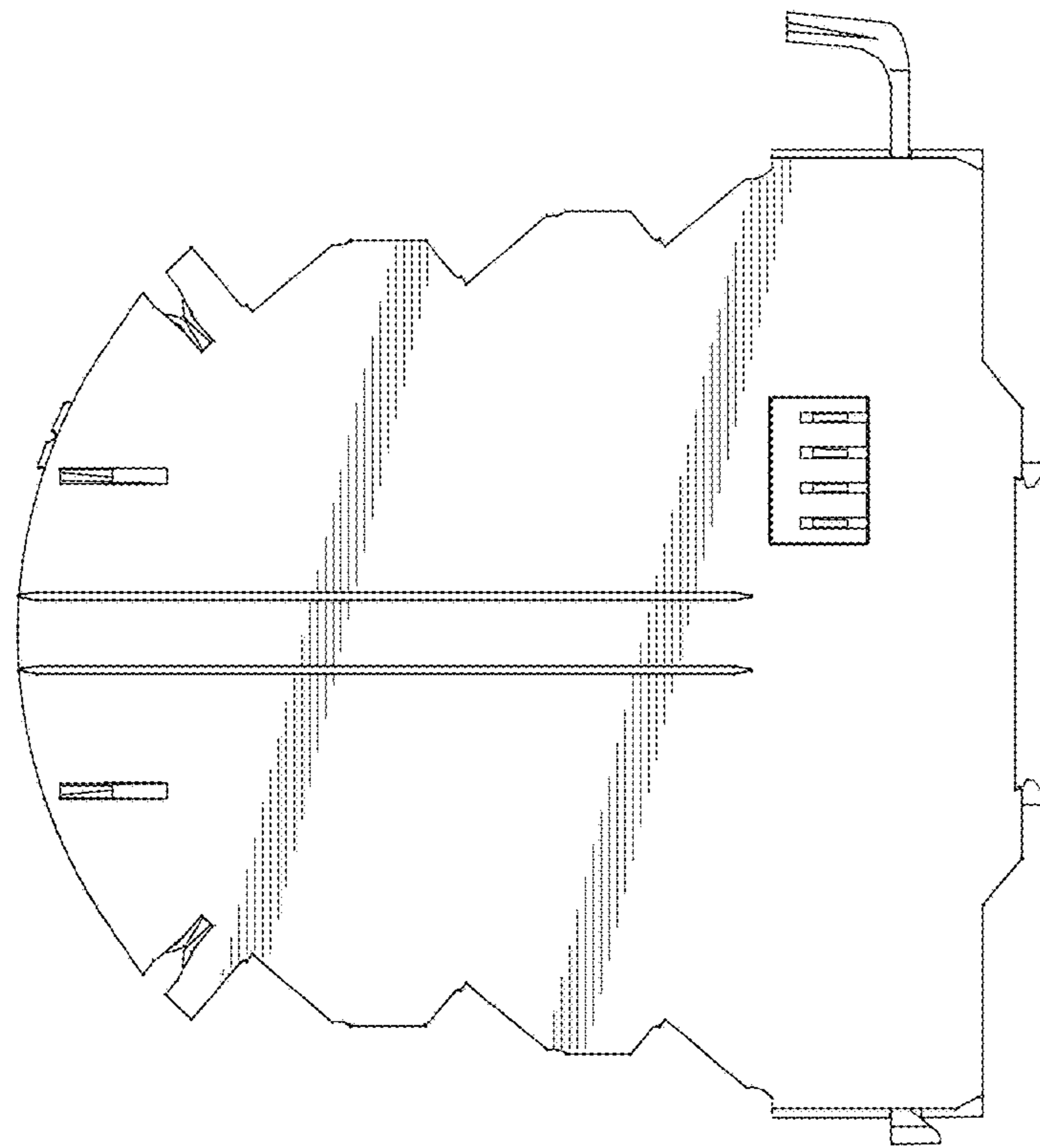


FIG. 26



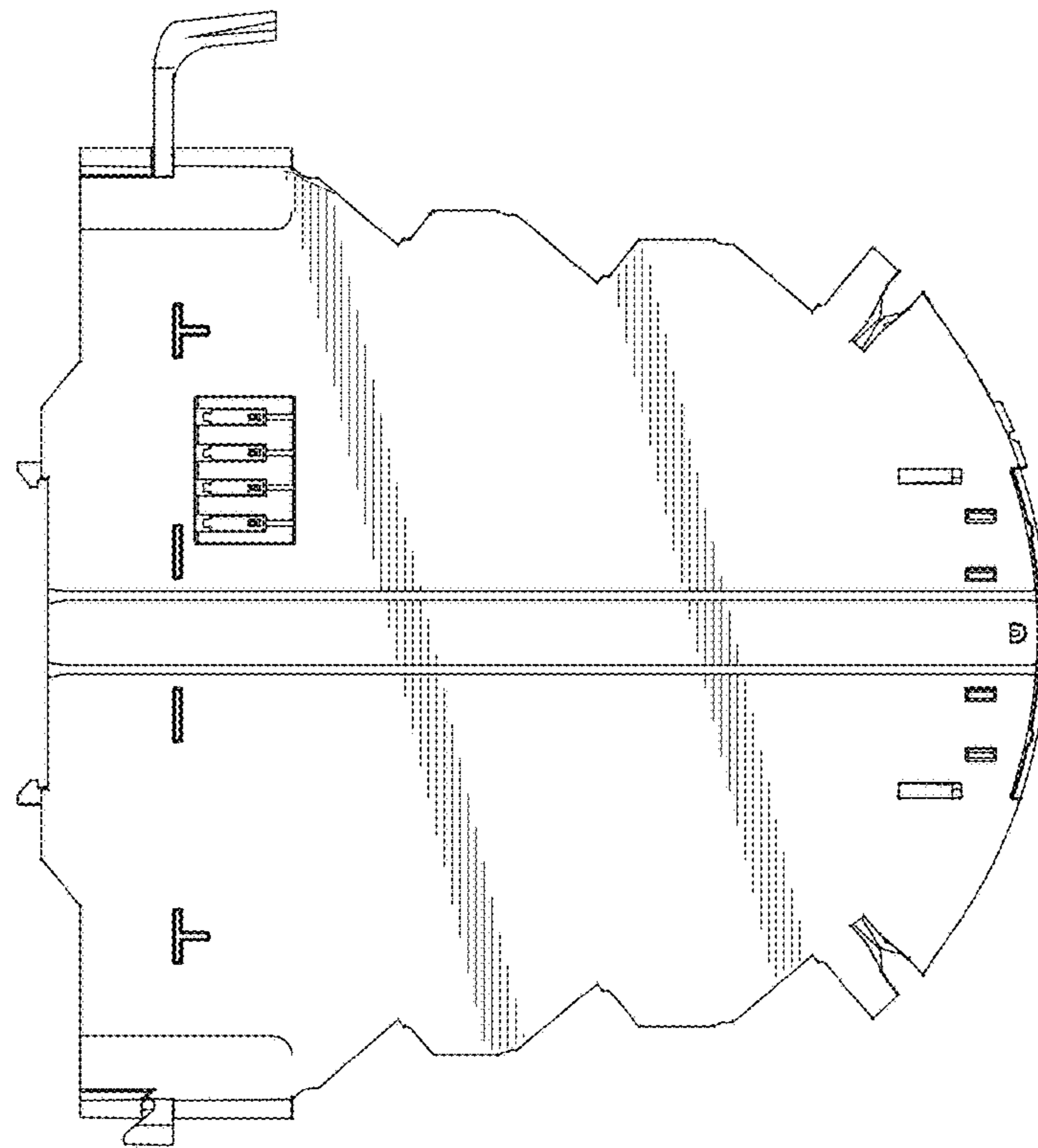


FIG. 27

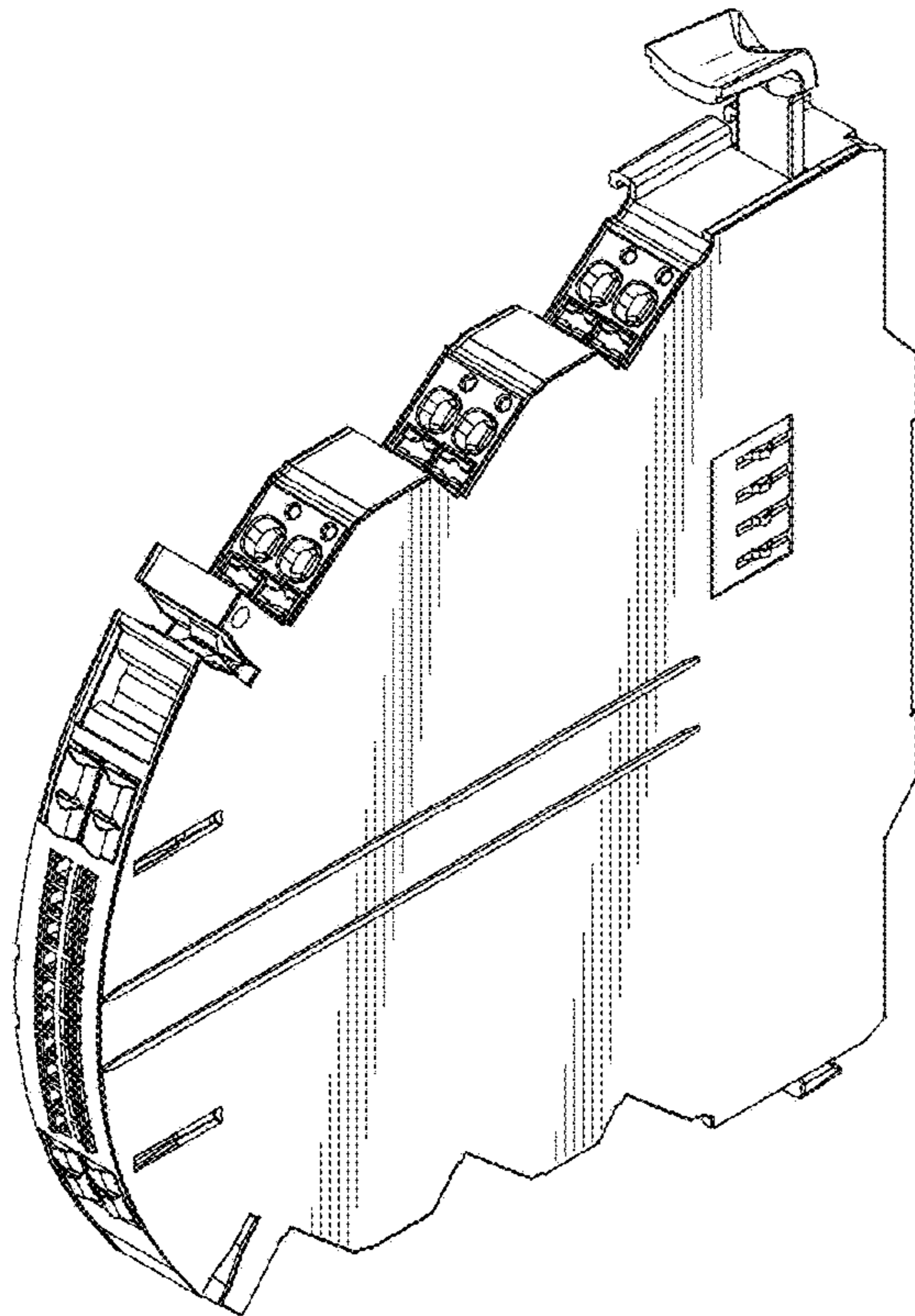
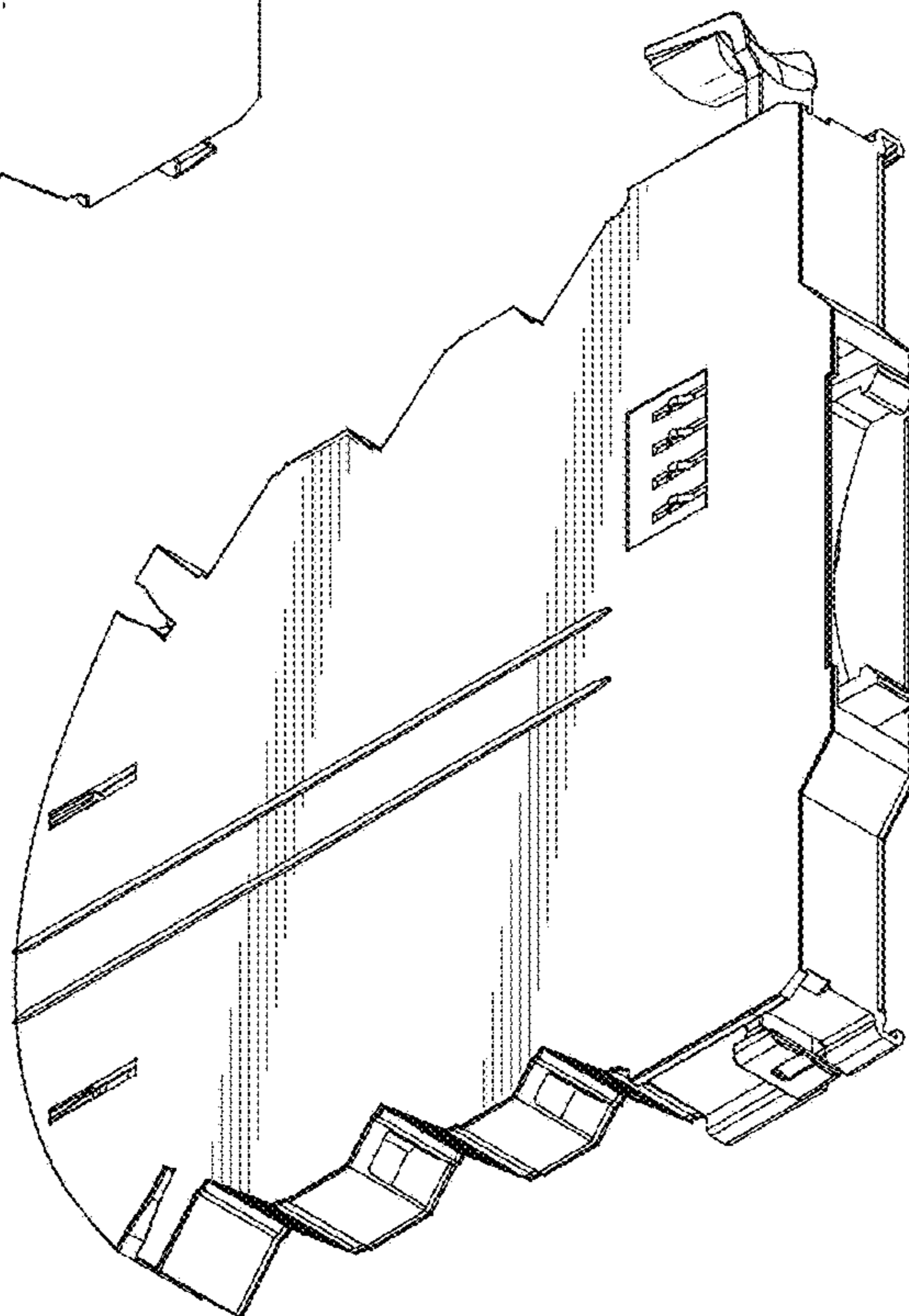


FIG. 28

FIG. 29



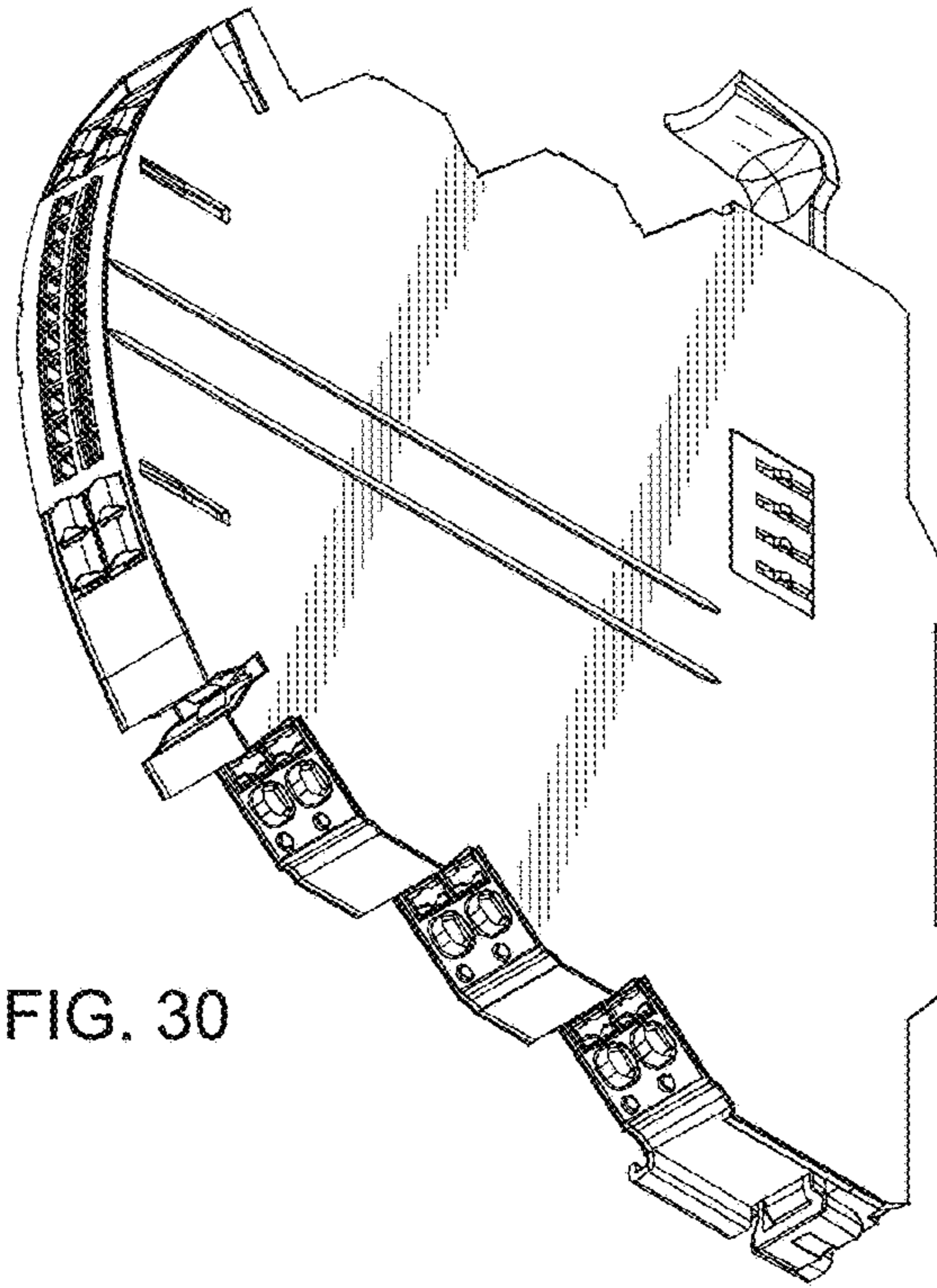


FIG. 30



FIG. 31

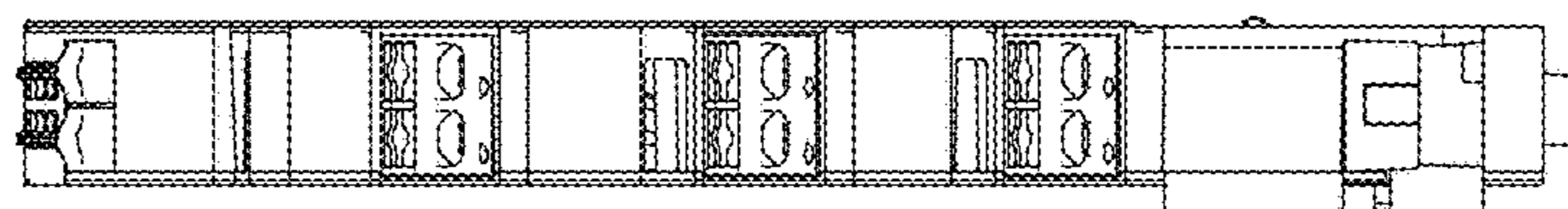


FIG. 32

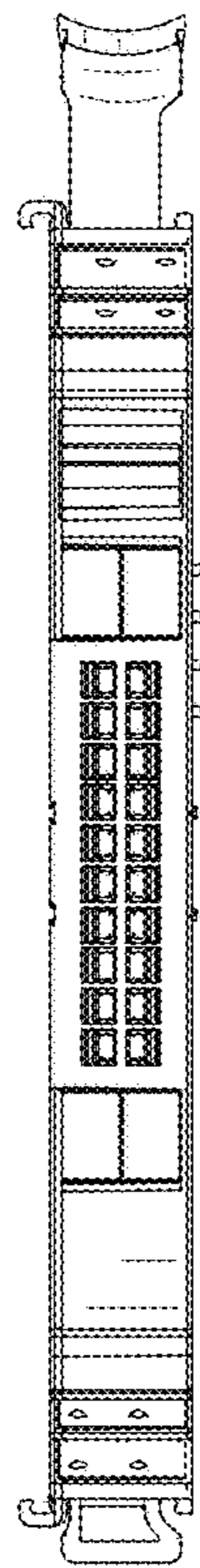


FIG. 33

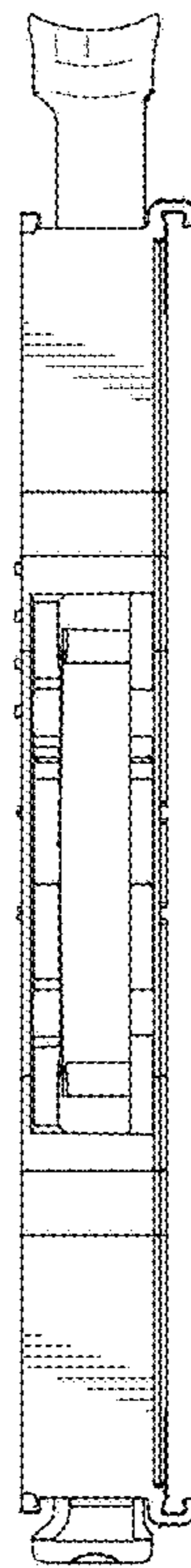


FIG. 34



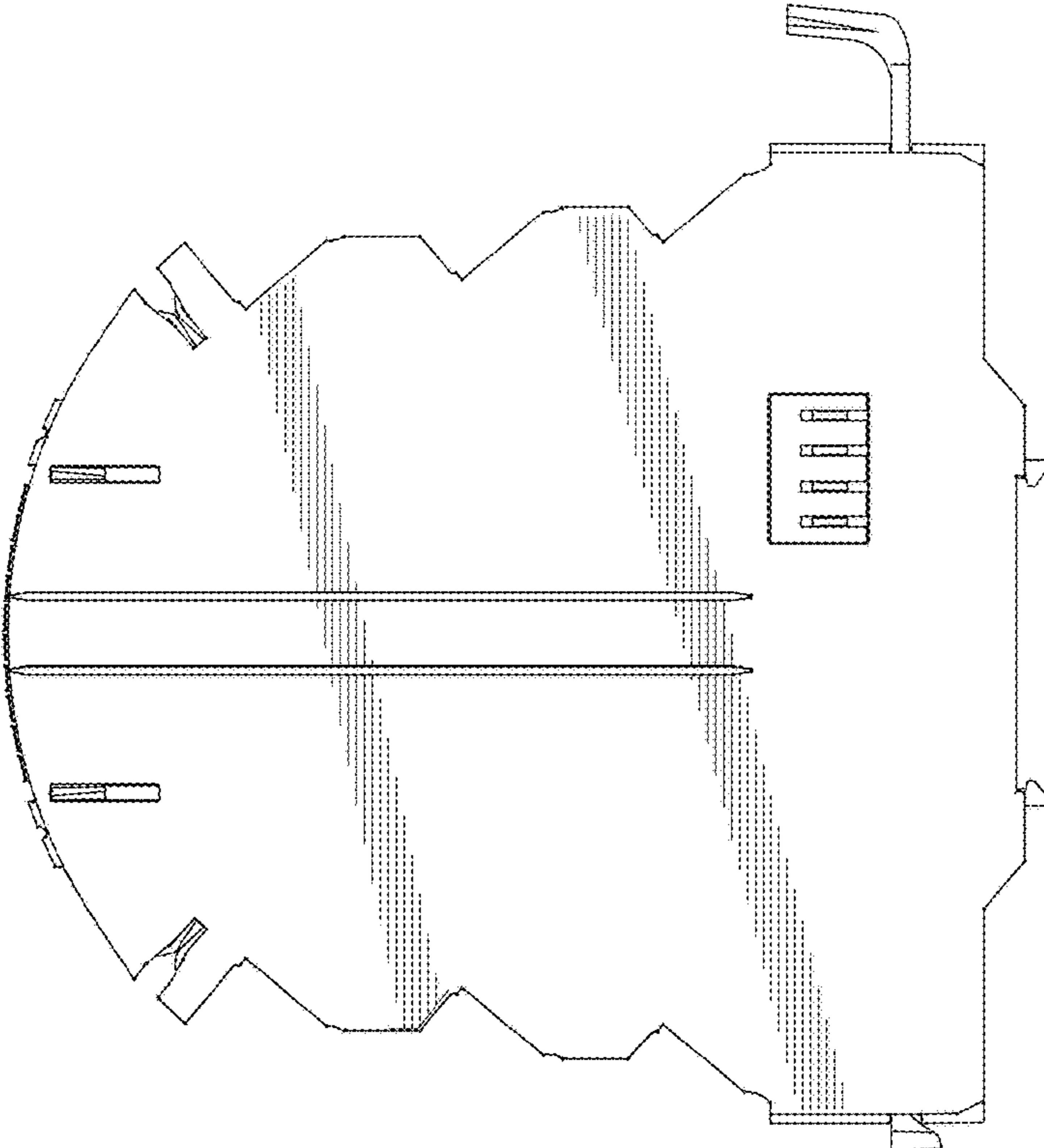


FIG. 35

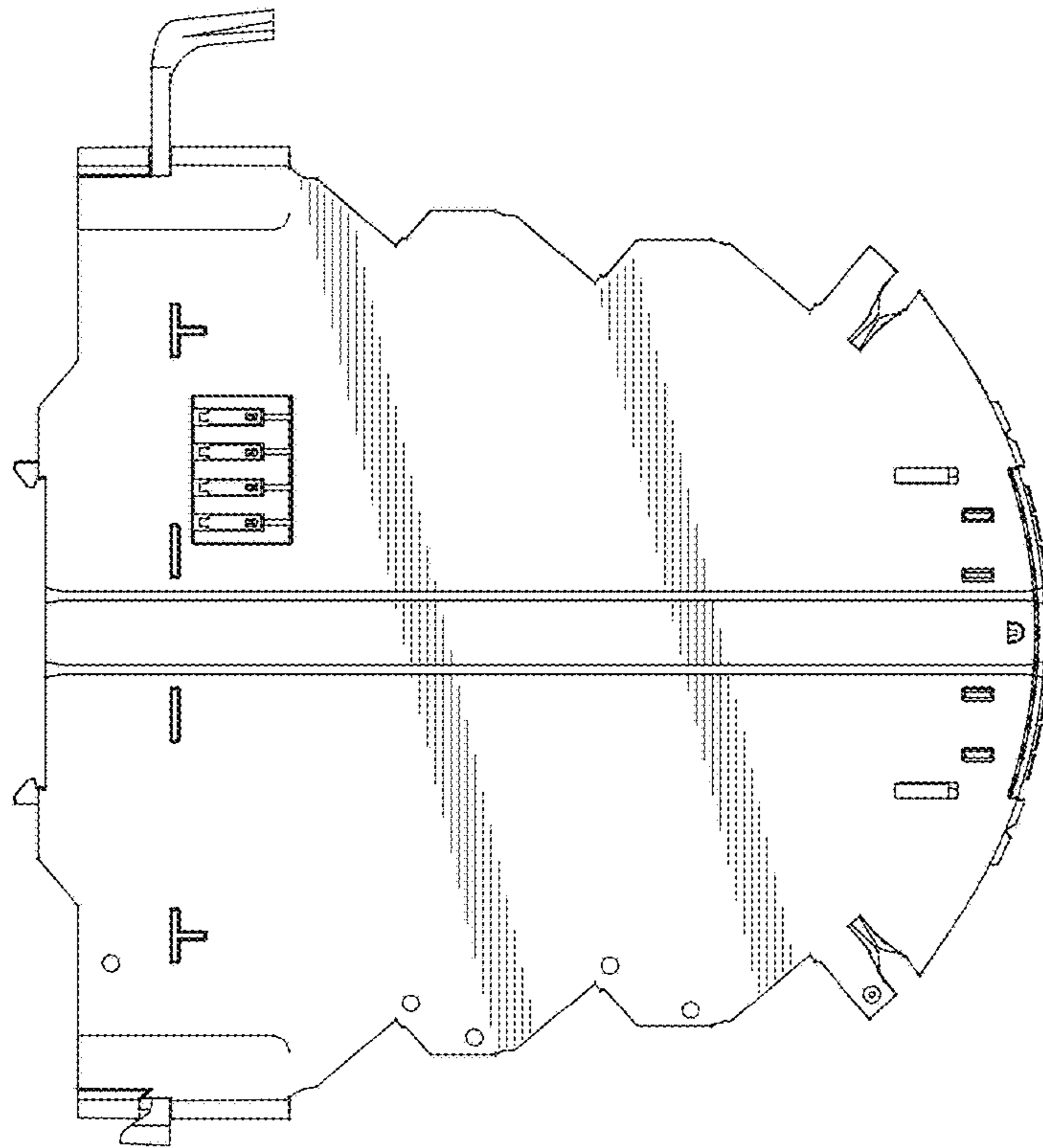


FIG. 36