



US00D852657S

(12) **United States Design Patent**
Marte et al.

(10) **Patent No.:** **US D852,657 S**
(45) **Date of Patent:** **** Jul. 2, 2019**

(54) **CASE FOR AN INSTRUMENT**

(71) Applicant: **OMICRON ELECTRONICS GMBH,**
Klaus (AT)

(72) Inventors: **Bernd Marte,** Meiningen (AT);
Gunther Becke, Schalchen (AT);
Ulrich Klapper, Rankweil (AT)

(73) Assignee: **OMICRON ELECTRONICS GMBH,**
Klaus (AT)

(**) Term: **15 Years**

(21) Appl. No.: **29/585,433**

(22) Filed: **Nov. 23, 2016**

(30) **Foreign Application Priority Data**

May 24, 2016 (EM) 003149293-0001

(51) **LOC (11) Cl.** **10-04**

(52) **U.S. Cl.**
USPC **D10/75**

(58) **Field of Classification Search**
USPC D10/46, 75
CPC H05K 5/00; H05K 5/0004; H05K 5/0008;

H05K 5/0013; H05K 5/0017; H05K 5/0021; H05K 5/0026; H05K 5/003; H05K 5/0034; H05K 5/0039; H05K 5/0043; H05K 5/0047; H05K 5/0052; H05K 5/0056; H05K 5/006; H05K 5/0065; H05K 5/0069; H05K 5/0073; H05K 5/0078; H05K 5/0082; H05K 5/0086; H05K 5/0091; H05K 5/0095; H05K 5/03; H05K 5/04; H05K 5/06; H05K 5/061; H05K 5/062; H05K 5/063; H05K 5/064; H05K 5/065; H05K 5/066; H05K 5/067; H05K 5/068; H05K 5/069; H05K 7/00; H05K 7/005; H05K 7/02; G01D 11/24; G01D 11/245; G01D 11/26; G01D 11/28; G01D 4/006; G01R 22/00; G01R 22/06; G01R 22/061; G01R 22/08; G01R 22/10; G01R 22/065; G01R 21/00;

G01R 21/06; G01R 21/133; G01R 21/1331; G01R 21/1333; G01R 21/1335; G01R 21/1336; G01R 21/1338; G01R 21/065; G01R 1/0408; G01R 31/2851; G01R 31/2889; G01R 31/31907; G01R 31/31921; G01R 31/318335; G01R 31/31725; G01R 31/3193; G01R 31/28; G01R 31/04; G01R

(Continued)

(56) **References Cited**

U.S. PATENT DOCUMENTS

D318,627 S * 7/1991 Frederick D10/46
D351,352 S * 10/1994 Hochreuther D10/46

(Continued)

Primary Examiner — Antoine Duval Davis

(74) *Attorney, Agent, or Firm* — Greenblum & Bernstein, P.L.C.

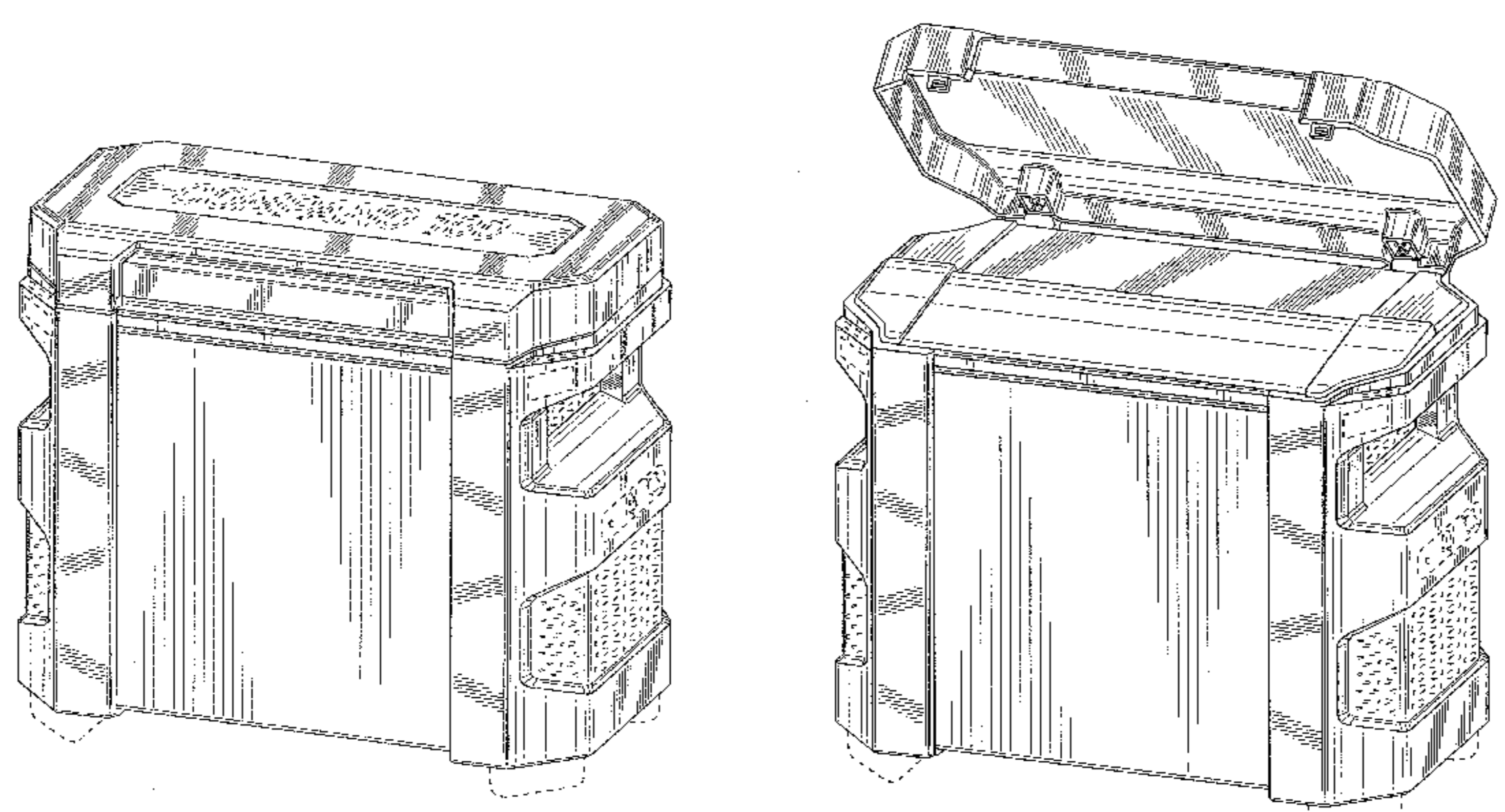
(57) **CLAIM**

We claim the ornamental design for a case for an instrument, as shown and described.

DESCRIPTION

FIG. 1 shows a front top right side perspective view a case; FIG. 2 shows a front side view of FIG. 1; FIG. 3 shows a back view of FIG. 1; FIG. 4 shows a left side view of FIG. 1; FIG. 5 shows a right side view of FIG. 1; FIG. 6 shows a top view of FIG. 1; FIG. 7 shows a bottom view of FIG. 1; FIG. 8 shows a perspective view of FIG. 1 with the cover or lid in an open position; FIG. 9 shows a front side view of FIG. 8; and, FIG. 10 shows a right side view of FIG. 8. Any surfaces of the design not shown, including interior surfaces and any surfaces shown in broken lines, form no part of the claimed invention.

1 Claim, 10 Drawing Sheets



(58) **Field of Classification Search**

CPC 31/31813; G01R 31/31919; G01R
31/318385; G06F 17/40; G06F 19/00;
G06F 11/0763; G06F 11/221; G06F
11/2242; G06F 11/263; G06Q 50/06;
F25D 29/00; F25D 21/08; F25B 2600/23;
H02J 13/0086; H02J 13/0062; H02J
2003/146; H02J 3/04; Y02B 70/3225;
Y02B 70/3216; G01N 34/1083; G01N
35/10; G02B 6/4201; G11C 29/56; G11C
29/02; G11C 29/56008; H04W 24/08;
H04W 24/06; H01L 22/34; H01L 22/32;
H01L 2924/00; H01L 2924/0002; H02B
1/36; H02B 1/21; H02B 1/24

See application file for complete search history.

(56) **References Cited**

U.S. PATENT DOCUMENTS

D764,328 S * 8/2016 Lafrance D10/75
D793,256 S * 8/2017 Iseli D10/75
D834,972 S * 12/2018 Herron D10/75

* cited by examiner

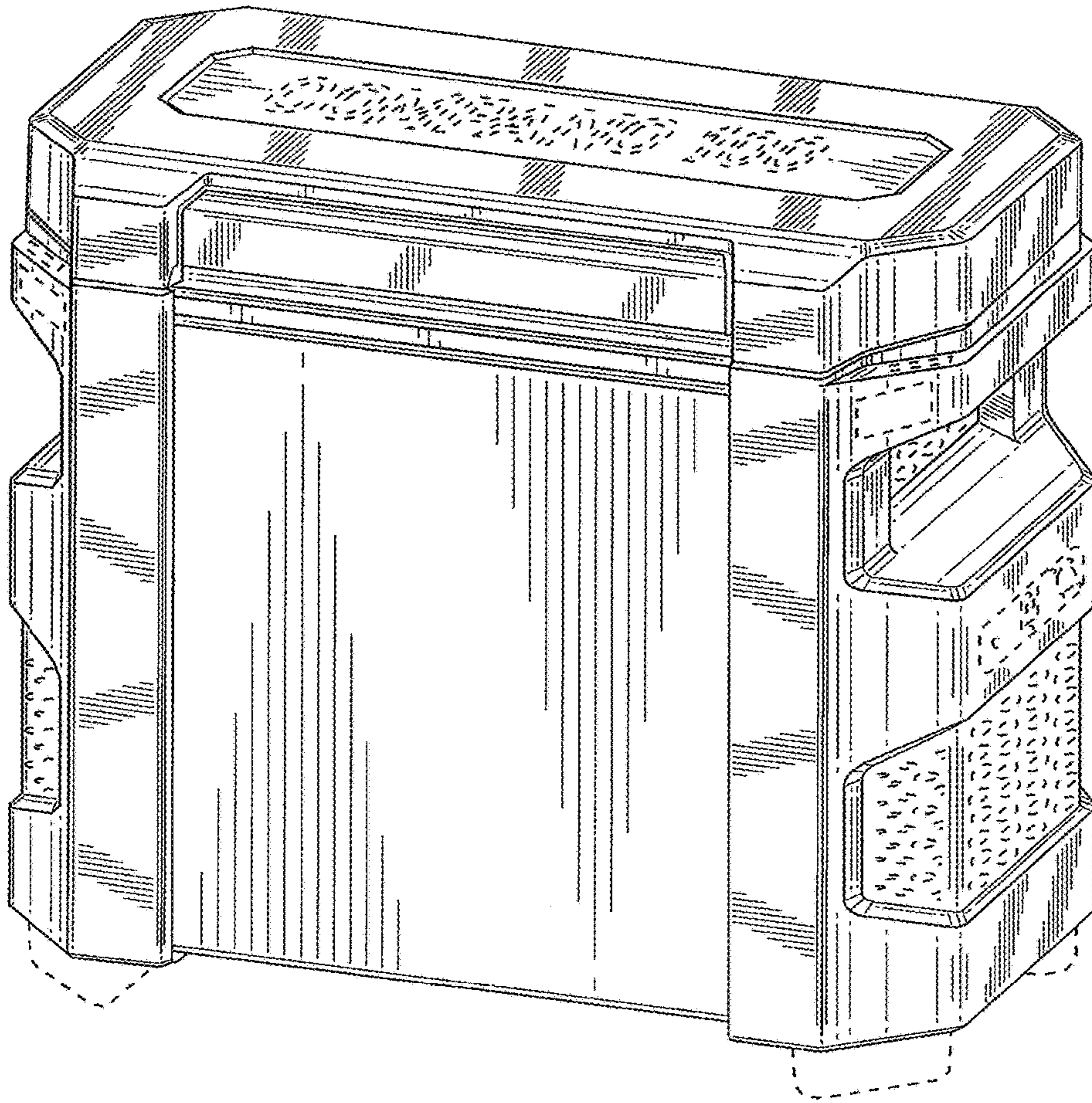


FIG. 1

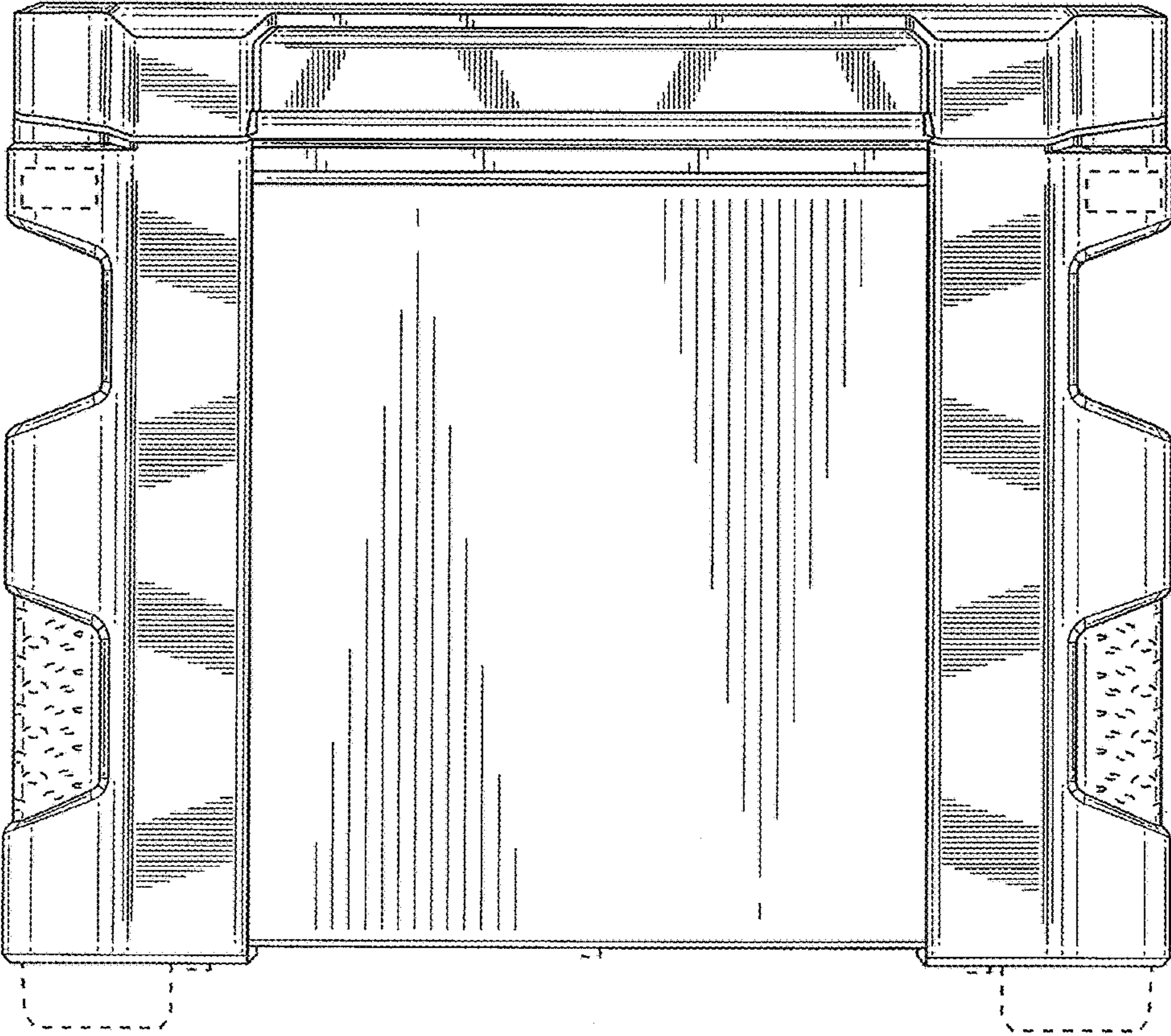


FIG. 2

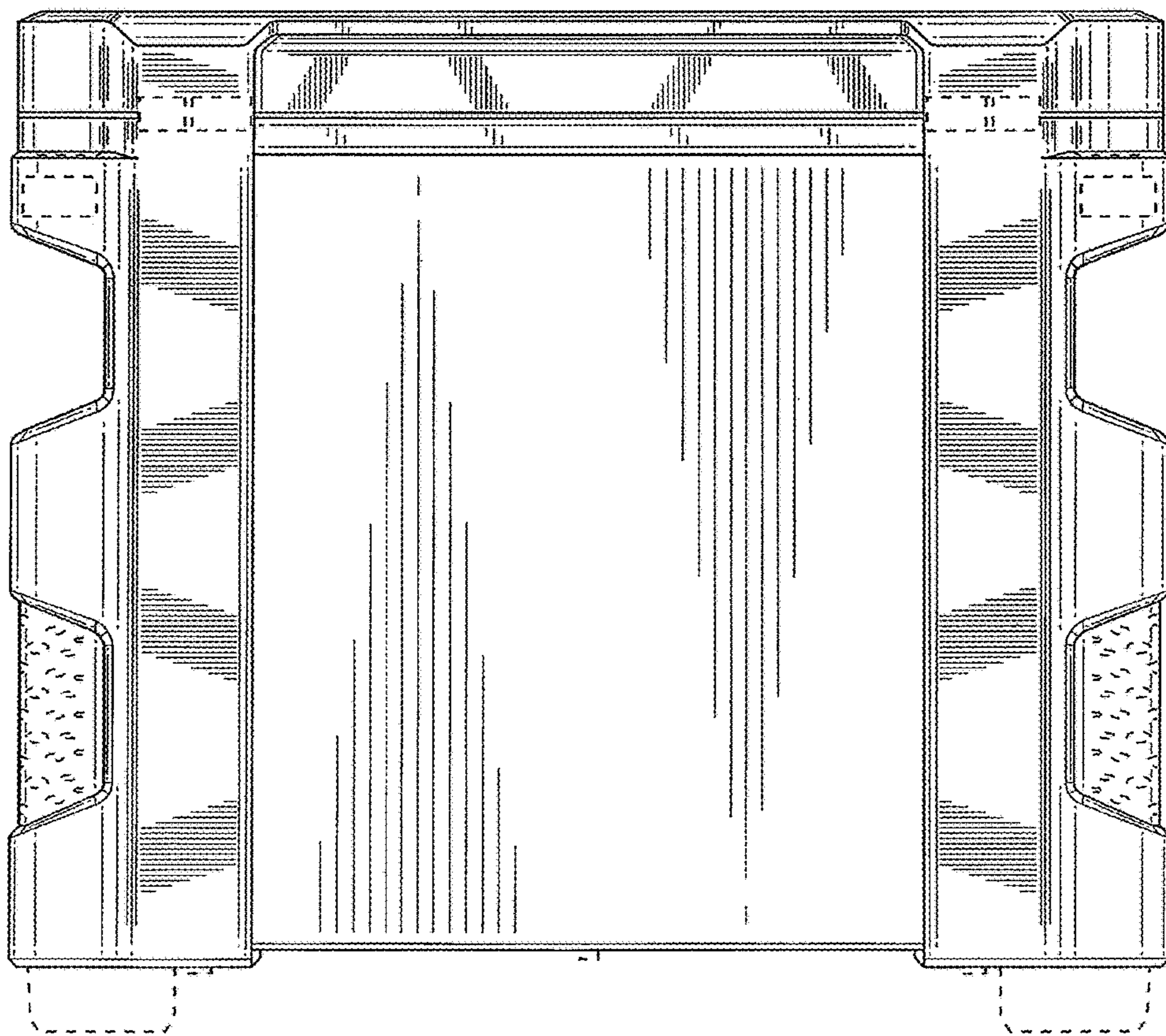


FIG. 3

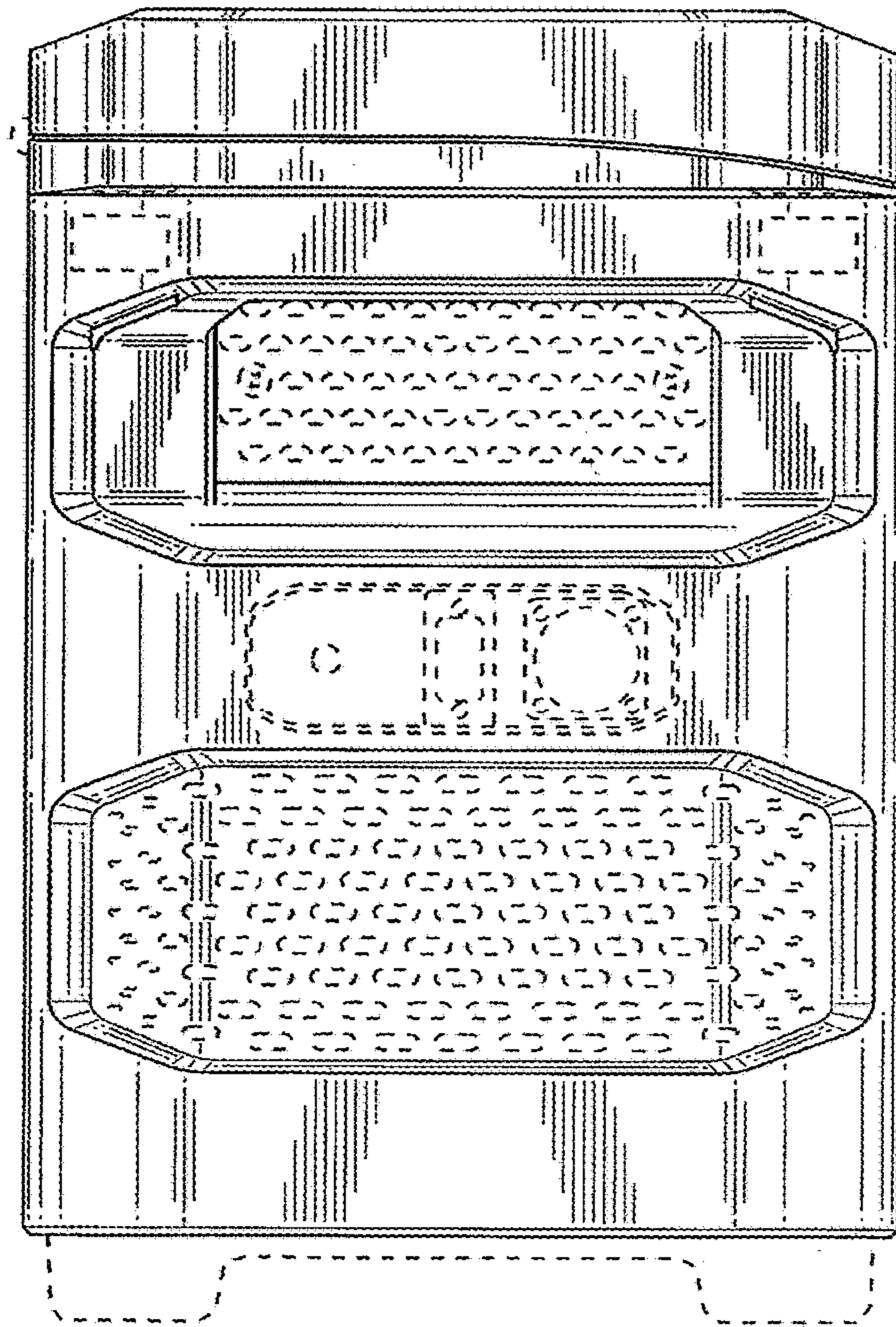


FIG. 4

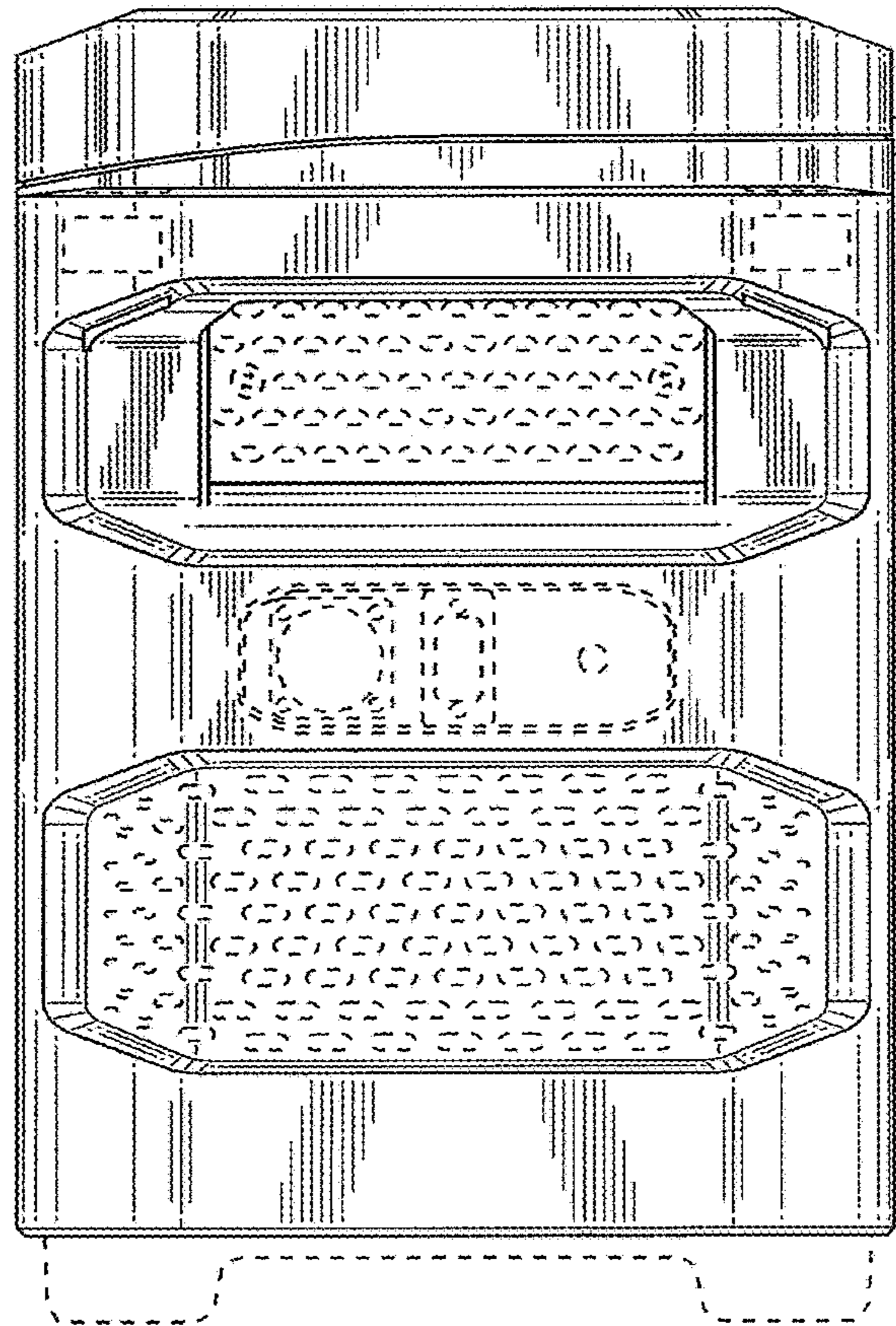


FIG. 5

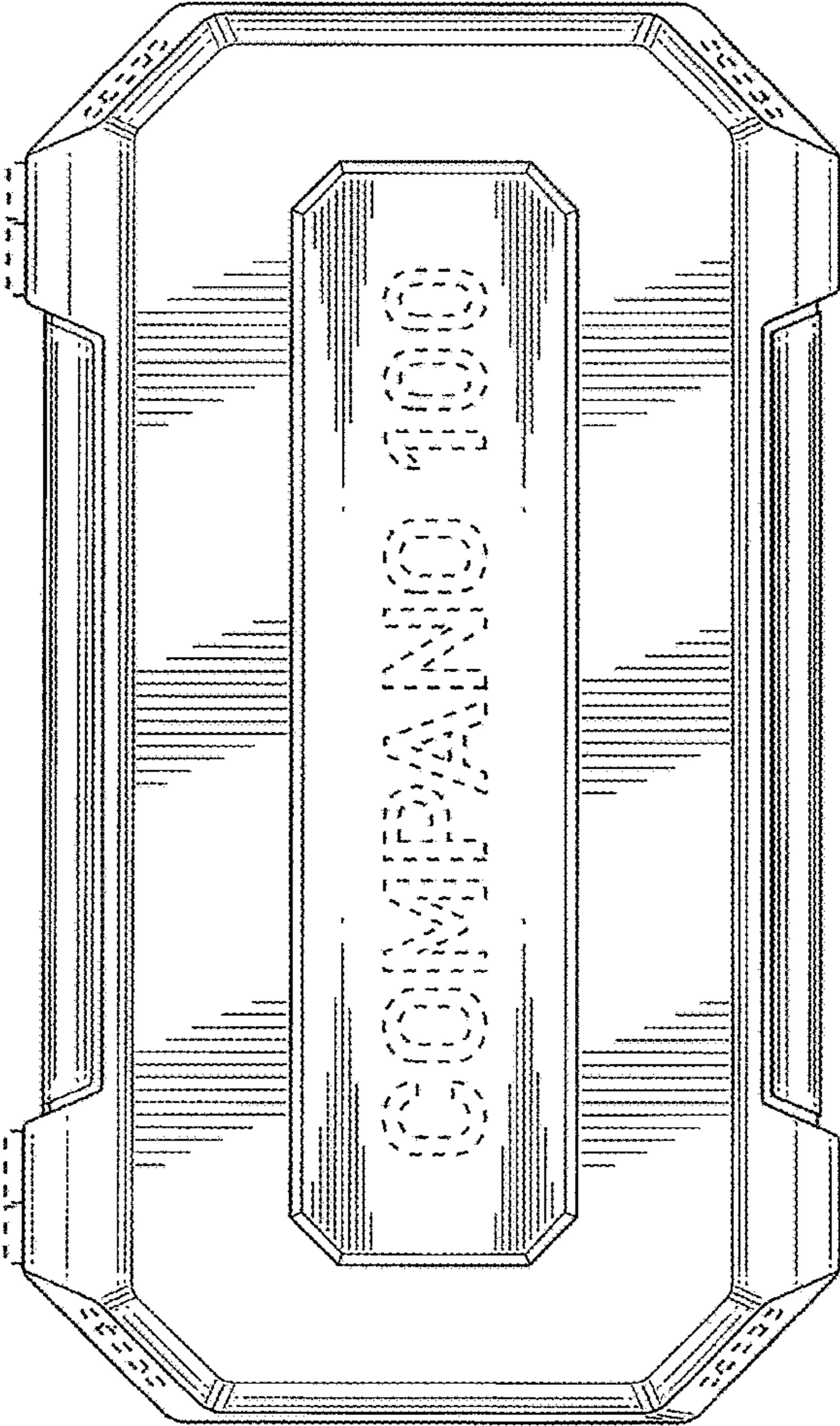


FIG. 6

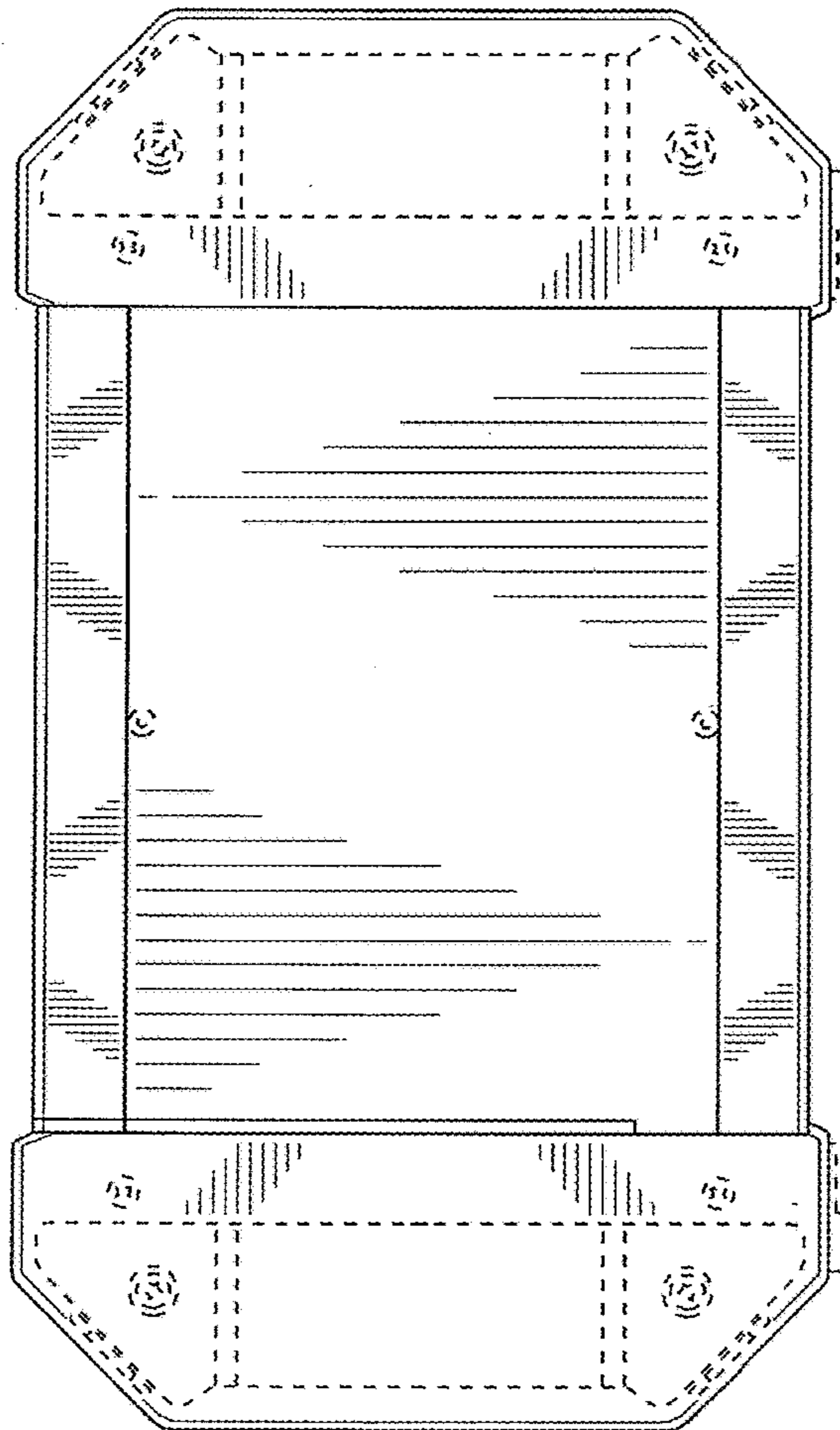


FIG. 7

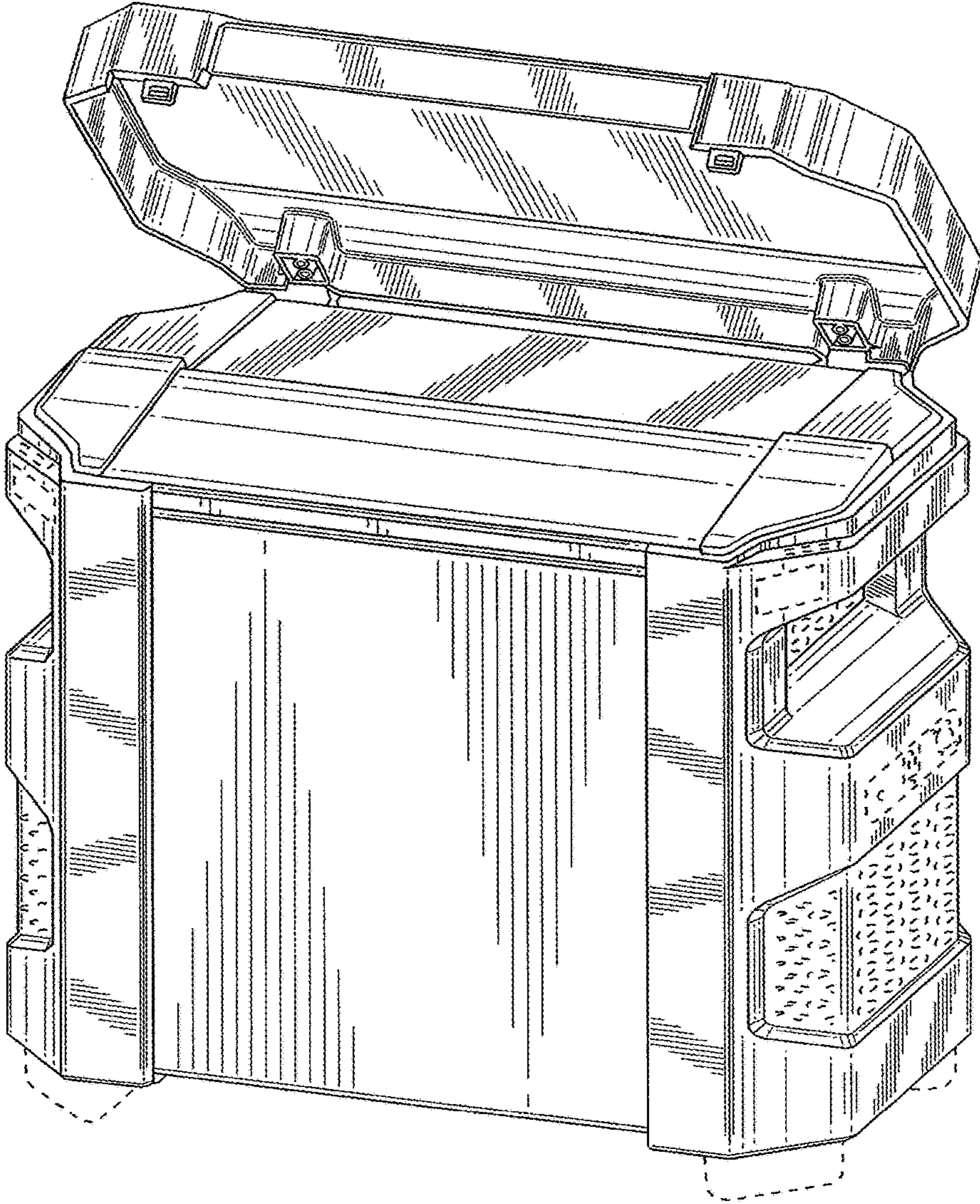


FIG. 8

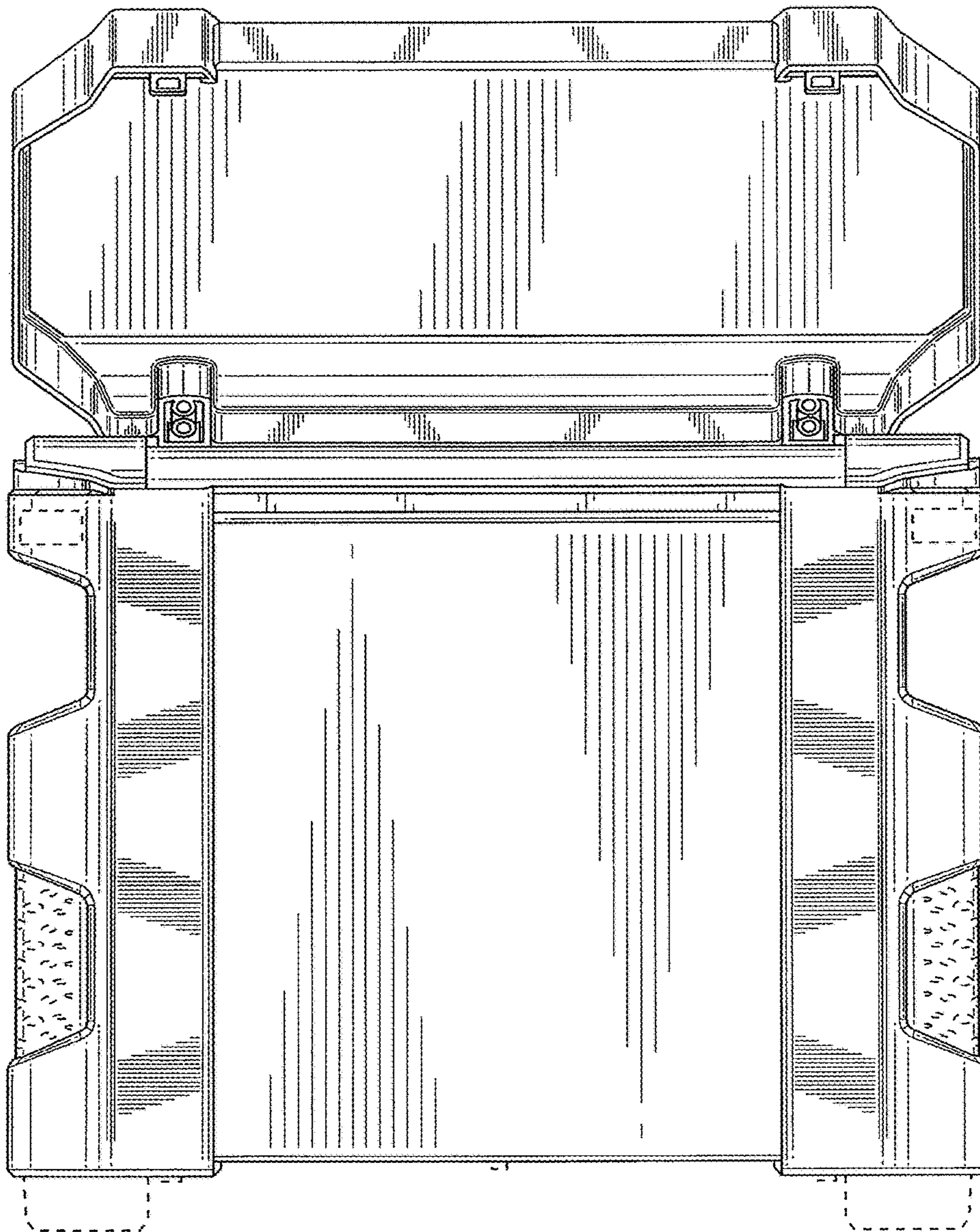


FIG. 9

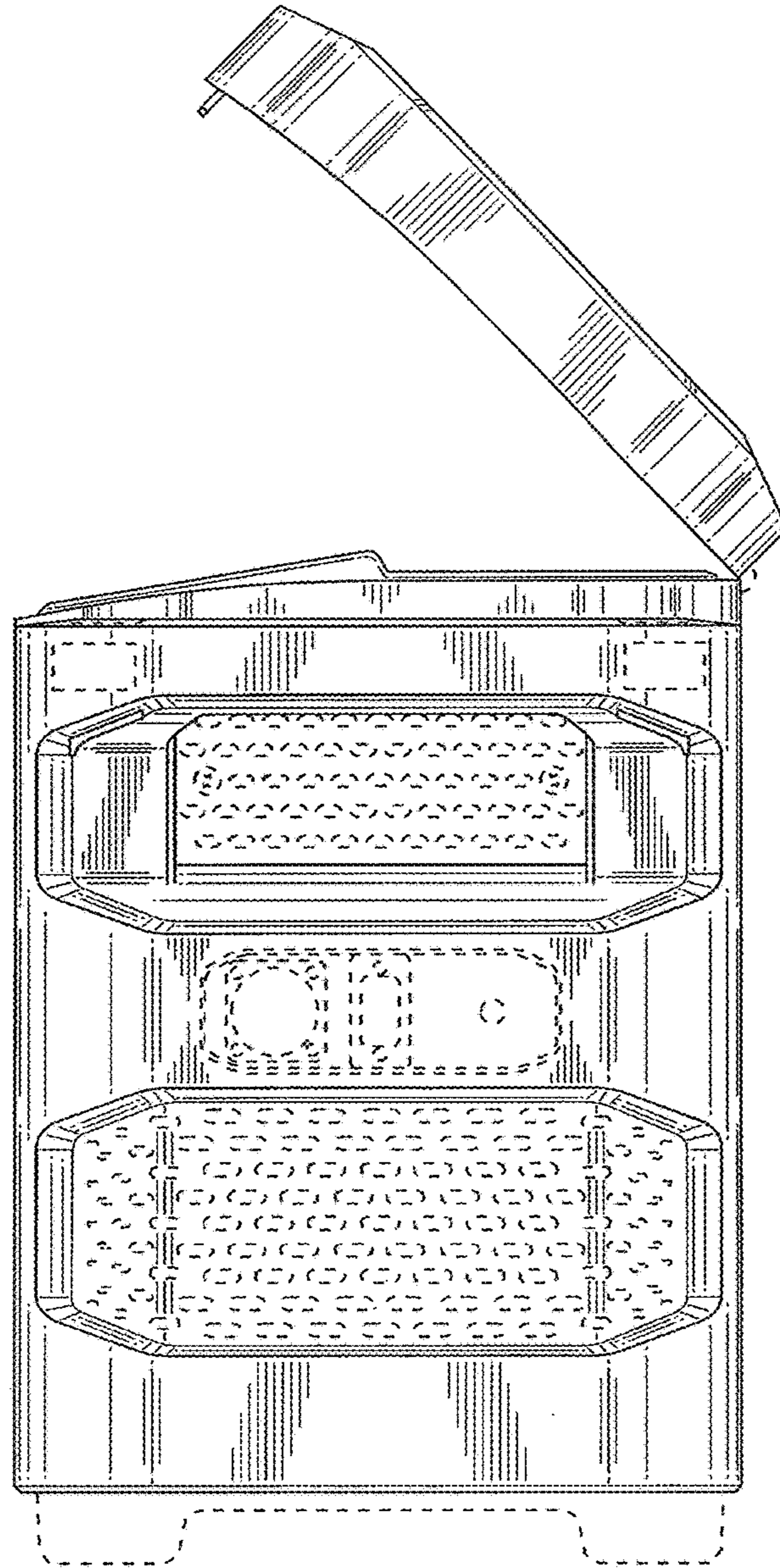


FIG. 10