



US00D852654S

(12) **United States Design Patent** (10) **Patent No.:** **US D852,654 S**
Zou (45) **Date of Patent:** **** Jul. 2, 2019**

(54) **DIGITAL THERMOMETER**

(71) Applicant: **Shenzhen Goldgood Instrument Limited**, Shenzhen (CN)

(72) Inventor: **Kui Zou**, Loudi (CN)

(73) Assignee: **Shenzhen Goldgood Instrument Limited**, Shenzhen (CN)

(**) Term: **15 Years**

(21) Appl. No.: **29/685,015**

(22) Filed: **Mar. 26, 2019**

(51) **LOC (11) Cl.** **10-04**

(52) **U.S. Cl.**
USPC **D10/57**

(58) **Field of Classification Search**
USPC D10/57, 58
CPC G01K 2207/02; G01K 2207/04; G01K 2207/06; G01K 2207/08

See application file for complete search history.

(56) **References Cited**

U.S. PATENT DOCUMENTS

6,056,463	A *	5/2000	Nishio	B43K 7/005 401/209
6,319,206	B1 *	11/2001	Pompei	G01J 5/0022 374/E13.003
6,751,497	B2 *	6/2004	Fraden	G01J 5/04 374/E13.003
D700,077	S *	2/2014	Wurts	D10/57
D700,078	S *	2/2014	Wurts	D10/57
D809,945	S *	2/2018	Prommel	D10/57
D837,668	S *	1/2019	Zou	D10/57
D838,192	S *	1/2019	Yu	D10/57
2001/0040911	A1 *	11/2001	Rubenstein	G01K 1/14 374/141

OTHER PUBLICATIONS

GDealer DT9 Waterproof Digital Instant Read Meat Thermometer with 4.6" Folding Probe Calibration Function for Cooking Food

Candy, BBQ Grill, Smokers, Retrieved Mar. 25, 2019]. Retrieved from Internet, https://www.amazon.com/GDEALER-DT09-Waterproof-Thermometer-Calibration/dp/B077N9T5S5/ref=axbs_sawds-atvp?keywords=Thermometer&pd_rd_i=B077N9TS55&pd_rd_r=786228f6-8f9f-44b1-9&87-f419f484237b&pd_rd_w=13W18&pd_rd_wg=9EBVL&pf_rd_p=5c5eaBd7-2437-4d8a-88a7-ea6f32aeac11&pf_rd_r=0J4VPTQJJECDSDVS55AV&qid=1553495853&s=gateway. Instant Read Meat Thermometer, Waterproof Ultra Fast Digital Food Cooking Thermometer with Collapsible Long Probe, Backlight & Calibration for Kitchen BBQ Grill Smoker (black), Retrieved Mar. 25, 2019]. Retrieved from Internet, https://www.amazon.com/Thermometer-Waterproof-Collapsible-Calibration-Smoker%EF%BC%88black/dp/B07KWV86N3/ref=sr_1_43?keywords=meat+Thermometer&qid=1553495917&s=gateway&sr=8-43. Meat Thermometer, AIBSI Ultra Fast Instant Read Thermometer with Collapsible Probe and Magnet Waterproof Kitchen Cooking Thermometer for Outdoor BBQ Fork Grill Smoker Fry Food, Black, Retrieved Mar. 25, 2019]. Retrieved from Internet, https://www.amazon.com/Thermometer-AIBSI-Instant-Collapsible-Waterproof/dp/B07F6751SM/ref=sr_1_78_sspa?keywords=meat+Thermometer&qid=1553496013&s=gateway&sr=6-78-spons&psc=1.

(Continued)

Primary Examiner — Antoine Duval Davis

(57) **CLAIM**

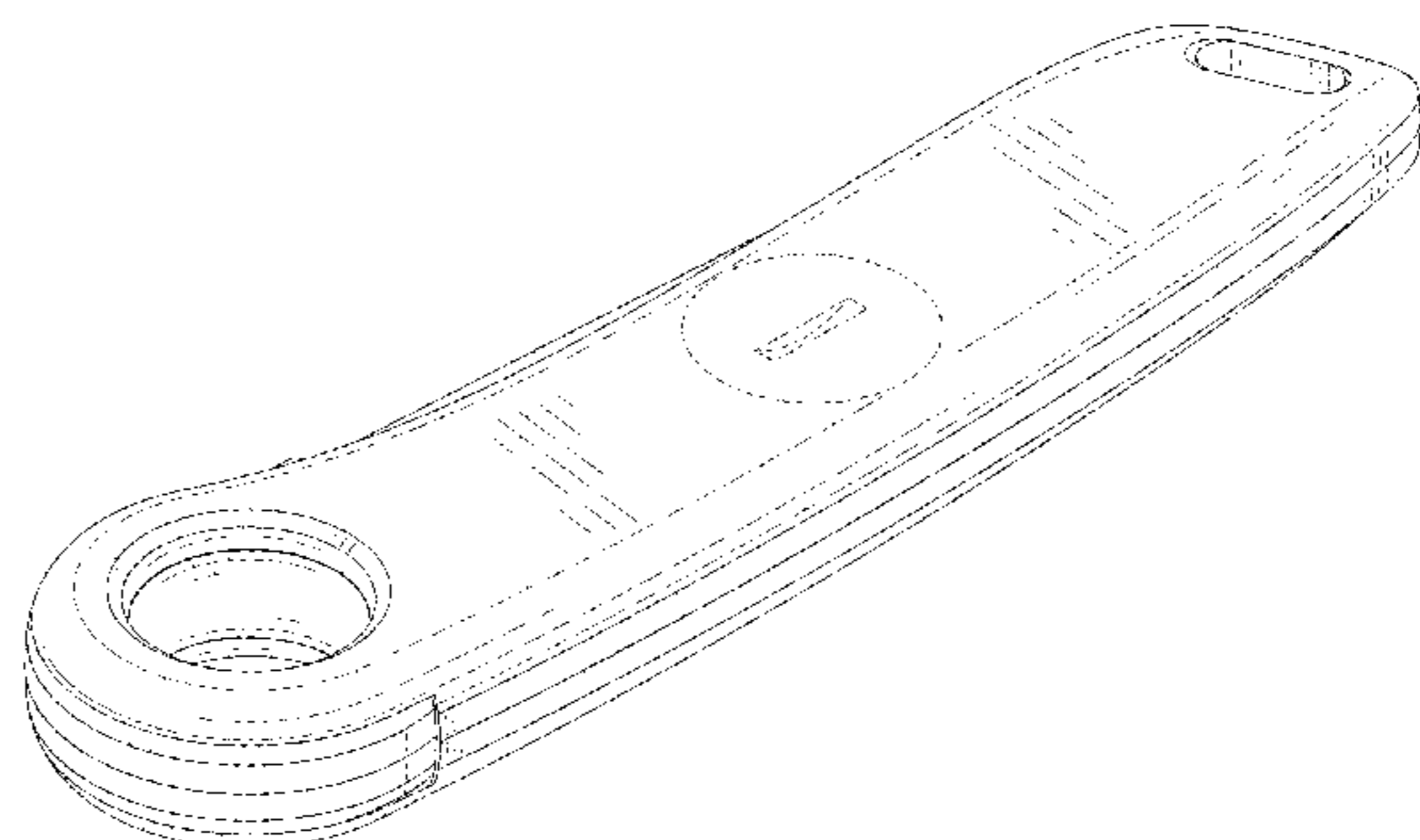
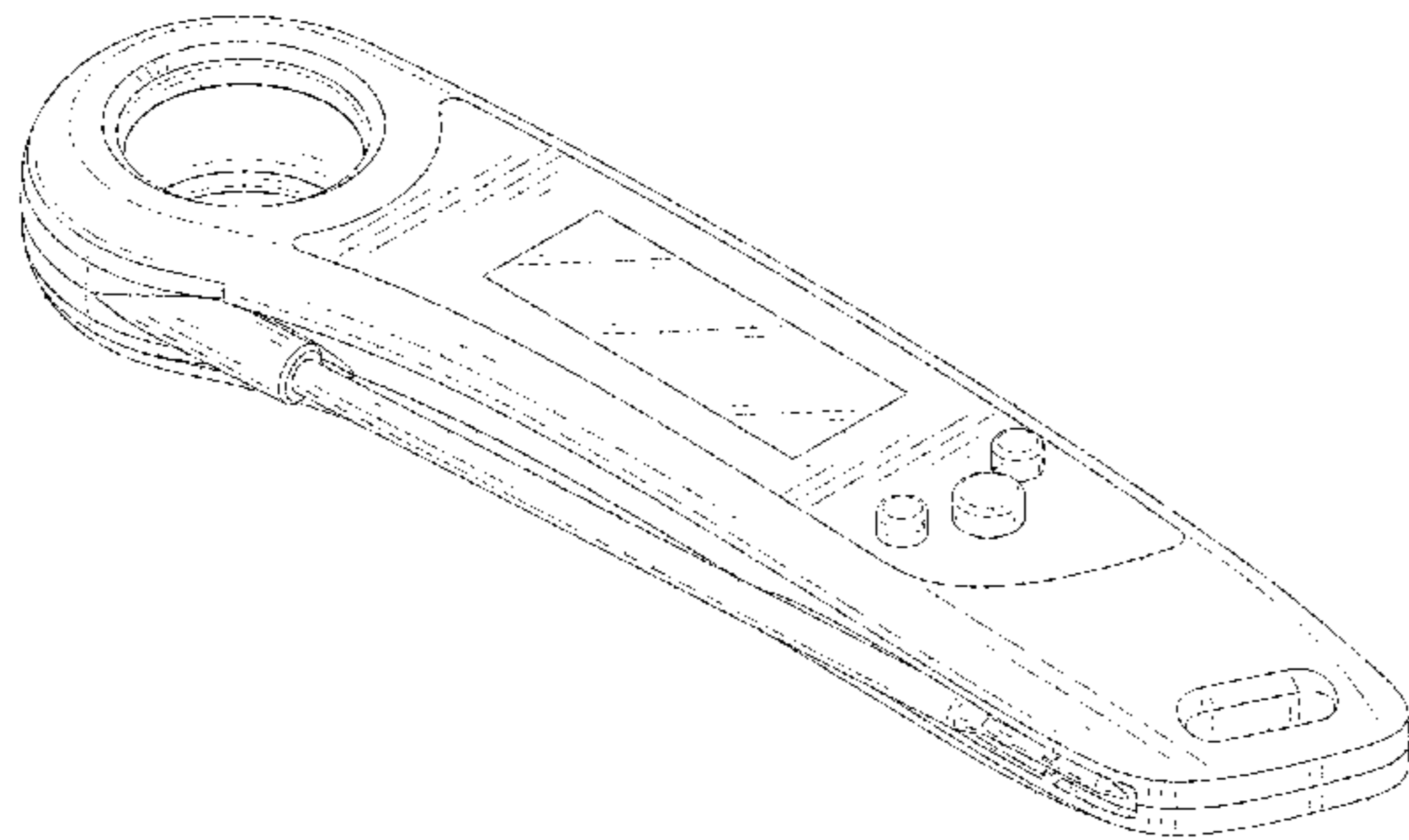
The ornamental design for a digital thermometer, as shown and described.

DESCRIPTION

FIG. 1 is a perspective view of a digital thermometer showing my new design; FIG. 2 is another perspective view thereof; FIG. 3 is a front elevational view thereof; FIG. 4 is a rear elevational view thereof; FIG. 5 is a left side elevational view thereof; FIG. 6 is a right side elevational view thereof; FIG. 7 is a top plan view thereof; and, FIG. 8 is a bottom plan view thereof.

The broken lines in the drawings depict portions of the digital thermometer that form no part of the claimed design.

1 Claim, 8 Drawing Sheets



(56)

References Cited

OTHER PUBLICATIONS

Kizen Instant Read Meat Thermometer—Waterproof Ambidextrous Thermometer with Backlight & Calibration. Digital Food Thermometer for Kitchen, Outdoor Cooking, BBQ, and Grill (Black), Retrieved Mar. 25, 2019]. Retrieved from Internet, https://www.amazon.com/Kizen-Instant-Read-Meat-Thermometer/dp/B07GZJDLZY/ref=sr_1_86?keywords=meat+Thermometer&qid=1553496013&s=gateway&sr=8-86.

Weicai Instant Read Meat Thermometer—Professional Food Thermometer for Cooking, Grilling, Baking and More (LCD Display, Backlight, Waterproof), Retrieved Mar. 25, 2019]. Retrieved from Internet, https://www.amazon.com/Weicai-Instant-Read-Meat-Thermometer/dp/B07KM989YK/ref=sr_1_104?keywords=meat+Thermometer&qid=1553496283&s=gateway&sr=8-104.

* cited by examiner

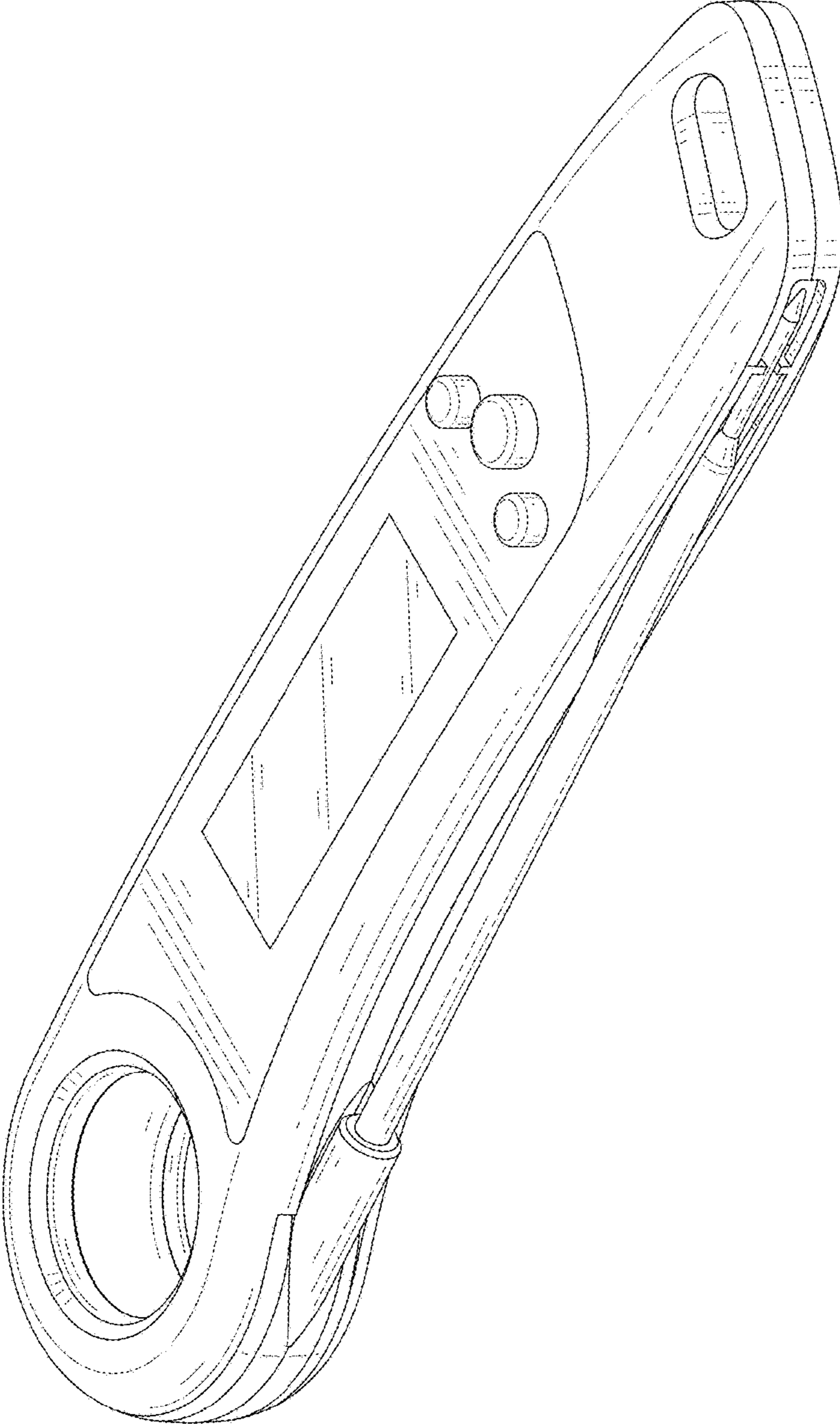


FIG. 1

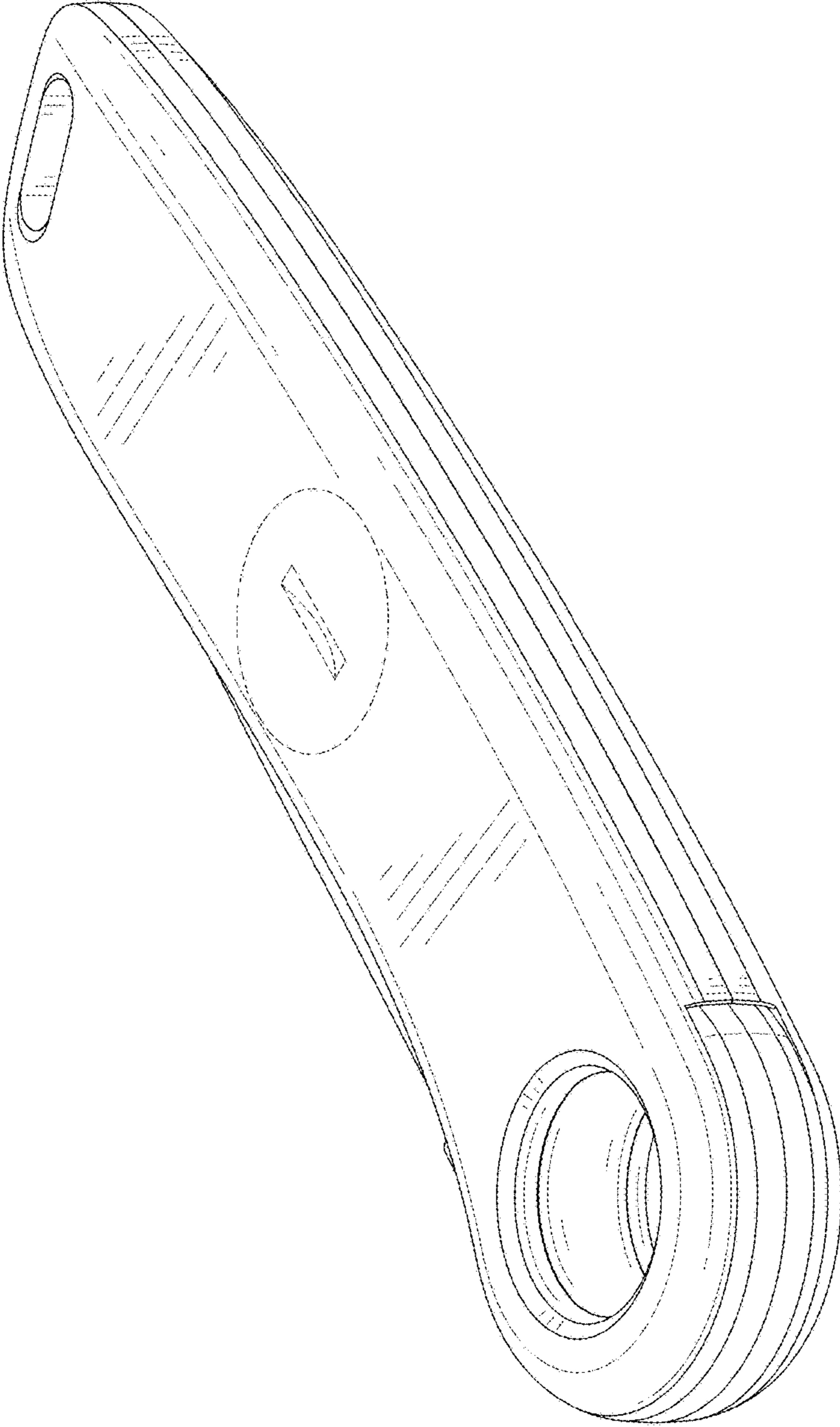


FIG. 2

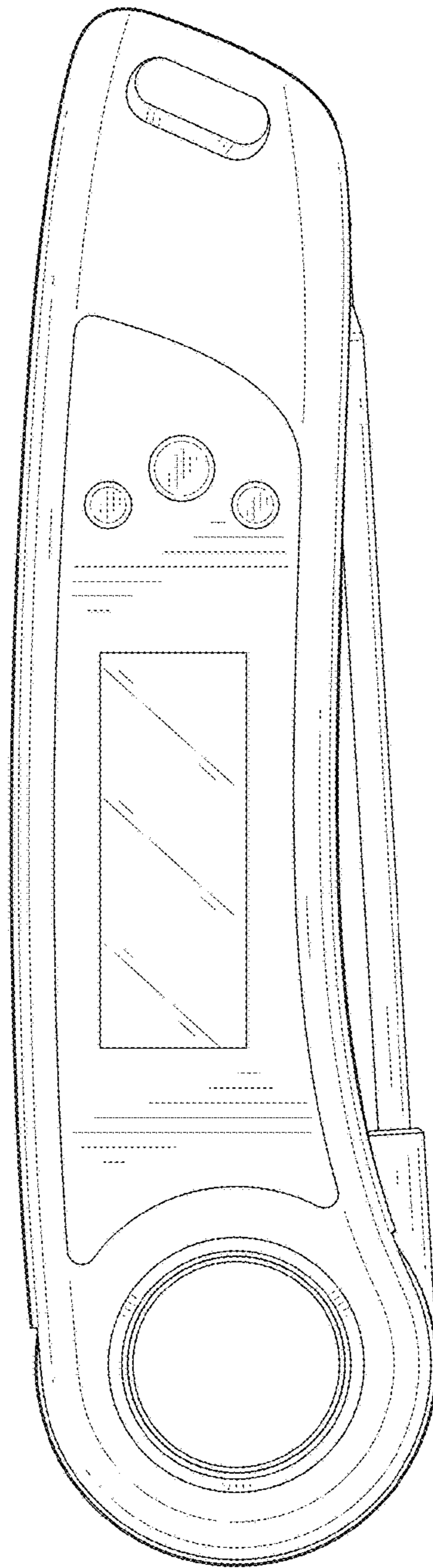


FIG. 3

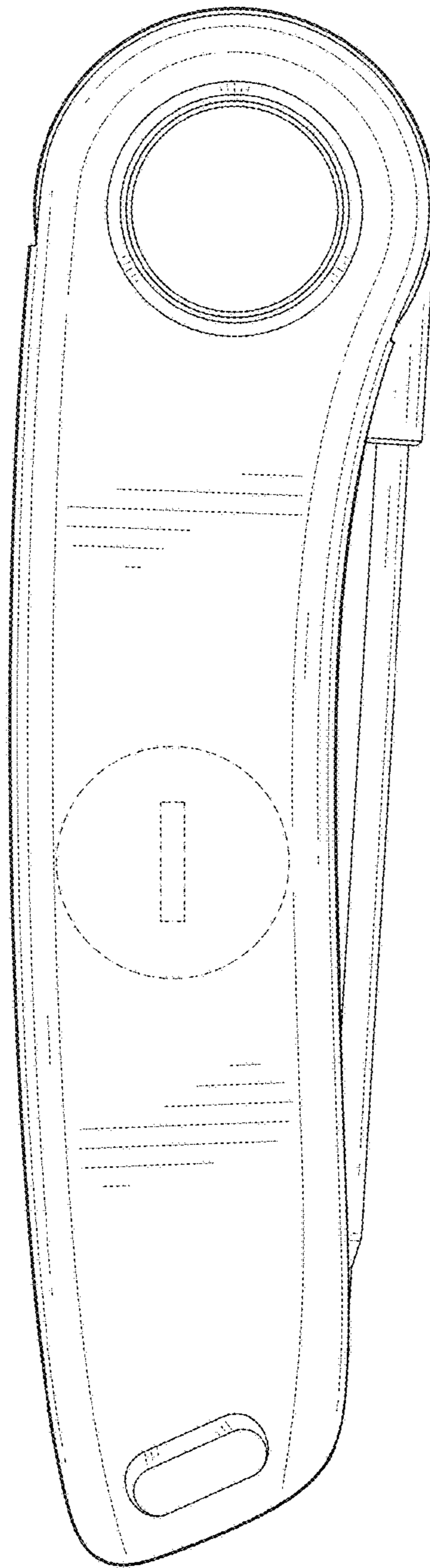


FIG. 4

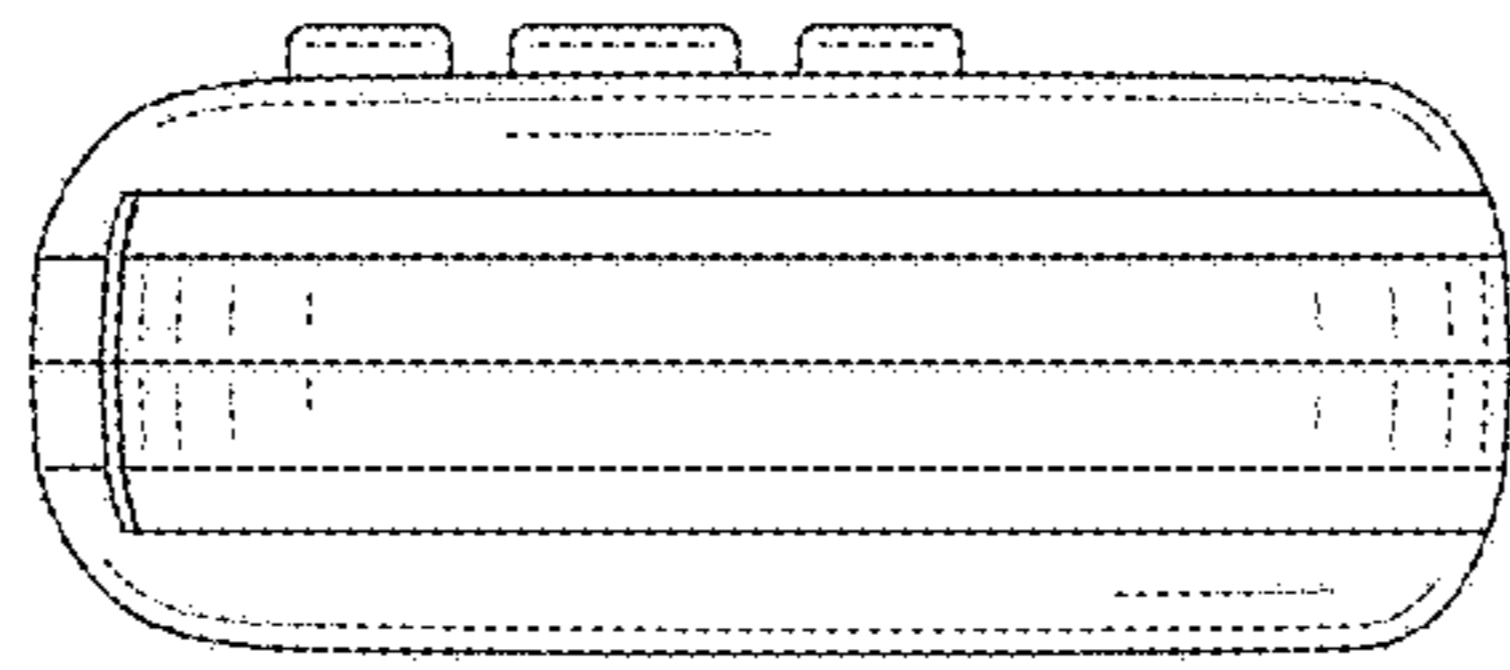


FIG. 5

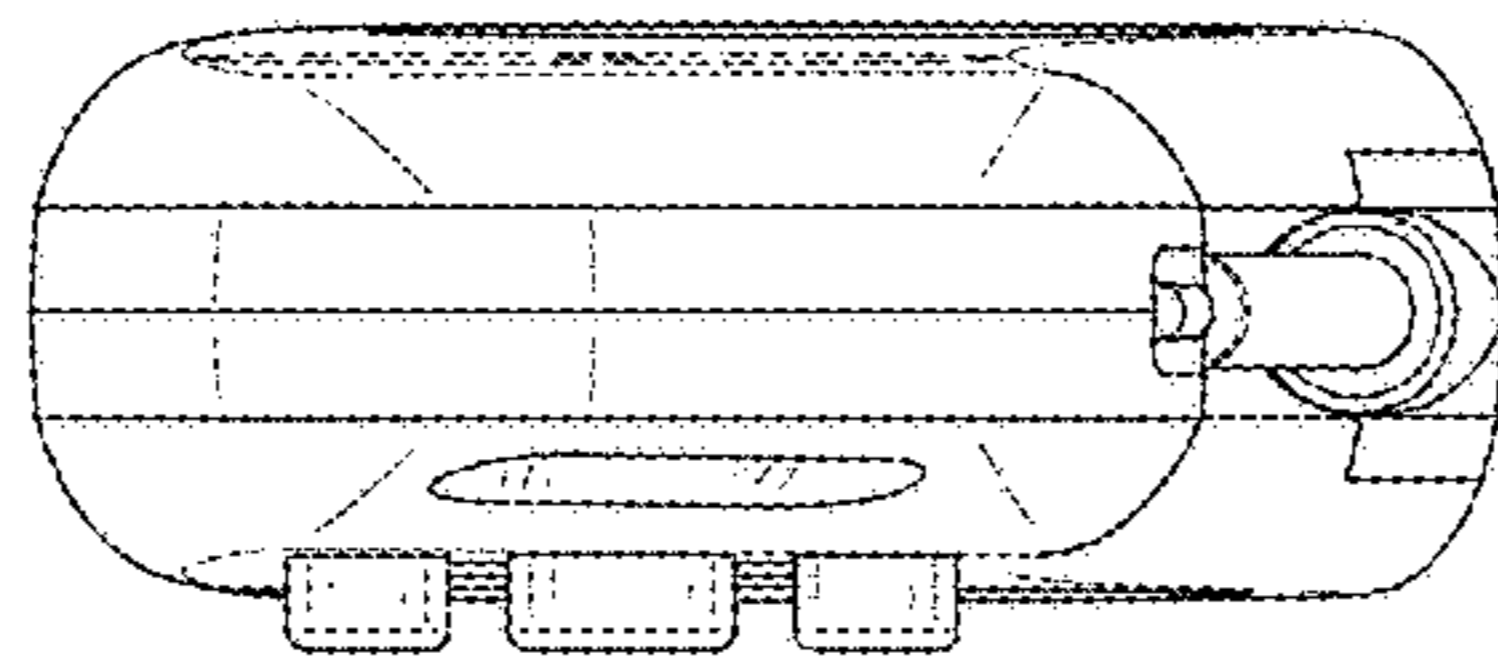


FIG. 6

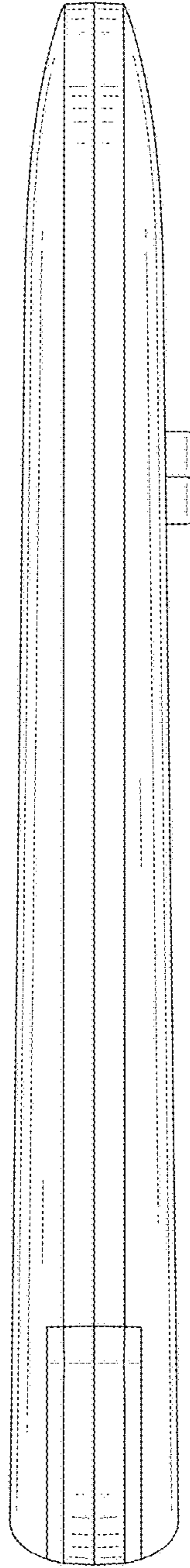


FIG. 7

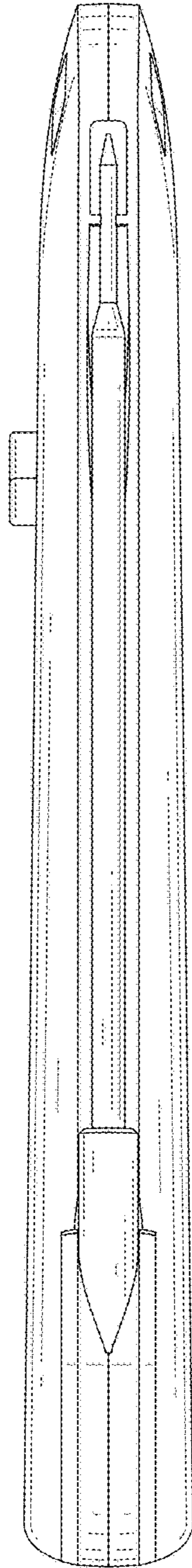


FIG. 8