



US00D852650S

(12) **United States Design Patent**
Zakharov et al.

(10) **Patent No.:** **US D852,650 S**

(45) **Date of Patent:** **** Jul. 2, 2019**

(54) **OPERATOR CONSOLE HOUSING FOR MEASURING AND CONTROL TOOL**

(71) Applicant: **ZS Systems, LLC**, Lafayette, IN (US)

(72) Inventors: **Sergey I. Zakharov**, Lafayette, IN (US); **Grant Langley**, West Lafayette, IN (US)

(73) Assignee: **ZS Systems, LLC**, West Lafayette, IN (US)

(**) Term: **15 Years**

(21) Appl. No.: **29/645,282**

(22) Filed: **Apr. 25, 2018**

(51) **LOC (11) Cl.** **10-04**

(52) **U.S. Cl.**

USPC **D10/49**; D13/164

(58) **Field of Classification Search**

USPC D10/49, 50; D13/162, 162.1, 164

CPC H01H 2223/008; H01H 2223/01; H01H

2223/012; H01H 2223/014; H01H

2223/016; H01H 2223/018; H01H

2223/02; H01H 2223/022; H01H

2223/024; H01H 2223/026; H01H

2223/028; H01H 2223/00; H01H

2223/002; H01H 2223/003; H01H

2223/004; H01H 2223/006; H01H

2223/04; G06F 9/4455; G06F 9/54; G06F

2209/549; G06F 2212/161; G06F 3/041;

G06F 3/0412; G06F 3/0414; G06F

3/0416; G06F 3/0418; G06F 3/042; G06F

3/0421; G06F 3/0423; G06F 3/0425;

G06F 3/0426; G06F 3/0428; G06F 3/043;

G06F 3/0433; G06F 3/0436; G06F 3/044;

G06F 3/045; G06F 3/046; G06F 3/047;

G06F 3/0488; G06F 3/04883; G06F

3/04886; G06F 3/0485; G06F 1/1613;

G06F 1/1626; G06F 1/1654

See application file for complete search history.

(56) **References Cited**

U.S. PATENT DOCUMENTS

D702,137 S * 4/2014 Zakharov D10/50

10,168,829 B2 * 1/2019 Oyama G06F 3/0416

* cited by examiner

Primary Examiner — Antoine Duval Davis

(74) *Attorney, Agent, or Firm* — Woodard, Emhardt, Henry, Reeves & Wagner, LLP

(57) **CLAIM**

The ornamental design for an operator console housing for measuring and control tool, as shown and described.

DESCRIPTION

FIG. 1 is a front perspective view of the operator console housing for measuring and control tool of the present invention.

FIG. 2 is a rear perspective view of the operator console housing for measuring and control tool of the present invention.

FIG. 3 is a first side view of the operator console housing for measuring and control tool of the present invention.

FIG. 4 front elevational view of the operator console housing for measuring and control tool of the present invention.

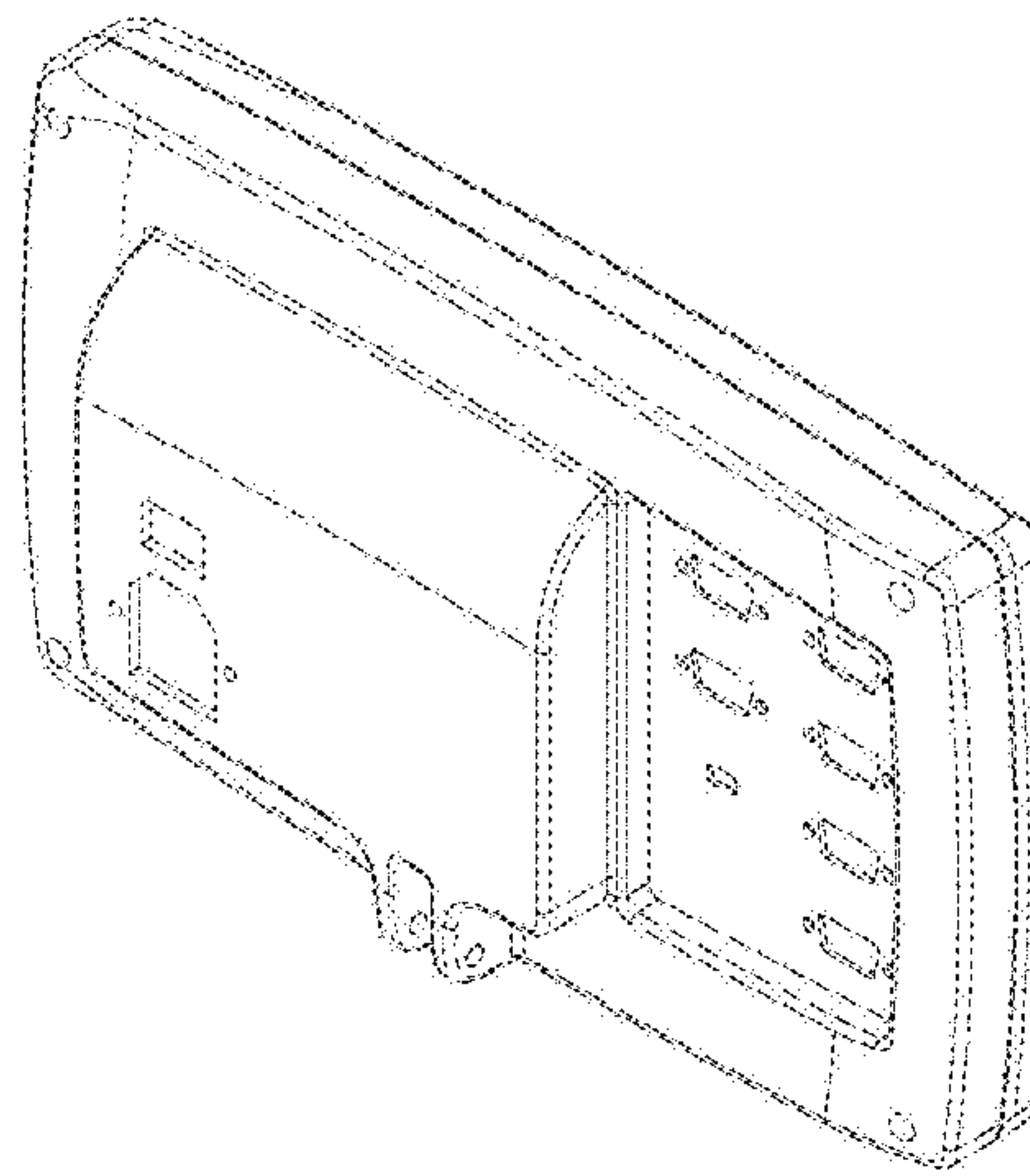
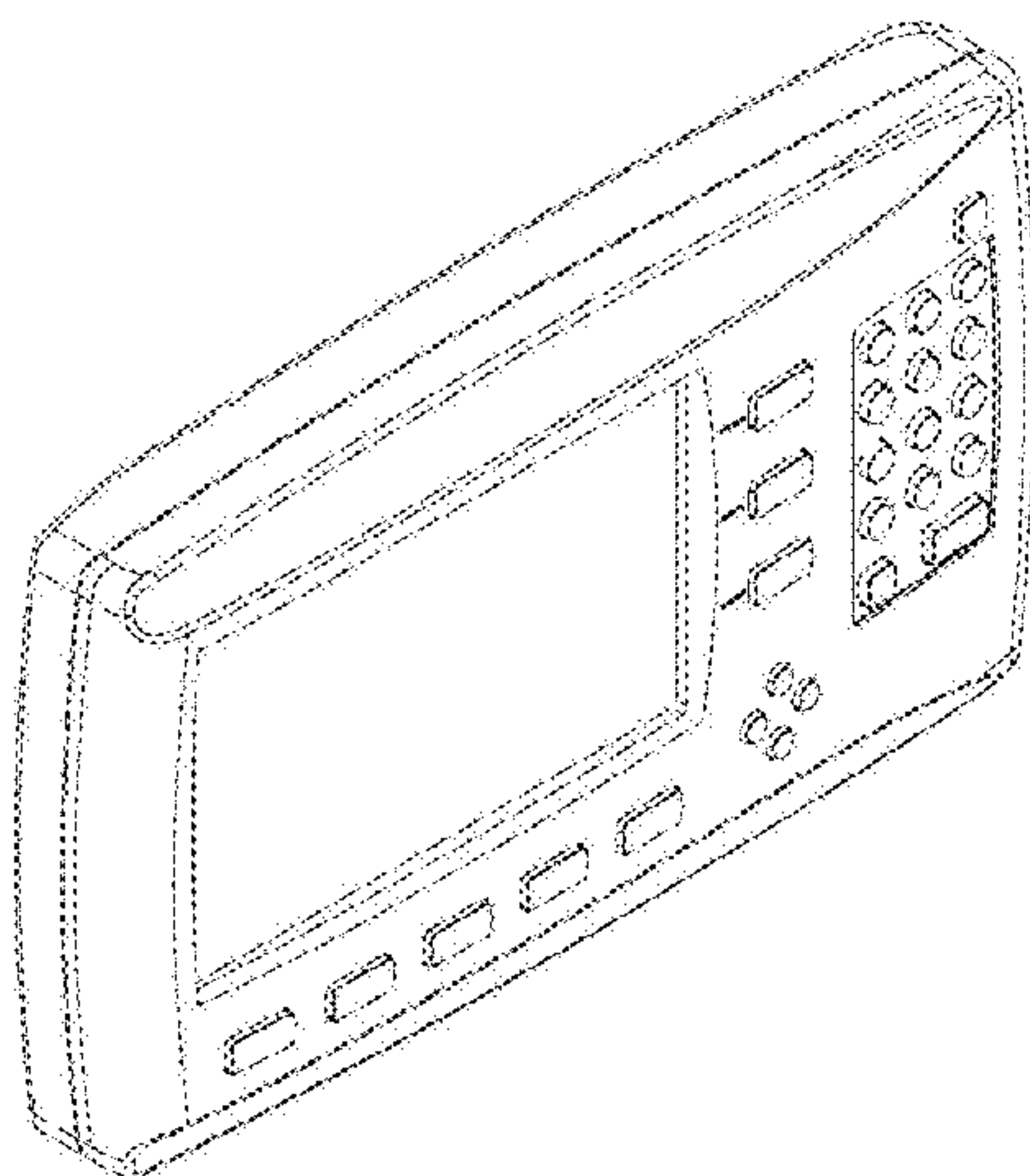
FIG. 5 is a second side view of the operator console housing for measuring and control tool of the present invention.

FIG. 6 is a top view of the operator console housing for measuring and control tool of the present invention.

FIG. 7 is a bottom view of the operator console housing for measuring and control tool of the present invention; and,

FIG. 8 is a rear elevational view of the operator console housing for measuring and control tool of the present invention.

1 Claim, 7 Drawing Sheets



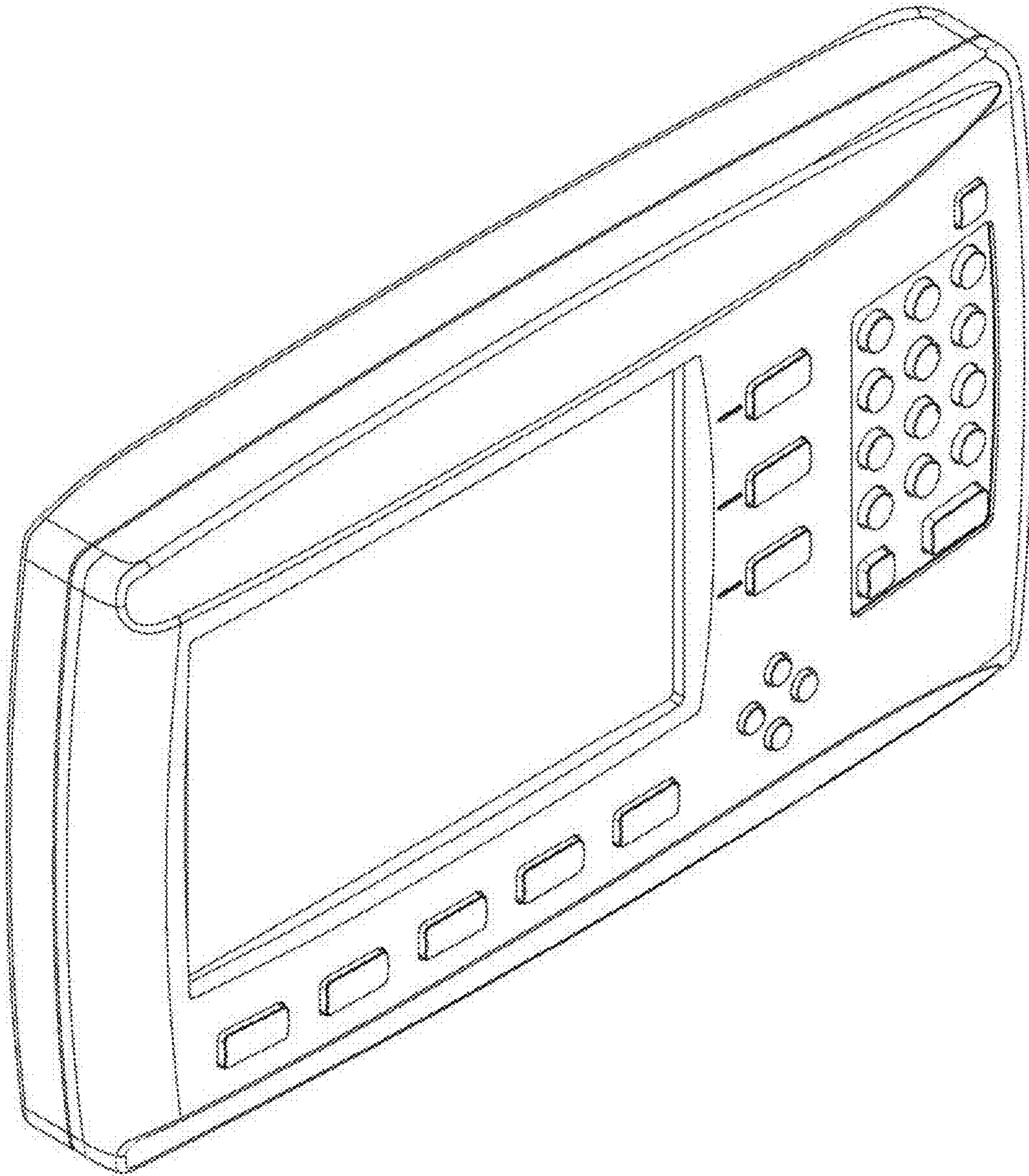


FIG. 1

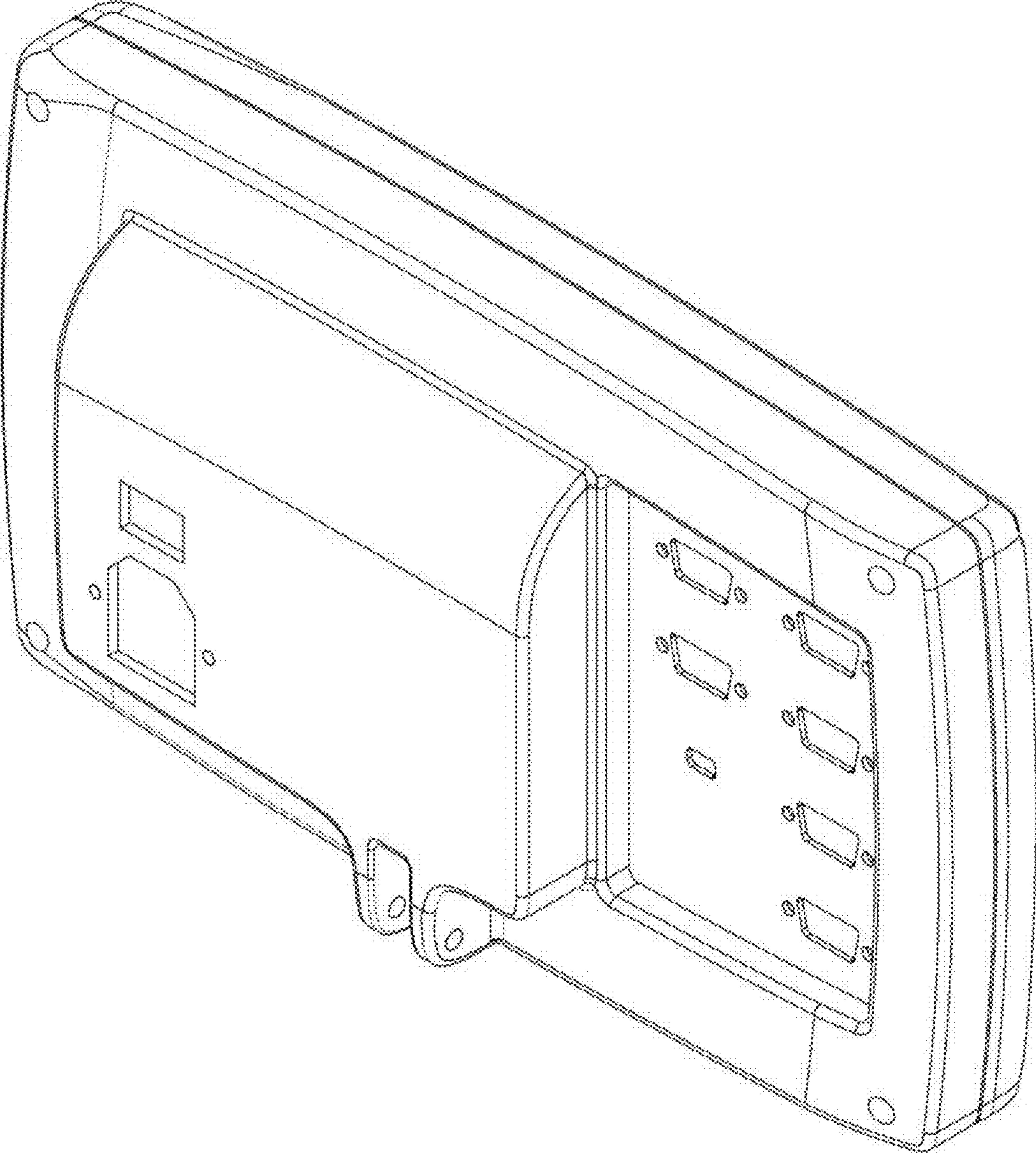


FIG. 2

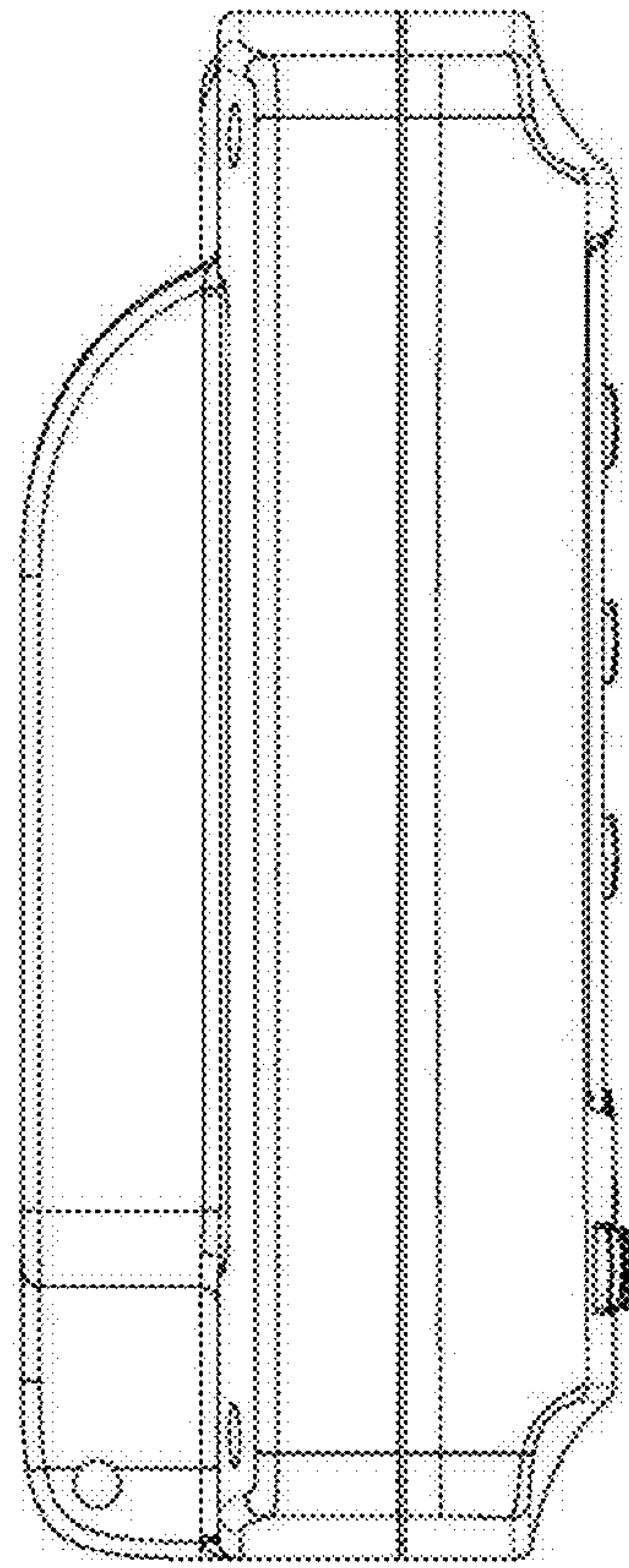


FIG. 3

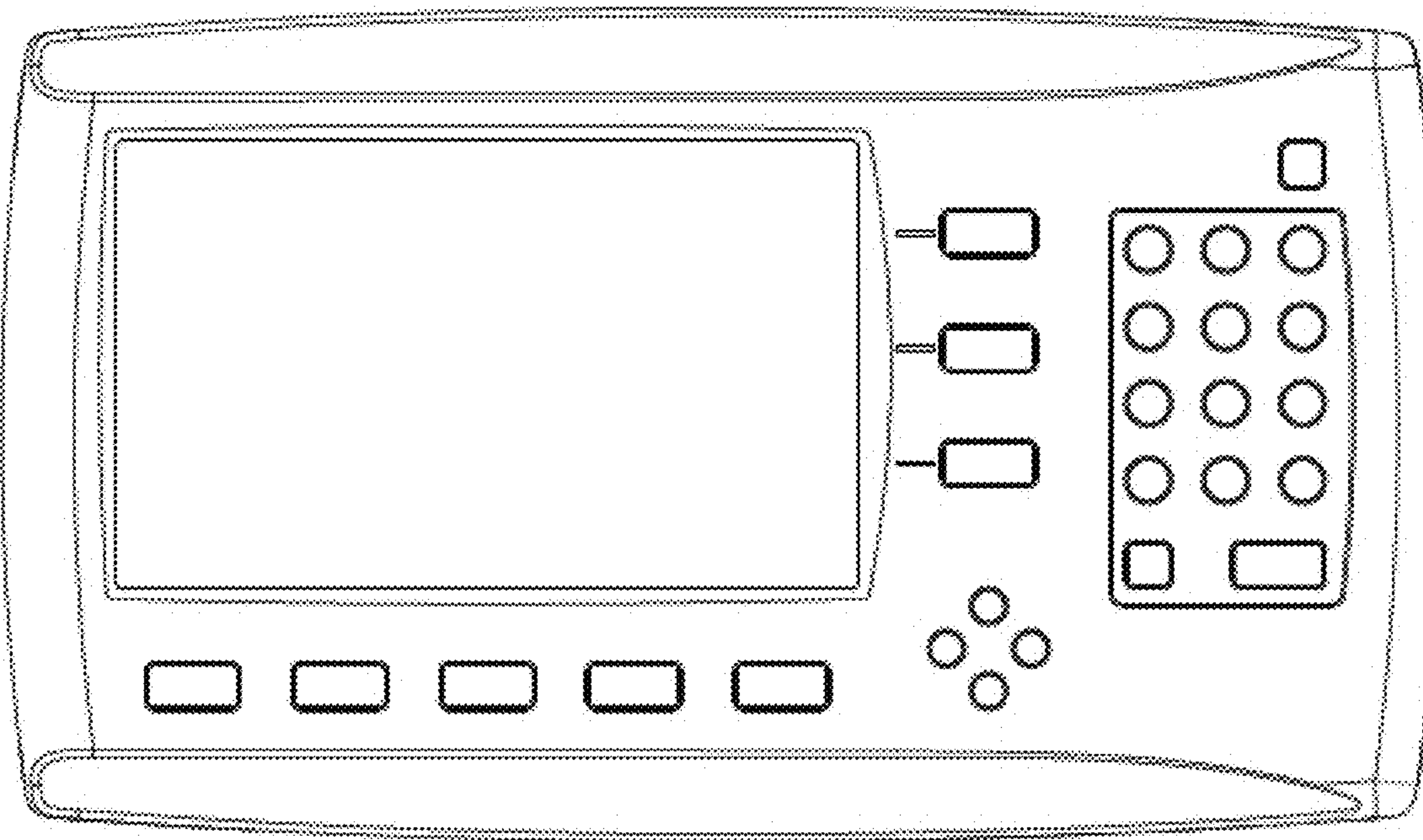


FIG. 4

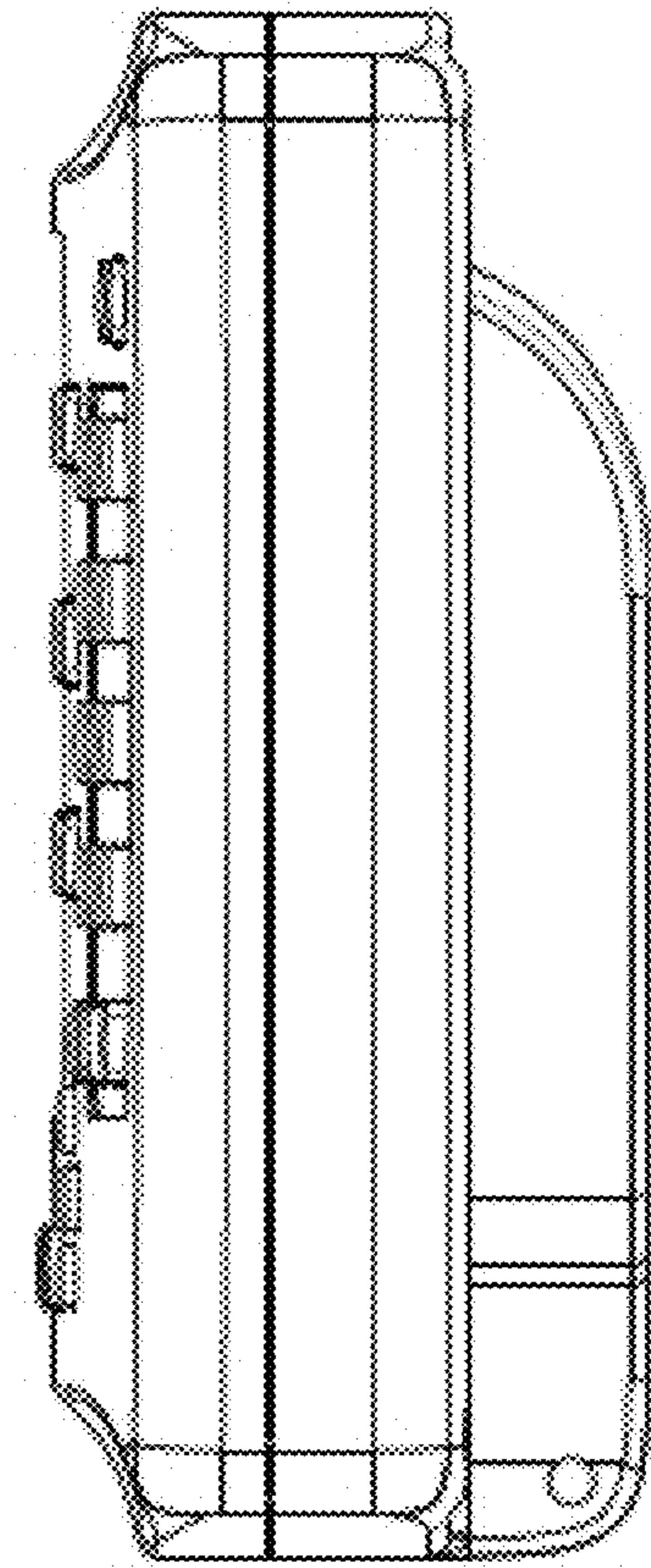


FIG. 5

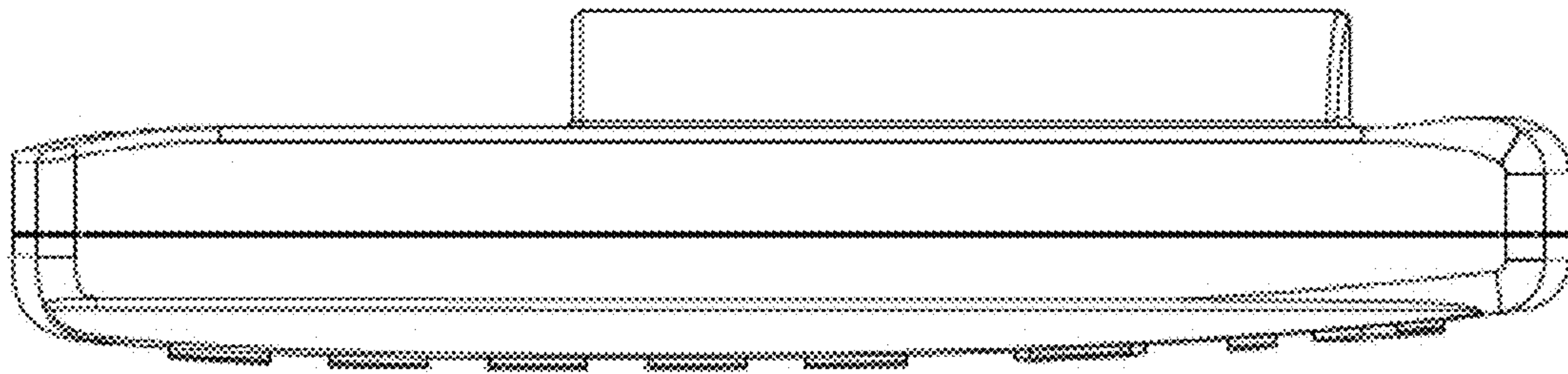


FIG. 6

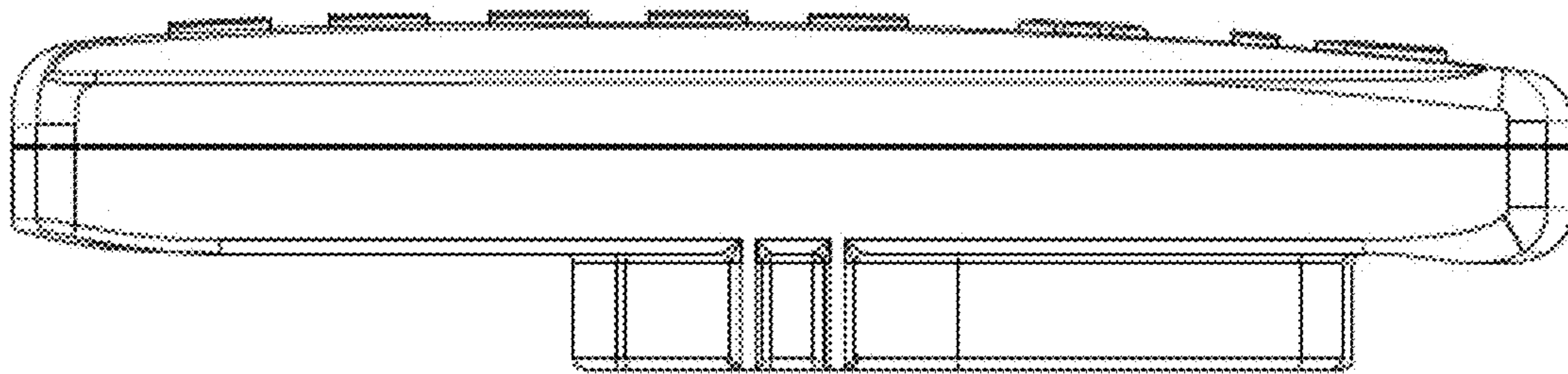


FIG. 7

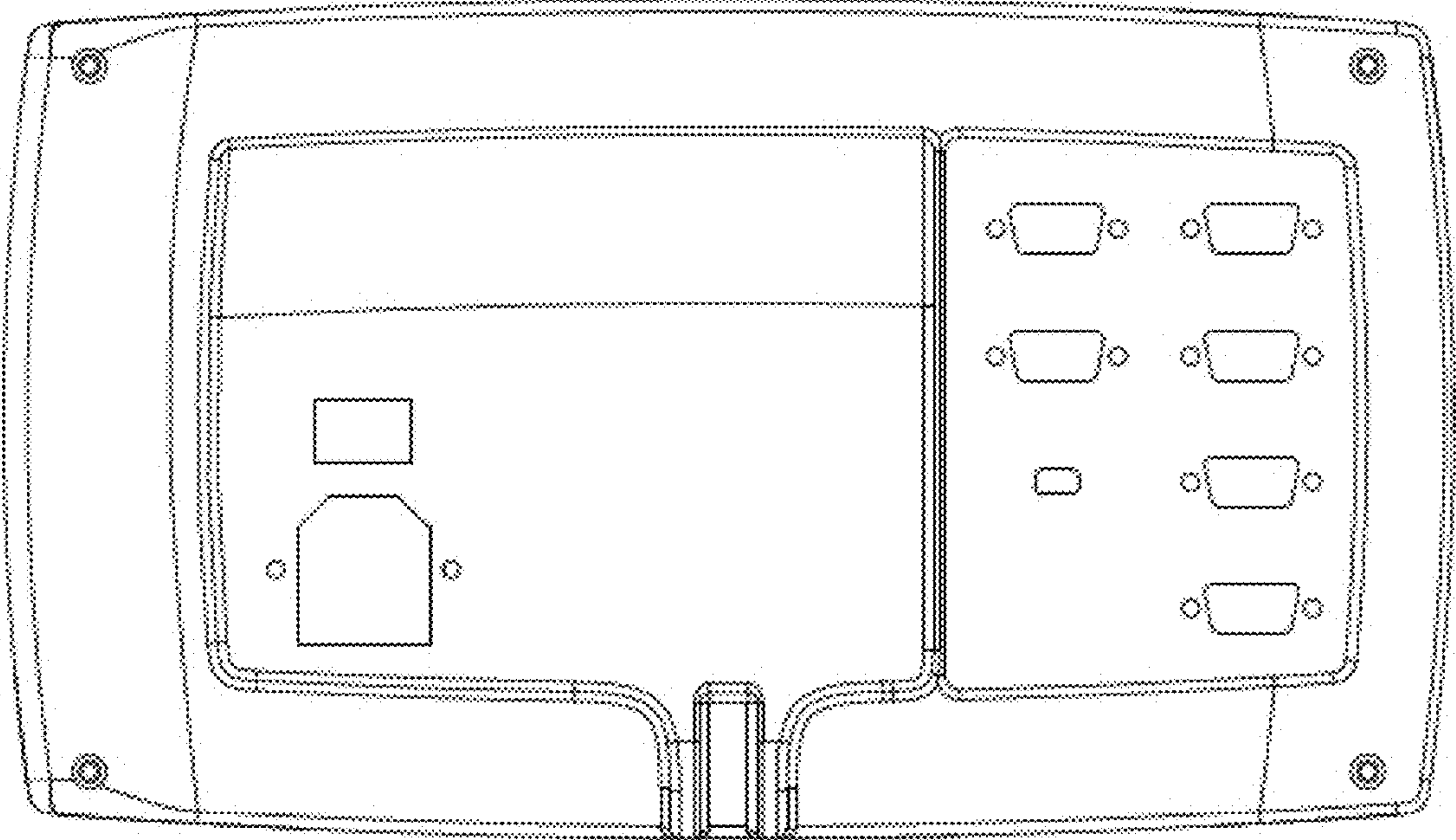


FIG. 8