



US00D852649S

(12) **United States Design Patent** (10) **Patent No.:** **US D852,649 S**
Burns et al. (45) **Date of Patent:** **** Jul. 2, 2019**

(54) **COMBINED FLEXIBLE SENSOR ARRAY AND SENSORS**

D760,098 S * 6/2016 Benoit D10/70
D760,903 S * 7/2016 Lin D24/165
D766,118 S * 9/2016 Wong D10/79
D789,814 S * 6/2017 Kodama D10/79
D791,221 S * 7/2017 Slaton G10G 7/02
D17/20
2015/0316396 A1* 11/2015 Mandokoro F15B 15/2892
73/431

(71) Applicant: **Bruin Biometrics, LLC**, Los Angeles, CA (US)

(72) Inventors: **Martin Fitzgerald Burns**, Los Angeles, CA (US); **Herman Louis Lelie, II**, Sherman Oaks, CA (US); **Rob Andre Pecsar**, San Diego, CA (US)

(73) Assignee: **BRUIN BIOMETRICS, LLC**, Los Angeles, CA (US)

(**) Term: **15 Years**

(21) Appl. No.: **29/566,806**

(22) Filed: **Jun. 2, 2016**

(51) **LOC (11) Cl.** **10-07**

(52) **U.S. Cl.**
USPC **D10/46**

(58) **Field of Classification Search**
USPC D10/46, 49, 70, 79, 80, 100, 104.1, 121;
D15/199
CPC G01D 5/22; G01D 5/225; G01D 5/2258;
F15B 15/2861

See application file for complete search history.

(56) **References Cited**

U.S. PATENT DOCUMENTS

D242,608 S * 12/1976 Melvin D10/79
D242,609 S * 12/1976 Melvin D10/79
D264,057 S * 4/1982 Kuramoto D10/79
D264,448 S * 5/1982 Kuramoto D10/79
D712,763 S * 9/2014 Zhenmei D10/80
D715,169 S * 10/2014 Chen D10/79
D726,048 S * 4/2015 Wurts D10/79
D757,275 S * 5/2016 Lee D24/187
D757,942 S * 5/2016 Suwito D24/167
D760,097 S * 6/2016 Benoit D10/70

OTHER PUBLICATIONS

OrthoSonos, posted on bruinbiometrics.com, no posted date given, no production date given, [online], [site visited Aug. 4, 2017], Available from Internet, URL: <http://www.bruinbiometrics.com/us/orthosonos>.*

* cited by examiner

Primary Examiner — Garth Rademaker

Assistant Examiner — Fritzgerald L Butac

(74) *Attorney, Agent, or Firm* — David R. Marsh; Arnold & Porter Kaye Scholer LLP

(57) **CLAIM**

The ornamental design for a combined flexible sensor array and sensors, substantially as shown and described.

DESCRIPTION

FIG. 1 is a perspective view of a combined flexible sensor array and sensors.

FIG. 2 is a front view of the sensor of FIG. 1.

FIG. 3 is a rear view of the sensor of FIG. 1.

FIG. 4 is a right-hand-side view of the sensor of FIG. 1.

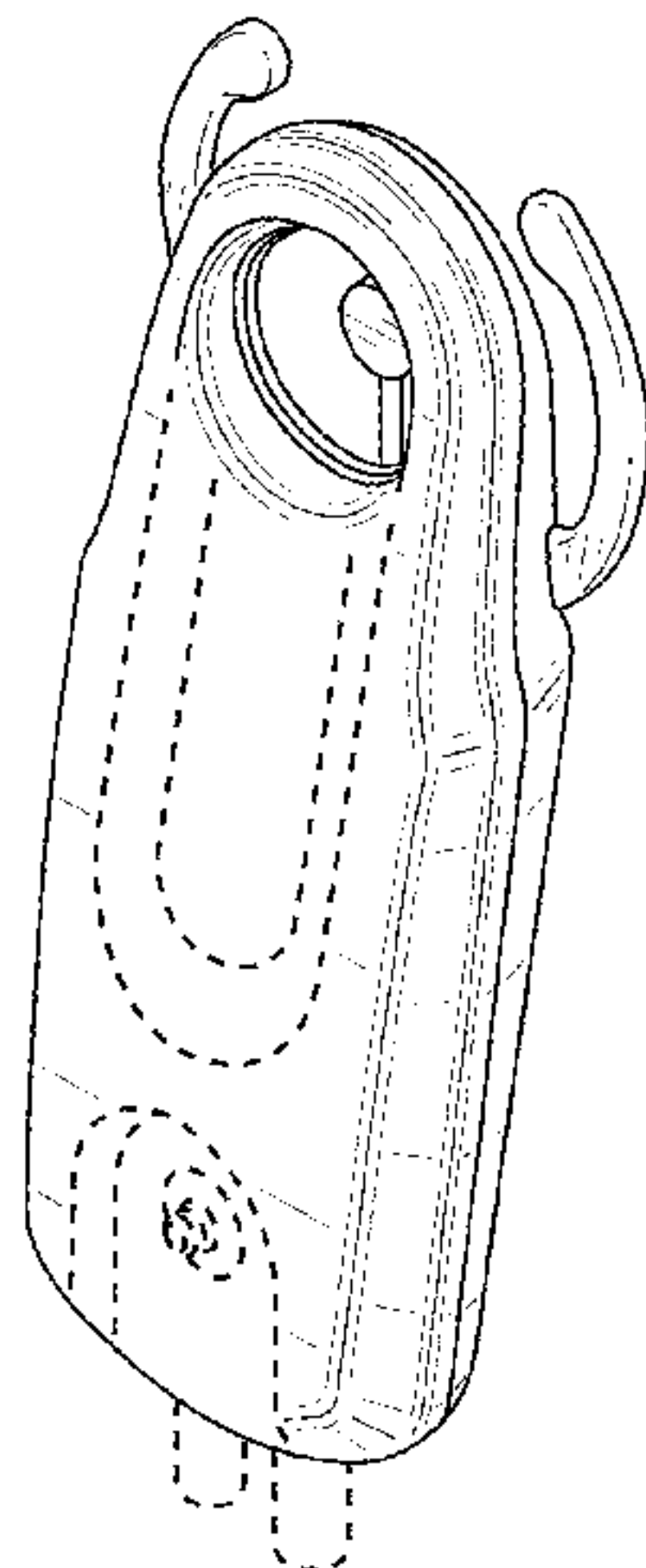
FIG. 5 is a left-hand-side view of the sensor of FIG. 1.

FIG. 6 is a top view of the sensor of FIG. 1; and,

FIG. 7 is a bottom view of the sensor of FIG. 1.

The broken lines show portions of a combined flexible sensor array and sensors that form no part of the claimed design.

1 Claim, 7 Drawing Sheets



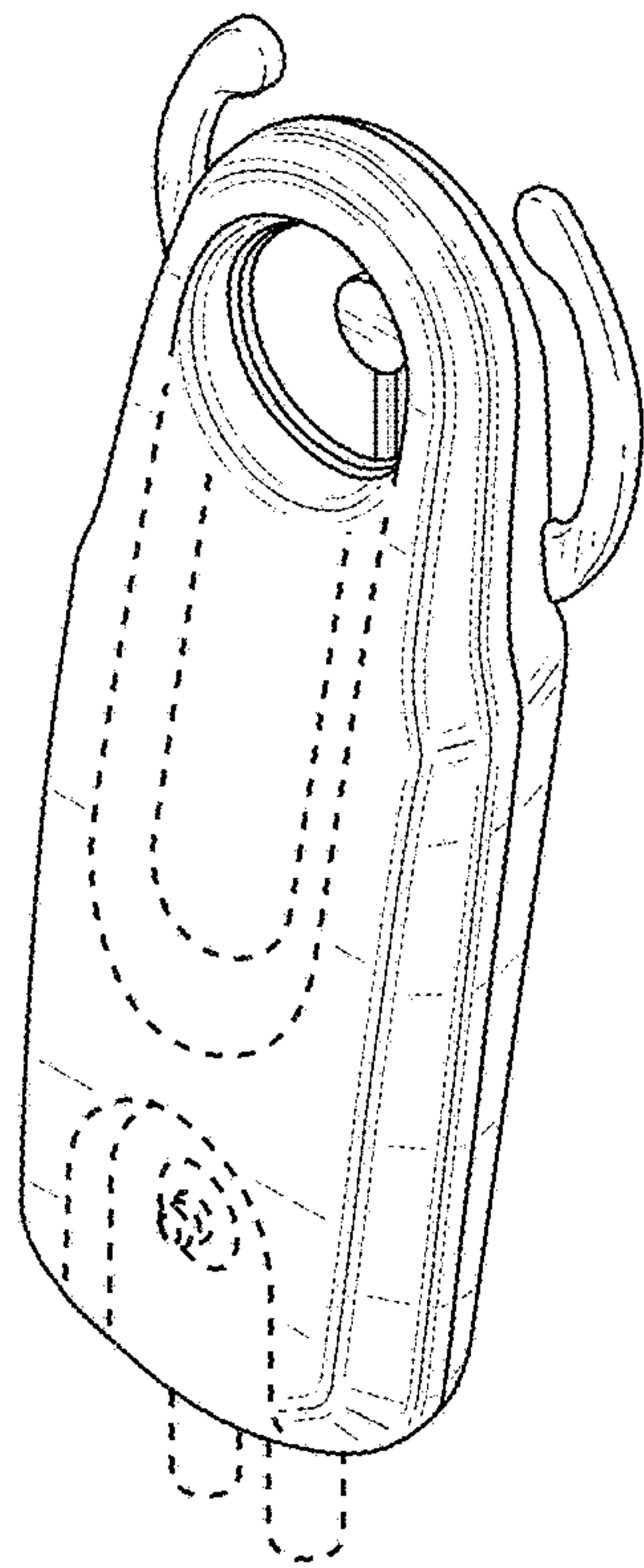


FIG. 1

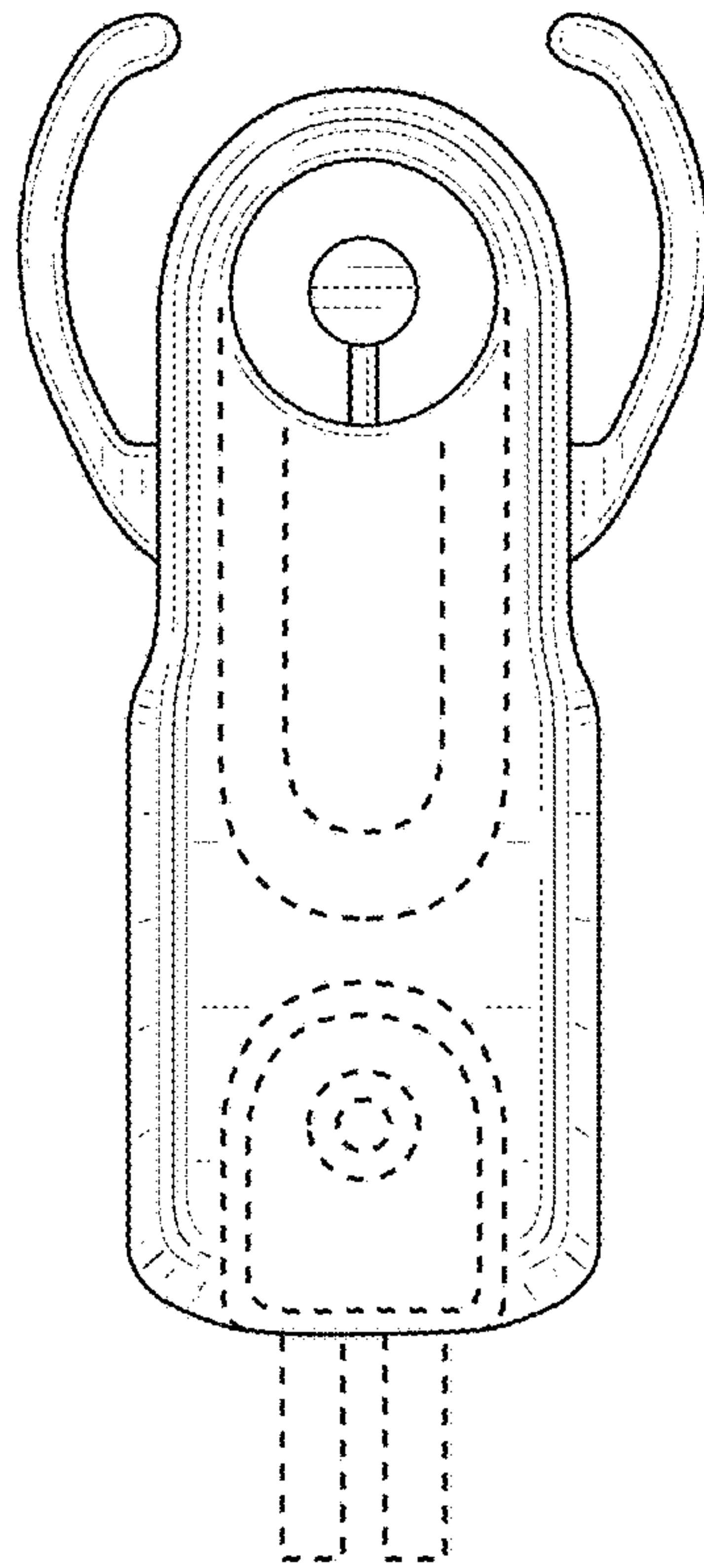


FIG. 2

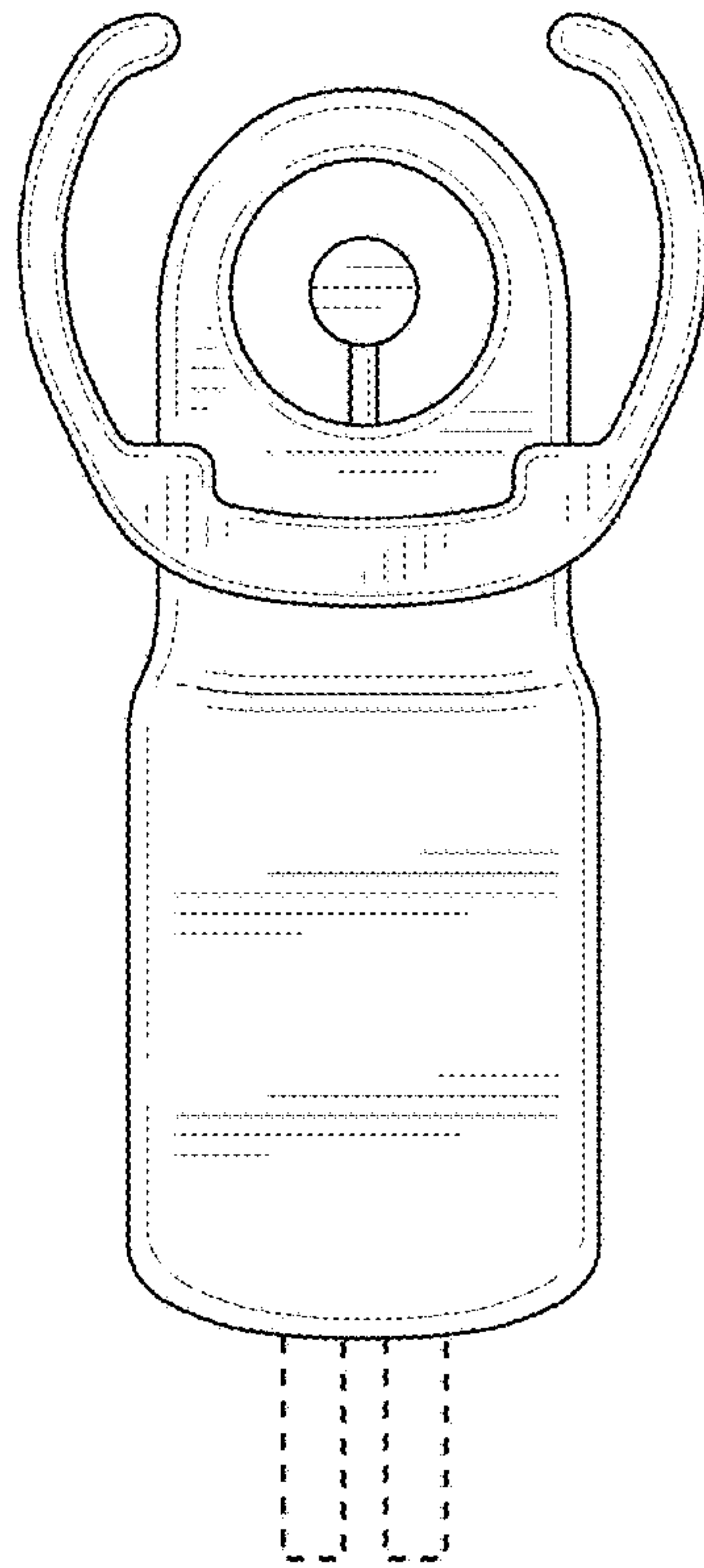


FIG. 3

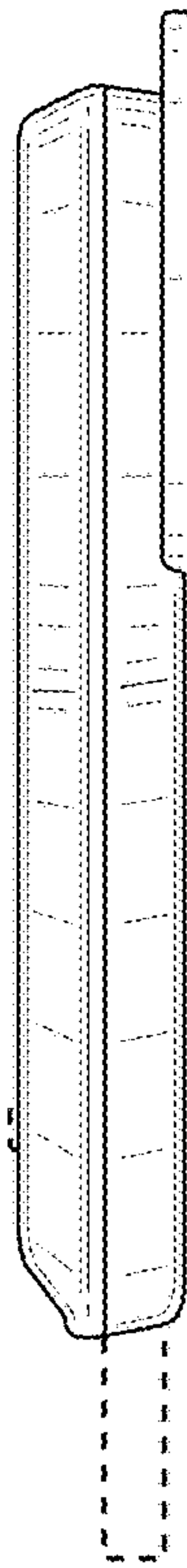


FIG. 4

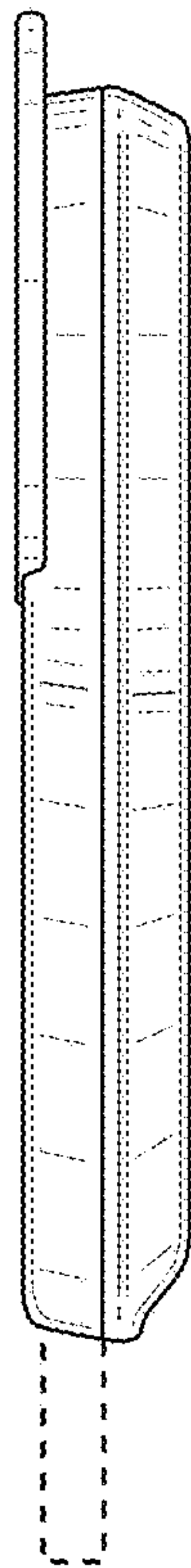


FIG. 5

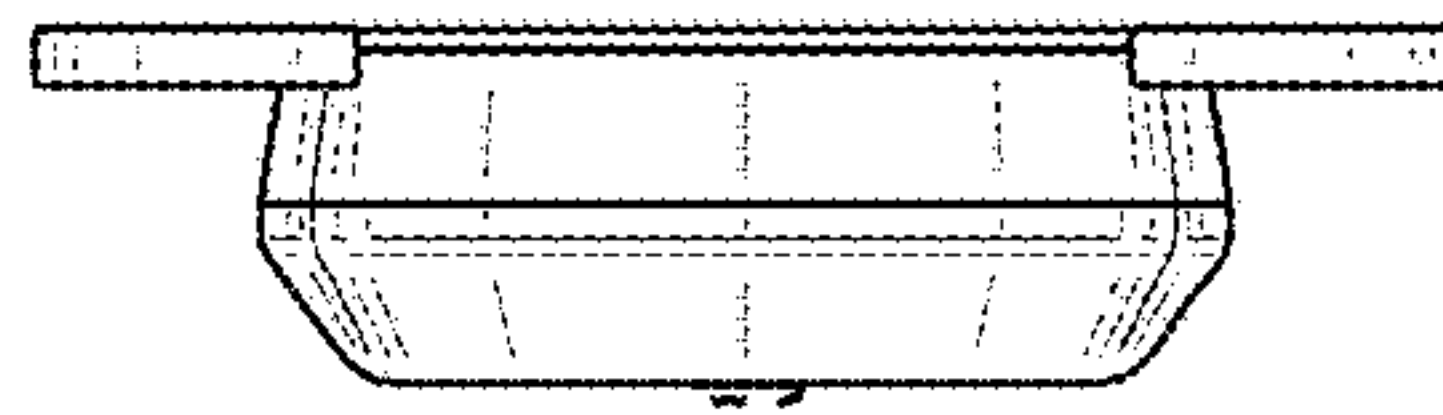


FIG. 6

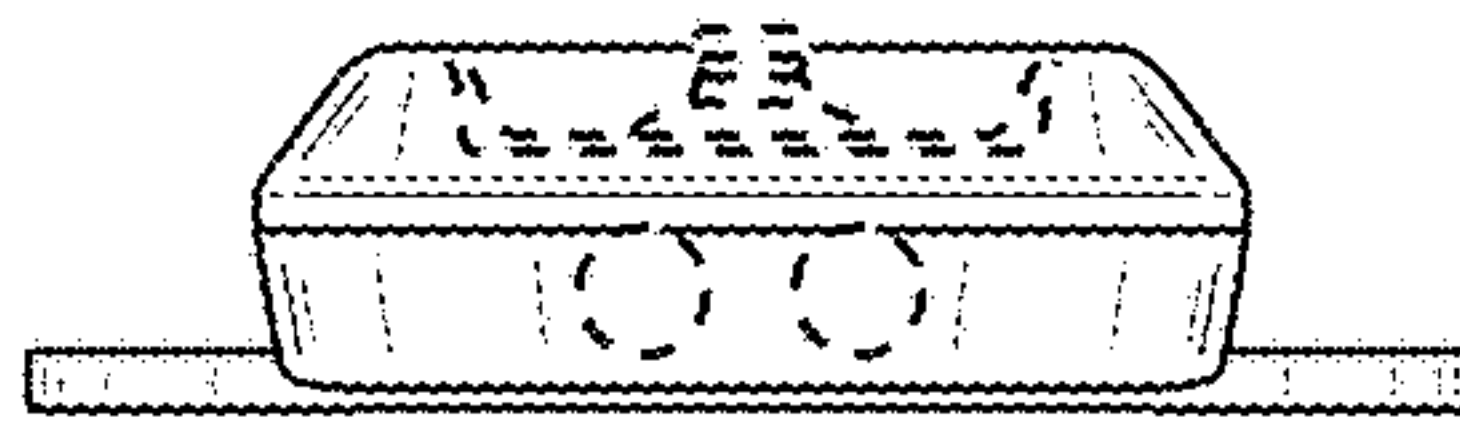


FIG. 7