



US00D852648S

(12) **United States Design Patent** (10) **Patent No.:** **US D852,648 S**  
**Chen** (45) **Date of Patent:** **\*\* Jul. 2, 2019**

(54) **WATCH**  
(71) Applicant: **Quanta Computer Inc.**, Taoyuan (TW)  
(72) Inventor: **I-Chi Chen**, Taoyuan (TW)  
(73) Assignee: **QUANTA COMPUTER INC.**,  
Guishan Dist., Taoyuan (TW)  
(\*\*) Term: **15 Years**  
(21) Appl. No.: **29/621,037**  
(22) Filed: **Oct. 4, 2017**  
(30) **Foreign Application Priority Data**

D331,020 S \* 11/1992 Ishii ..... D10/30  
D589,375 S \* 3/2009 Tang ..... D10/32  
D638,312 S \* 5/2011 Jacobs ..... D10/32  
D693,251 S \* 11/2013 Anderssen ..... D10/65  
D702,239 S \* 4/2014 Lee ..... D14/432  
D724,556 S \* 3/2015 Choi ..... D10/32  
9,101,184 B2 \* 8/2015 Wilson ..... A44C 5/14  
D739,768 S \* 9/2015 Hanshew ..... D10/30  
D742,761 S \* 11/2015 Grazian ..... D10/30  
D745,005 S \* 12/2015 Kim ..... D10/38  
D745,515 S \* 12/2015 Solomon ..... D14/344  
D751,550 S \* 3/2016 Solomon ..... D10/38  
D753,510 S \* 4/2016 Puttorngul ..... D10/30  
D759,622 S \* 6/2016 Dahlberg ..... D10/32  
D760,717 S \* 7/2016 Solomon ..... D14/344  
D761,675 S \* 7/2016 Thaveeprungsriporn ..... D10/38  
D762,210 S \* 7/2016 Lee ..... D14/344

(Continued)

Aug. 17, 2017 (TW) ..... 106304727  
(51) **LOC (11) Cl.** ..... **10-02**  
(52) **U.S. Cl.**  
USPC ..... **D10/32**  
(58) **Field of Classification Search**  
USPC ..... D10/1, 2, 5, 14-15, 30-32, 37-39,  
D10/40-41, 61, 70, 74, 80, 103, 122-124,  
D10/126-128, 132; D11/3; D14/344,  
D14/138 R, 432, 439, 440; D24/167, 186  
CPC ..... G04F 1/00; G04F 5/00; G04F 7/06; G04F  
7/062; G04F 7/065; G04F 3/00; G04F  
3/06; G04F 3/08; G04C 23/00; G04C  
23/02; G04C 23/04; G04C 23/06; G04C  
23/08; G04B 19/00; G04B 19/06; G04B  
45/00; G04B 37/00; A44C 5/00; A44C  
5/06; A44C 5/14; A45C 11/12; H04M  
1/00; H04M 1/18; H04B 1/3888  
See application file for complete search history.

*Primary Examiner* — Sandra S Snapp  
*Assistant Examiner* — Katherine Glennon  
(74) *Attorney, Agent, or Firm* — McClure, Qualey &  
Rodack, LLP

(57) **CLAIM**

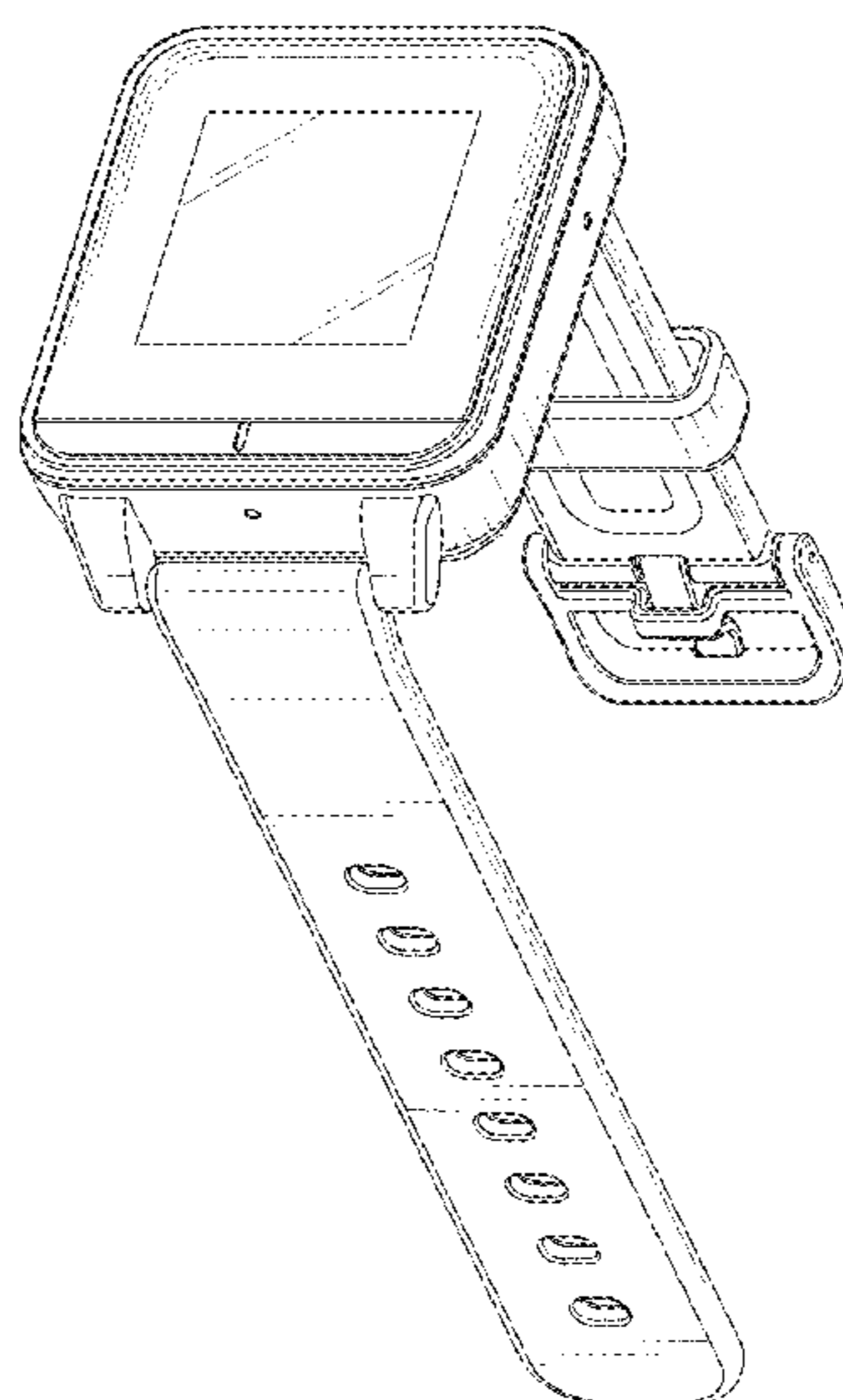
The ornamental design for watch, as shown and described.

**DESCRIPTION**

FIG. 1 is a front perspective view thereof;  
FIG. 2 is a front view thereof;  
FIG. 3 is a rear view thereof;  
FIG. 4 is a left side view thereof;  
FIG. 5 is a right side view thereof;  
FIG. 6 is a top plan view thereof;  
FIG. 7 is a bottom plan view thereof;  
FIG. 8 is a rear perspective view thereof; and,  
FIG. 9 is an enlarged view of a portion as defined by the  
dashed-line box 9 in FIG. 8.  
The broken lines in the FIGS. 3, 4, 8, and 9 illustrate portions  
of the watch that form no part of the claimed design.

(56) **References Cited**  
U.S. PATENT DOCUMENTS  
D278,315 S \* 4/1985 Houlihan ..... D10/30  
D290,234 S \* 6/1987 Komatsu ..... D10/30

**1 Claim, 9 Drawing Sheets**



(56)

**References Cited**

U.S. PATENT DOCUMENTS

D765,072 S *	8/2016	Kwon .....	D10/38
D777,590 S *	1/2017	Nielsen .....	D10/39
D784,346 S *	4/2017	Tao .....	D10/103
D786,241 S *	5/2017	Chuang .....	D14/344
D789,357 S *	6/2017	Wu .....	D14/344
D805,513 S *	12/2017	Akana .....	D14/344
D807,877 S *	1/2018	Iwamatsu .....	D14/344
D813,058 S *	3/2018	Kanikananta .....	D10/32
D820,123 S *	6/2018	Chou .....	D10/70

\* cited by examiner

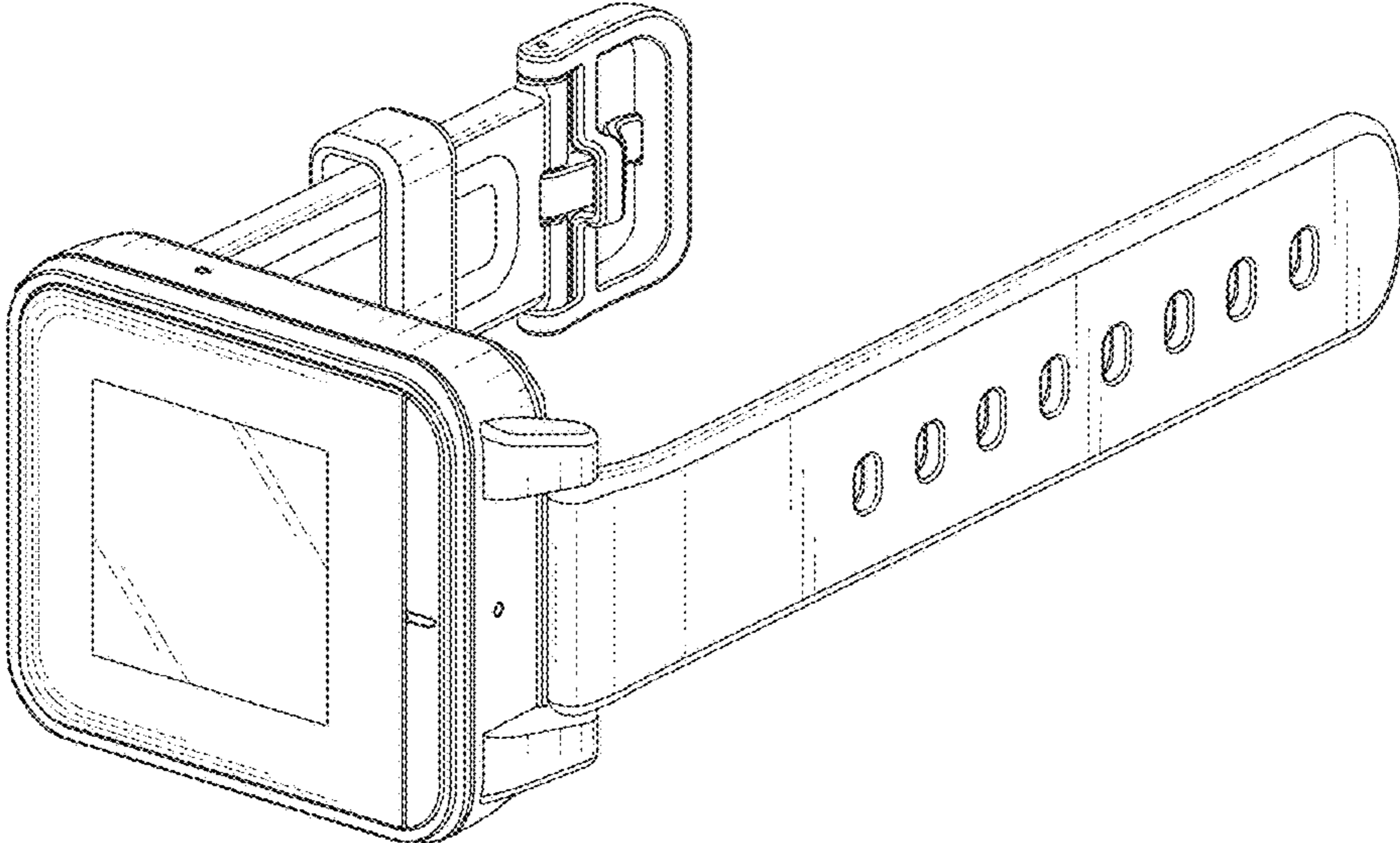


FIG. 1

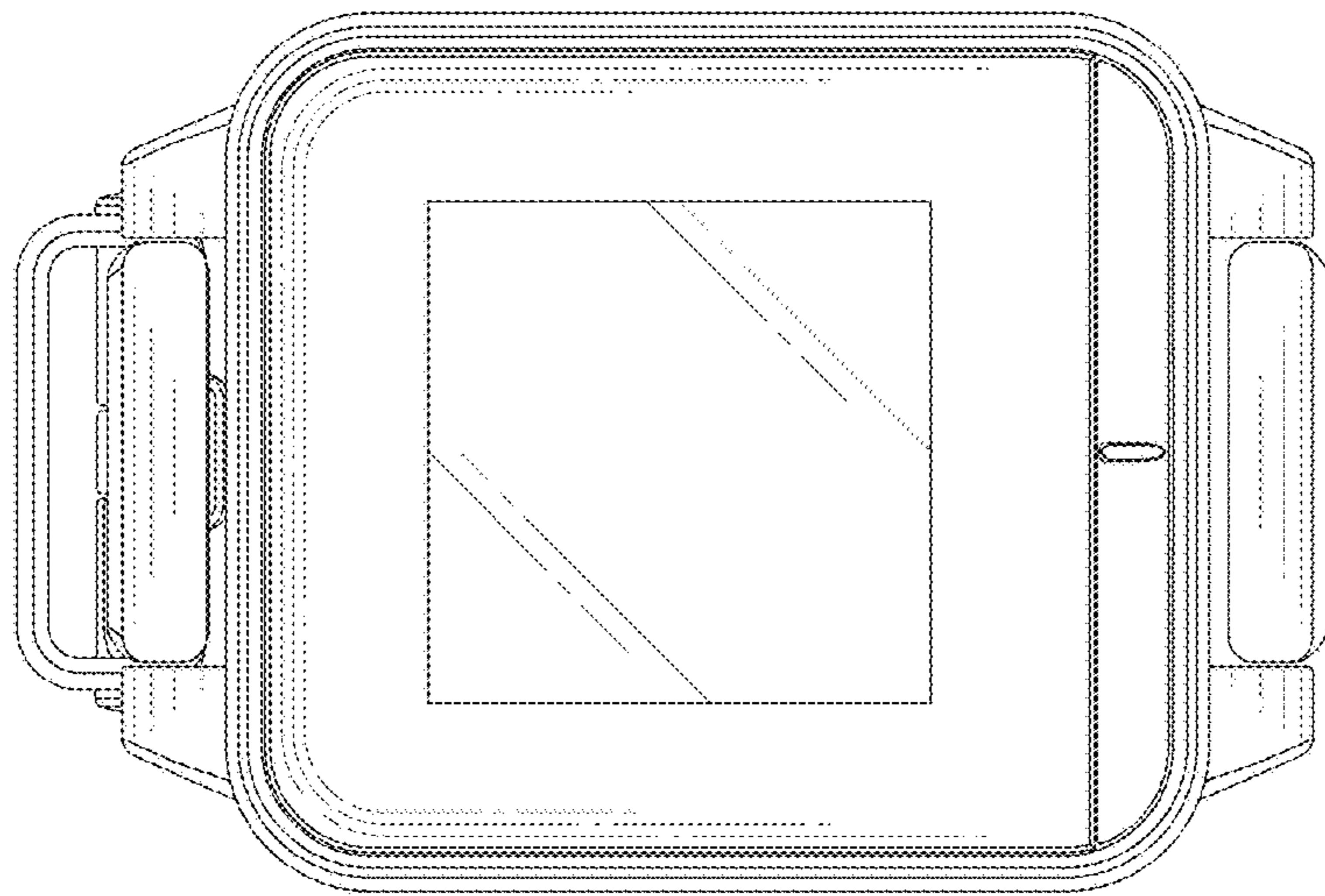


FIG. 2

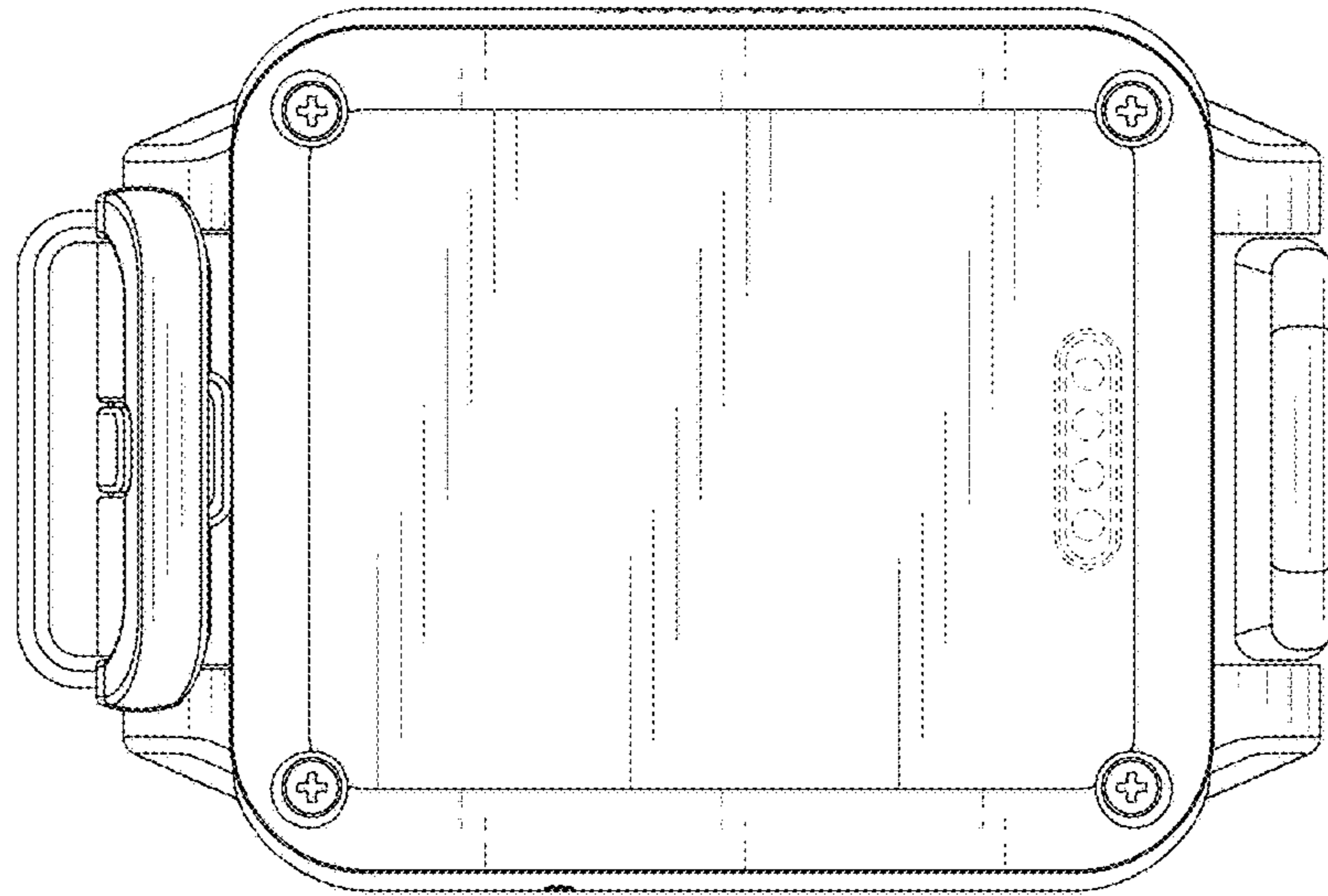


FIG. 3

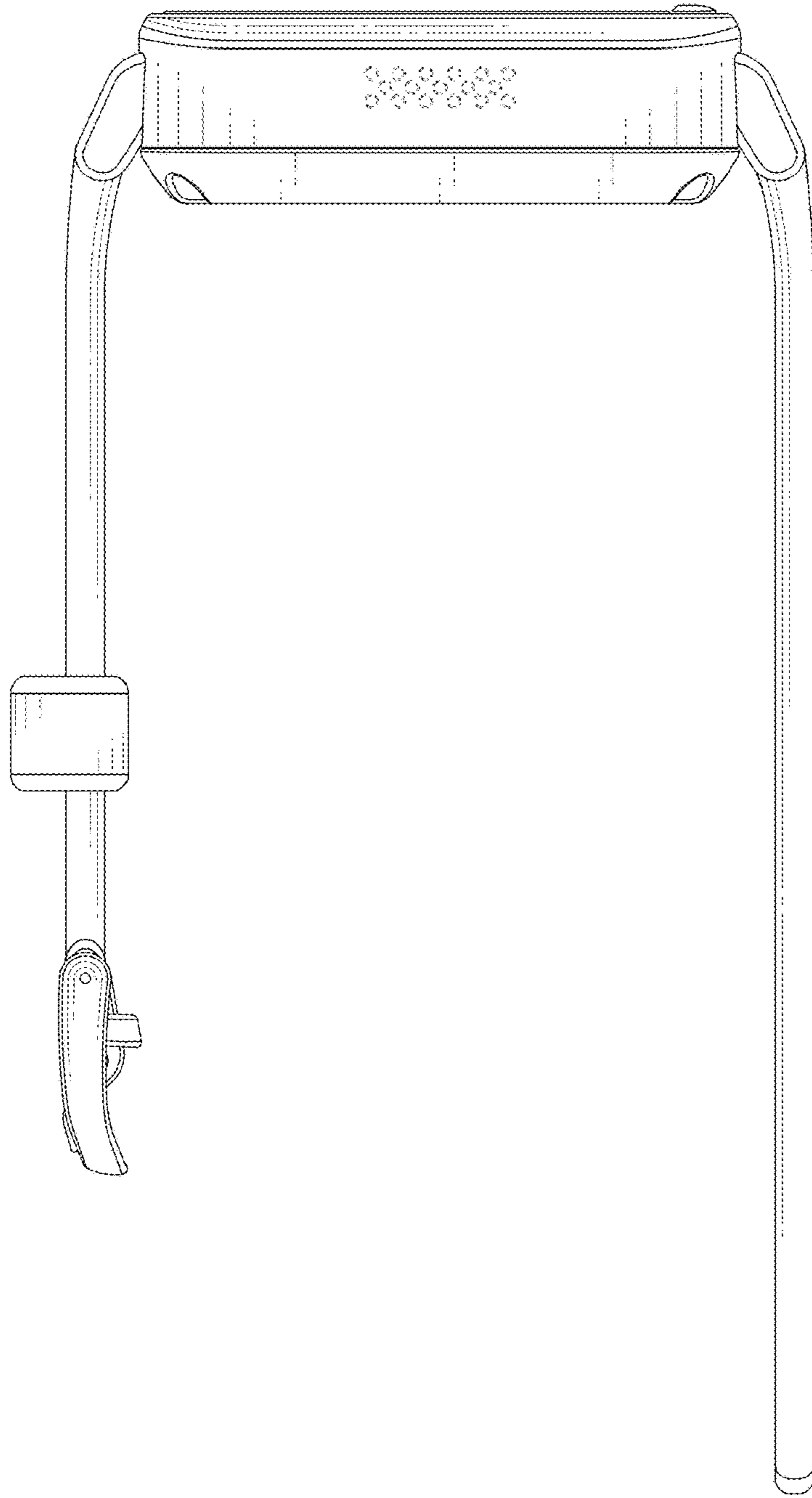


FIG. 4

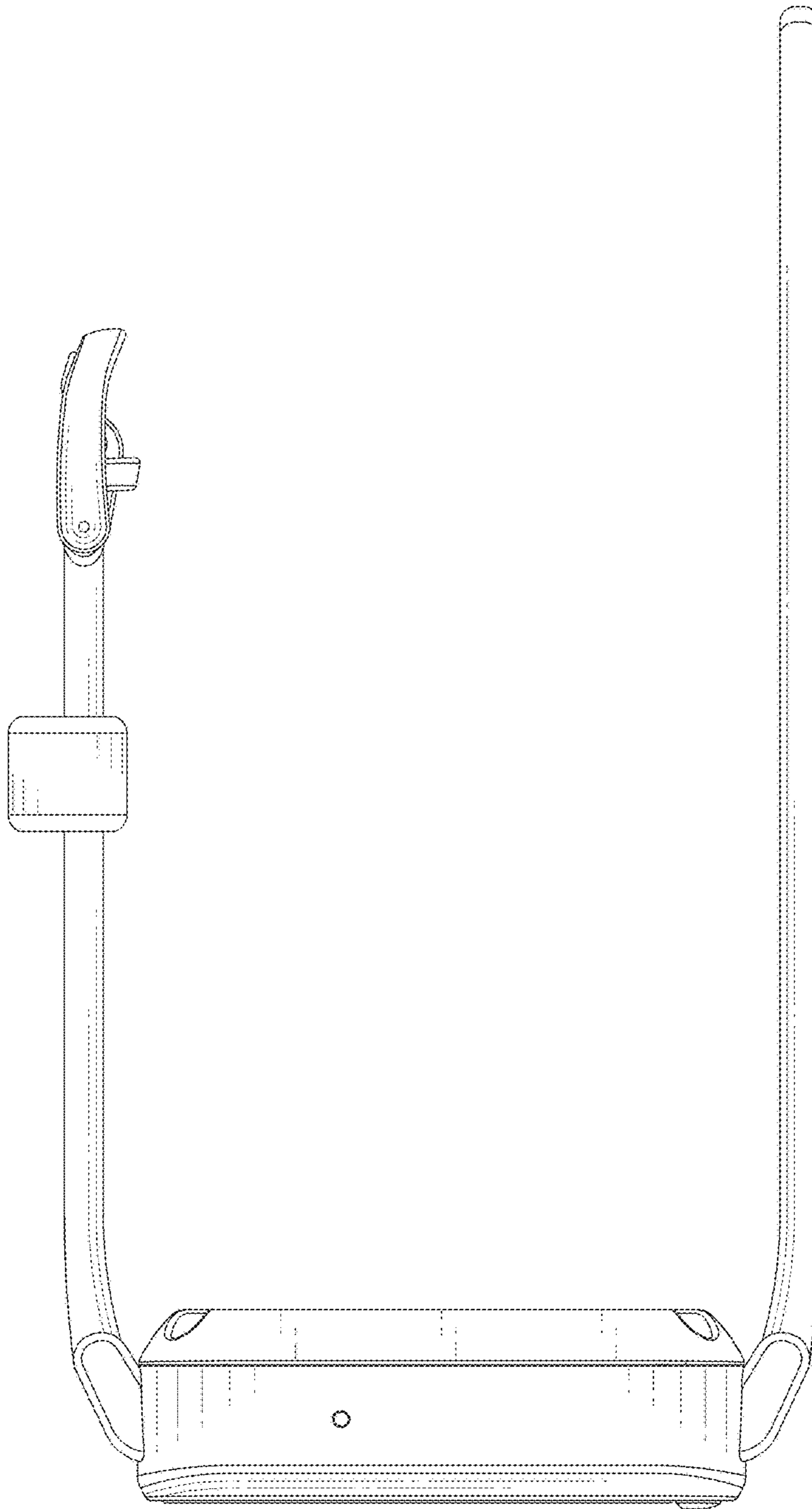


FIG. 5

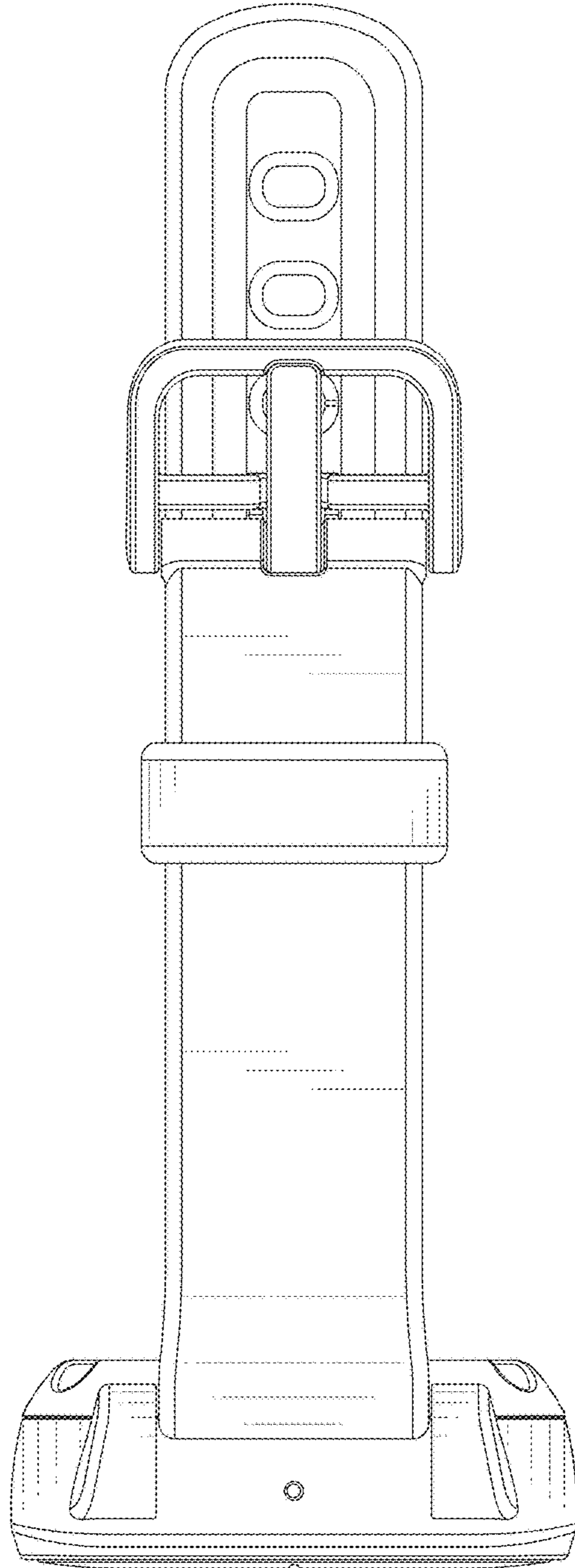


FIG.6



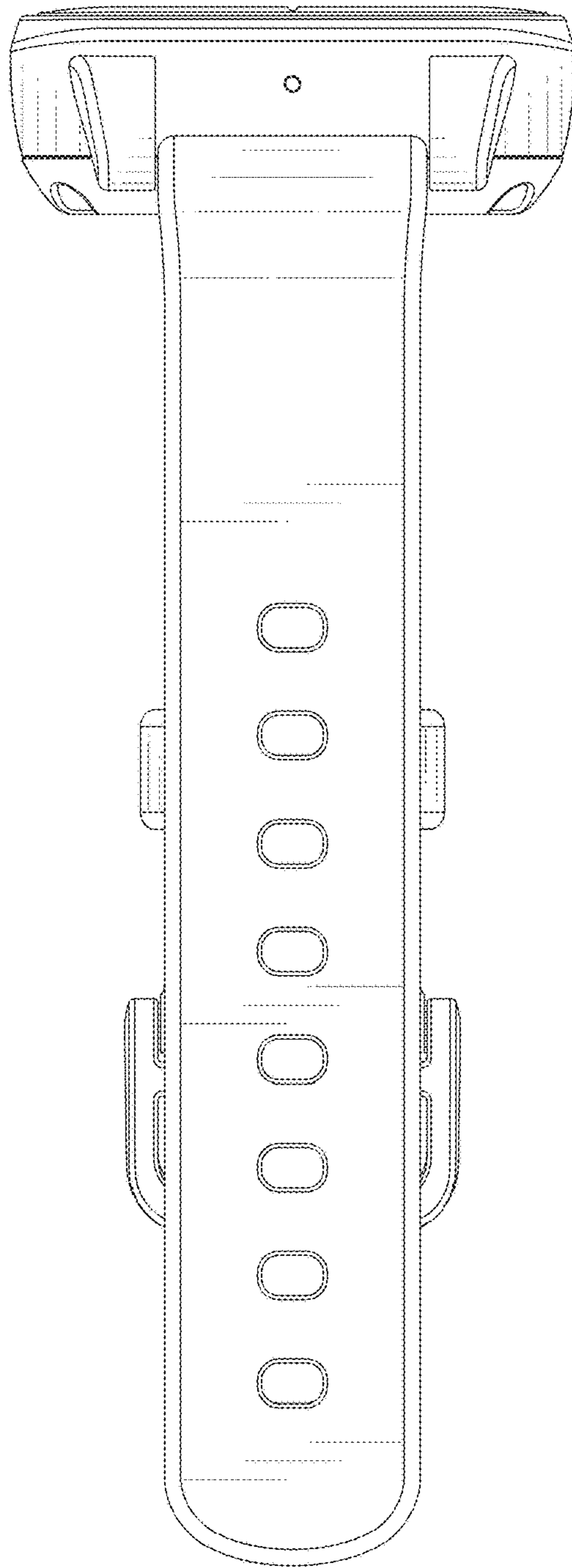


FIG. 7

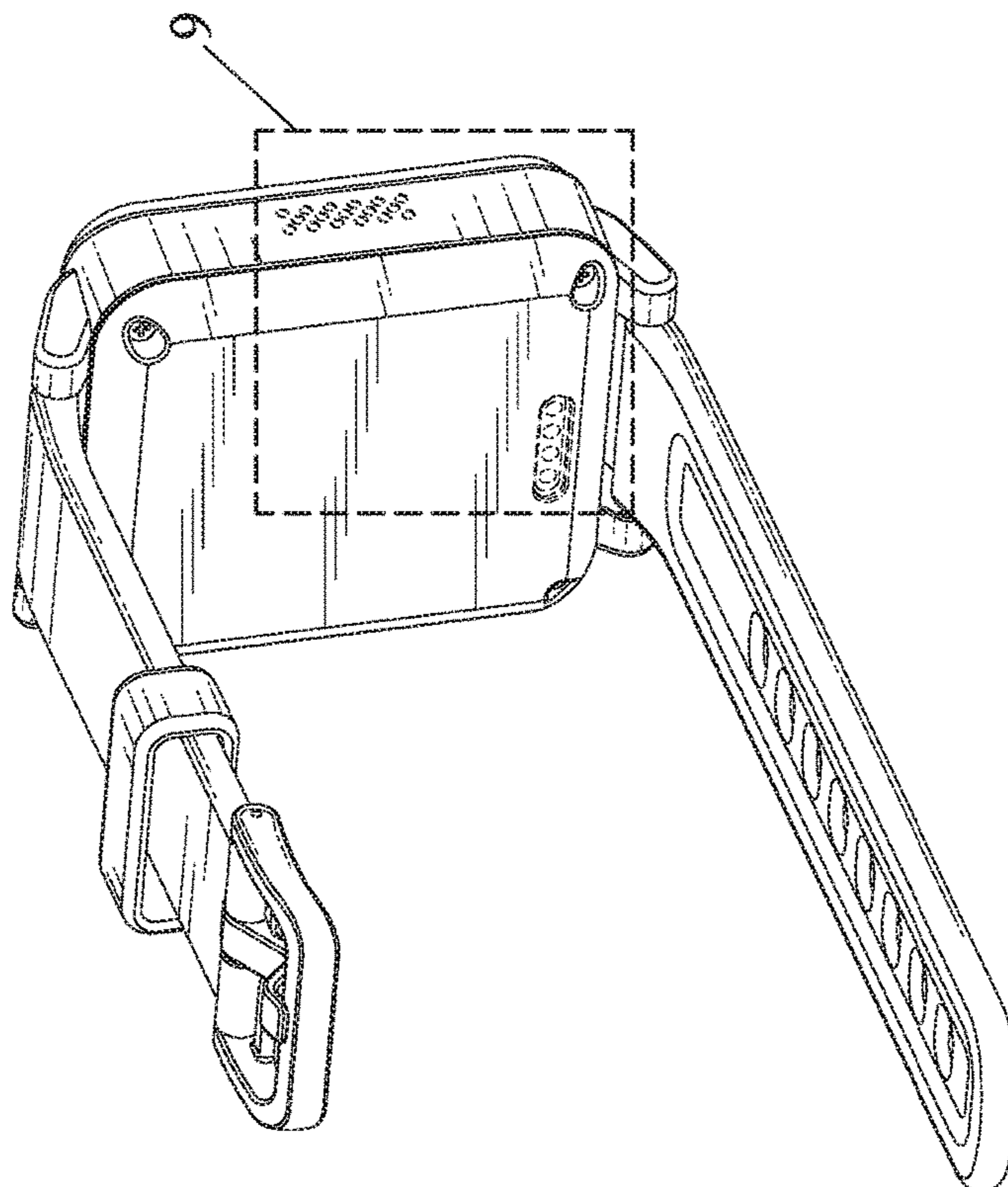


FIG. 8

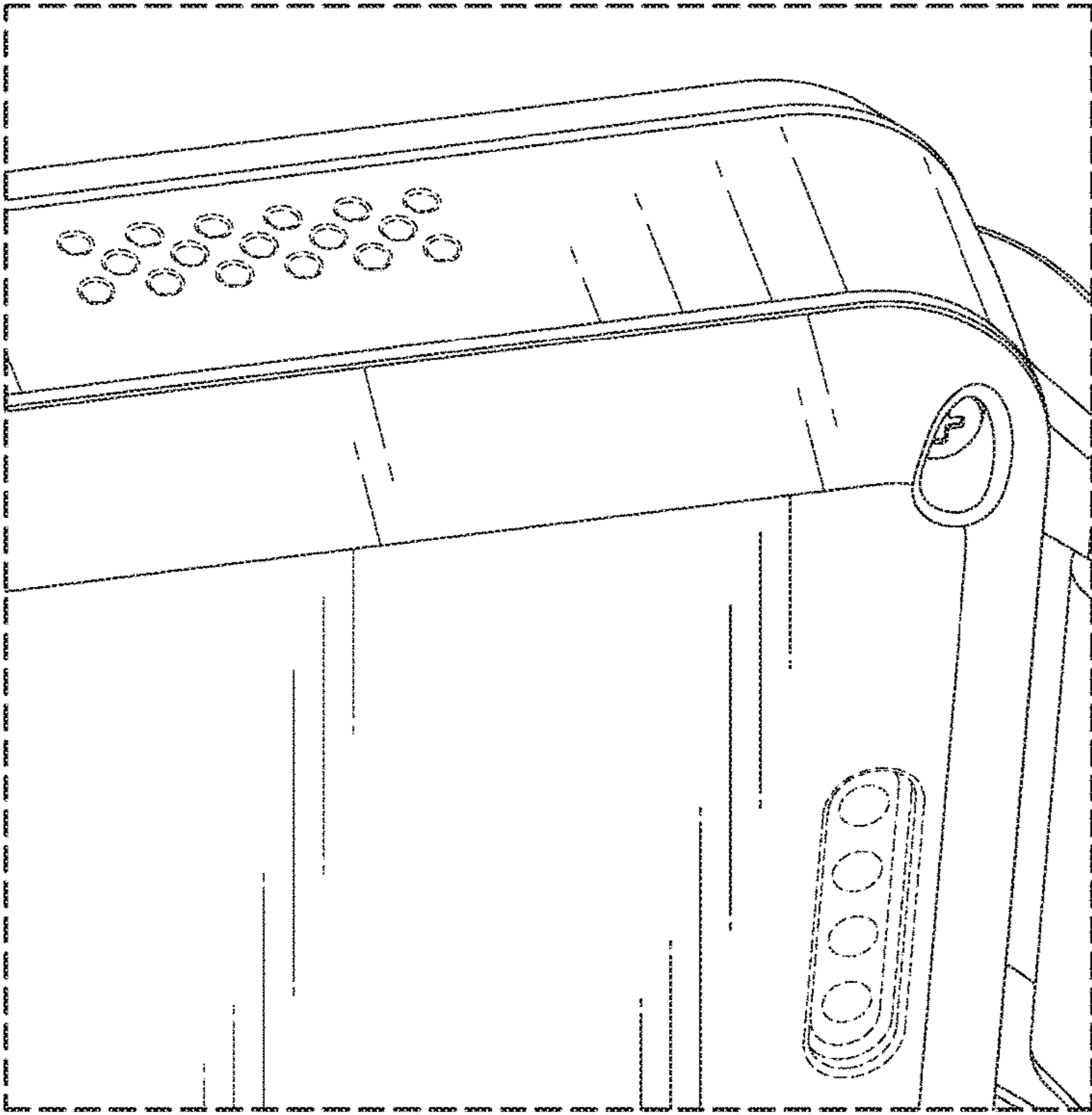


FIG. 9