

US00D852647S

(12) **United States Design Patent** (10) **Patent No.:** **US D852,647 S**  
**Burditt et al.** (45) **Date of Patent:** **\*\* Jul. 2, 2019**

(54) **DUAL COSMETICS JAR**  
(71) Applicant: **HCT GROUP HOLDINGS LIMITED**, Central (CN)  
(72) Inventors: **Stephen Charles Burditt**, Los Angeles, CA (US); **David Jeffrey Eberlein**, Los Angeles, CA (US)  
(73) Assignee: **HCT GROUP HOLDING LIMITED** (HK)

D203,137 S 12/1965 Braun  
D303,584 S 9/1989 Bakic  
D347,359 S \* 5/1994 Robbins, III ..... D7/512  
5,598,929 A 2/1997 Jensen et al.  
(Continued)

**FOREIGN PATENT DOCUMENTS**

KR 20090104593 A 10/2009  
WO 2006101339 A1 9/2006

**OTHER PUBLICATIONS**

Cosmopack Bologna 2016: The Great Reveal, available Apr. 28, 2016, [online], [site visited Aug. 31, 2018]. Available from internet, <URL: [https://www.beautypackaging.com/issues/2016-04-01/view\\_features/cosmopack-bologna-2016-the-great-reveal](https://www.beautypackaging.com/issues/2016-04-01/view_features/cosmopack-bologna-2016-the-great-reveal) (Year: 2016).\*  
(Continued)

(\*\*) Term: **15 Years**  
(21) Appl. No.: **29/583,724**  
(22) Filed: **Nov. 8, 2016**  
(51) **LOC (11) Cl.** ..... **09-01**  
(52) **U.S. Cl.**  
USPC ..... **D9/746**  
(58) **Field of Classification Search**  
USPC ..... D9/434, 435, 444, 445, 454, 500,  
D9/503-505, 529, 530, 537, 539, 549,  
D9/558, 715, 719, 737, 738, 741,  
D9/743-745; D28/4, 8, 73, 76, 77  
CPC ..... B65D 1/00; B65D 1/02; B65D 1/0207;  
B65D 1/0223; B65D 1/04; B65D 1/06;  
B65D 1/10; B65D 23/00; B65D 2501/00;  
B65D 2501/0009  
See application file for complete search history.

*Primary Examiner* — Cathron C Brooks  
*Assistant Examiner* — W. A. Teddy Falloway  
(74) *Attorney, Agent, or Firm* — Seager, Tufte & Wickhem LLP

(57) **CLAIM**

The ornamental design for a dual cosmetics jar, as shown and described.

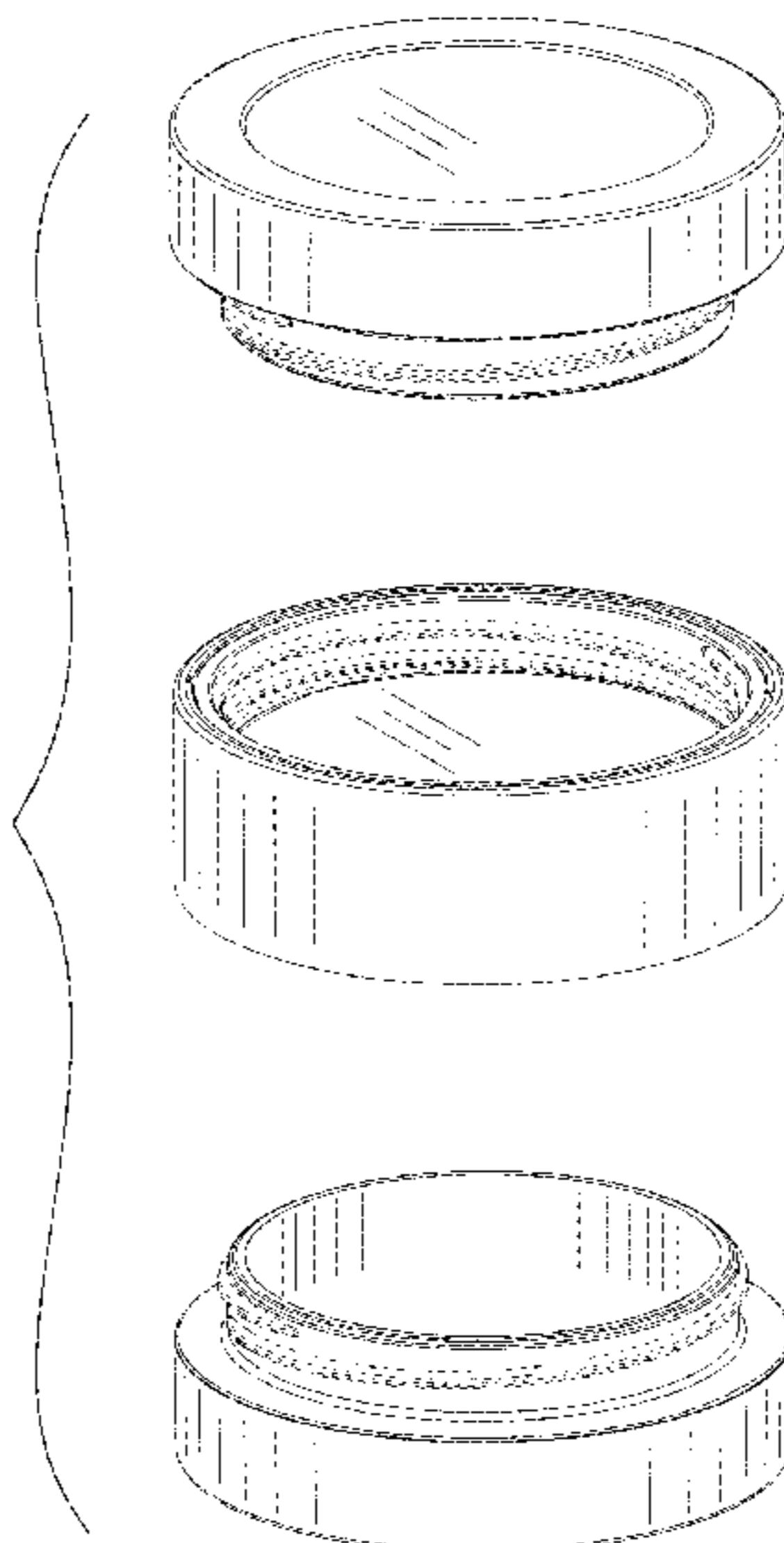
**DESCRIPTION**

FIG. 1 is a perspective view of a dual cosmetics jar showing the new design;  
FIG. 2 is a front elevational view thereof, the rear, left, and right views being the same as the front view thereof;  
FIG. 3 is a top view thereof, the bottom view being a mirror image thereof;  
FIG. 4 is a front elevational view thereof, with the two jars separated from the central lid assembly, the two jars being identical; and,  
FIG. 5 is a perspective exploded view thereof.  
The broken lines illustrate portions of the dual cosmetics jar that form no part of the claimed design.

(56) **References Cited**  
U.S. PATENT DOCUMENTS

1,156,456 A 10/1915 Beck  
1,357,306 A 11/1920 Aste  
D94,984 S 3/1935 Noble  
D117,705 S \* 11/1939 Abrams ..... D3/264  
D120,902 S \* 6/1940 Abrams ..... D9/746  
2,204,784 A \* 6/1940 Abrams ..... B65D 81/32  
15/258  
2,817,451 A 12/1957 Giles et al.

**1 Claim, 5 Drawing Sheets**



(56)

References Cited

U.S. PATENT DOCUMENTS

D432,224 S 10/2000 Hautmann et al.  
 6,138,687 A 10/2000 Sheffler et al.  
 D440,153 S \* 4/2001 Lin ..... D9/746  
 D442,338 S 5/2001 Roman  
 6,286,520 B1 \* 9/2001 Lin ..... A45D 33/00  
 132/293  
 D484,644 S \* 12/2003 Noh ..... D28/76  
 D504,542 S \* 4/2005 Noh ..... D28/76  
 D514,936 S \* 2/2006 Pace ..... D9/504  
 D515,439 S \* 2/2006 Pace ..... D9/746  
 7,028,843 B2 4/2006 Byun  
 7,337,787 B2 3/2008 Matsuoka  
 D581,279 S 11/2008 Oates  
 D582,772 S 12/2008 Bakic  
 D592,956 S 5/2009 Thiellier  
 D595,577 S \* 7/2009 Uneno ..... D28/76  
 D610,009 S 2/2010 Prufer  
 D613,603 S \* 4/2010 Rowland ..... D9/504  
 D615,867 S 5/2010 Sagaseki  
 D619,896 S 7/2010 Iwazu  
 7,909,195 B2 3/2011 Rathbone  
 7,959,369 B2 6/2011 Gueret  
 D645,352 S \* 9/2011 Bore ..... D9/443  
 D649,056 S \* 11/2011 Puigbo ..... D9/504  
 D651,519 S 1/2012 Gibson  
 8,132,578 B2 3/2012 LoPrete  
 D661,989 S 6/2012 Praster  
 8,210,187 B1 7/2012 Zhang  
 D664,840 S \* 8/2012 Jones ..... D9/423  
 D691,888 S 10/2013 Mettler  
 D729,626 S \* 5/2015 Hall ..... D9/519  
 D775,959 S \* 1/2017 Owen ..... D28/82  
 D778,175 S \* 2/2017 Eberlein ..... D9/503  
 D778,733 S \* 2/2017 Eberlein ..... D9/504  
 D796,329 S \* 9/2017 Burditt, Jr. .... D9/529

D814,705 S \* 4/2018 Norris ..... D28/82  
 2002/0056660 A1 5/2002 Gueret  
 2003/0057127 A1 \* 3/2003 Lambert ..... B65D 21/0213  
 206/581  
 2003/0154997 A1 8/2003 Lin  
 2003/0217761 A1 \* 11/2003 Maelstaf ..... A45D 33/006  
 132/294  
 2005/0011895 A1 1/2005 Lin  
 2009/0120938 A1 \* 5/2009 Liu ..... A45D 33/006  
 220/288  
 2009/0188518 A1 \* 7/2009 Thorpe ..... A45D 33/003  
 132/307  
 2009/0205673 A1 8/2009 Richardson  
 2011/0048443 A1 \* 3/2011 Pires ..... A45D 33/003  
 132/200  
 2016/0058069 A1 3/2016 Rushforth  
 2016/0083152 A1 3/2016 Eberlein  
 2016/0101927 A1 \* 4/2016 Empey ..... B65D 59/06  
 29/426.2  
 2016/0220007 A1 \* 8/2016 Montoli ..... A45D 33/00  
 2016/0270510 A1 \* 9/2016 Kang ..... A45D 33/24  
 2017/0079408 A1 \* 3/2017 Lee ..... A61Q 17/04  
 2018/0016055 A1 \* 1/2018 Tobey ..... B65D 13/02  
 2018/0020808 A1 \* 1/2018 Villarreal ..... A45D 34/043  
 401/126  
 2018/0086543 A1 \* 3/2018 Van Why ..... B65D 1/06  
 2018/0125198 A1 \* 5/2018 Burditt ..... A45D 34/06

OTHER PUBLICATIONS

HCTIGroup Double Jar, available May 23, 2016, [online], [site visited Aug. 31, 2018]. Available from internet, <URL: <https://hctgroup.com/products-details/> (Year: 2016).\*  
 Lekeus, "My Cosmetic Range" LeKeux HQ, retrieved on Feb. 24, 2015 at <http://lekeuxhq.blogspot.com/2014/11/my-cosmetics-range.html>, 6 Pages.

\* cited by examiner

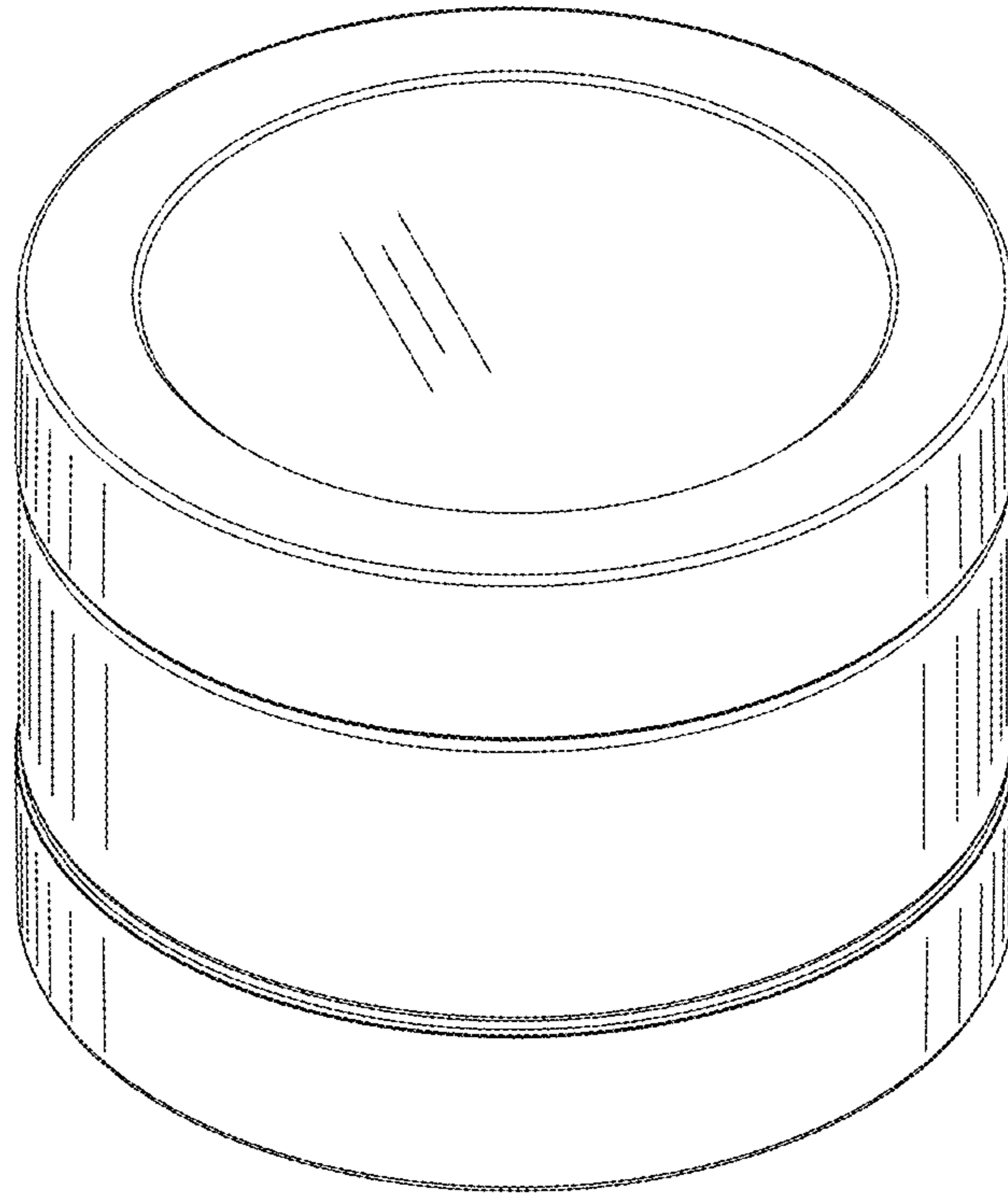


FIG. 1

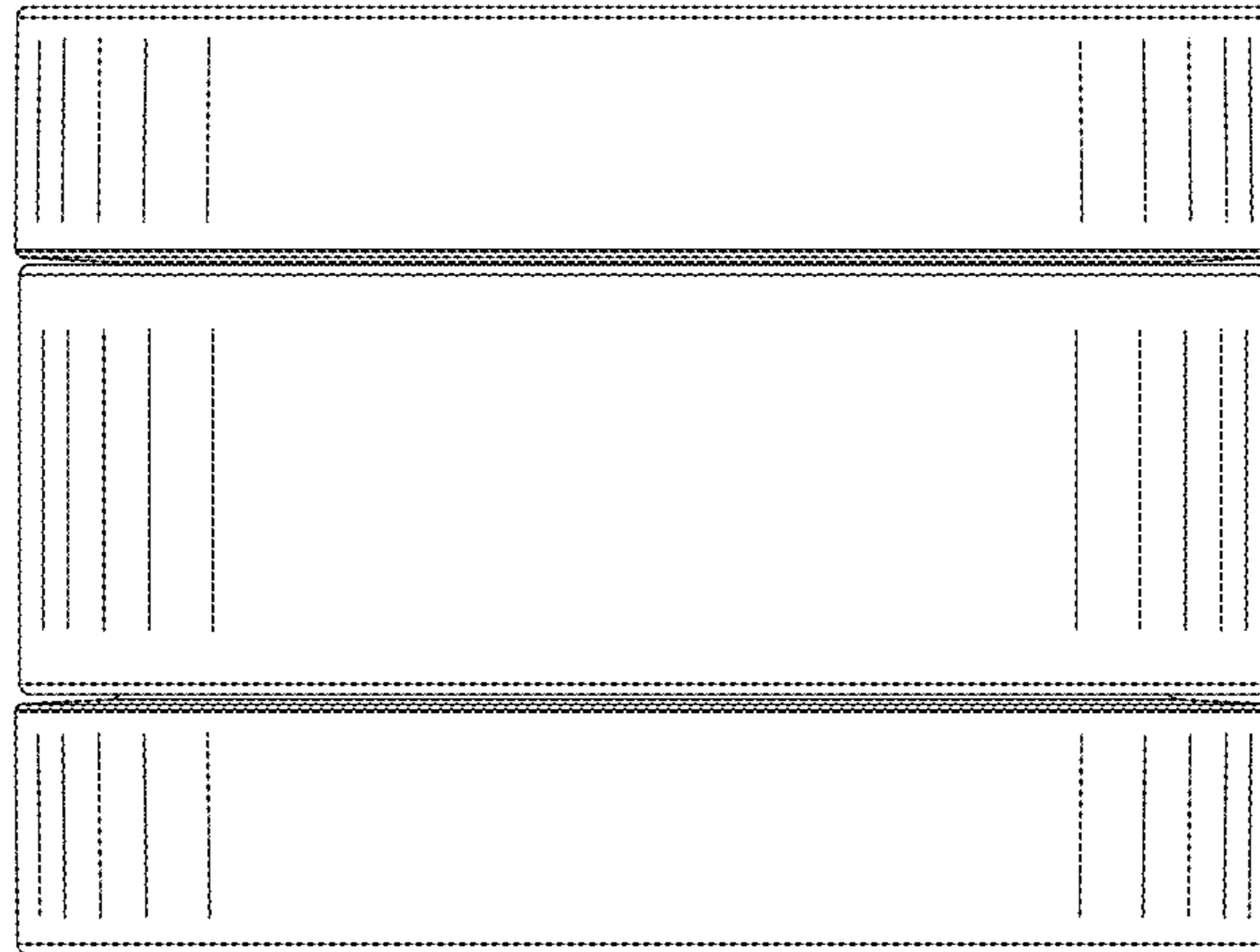


FIG. 2

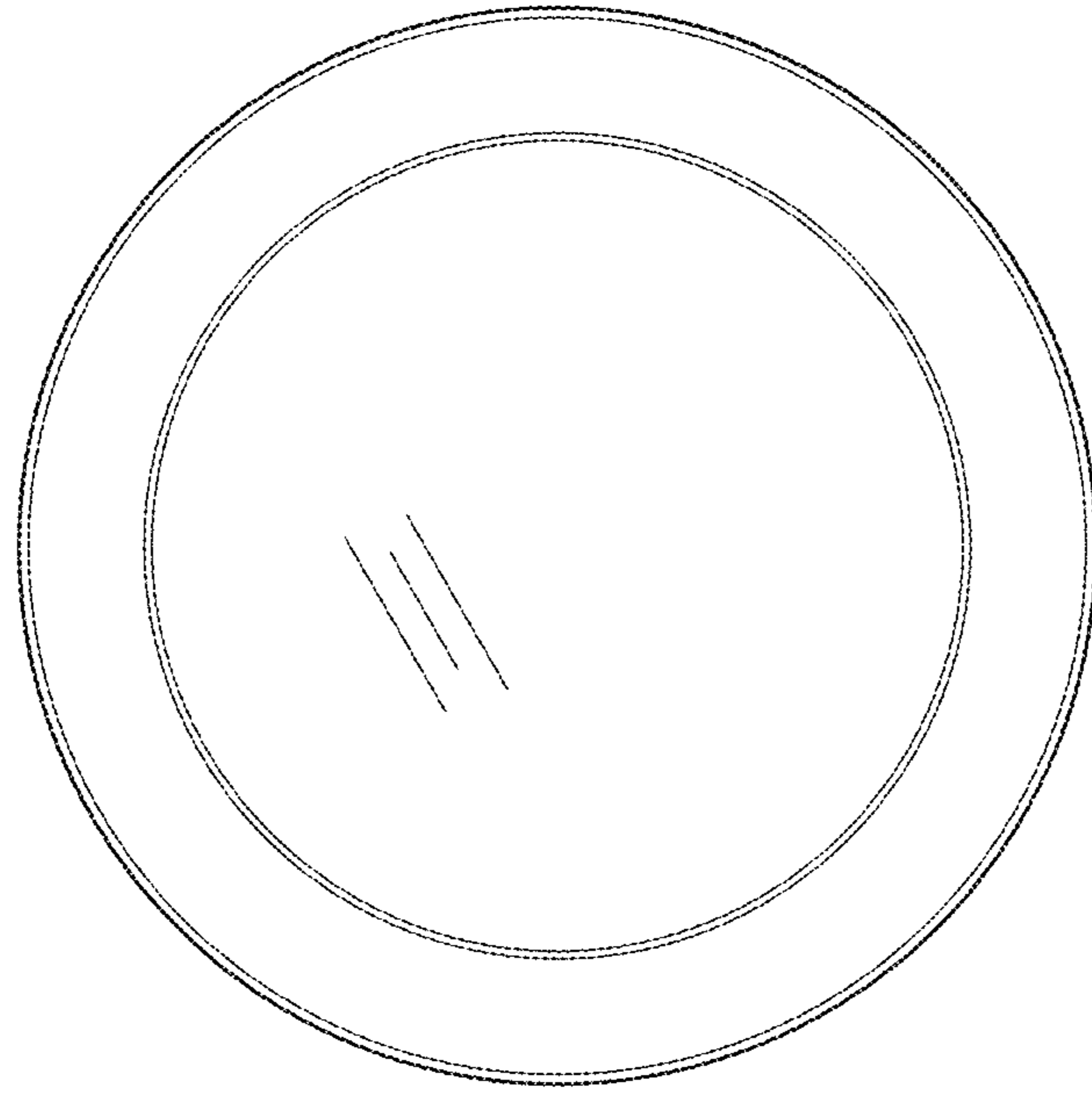


FIG. 3

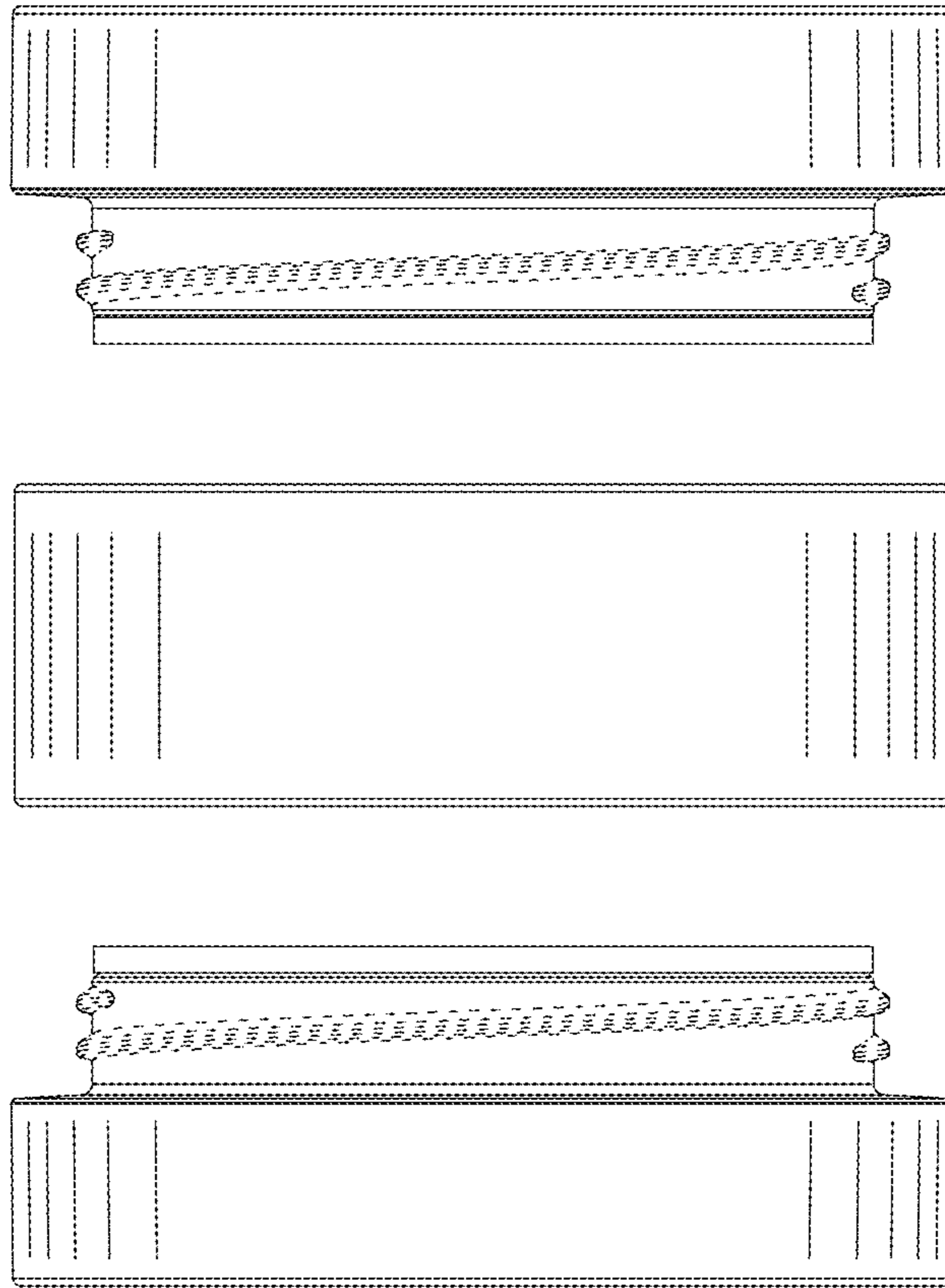


FIG. 4

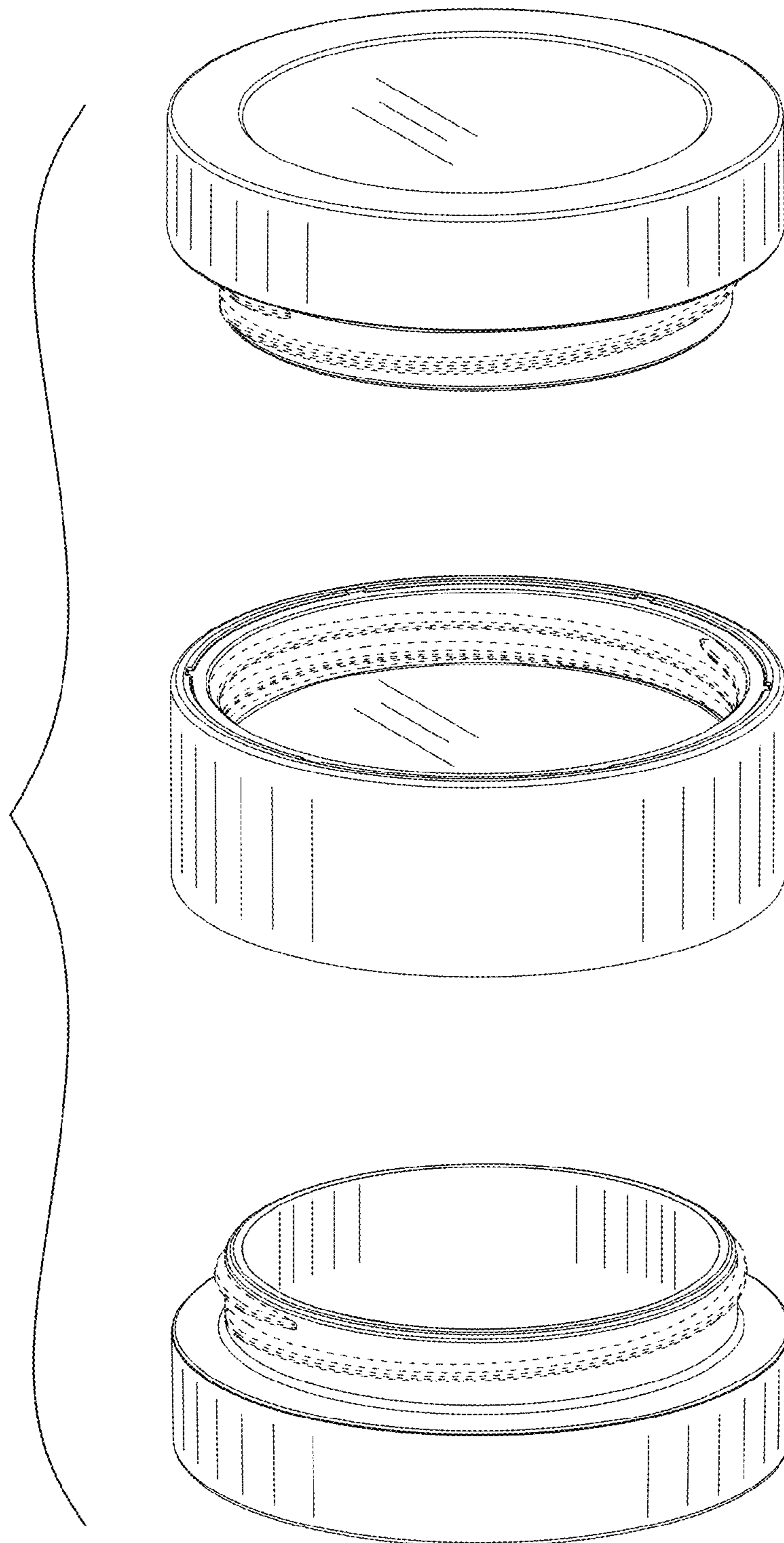


FIG. 5