



US00D852646S

(12) **United States Design Patent** (10) **Patent No.:** **US D852,646 S**  
**Wiesman** (45) **Date of Patent:** **\*\* Jul. 2, 2019**

- (54) **GEL CONTAINER**
- (71) Applicant: **Wiesman Holdings, LLC**, York, PA (US)
- (72) Inventor: **Jon Wiesman**, York, PA (US)
- (73) Assignee: **Wiesman Holdings, LLC**, York, PA (US)
- (\*\*) Term: **15 Years**
- (21) Appl. No.: **29/646,016**
- (22) Filed: **May 1, 2018**
- (51) **LOC (11) Cl.** ..... **09-05**
- (52) **U.S. Cl.**  
USPC ..... **D9/708**
- (58) **Field of Classification Search**  
USPC ..... D9/702-714, 720-722, 414, 434-435, D9/696, 716, 771, 447, 516-517, D9/738-747, 544, 520-521; D24/118, D24/207, 108; 383/6, 9, 22, 96, 61.1, 383/80-81, 104, 901, 63, 203, 107, 383/119-120, 123, 61.2, 44; 220/675, 220/495.03; 215/381-385, 400, 328, 316; 206/484; D3/202; 428/34.3; 222/92, 222/215, 95, 107; 604/408, 403, 415  
CPC ... B65D 1/00; B65D 1/02; B65D 1/09; B65D 1/10; B65D 1/32; B65D 1/0223; B65D 41/00; B65D 41/02; B65D 41/04; B65D 41/34; B65D 75/00; B65D 75/008; A61J 1/10; A61J 1/00  
See application file for complete search history.

- (56) **References Cited**  
U.S. PATENT DOCUMENTS  
3,730,393 A 5/1973 Ledewitz et al.  
4,394,936 A 7/1983 Shavit  
5,292,035 A 3/1994 Millar

- 5,307,955 A 5/1994 Viegas
- 5,655,687 A 8/1997 Fitten et al.
- 5,667,107 A 9/1997 Lindsey
- 5,927,566 A 7/1999 Mueller
- 6,050,451 A 4/2000 Hess, III et al.
- 6,079,594 A 6/2000 Brown et al.
- 6,131,806 A 10/2000 Hess, III et al.
- 6,152,324 A 11/2000 Baudin
- D474,683 S 5/2003 Berman
- 6,705,492 B2 3/2004 Lowry
- D502,092 S 2/2005 Berman
- D526,573 S 8/2006 Ueda
- D528,011 S 9/2006 Ueda
- D532,703 S 11/2006 Wild
- D619,906 S 7/2010 Carignan et al.
- 7,874,466 B2 1/2011 McConville et al.
- D638,719 S 5/2011 Sander
- D644,937 S 9/2011 Ueda et al.
- D664,862 S 8/2012 Smith et al.

(Continued)

*Primary Examiner* — Abraham Bahta  
(74) *Attorney, Agent, or Firm* — Barley Snyder

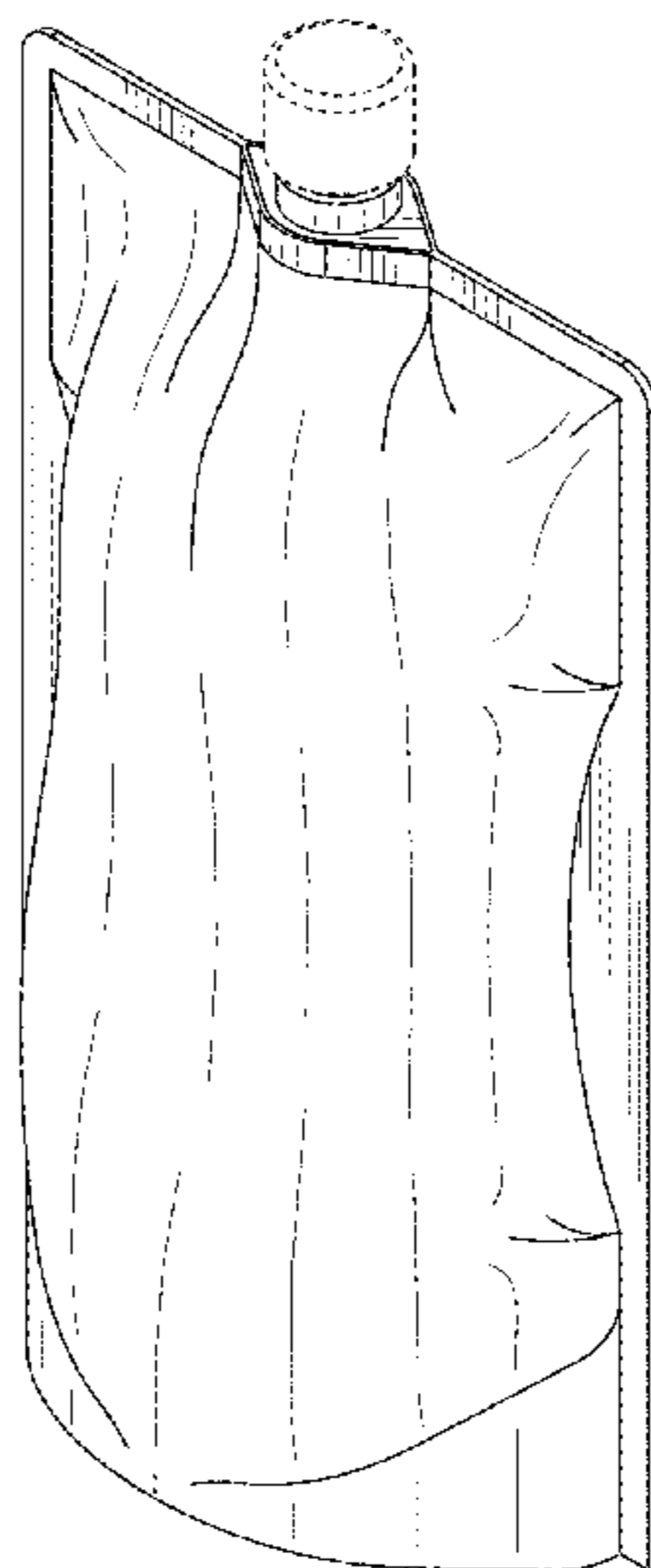
(57) **CLAIM**

The ornamental design for a gel container, as shown and described.

**DESCRIPTION**

FIG. 1 is a front, top and left side perspective view of a gel container;  
FIG. 2 is a top plan view thereof;  
FIG. 3 is a front elevation view thereof;  
FIG. 4 is a right side elevation view thereof;  
FIG. 5 is a rear elevation view thereof;  
FIG. 6 is a left side elevation view thereof;  
FIG. 7 is a bottom plan view thereof; and,  
FIG. 8 is a front, bottom and left side perspective view of the gel container.  
The broken lines shown in the Figures are included to show unclaimed subject matter only and form no part of the claimed design.

**1 Claim, 4 Drawing Sheets**



(56)

**References Cited**

U.S. PATENT DOCUMENTS

D667,313	S	9/2012	Hensen	
D709,773	S	* 7/2014	Murray	..... D9/702
D740,133	S	10/2015	Murray	
D769,129	S	10/2016	Patterson et al.	
D772,075	S	11/2016	Bell	
D777,043	S	1/2017	Temple	
D790,362	S	6/2017	Bell	
D809,401	S	2/2018	Wiesman	
D814,315	S	4/2018	Bell	
D820,686	S	* 6/2018	Francis	..... D9/709
2008/0247684	A1	10/2008	Binks et al.	
2015/0048112	A1	2/2015	Skillin et al.	
2016/0375233	A1	12/2016	Tidwell et al.	

\* cited by examiner

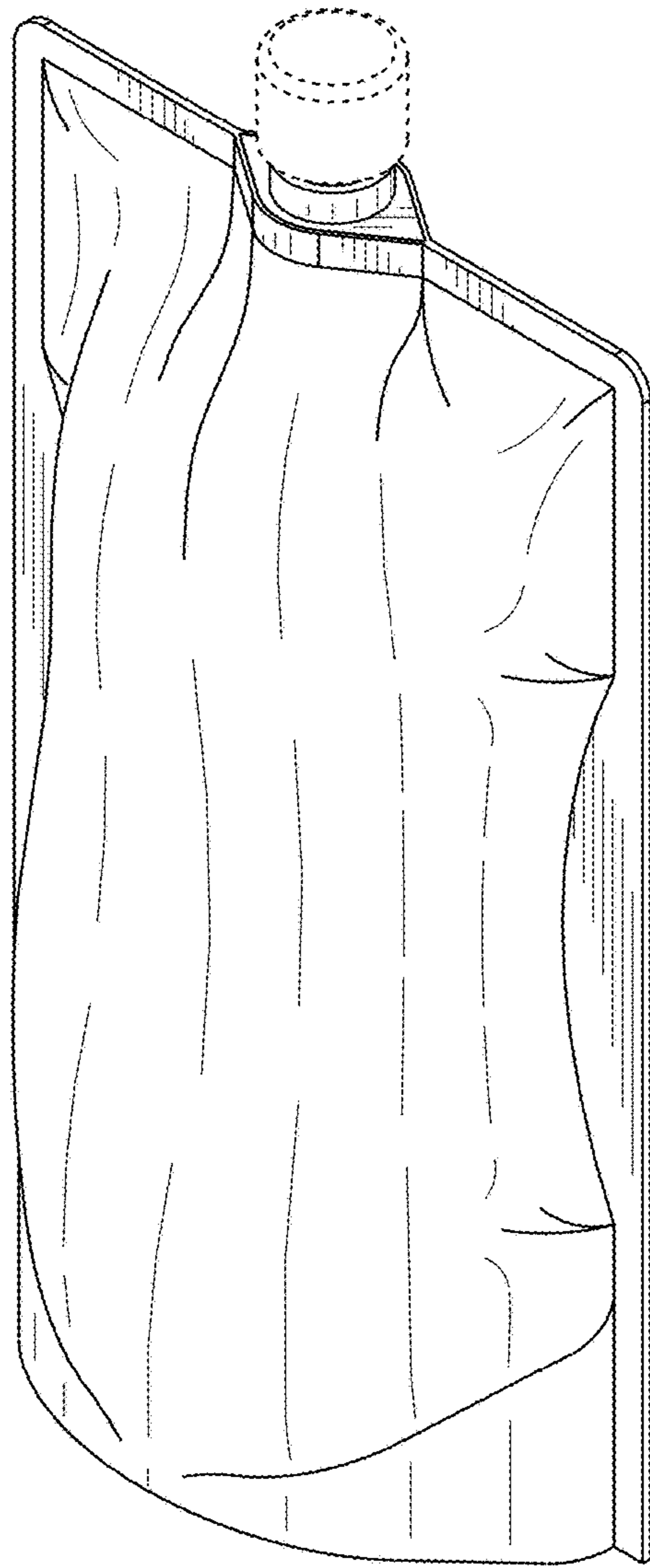


FIG. 1

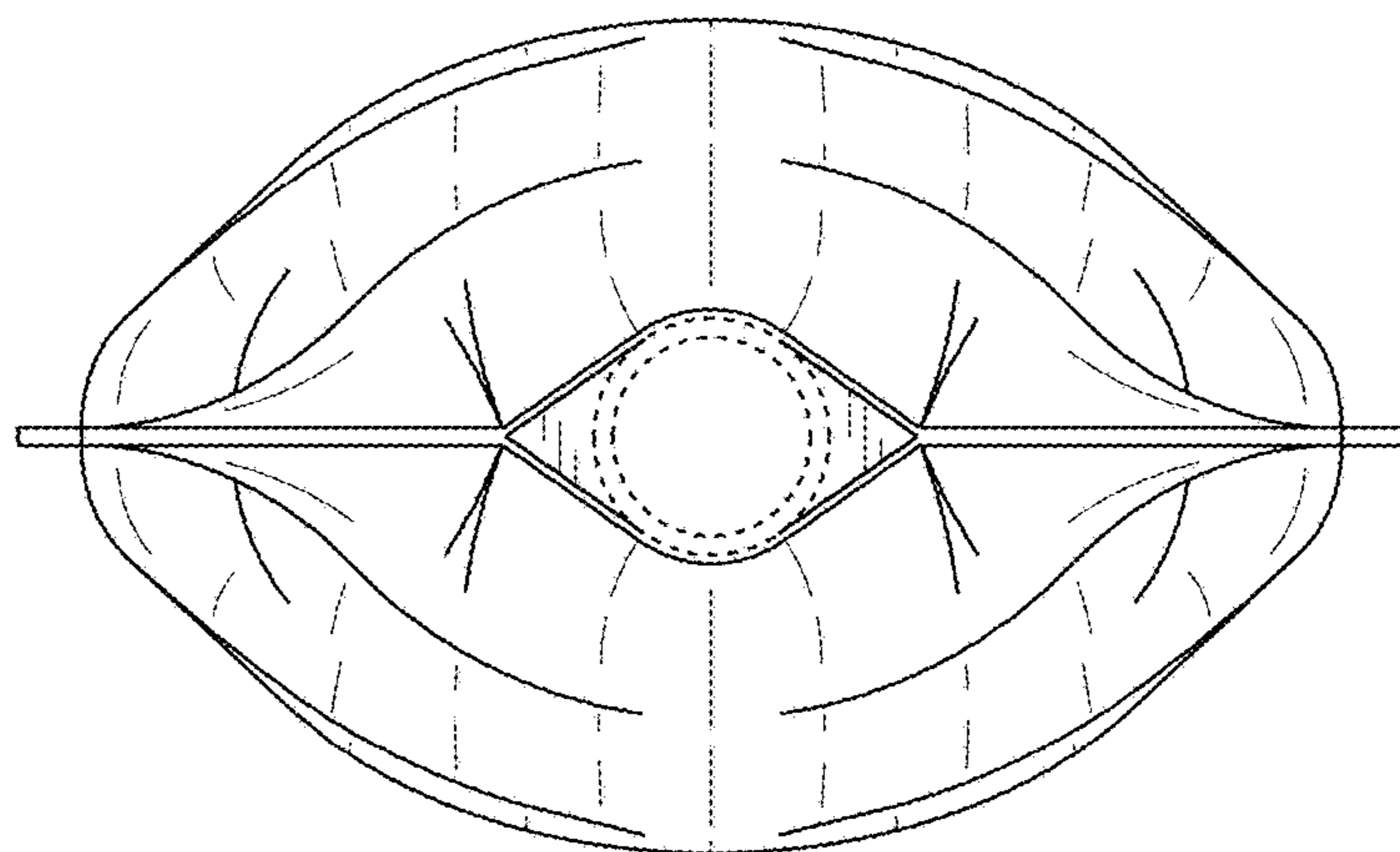


FIG. 2

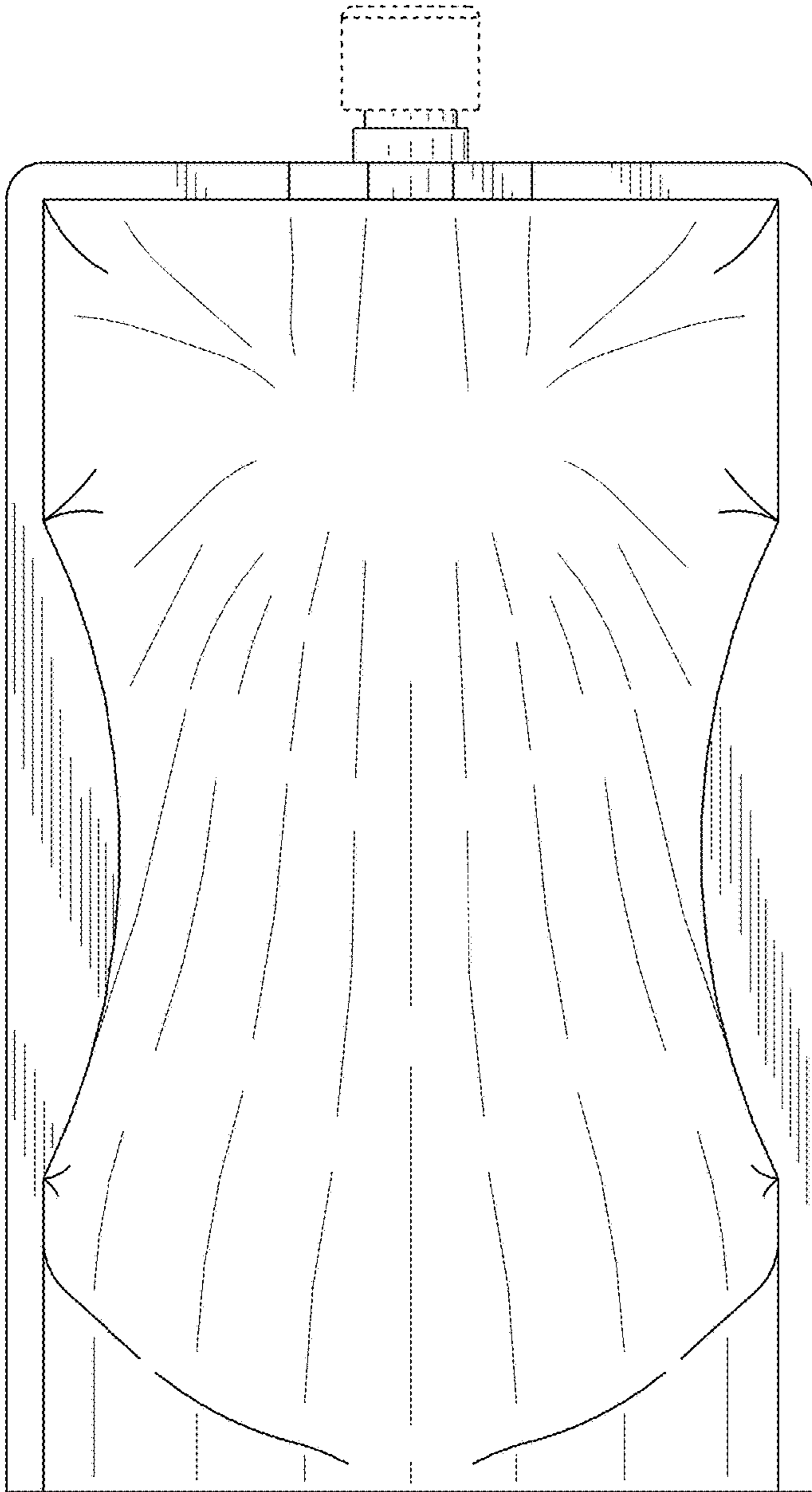


FIG. 3

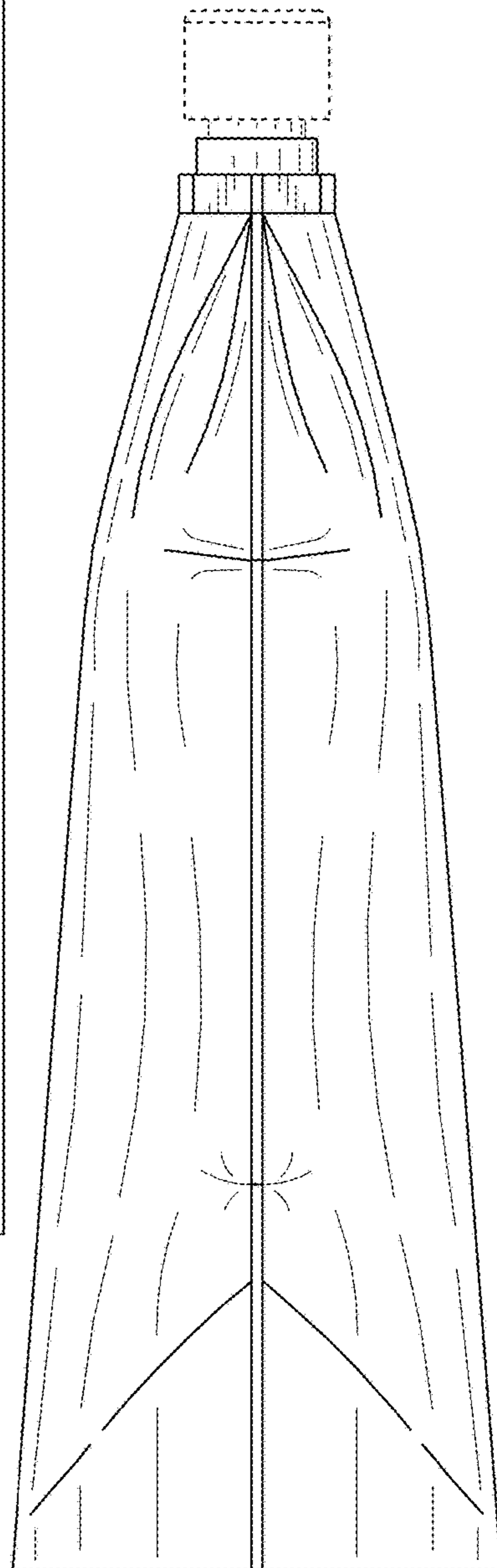


FIG. 4

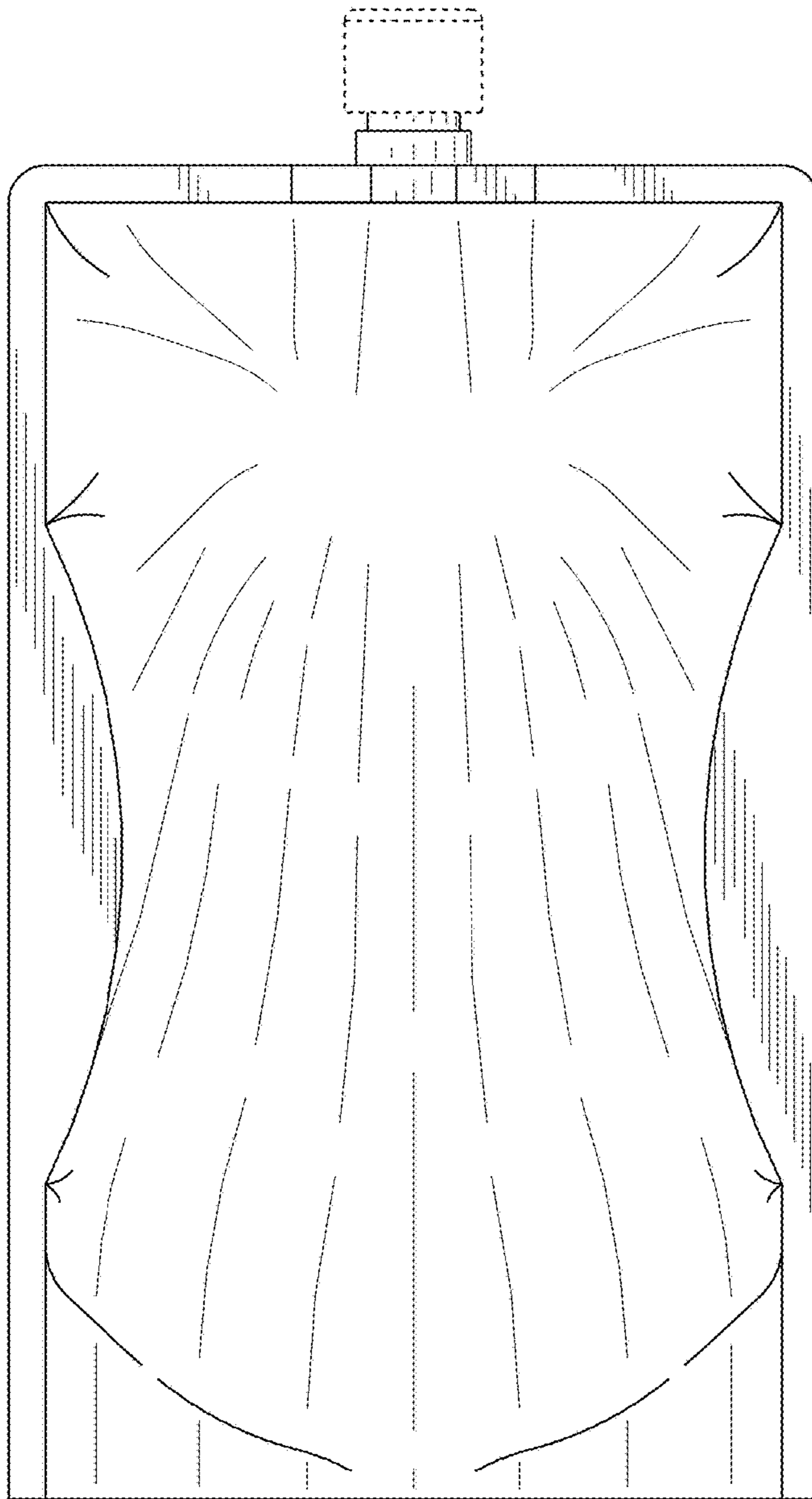


FIG. 5

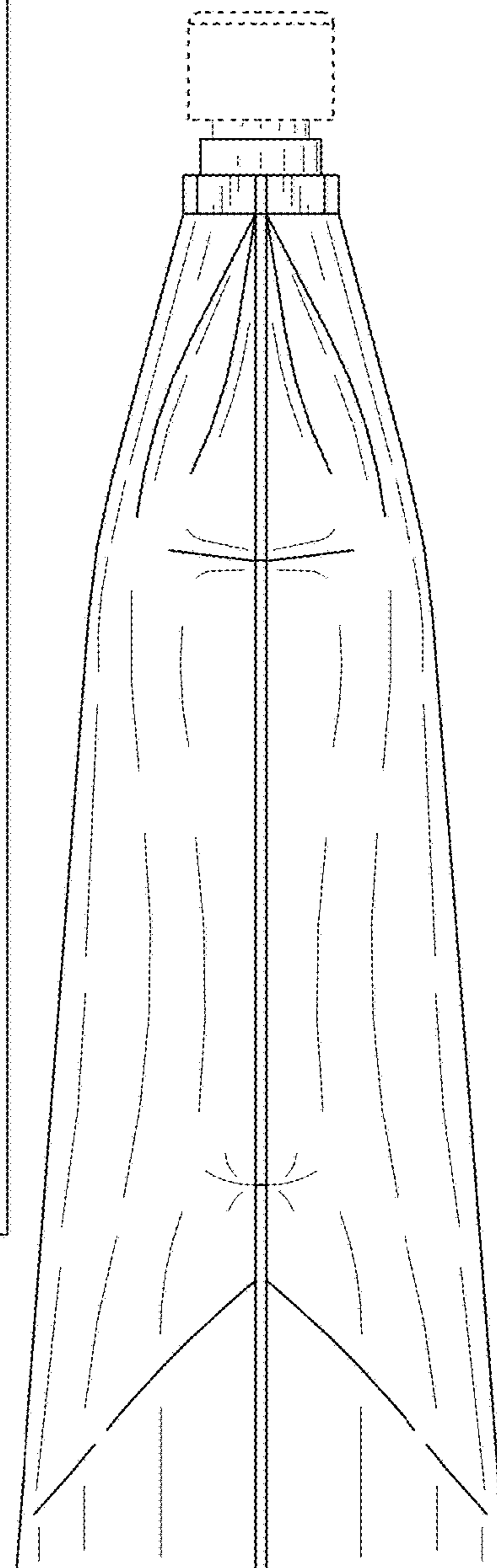


FIG. 6

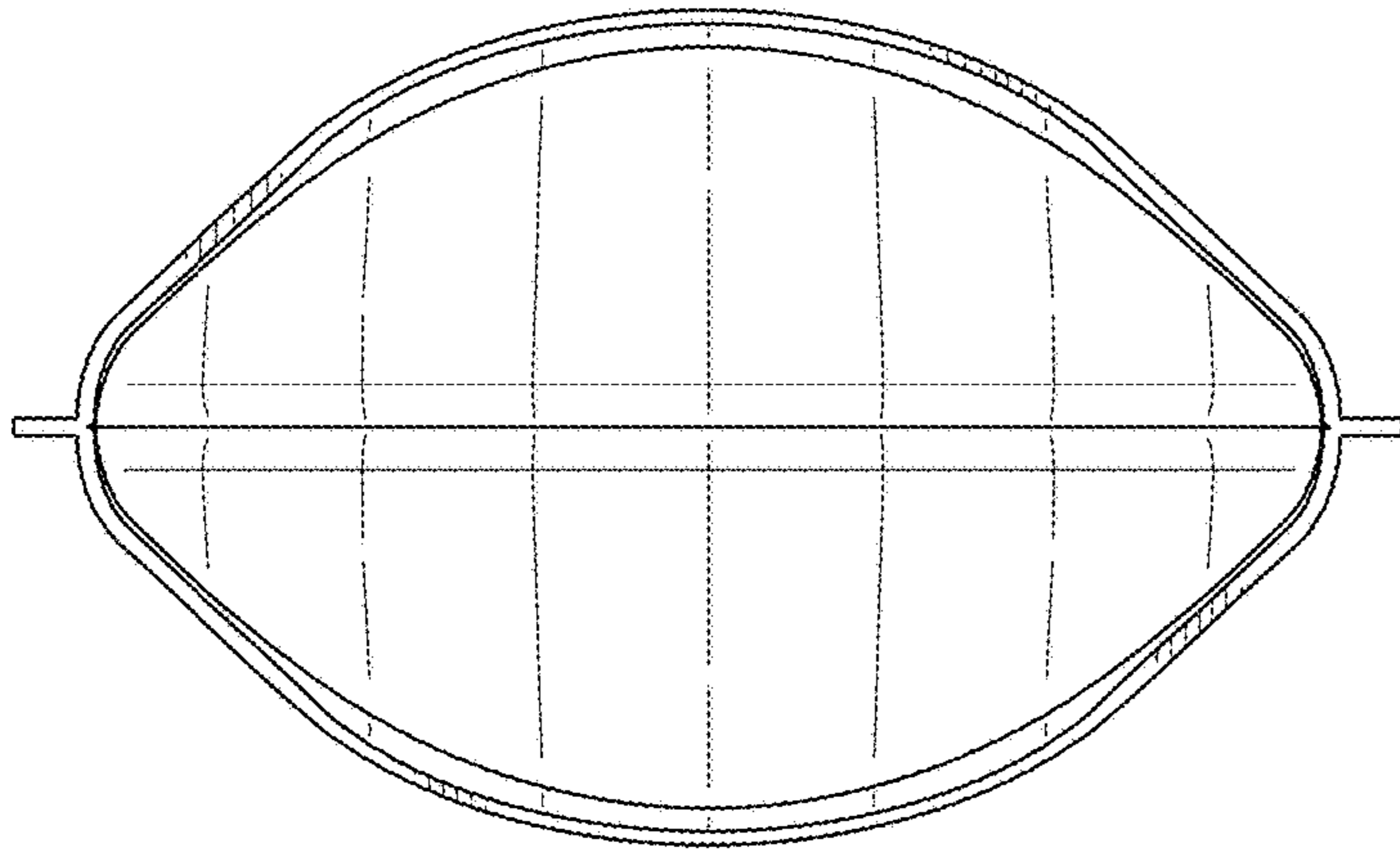


FIG. 7

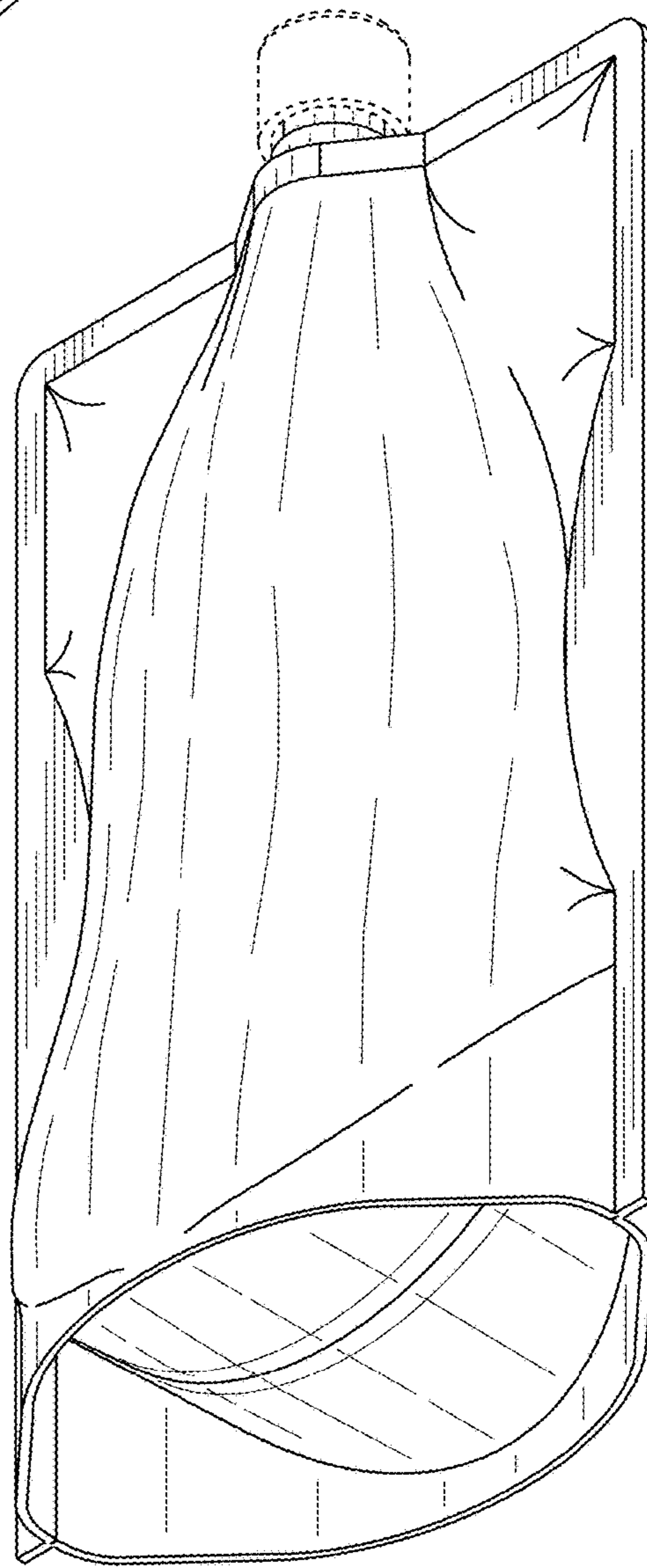


FIG. 8