

US00D852639S

(12) **United States Design Patent** (10) **Patent No.:** **US D852,639 S**  
**Spitzer** (45) **Date of Patent:** **\*\* Jul. 2, 2019**

(54) **BOTTLE** 40/00; A45D 40/0068; A45D 40/0075;  
A45D 2040/0012; A45D  
2200/00–2200/058

(71) Applicant: **LVMH FRAGRANCE BRANDS,**  
Levallois Perret (FR) See application file for complete search history.

(72) Inventor: **Romain Spitzer,** Levallois Perret (FR) (56)

(73) Assignee: **LVMH FRAGRANCE BRANDS,**  
Levallois Perret (FR)

(\*\*) Term: **15 Years**

(21) Appl. No.: **29/635,811**

(22) Filed: **Feb. 2, 2018**

(30) **Foreign Application Priority Data**

Aug. 3, 2017 (EM) ..... 004132603-0001

(51) **LOC (11) Cl.** ..... **09-01**

(52) **U.S. Cl.**  
USPC ..... **D9/694**

(58) **Field of Classification Search**  
USPC ..... D9/682–694, 719, 505, 516, 517,  
D9/519–522, 544–546, 548, 549–575,  
D9/434–436, 439, 445, 448; D28/76, 77,  
D28/91.1

CPC ..... B65D 1/00; B65D 1/0215; B65D 1/0223;  
B65D 1/40; B65D 83/14; B65D 83/38;  
B65D 83/384; B65D 83/386; B65D  
83/40; B65D 83/752; B65D 83/753;  
B65D 2501/0081; B65D 2203/00; B65D  
13/02; B65D 39/0094; B65D 41/62;  
B65D 43/02; B65D 43/0214; B65D  
51/00; B65D 51/02; B65D 51/245; B65D  
2251/06; B65D 2251/065; B05B 11/00;  
B05B 11/0037; B05B 11/0038; B05B  
11/0054; B05B 11/0056; B05B 11/0078;  
B05B 11/0097; B05B 11/3001; B05B  
11/3043; B05B 11/3045; B05B 11/3046;  
B05B 11/3047; A45D 34/00; A45D  
34/02; A45D 34/04; A45D 2034/002;  
A45D 2034/005; A45D 2034/007; A45D

**References Cited**

U.S. PATENT DOCUMENTS

D30,759 S \* 5/1899 Zeber ..... D9/635  
3,900,121 A \* 8/1975 Kruck ..... B65D 83/384  
215/12.1  
4,892,206 A \* 1/1990 Perrin ..... A45D 34/00  
215/12.1  
D317,403 S \* 6/1991 Farsch ..... D9/635  
D365,020 S \* 12/1995 Dinand ..... D9/503  
D424,942 S \* 5/2000 Ohchi ..... D9/503

(Continued)

FOREIGN PATENT DOCUMENTS

FR 2524862 A1 \* 10/1983 ..... A45D 34/02

*Primary Examiner* — Catherine A Tuttle

(74) *Attorney, Agent, or Firm* — Stephen J. Weyer, Esq.;  
Stites & Harbison, PLLC

(57) **CLAIM**

The ornamental design for a bottle, as shown and described.

**DESCRIPTION**

FIG. 1 is a top, front and right side perspective view of the bottle showing my new design.

FIG. 2 is a front elevation view thereof.

FIG. 3 is a rear elevation view thereof.

FIG. 4 is a left view thereof.

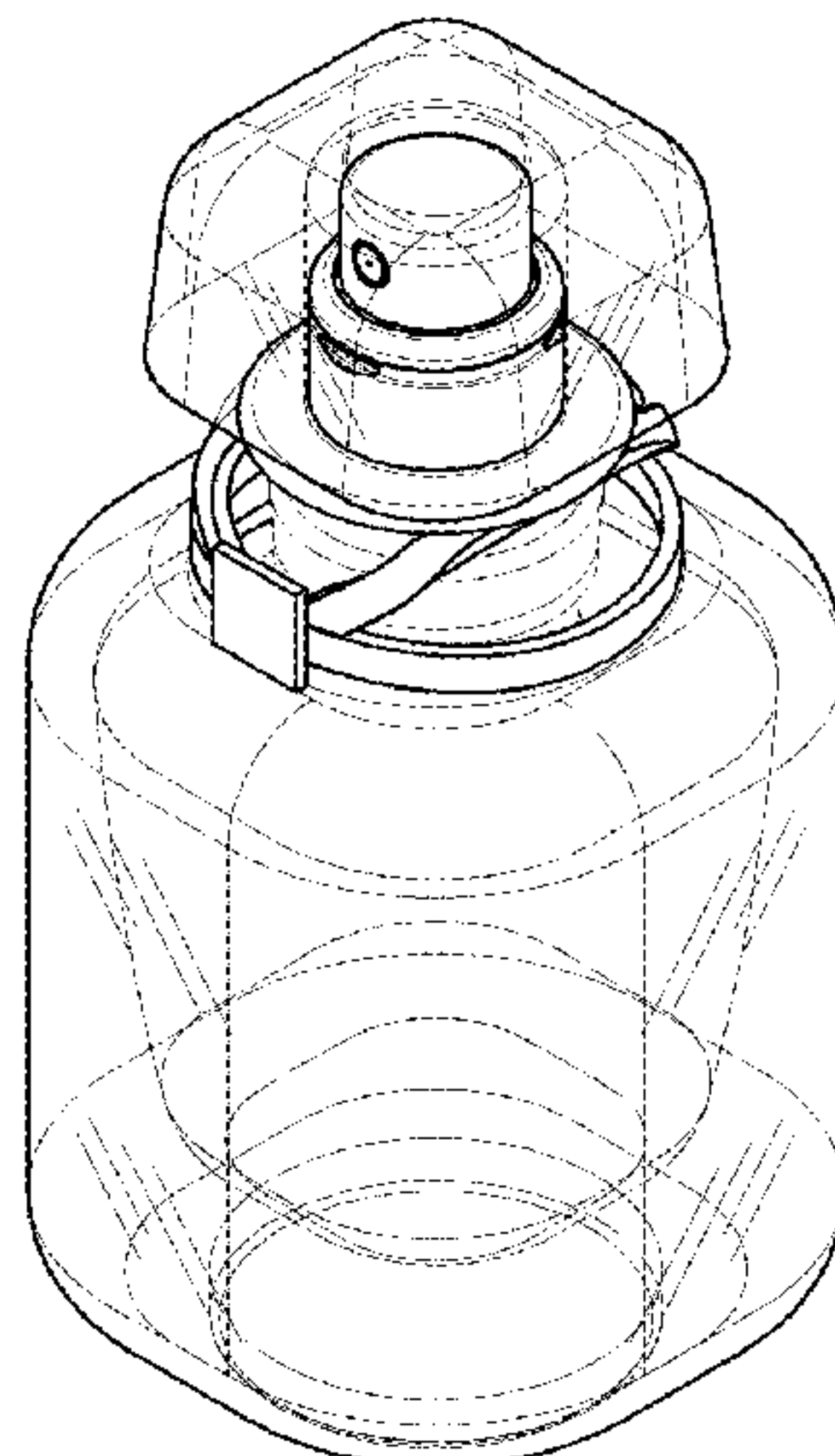
FIG. 5 is a right view thereof.

FIG. 6 is a top plan view thereof; and,

FIG. 7 is a bottom plan view thereof.

The dashed lines shown in FIG. 7 are included for the purpose of illustrating interior features of the bottle that form no part of the claimed design.

**1 Claim, 7 Drawing Sheets**



(56)

References Cited

U.S. PATENT DOCUMENTS

D440,152 S \* 4/2001 Legros ..... D9/632  
D500,250 S \* 12/2004 Bonelli ..... D9/571  
7,284,683 B2 \* 10/2007 Benivay ..... B05B 11/0027  
222/320  
D579,782 S \* 11/2008 Reinoso ..... D9/544  
D580,778 S \* 11/2008 Konckier ..... D9/694  
D584,639 S \* 1/2009 Antretter ..... D9/687  
D589,362 S \* 3/2009 Takounseun ..... D9/691  
D697,418 S \* 1/2014 Maier ..... D7/598  
D714,157 S \* 9/2014 Albertini ..... D9/560  
D715,653 S \* 10/2014 Lavigne ..... D9/529  
D717,176 S \* 11/2014 Gomez ..... D9/544  
D766,093 S \* 9/2016 Otani ..... D9/452  
D784,152 S \* 4/2017 Krunas ..... D9/559  
D786,688 S \* 5/2017 Takei ..... D9/560  
D786,690 S \* 5/2017 Dalton ..... D9/574  
D796,964 S \* 9/2017 Staab ..... D9/520  
D804,954 S \* 12/2017 Staab ..... D9/560  
D814,307 S \* 4/2018 de Baschmakoff ..... D9/559  
D830,188 S \* 10/2018 Manlik ..... D9/560

\* cited by examiner

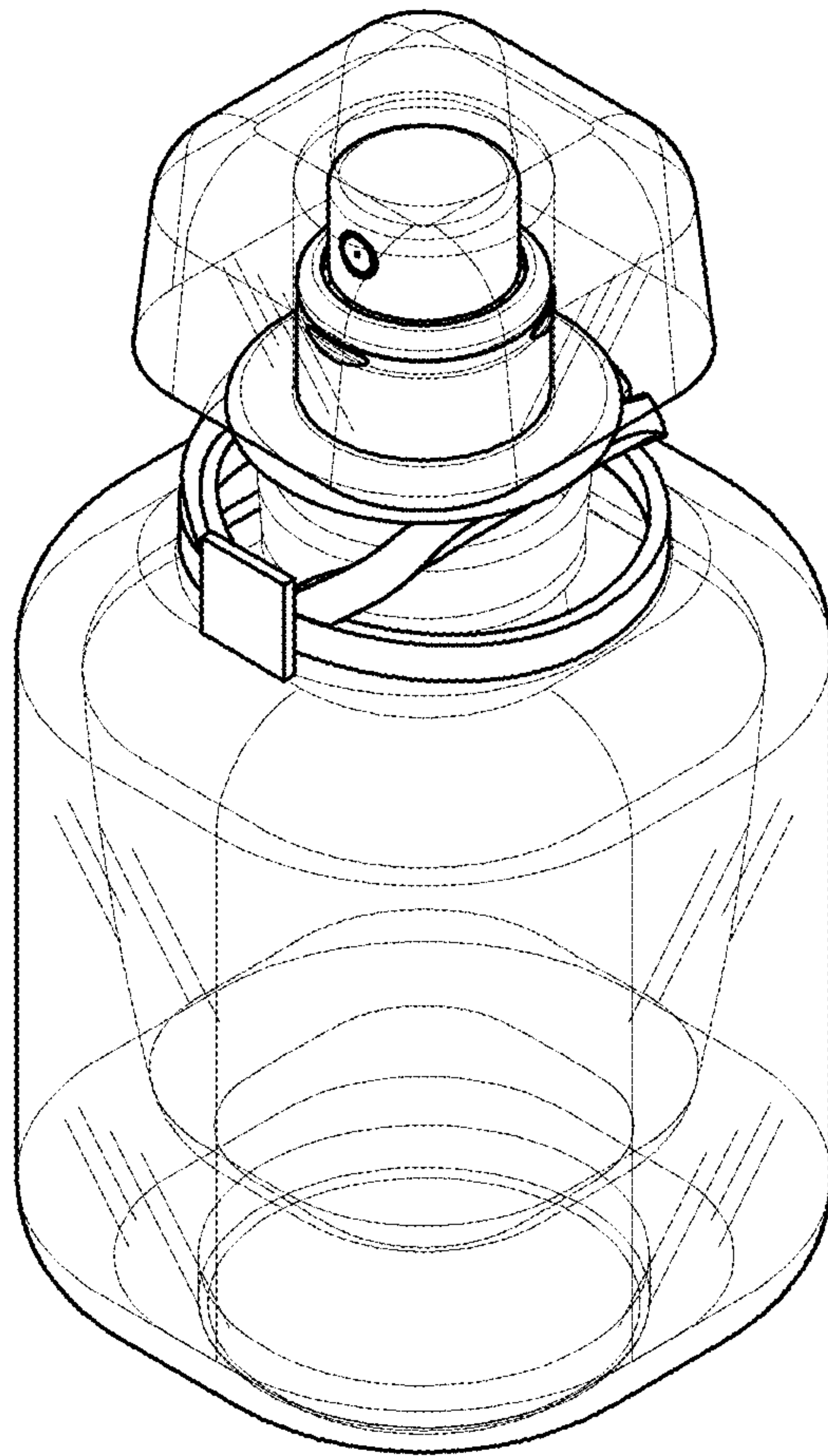


FIG. 1

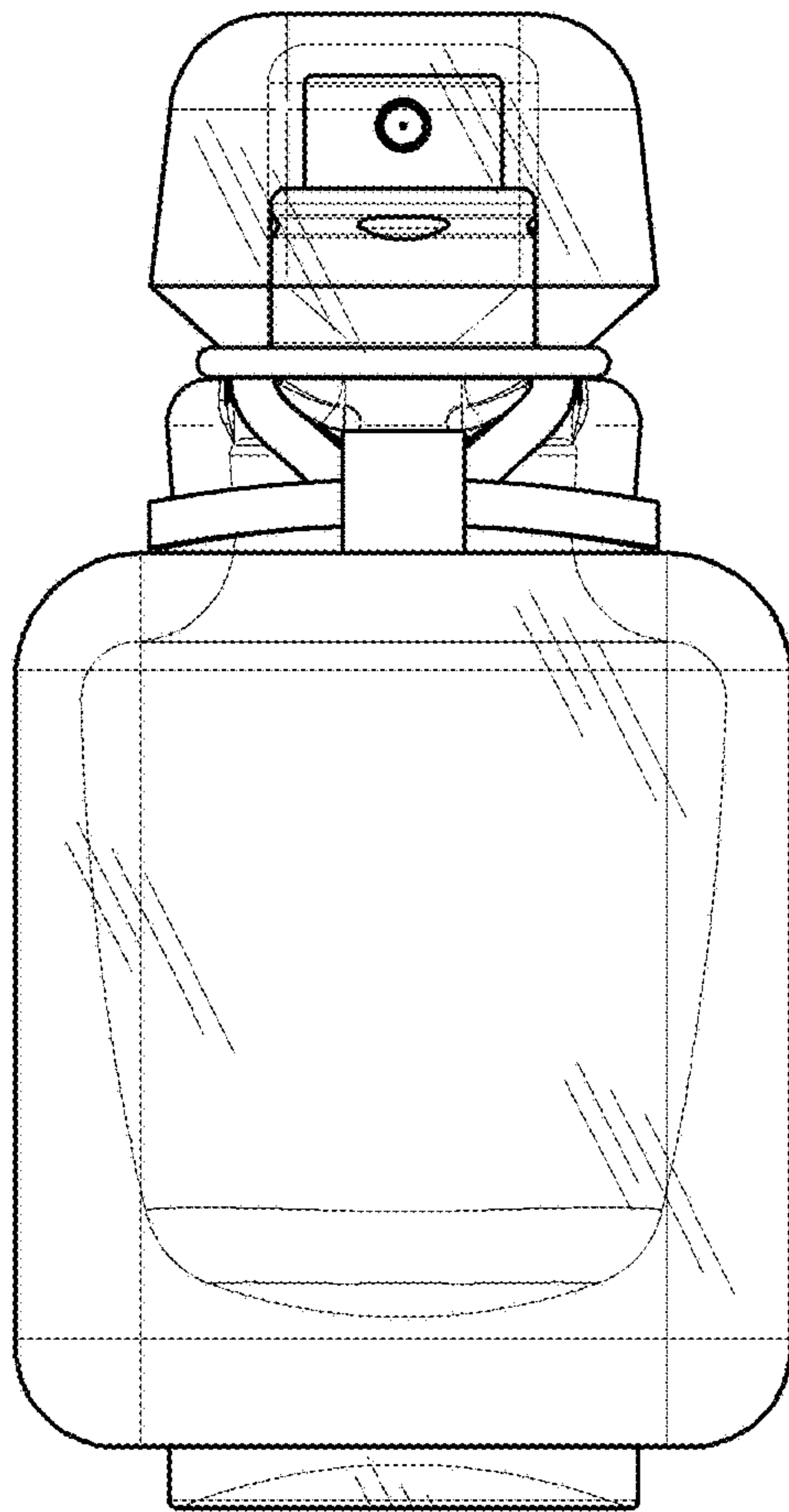


FIG. 2

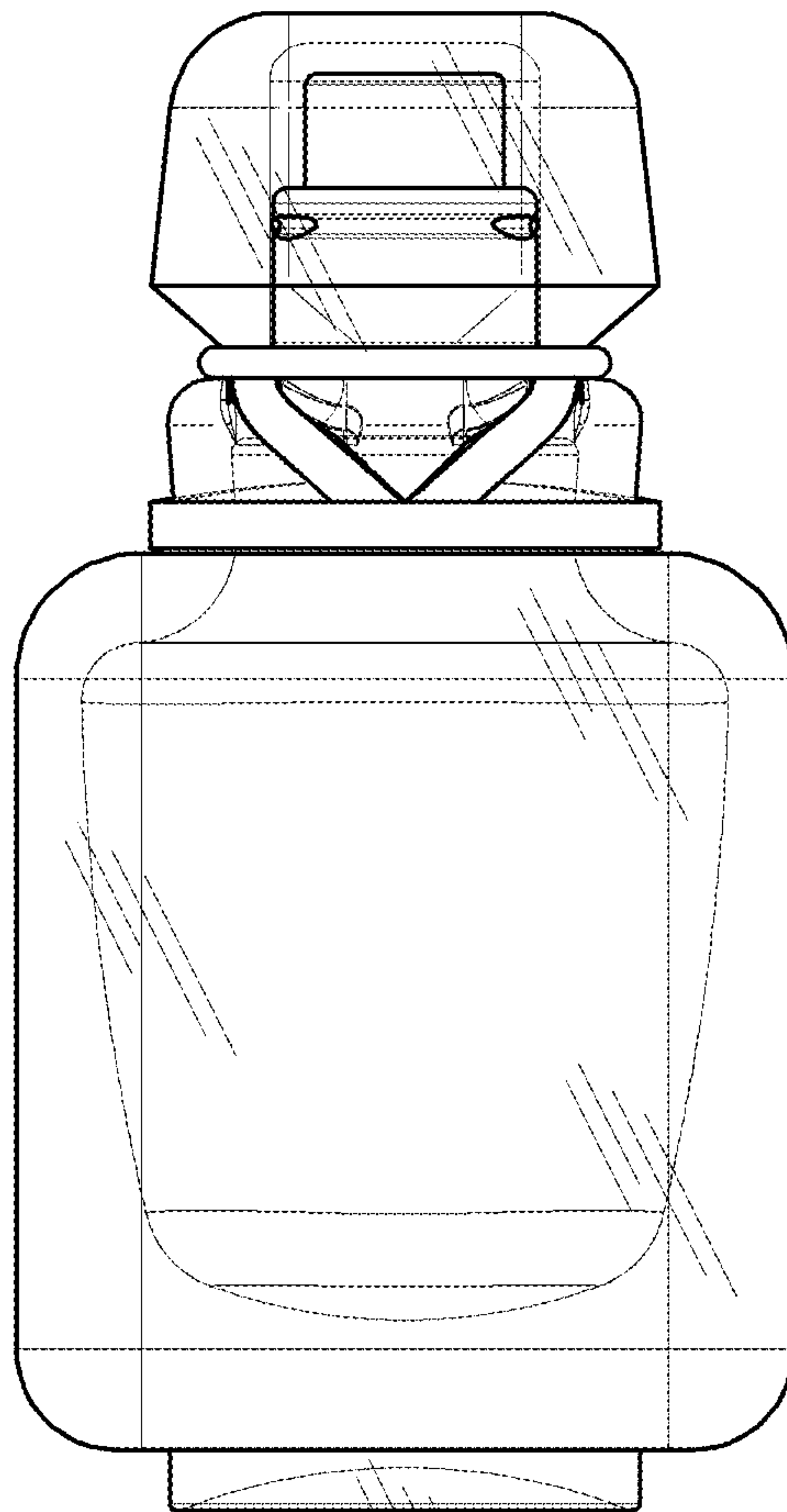


FIG. 3

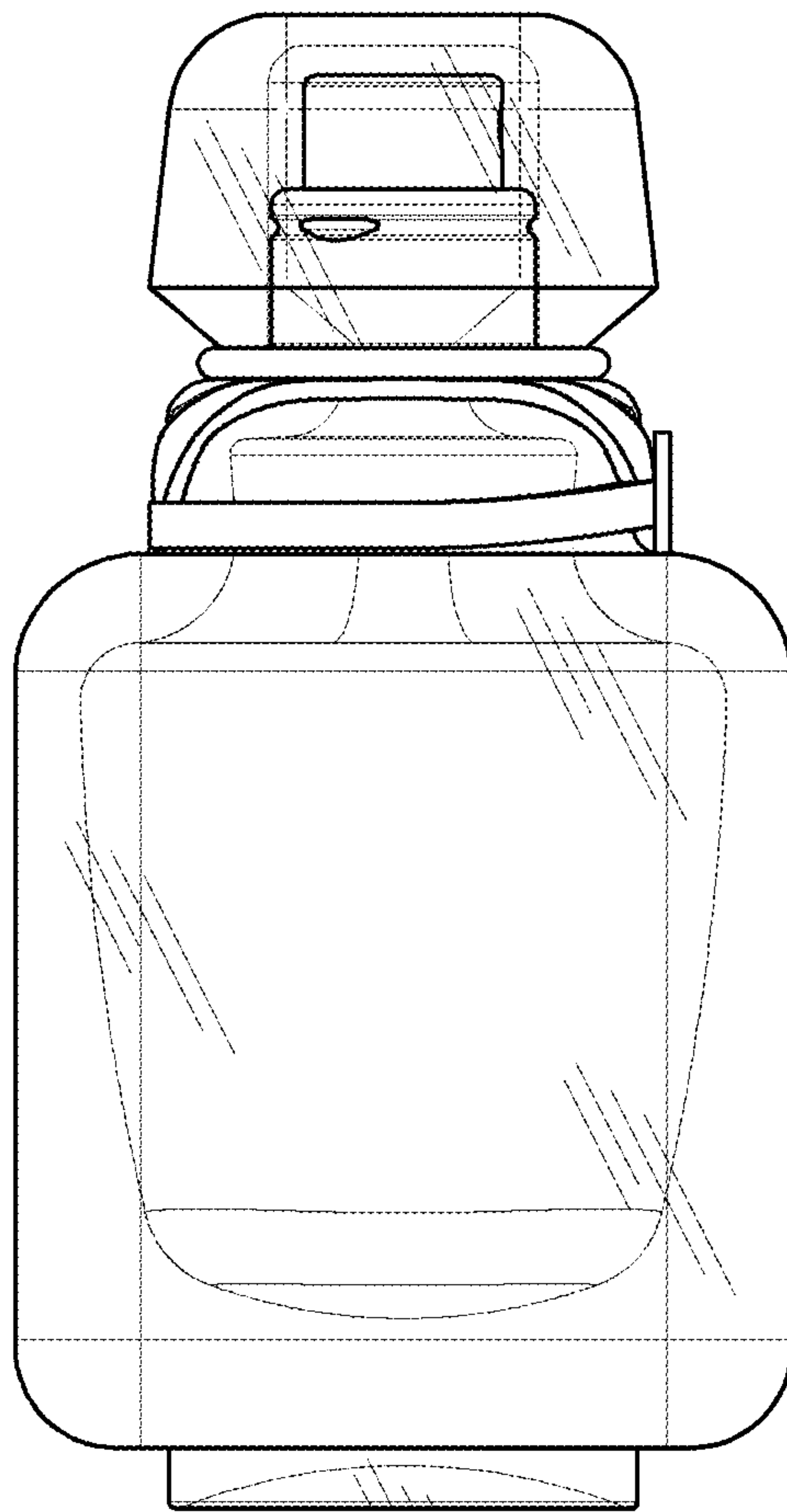
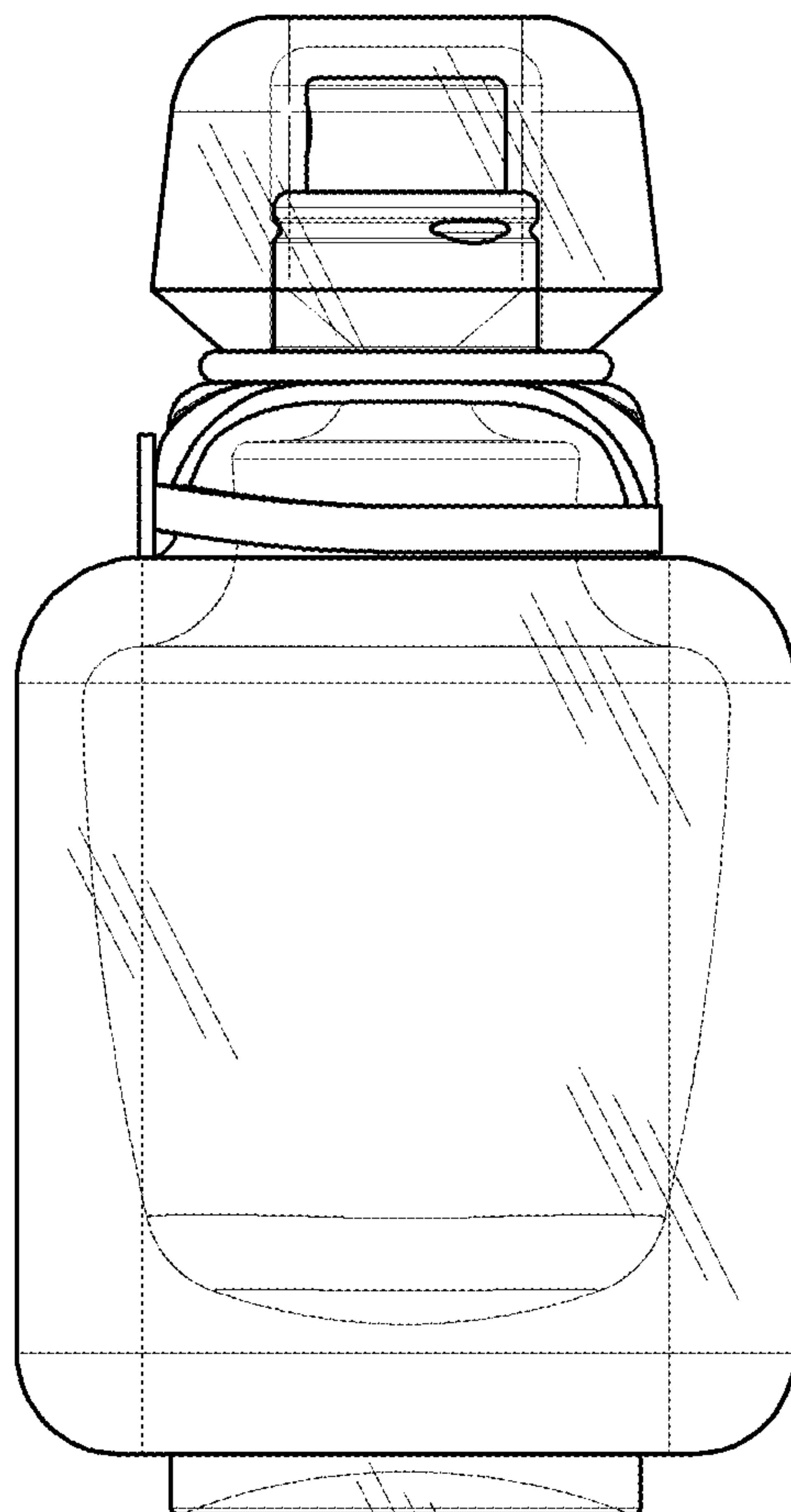


FIG. 4





*FIG. 5*

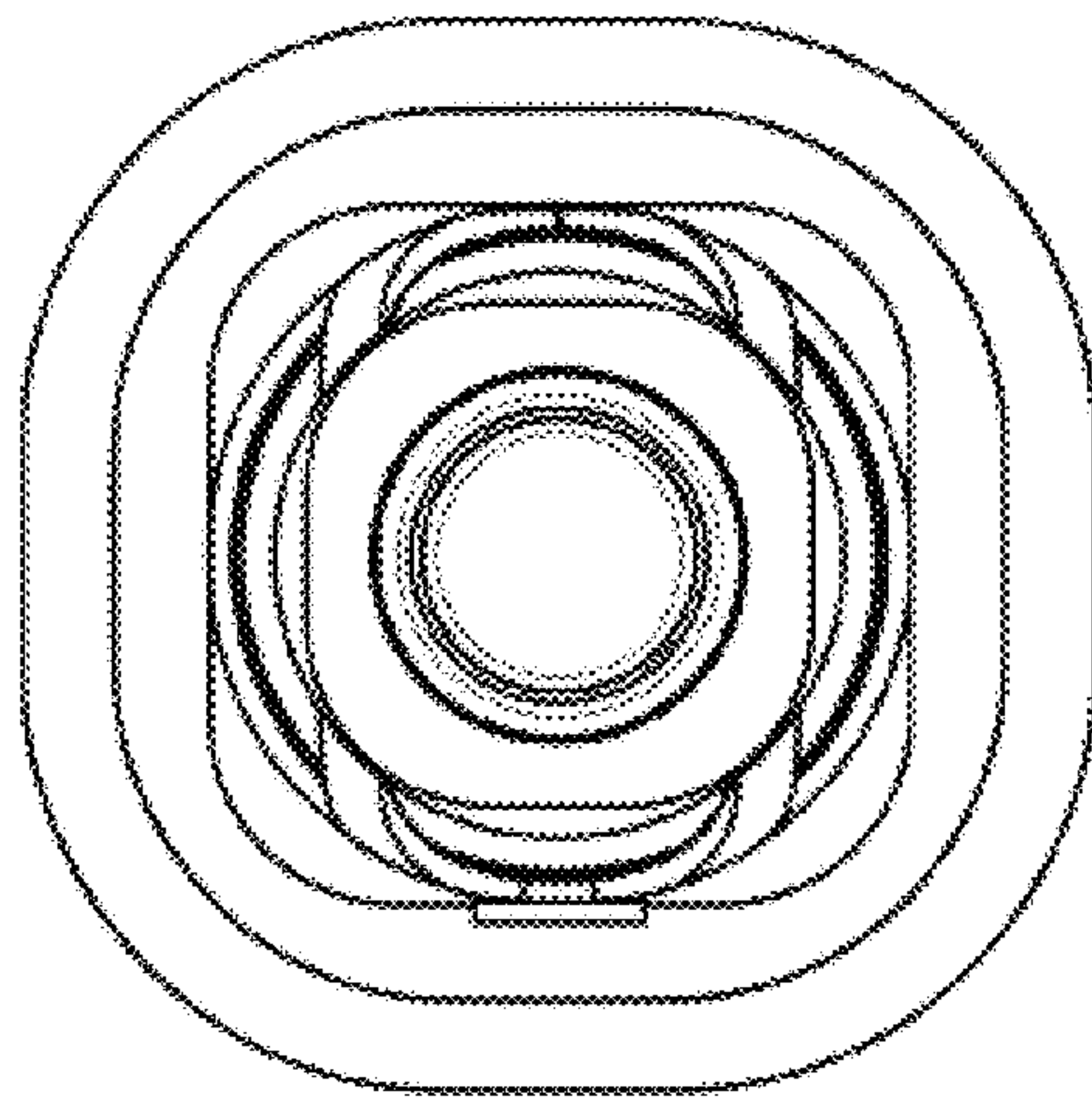


FIG. 6



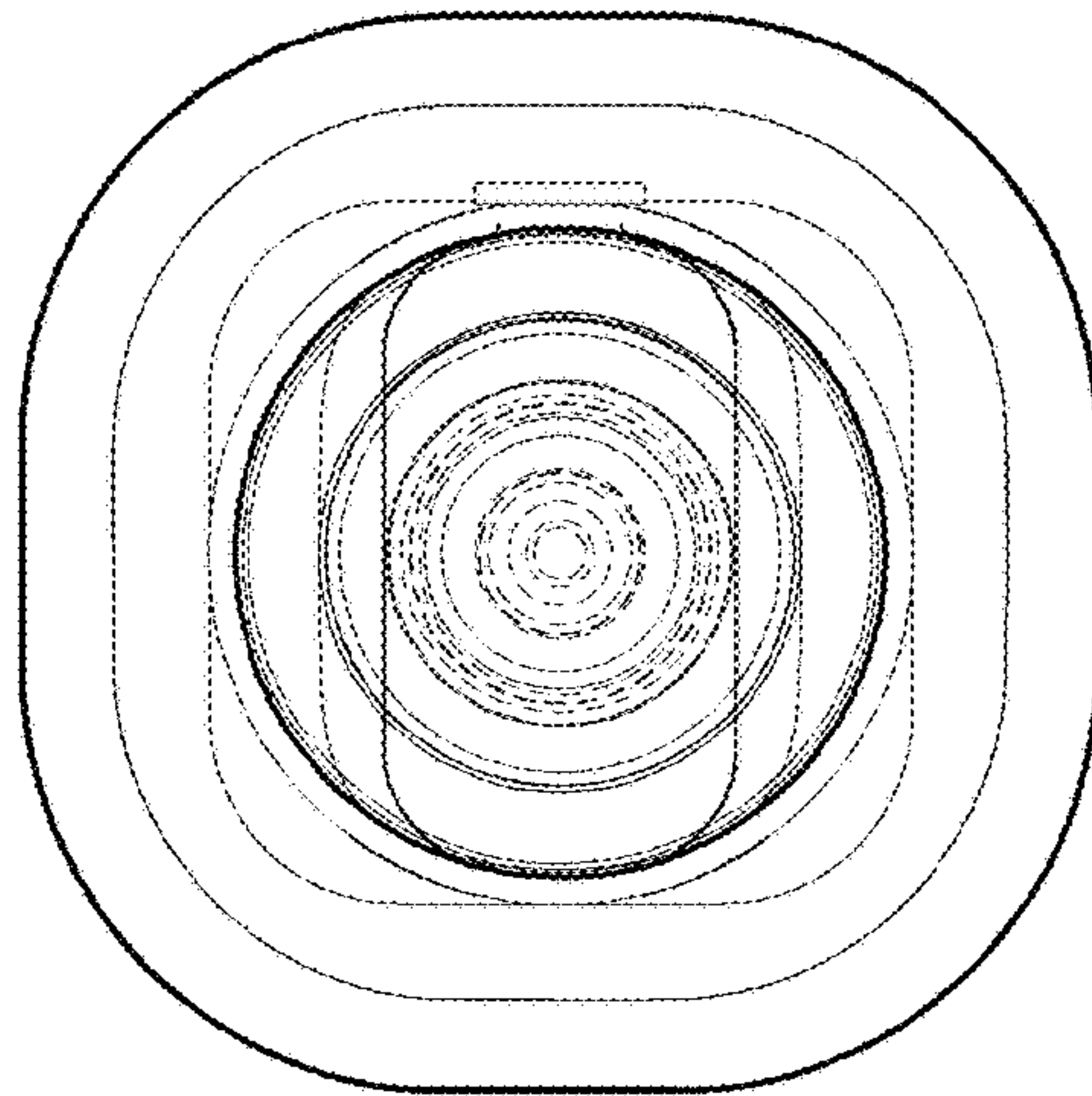


FIG. 7