



US00D852637S

(12) **United States Design Patent** (10) **Patent No.:** **US D852,637 S**  
**Becerra** (45) **Date of Patent:** **\*\* Jul. 2, 2019**

(54) **SNACK CONTAINER**  
(71) Applicant: **Enrique Becerra**, Long Beach, CA (US)  
(72) Inventor: **Enrique Becerra**, Long Beach, CA (US)  
(\*\*) Term: **15 Years**  
(21) Appl. No.: **29/644,260**  
(22) Filed: **May 11, 2018**  
(51) **LOC (11) Cl.** ..... **09-01**  
(52) **U.S. Cl.**  
USPC ..... **D9/668**; D9/504; D9/451; D21/680  
(58) **Field of Classification Search**  
USPC ..... D3/202, 270, 271.1-271.4; D7/301-303, D7/509-511, 514-521, 529, 594, 599, D7/604, 613, 619.2, 623, 628; D9/600, D9/668, 500-516, 772, 414, 424, 434, D9/451; 206/457, 459.5, 527; 215/381-384, 400; D21/680-681  
CPC ..... B65D 5/42; B65D 5/4258; B65D 81/60; B65D 81/365; B65D 81/366; B65D 81/368; B65D 2203/00; B65D 2203/02; B65D 5/4208; B65D 77/00; B65D 67/00; A63H 33/16  
See application file for complete search history.

D513,386 S \* 1/2006 Pace ..... D9/504  
D523,752 S \* 6/2006 Bried ..... D9/504  
D531,036 S \* 10/2006 Bried ..... D9/504  
D581,809 S \* 12/2008 Wichowski ..... D9/504  
D606,133 S \* 12/2009 Lien ..... D21/681  
D609,526 S \* 2/2010 Tuttle ..... D9/668  
D650,289 S \* 12/2011 Bosiljevac ..... D21/681  
D695,128 S \* 12/2013 Ozsinmaz ..... D21/681  
D740,029 S \* 10/2015 Otto ..... D9/504

\* cited by examiner

*Primary Examiner* — Sandra L Morris  
(74) *Attorney, Agent, or Firm* — Dunlap Bennett & Ludwig PLLC; Brendan E. Squire

(57) **CLAIM**

The ornamental design for a snack container, as shown and described.

**DESCRIPTION**

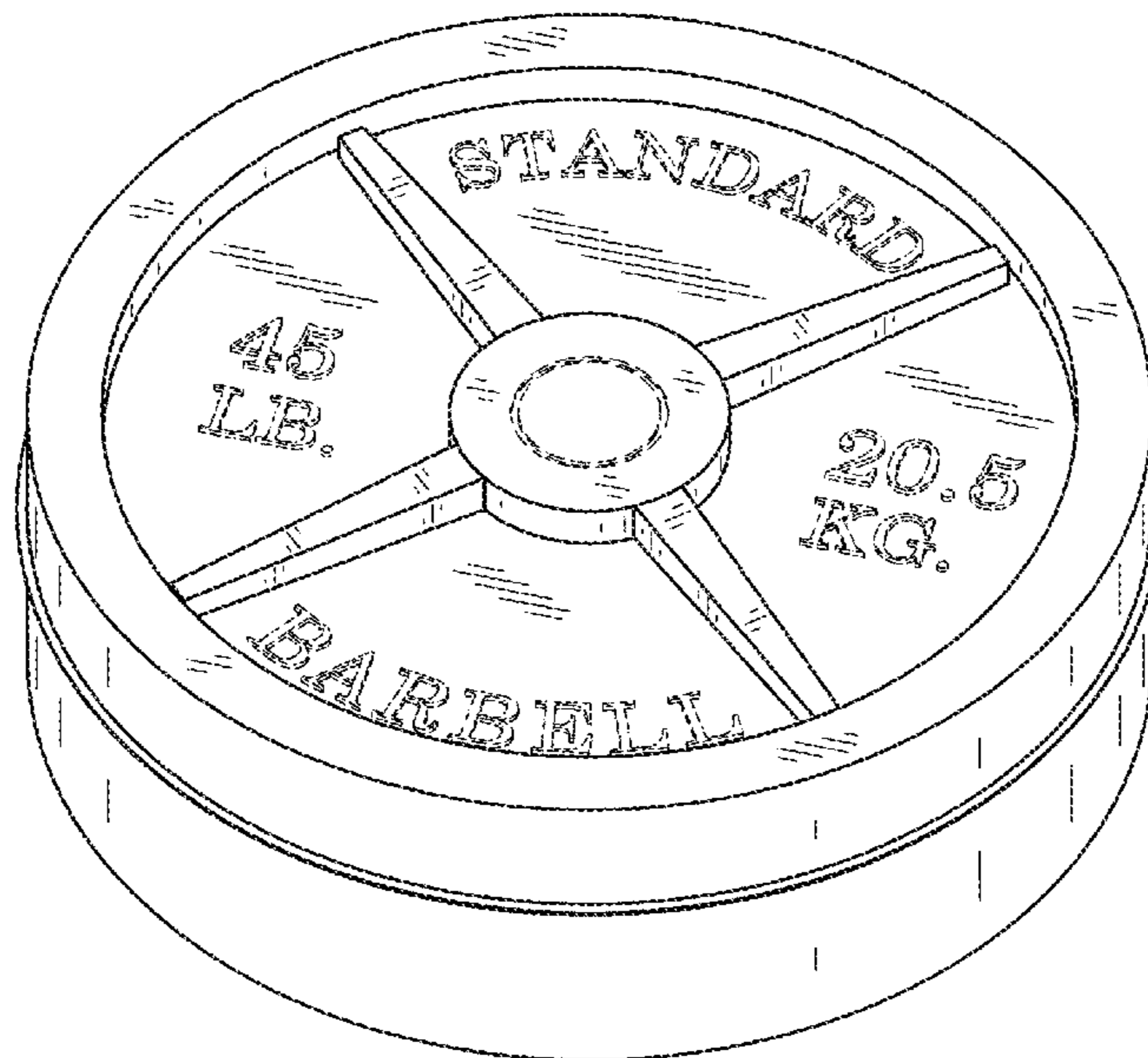
FIG. 1 is a front perspective view a snack container showing my new design;  
FIG. 2 is a front elevation view thereof, the rear elevation view, left side elevation view, and right side elevation view being identical images thereof;  
FIG. 3 is a top plan view thereof;  
FIG. 4 is a bottom plan view thereof;  
FIG. 5 is an exploded perspective view thereof;  
FIG. 6 is a cross-sectional view taken on line 6-6 of FIG. 3; and,  
FIG. 7 is a perspective view thereof shown with additional units of the invention shown in dashed lines.  
The broken lines shown in the drawings illustrate portions of the snack container that form no part of the claimed design. The broken lines in FIG. 7 showing the snack container in use illustrates environment and forms no part of the claim.

(56) **References Cited**

U.S. PATENT DOCUMENTS

D433,721 S \* 11/2000 Rojas ..... D21/680  
D439,290 S \* 3/2001 Rojas ..... D21/680  
D464,094 S \* 10/2002 Fond ..... D21/680  
D512,636 S \* 12/2005 Pace ..... D9/504

**1 Claim, 6 Drawing Sheets**



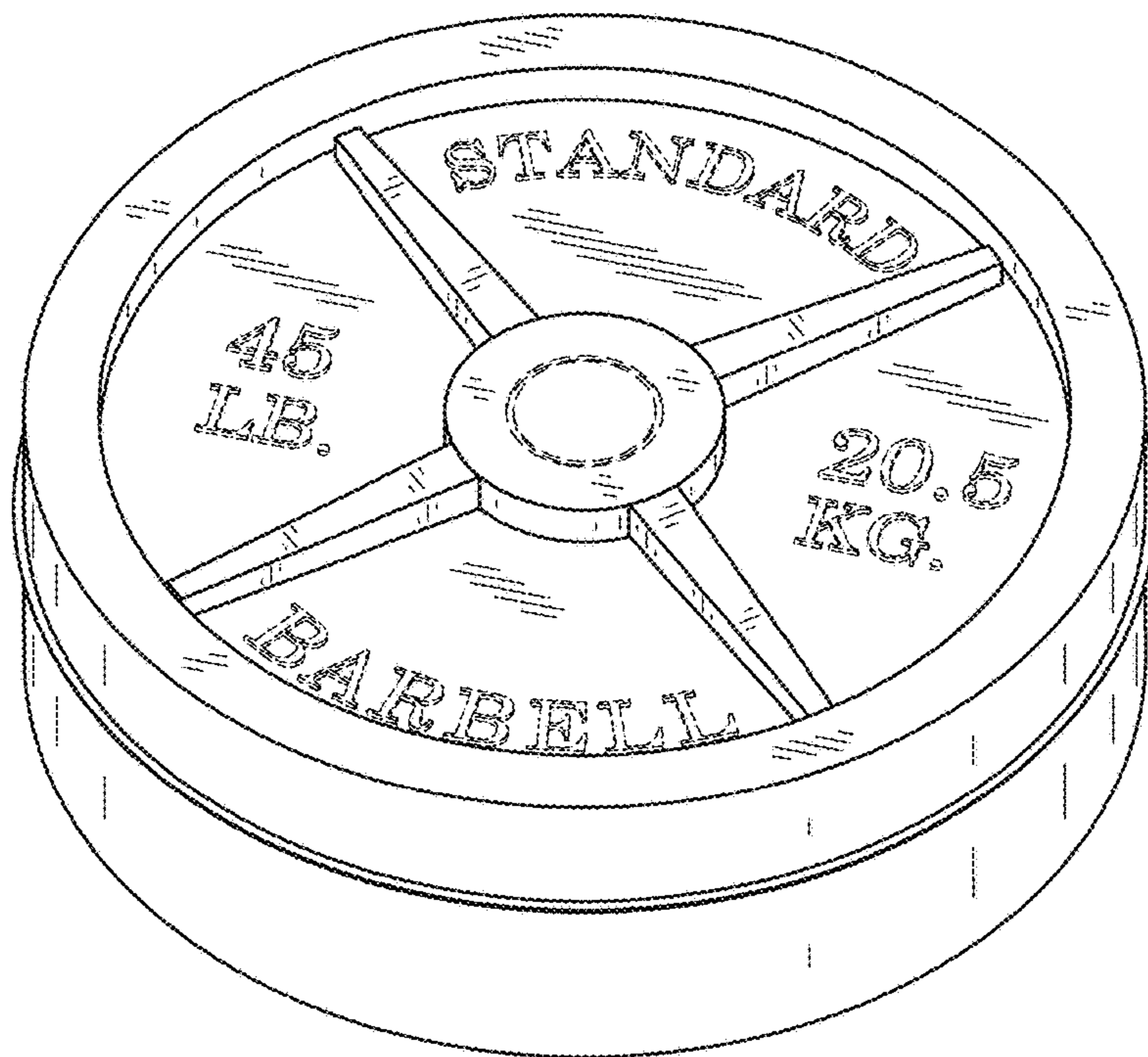


FIG. 1

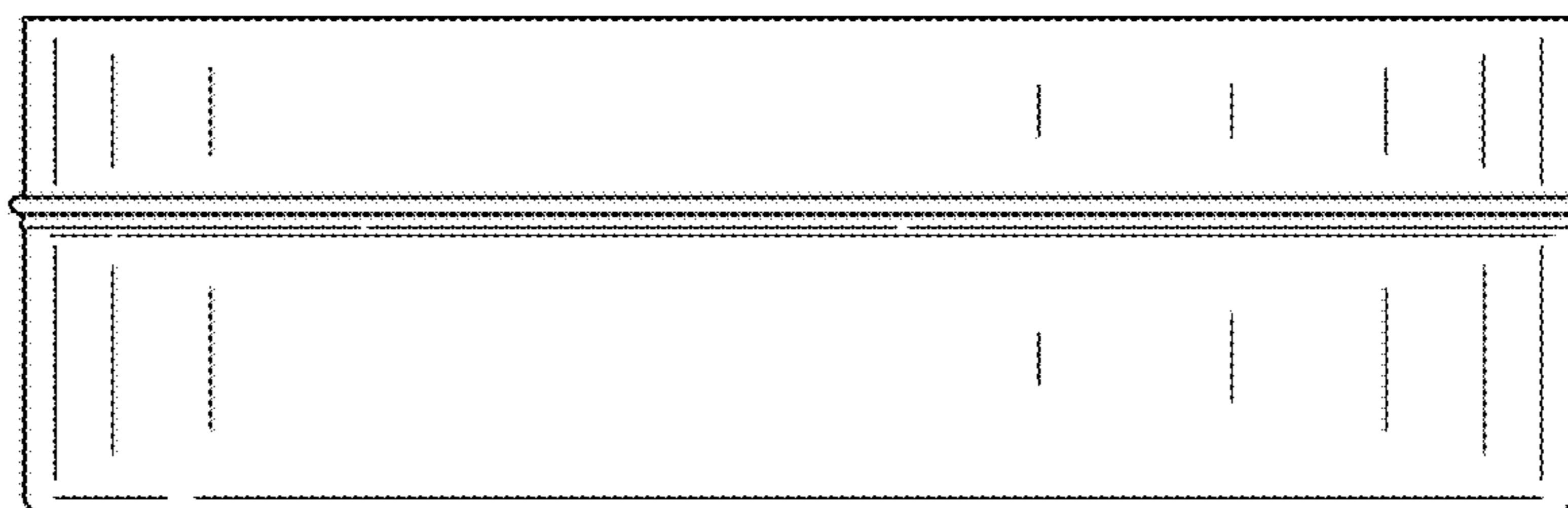


FIG. 2

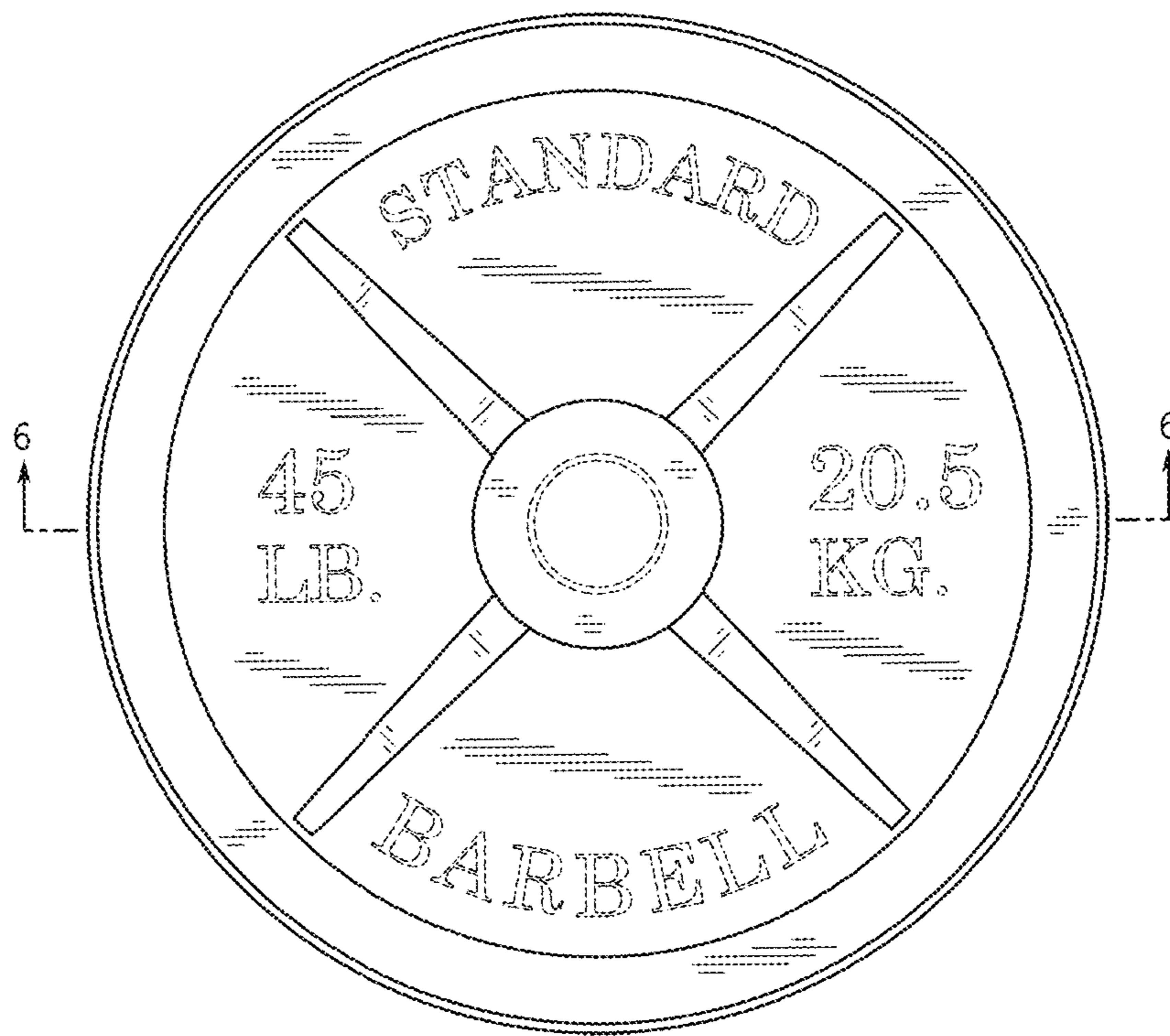


FIG. 3

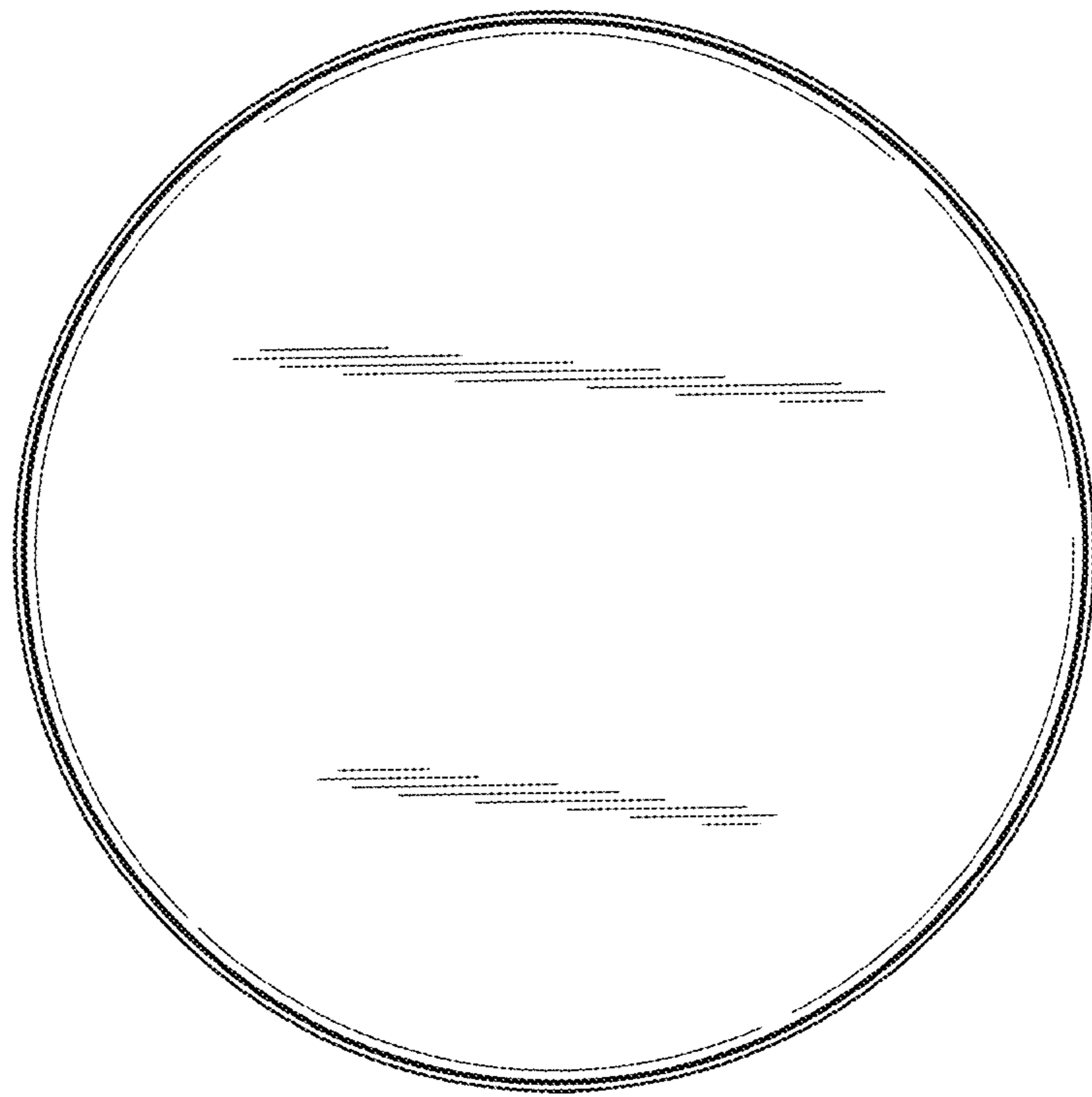


FIG. 4

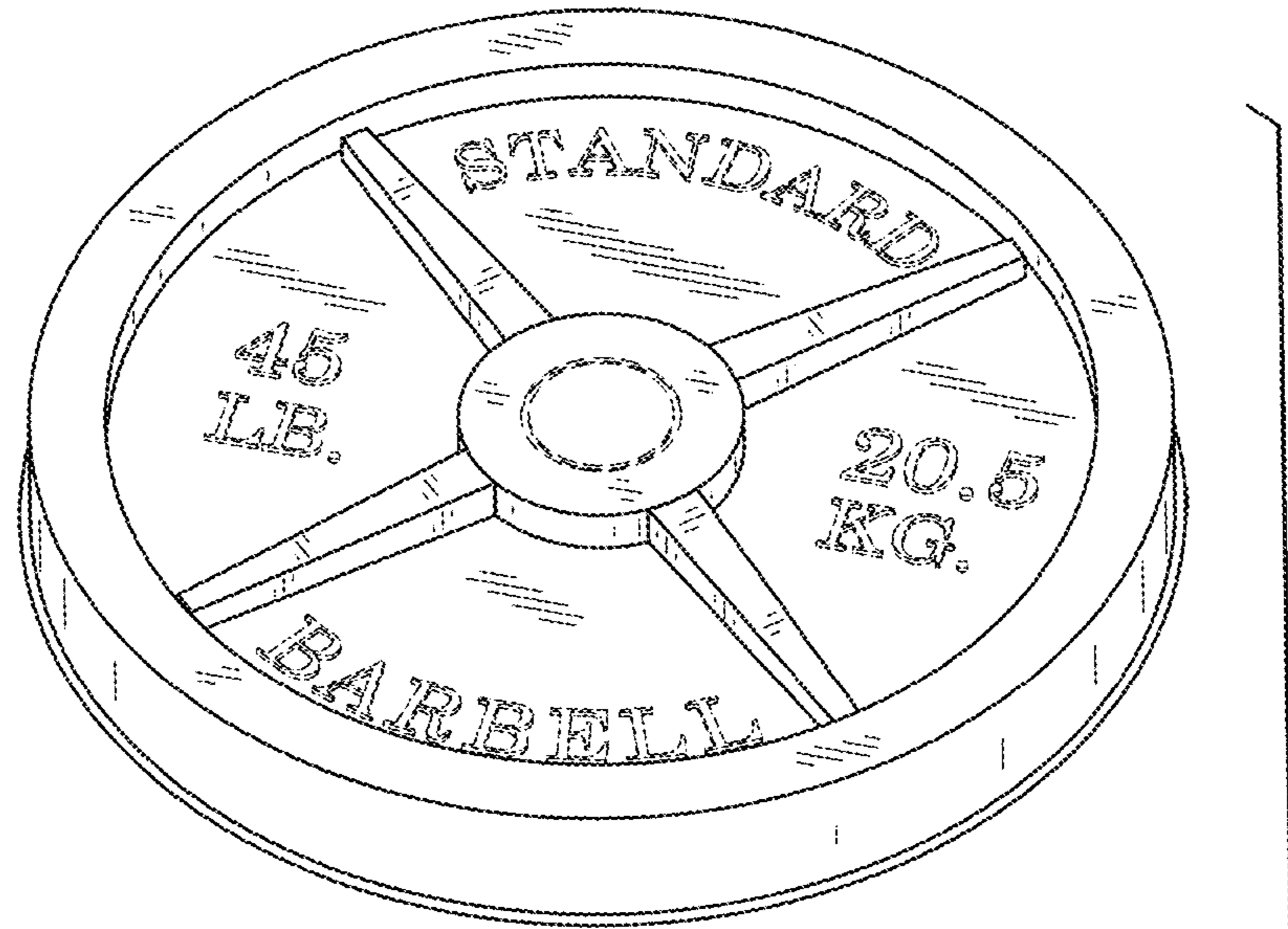
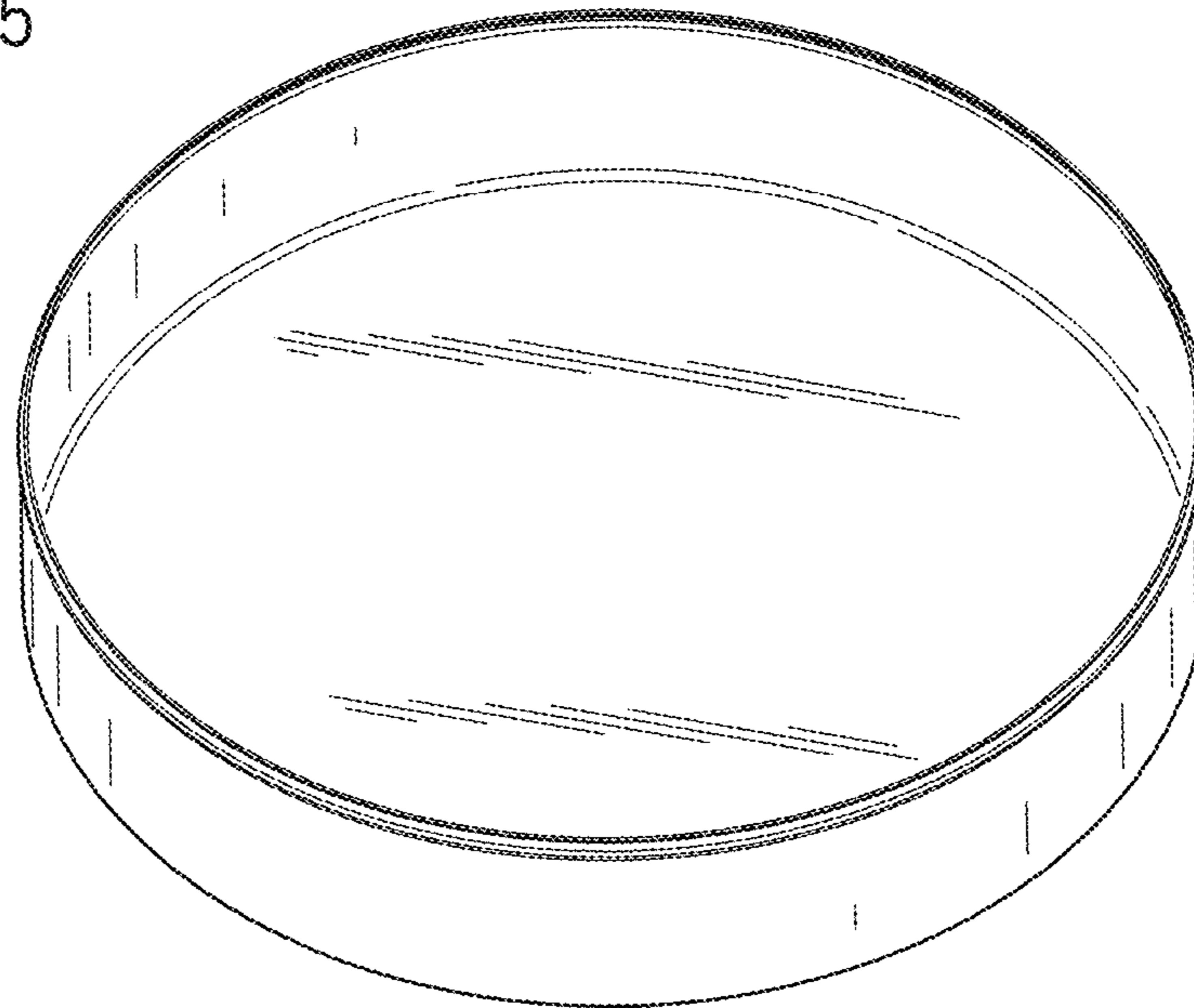


FIG. 5



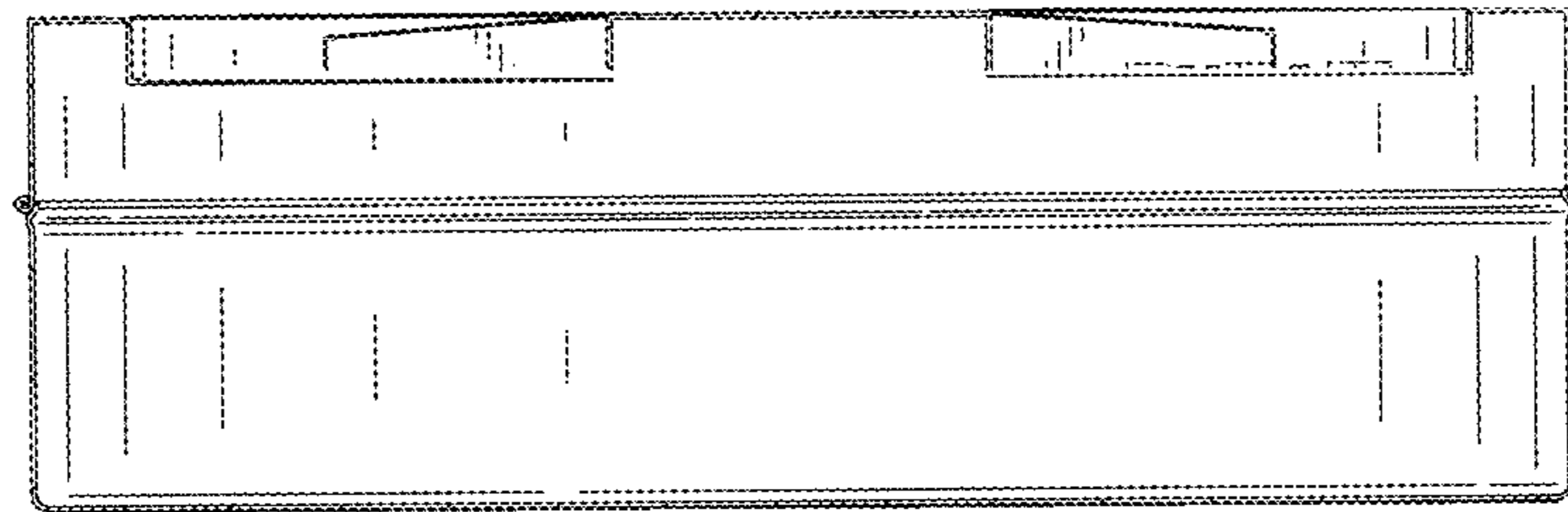


FIG. 6

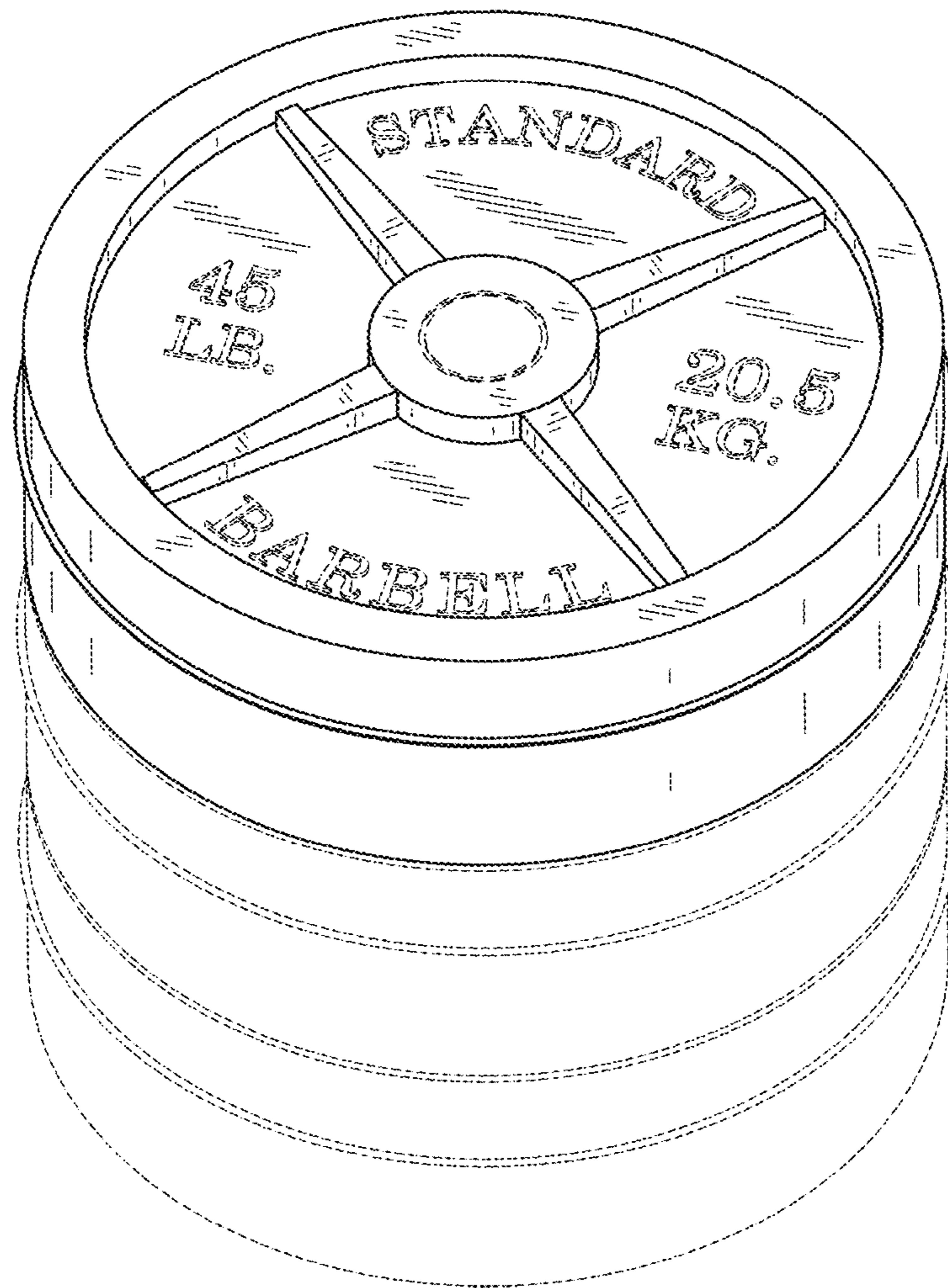


FIG. 7