



US00D852632S

(12) **United States Design Patent**  
**Bradley**

(10) **Patent No.:** **US D852,632 S**

(45) **Date of Patent:** **\*\* Jul. 2, 2019**

(54) **LIQUID CONTAINER**

(71) Applicant: **Mark Anthony Bradley**, Galway (IE)

(72) Inventor: **Mark Anthony Bradley**, Galway (IE)

(\*) Notice: This patent is subject to a terminal disclaimer.

(\*\*) Term: **15 Years**

(21) Appl. No.: **29/627,990**

(22) Filed: **Nov. 30, 2017**

(30) **Foreign Application Priority Data**

May 31, 2017 (GB) ..... 6013227

(51) **LOC (11) Cl.** ..... **09-01**

(52) **U.S. Cl.**  
USPC ..... **D9/528; D9/563**

(58) **Field of Classification Search**

USPC ..... D9/516, 523, 526-528, 530-531, 543,  
D9/563, 571, 575, 715, 719; D23/211.1,  
D23/225

CPC ..... B65D 1/00; B65D 1/02; B65D 1/0223;  
B65D 23/00; B65D 23/10; B65D 23/102;  
B65D 2501/00; B65D 2501/0009; B65D  
2501/0081

See application file for complete search history.

(56) **References Cited**

**U.S. PATENT DOCUMENTS**

D202,479 S \* 10/1965 Kelly ..... D9/528

D210,003 S \* 1/1968 Macaulay ..... D9/528

D219,867 S \* 2/1971 Reimer ..... D9/524

D229,483 S \* 12/1973 Cutler ..... D9/528

D248,831 S \* 8/1978 Anderson ..... D9/528

D279,078 S \* 6/1985 Franchi ..... D9/528

D286,615 S \* 11/1986 Lyons ..... D9/520

D287,226 S \* 12/1986 Lyons ..... D9/520

5,307,946 A \* 5/1994 Molinaro ..... B65D 1/0246

215/256

5,346,106 A \* 9/1994 Ring ..... B65D 1/20

215/370

D374,823 S \* 10/1996 Decker ..... D9/520

\* cited by examiner

*Primary Examiner* — Dana Meyrow

(74) *Attorney, Agent, or Firm* — Brian R. Galvin; Brian S. Boon; Galvin Patent Law, LLC

(57) **CLAIM**

The ornamental design for liquid container, as shown and described.

**DESCRIPTION**

FIG. 1 is an upper oblique view of a liquid container according to the invention.

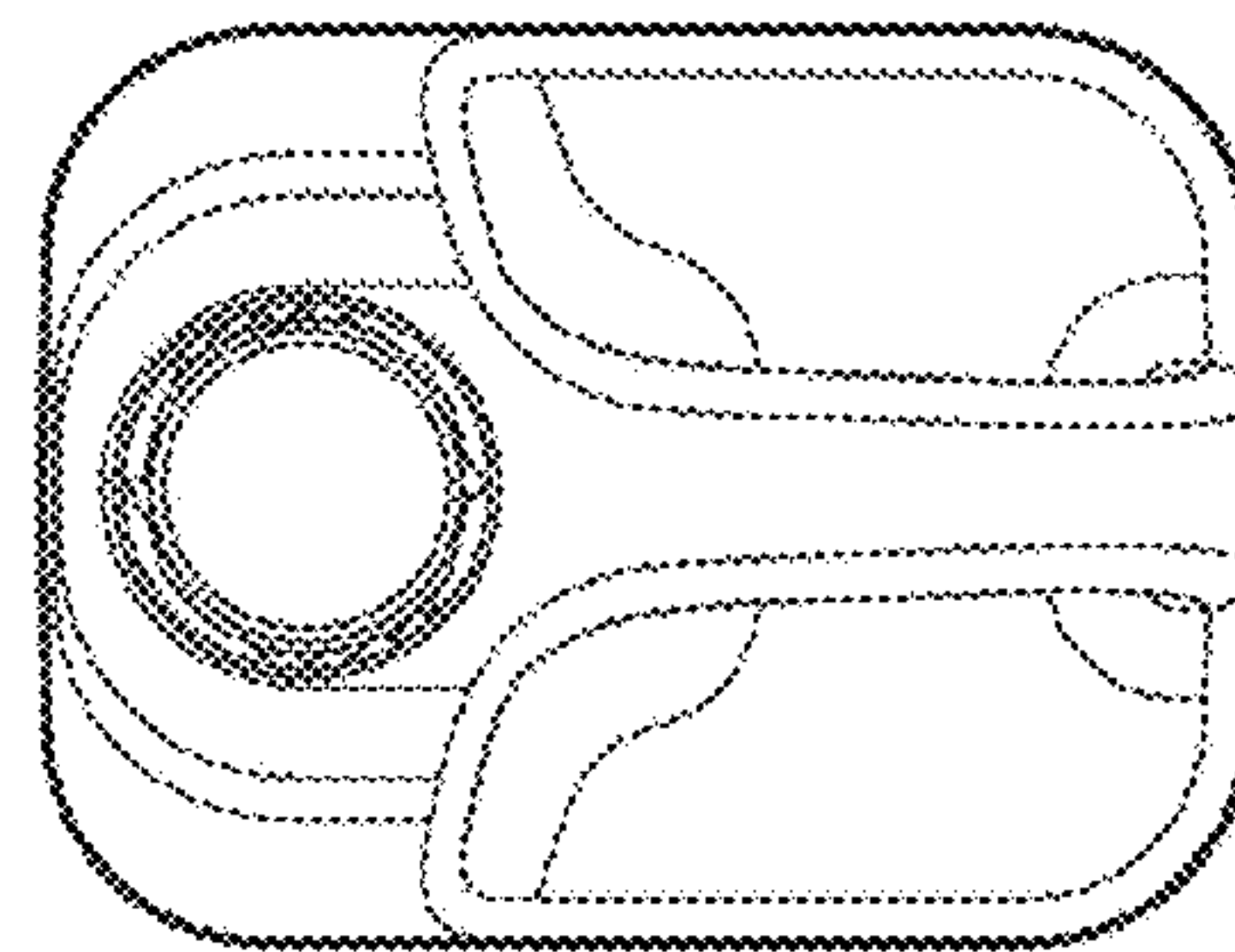
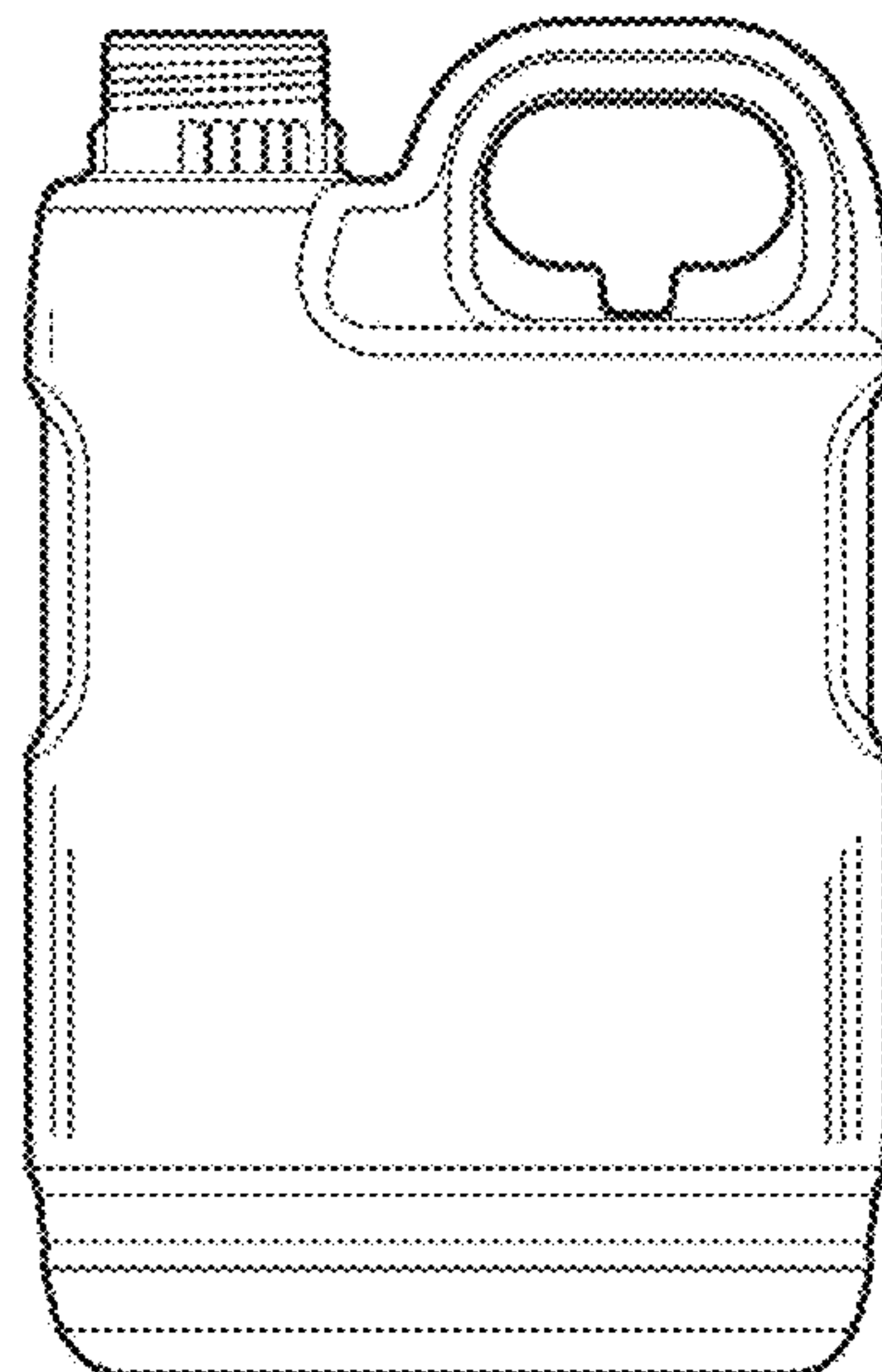
FIG. 2 is a side view of a liquid container according to the invention.

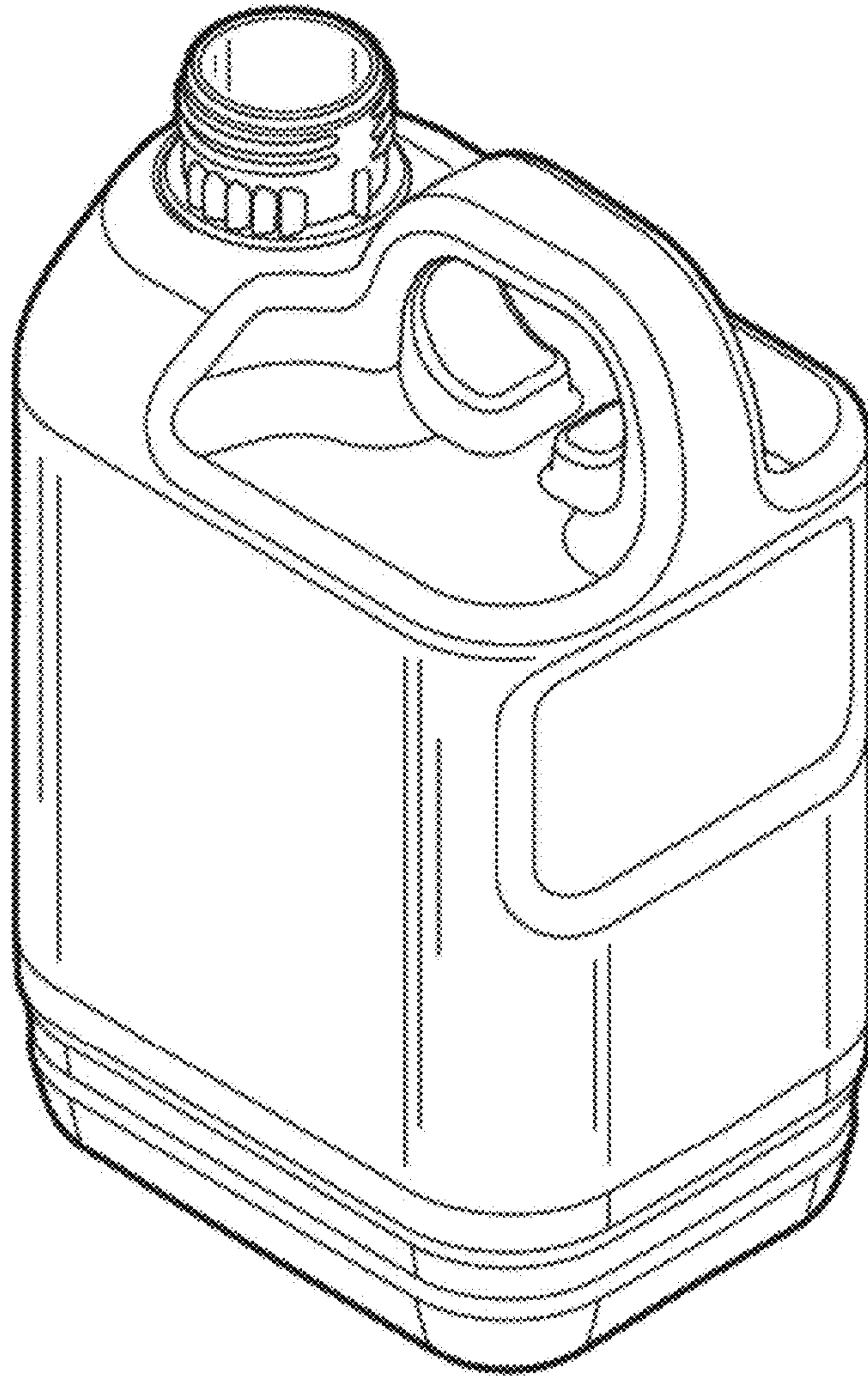
FIG. 3 is a rear view of a liquid container according to the invention.

FIG. 4 is a front view of a liquid container according to the invention; and,

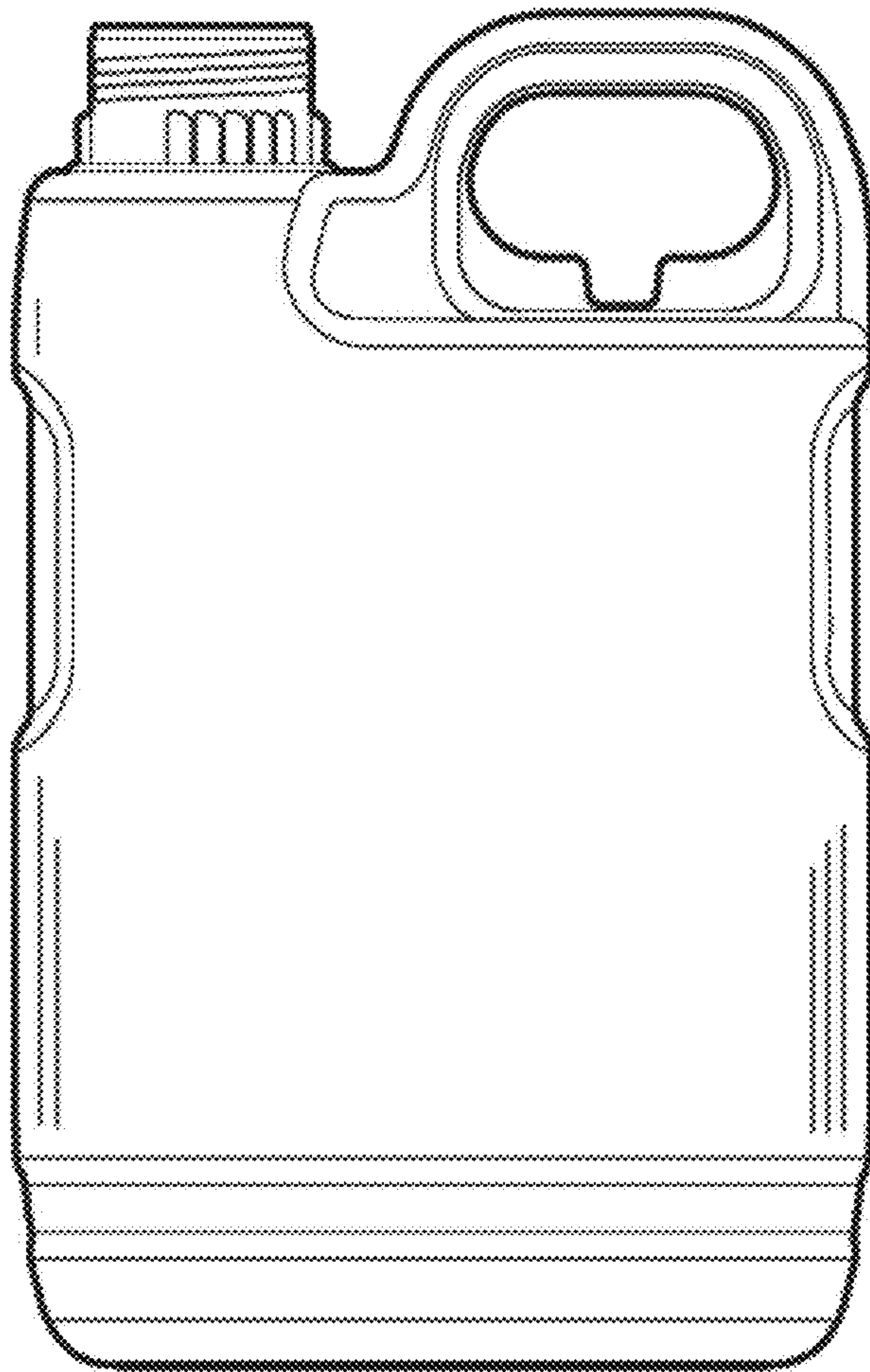
FIG. 5 is a top view of a liquid container according to the invention.

**1 Claim, 5 Drawing Sheets**

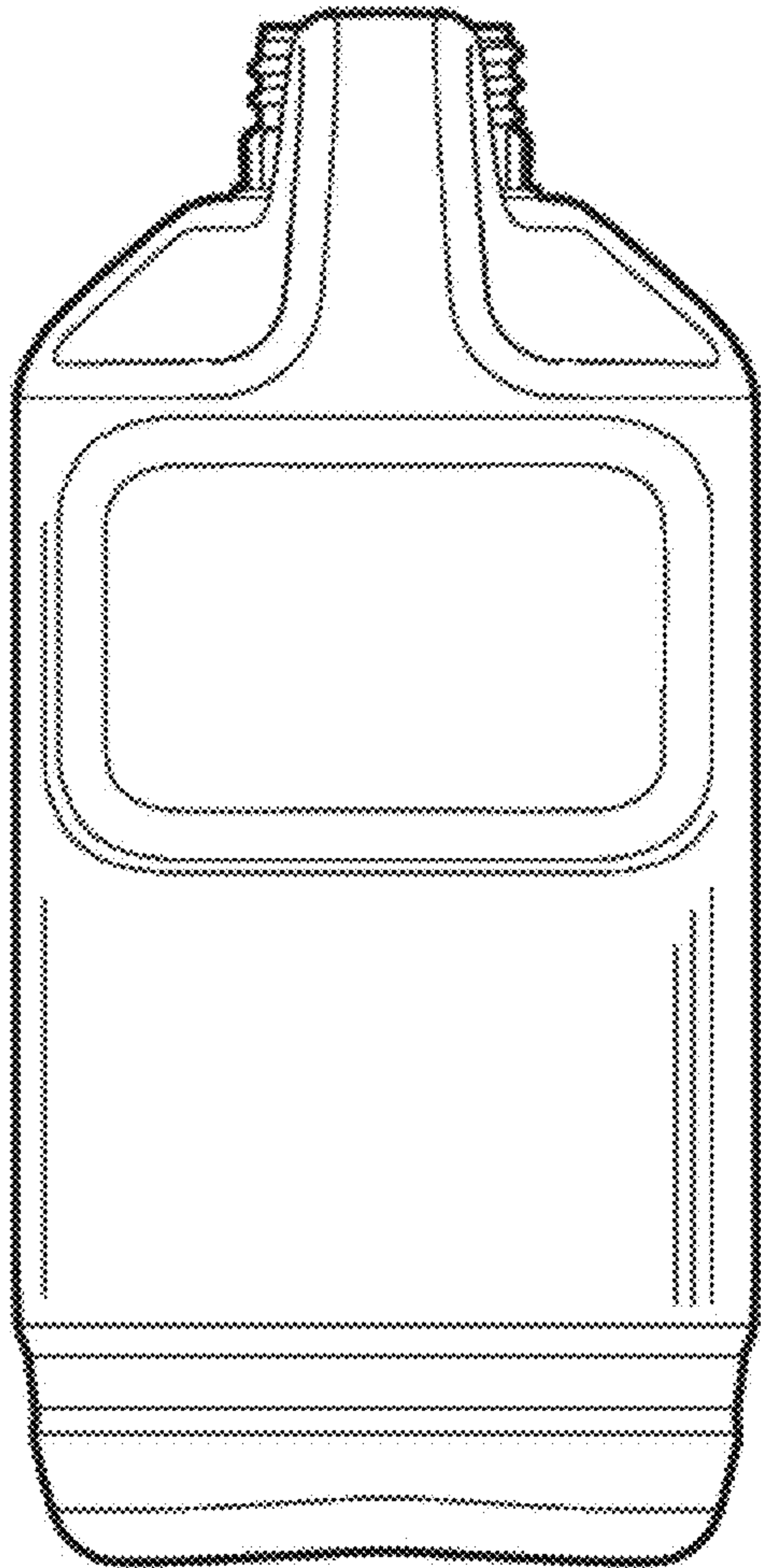




**Fig. 1**

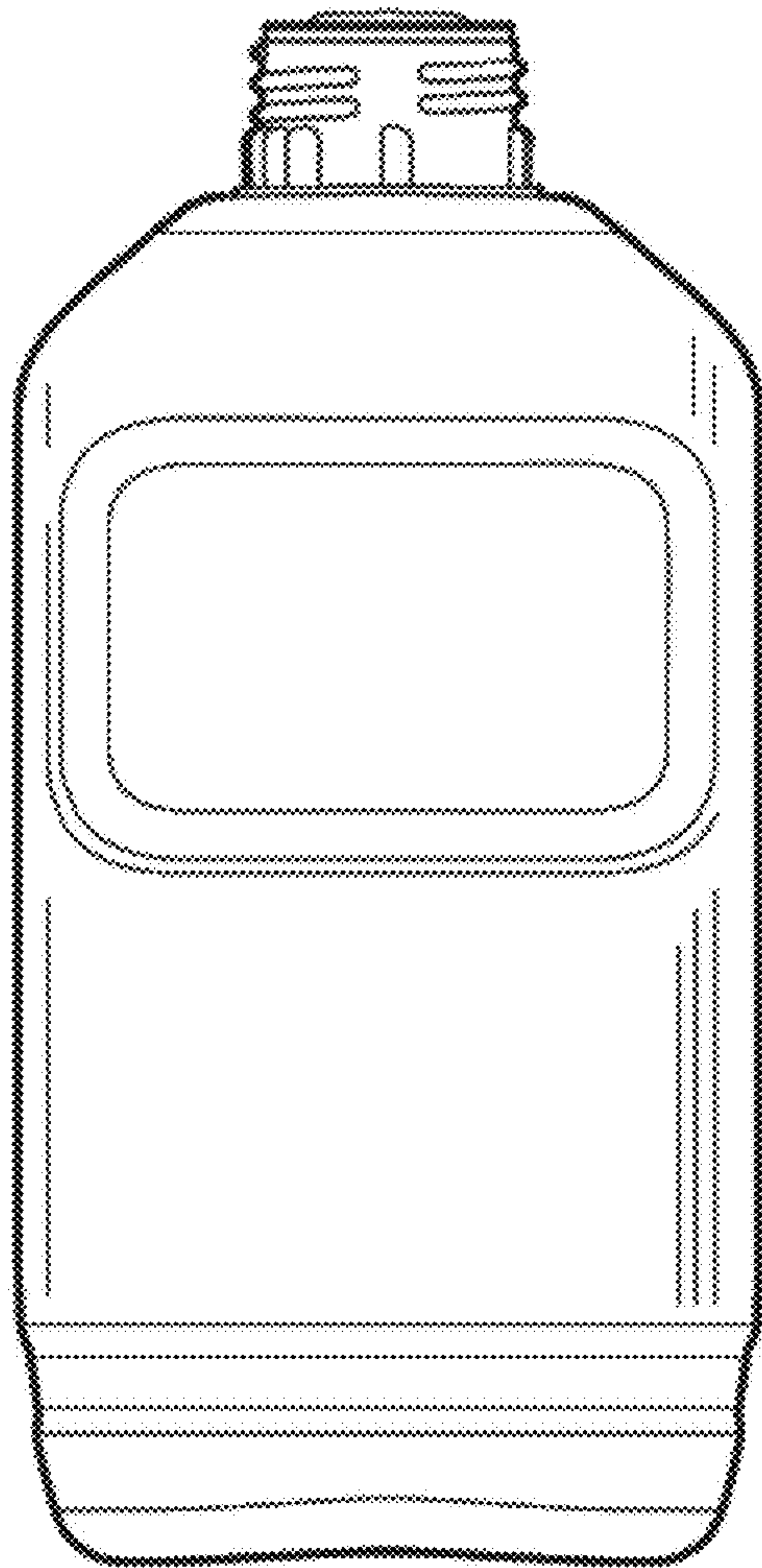


**Fig. 2**

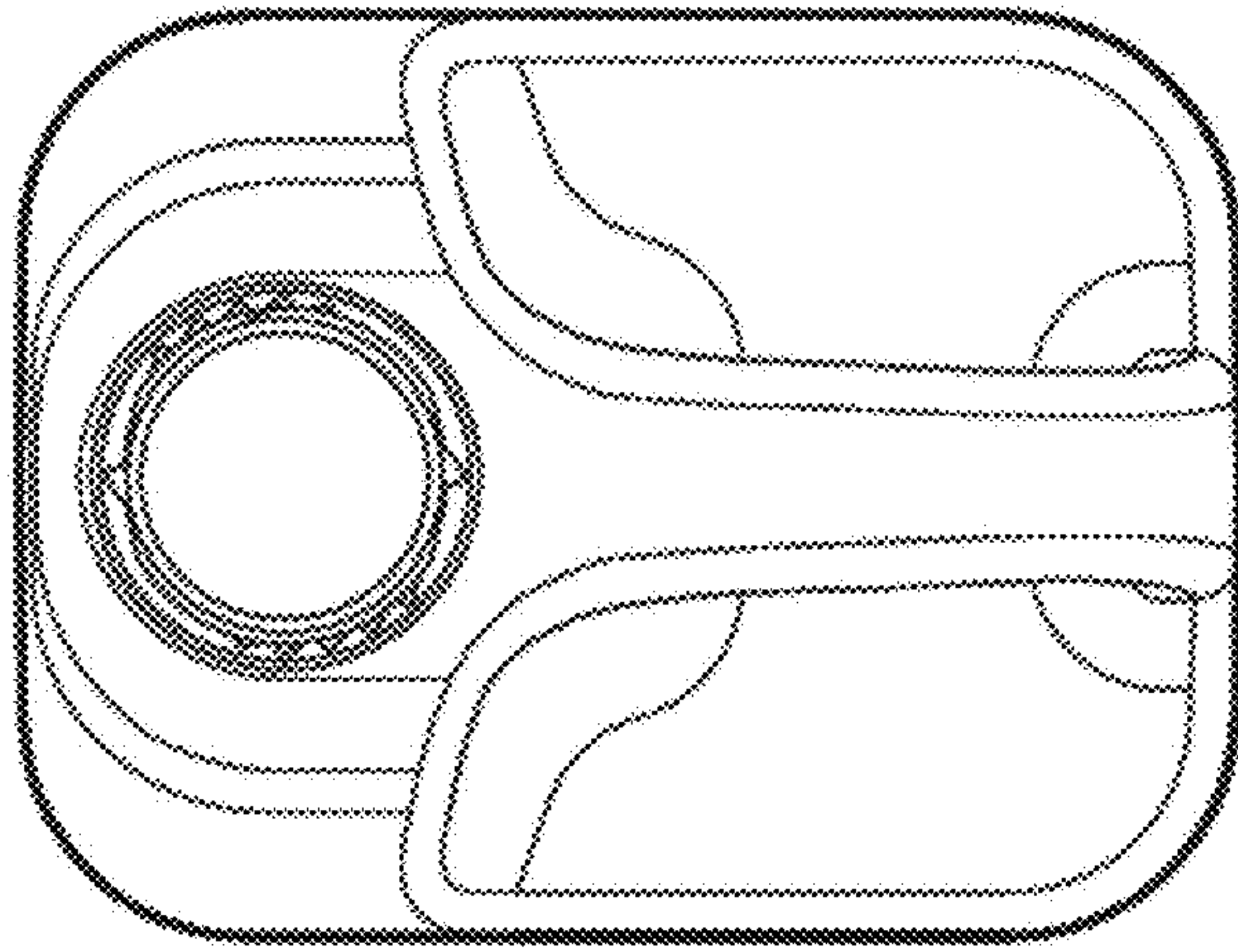


**Fig. 3**





**Fig. 4**



**Fig. 5**