



US00D852630S

(12) **United States Design Patent**
Nagata

(10) **Patent No.:** **US D852,630 S**

(45) **Date of Patent:** **** Jul. 2, 2019**

(54) **JAR**

(71) Applicant: **Kaori Nagata**, Tokyo (JP)

(72) Inventor: **Kaori Nagata**, Tokyo (JP)

(73) Assignee: **SHISEIDO CO., LTD.**, Tokyo (JP)

(**) Term: **15 Years**

(21) Appl. No.: **29/643,425**

(22) Filed: **Apr. 9, 2018**

(51) **LOC (11) Cl.** **09-01**

(52) **U.S. Cl.**
USPC **D9/503**; D9/454; D9/556; D9/558;
D9/692

(58) **Field of Classification Search**

USPC D9/434-435, 454, 500, 503-505, 516,
D9/549, 556, 558-559, 682, 690-692
CPC B65D 1/00; B65D 1/02; B65D 1/0207;
B65D 1/0223; B65D 1/10; B65D 23/00;
B65D 81/00; B65D 2501/00; B65D
2501/0009

See application file for complete search history.

(56) **References Cited**

U.S. PATENT DOCUMENTS

D247,548 S * 3/1978 Crary D7/540
D312,400 S * 11/1990 Schwaikert D9/424

D639,668 S * 6/2011 Niikura D9/553
D710,203 S * 8/2014 Becker D9/500
D777,575 S * 1/2017 Harada D9/500
D792,223 S * 7/2017 Kim D9/559
D814,239 S * 4/2018 Arora D7/510
D818,840 S * 5/2018 Nagata D9/692
D835,510 S * 12/2018 Arora D9/505

* cited by examiner

Primary Examiner — Dana Meyrow

(74) *Attorney, Agent, or Firm* — Manabu Kanesaka

(57) **CLAIM**

The ornamental design for jar, as shown and described.

DESCRIPTION

FIG. 1 is a perspective view of a jar showing my new design; FIG. 2 is a front view thereof, a rear view, left side view, and right side view being identical to the front view; FIG. 3 is a plan view thereof; FIG. 4 is a bottom view thereof; and, FIG. 5 is a cross-sectional view thereof along the line 5-5 in FIG. 2.

Container of outside portion of main body is transparent. The broken lines depict portions of the jar that form no part of claimed design.

1 Claim, 5 Drawing Sheets

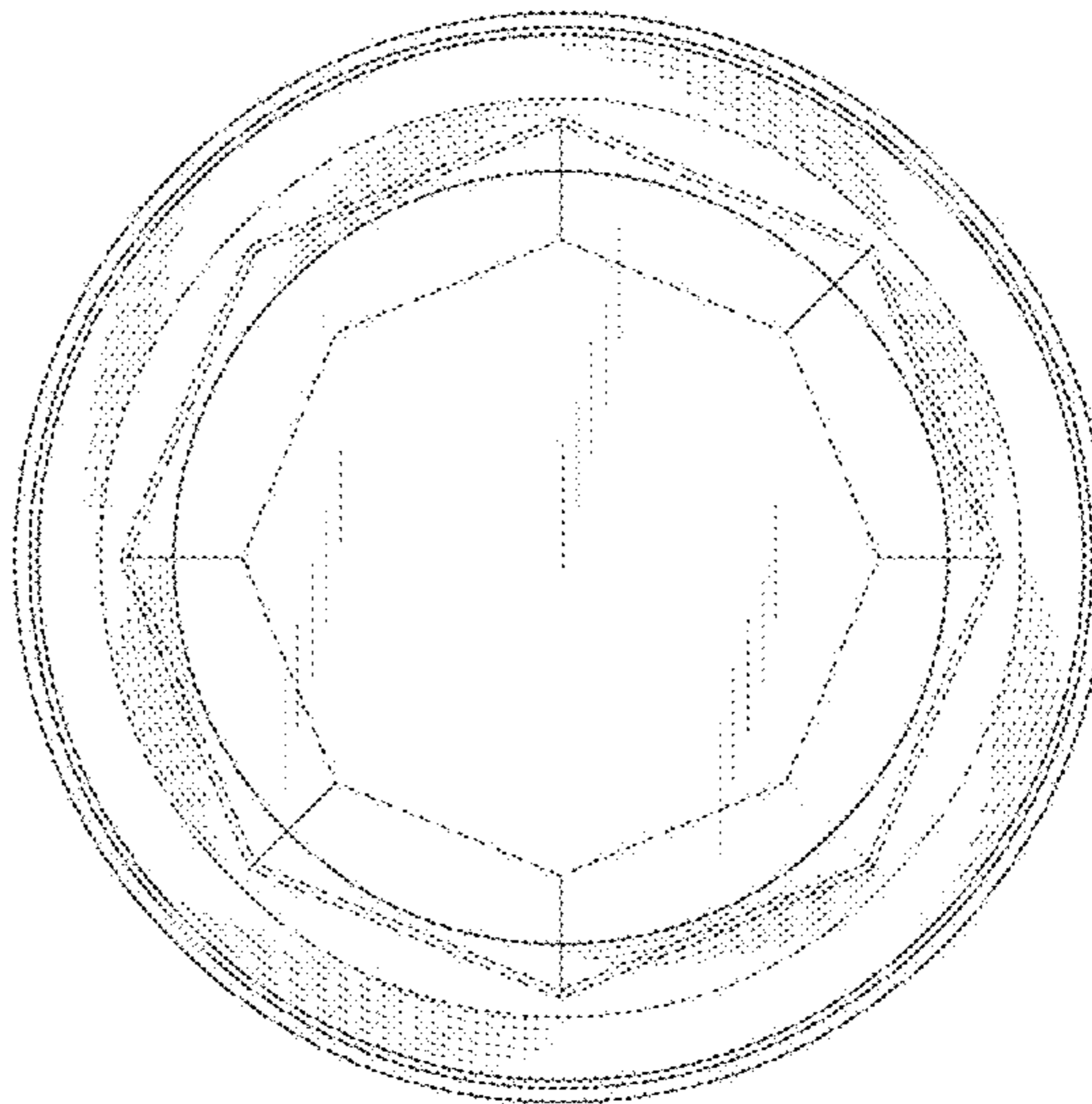
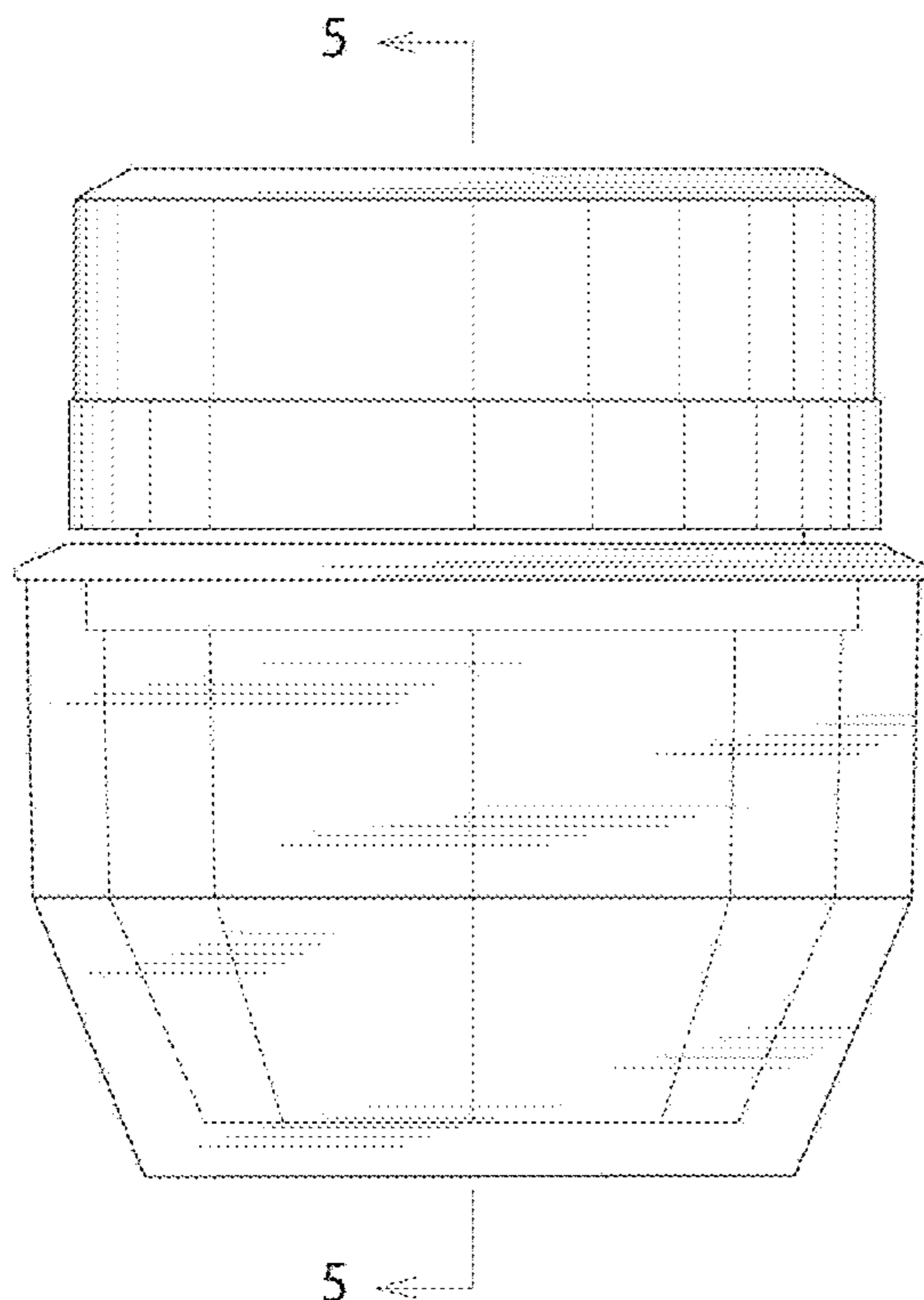


Fig. 1

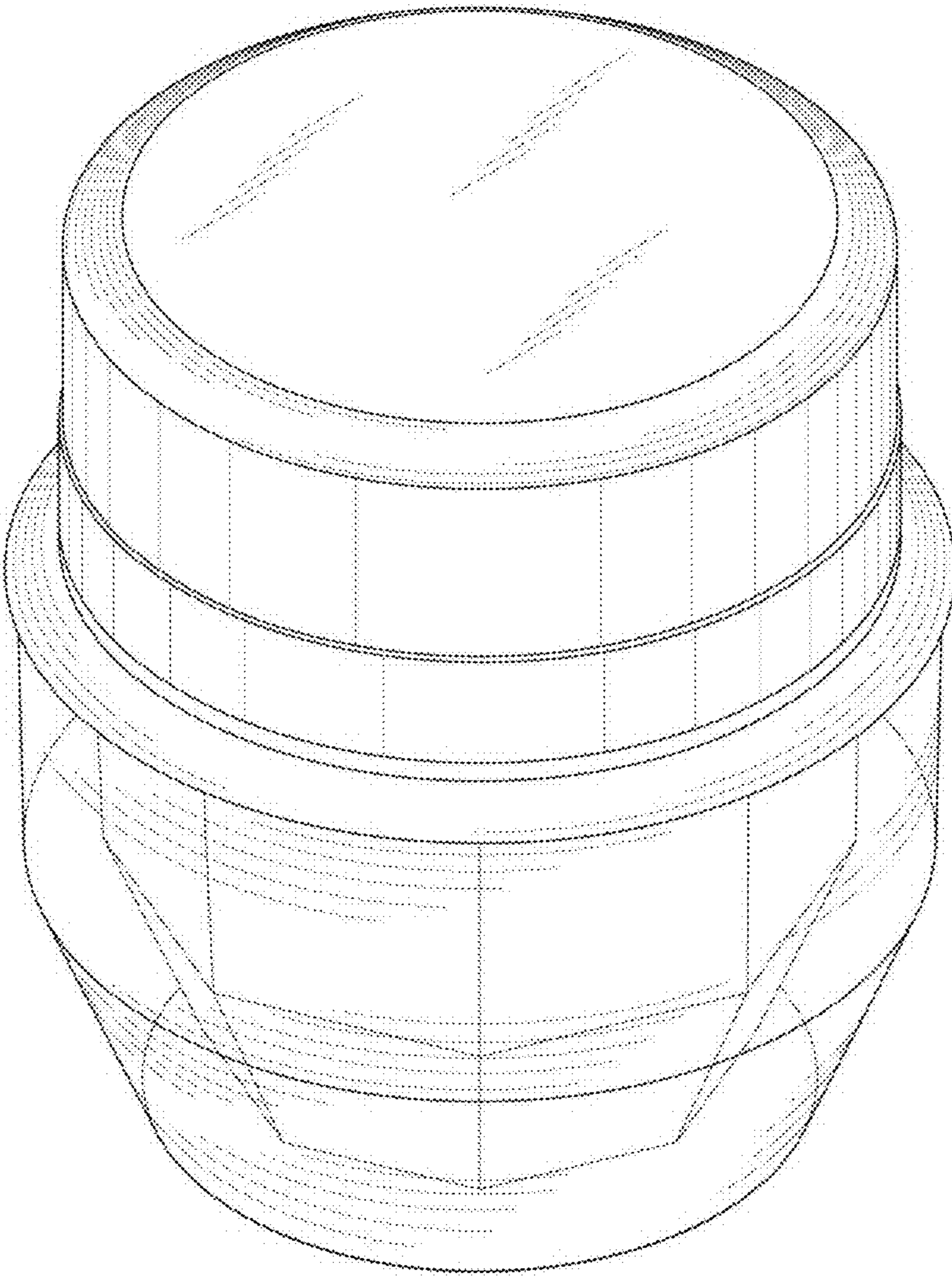


Fig. 2

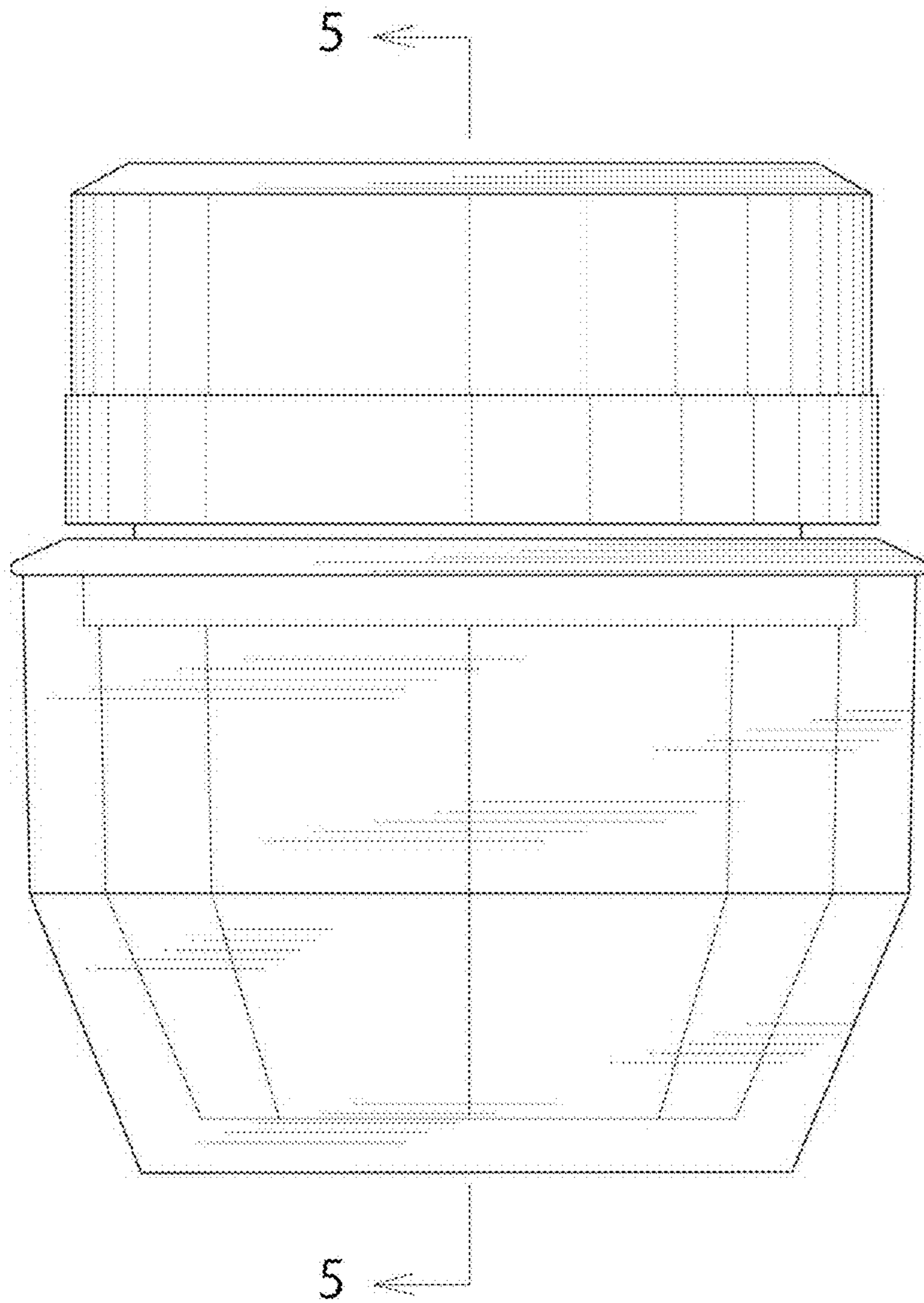


Fig. 3

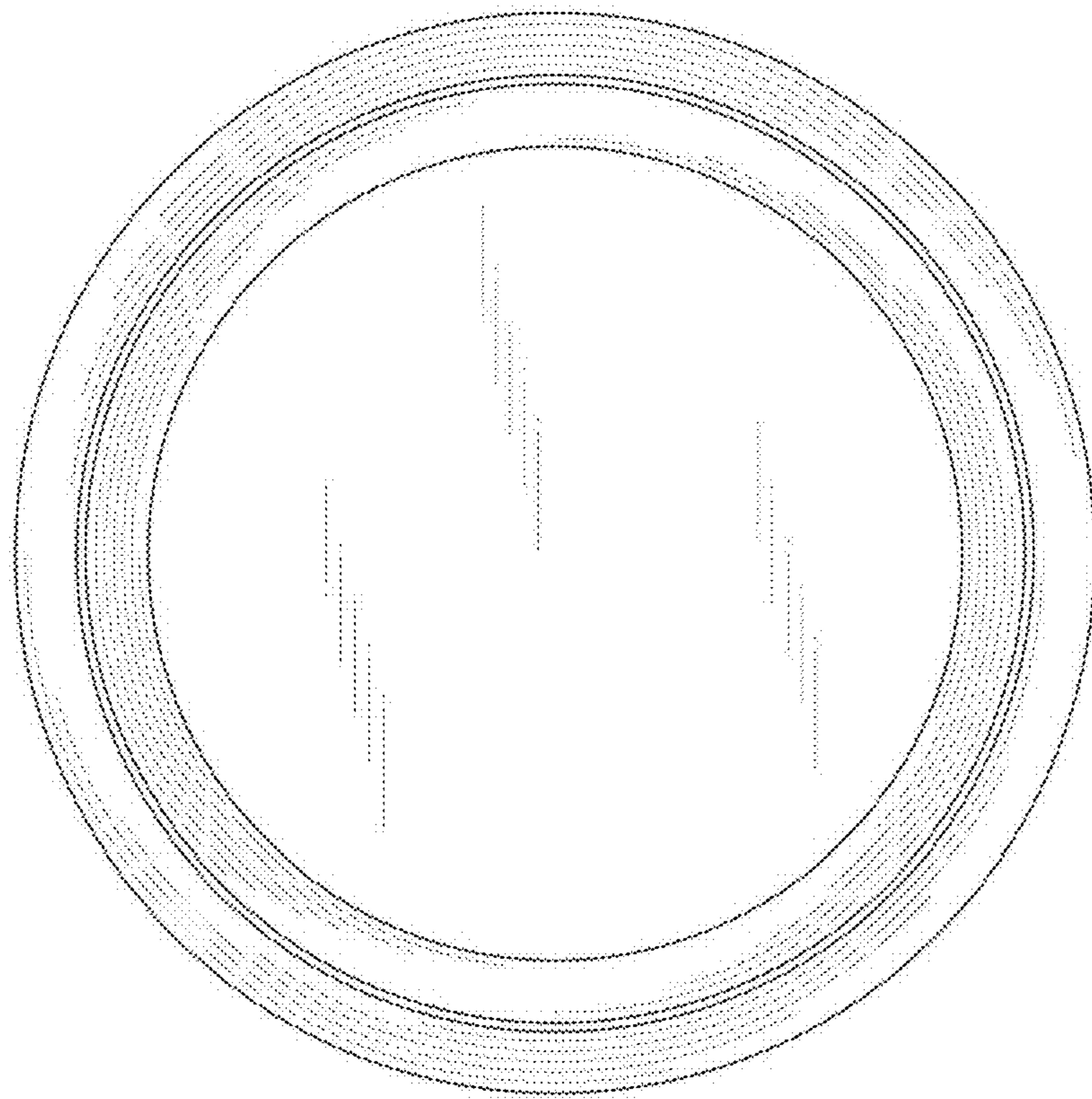


Fig. 4

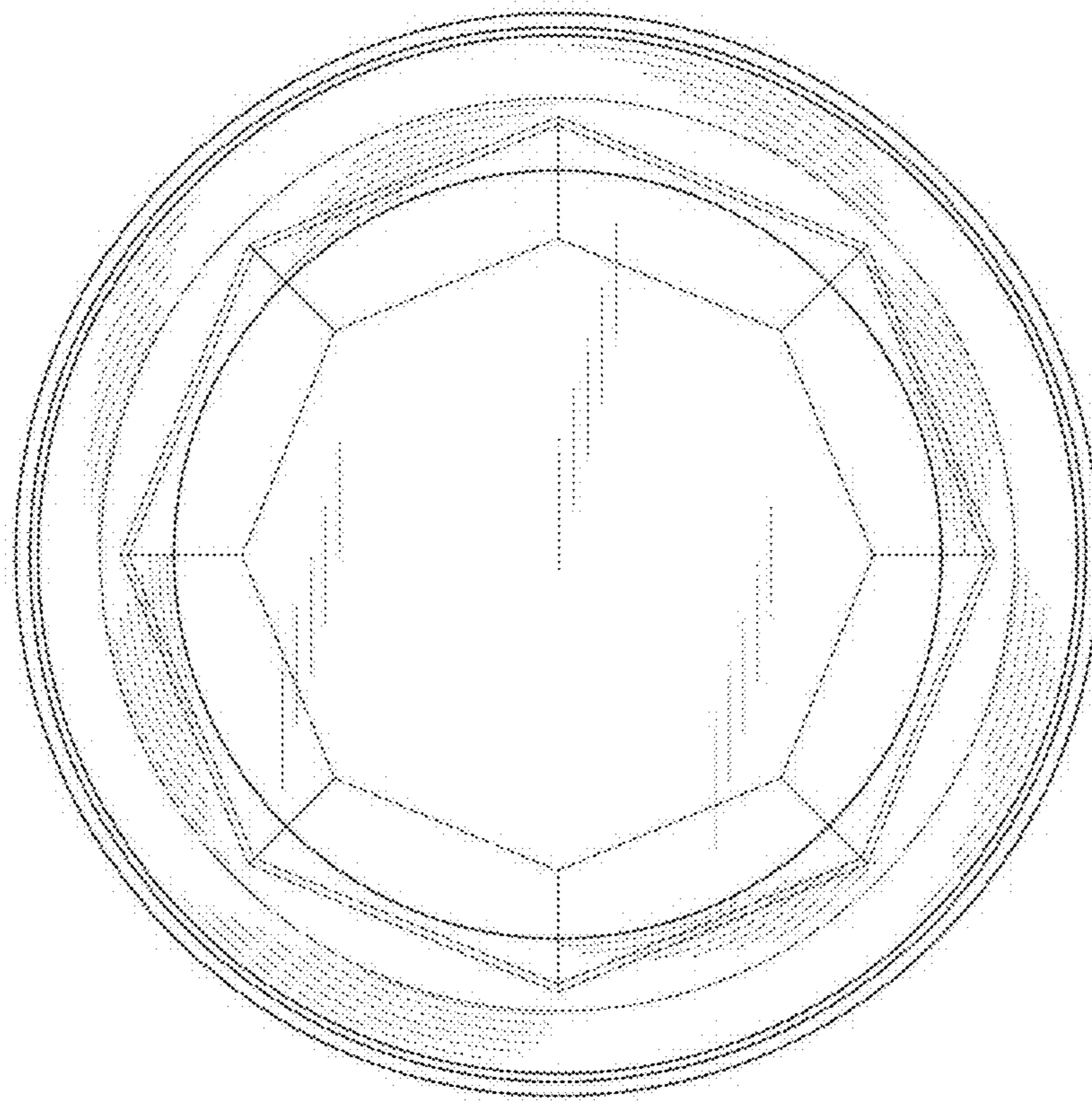


Fig. 5

