



US00D852627S

(12) **United States Design Patent**
Arminak

(10) **Patent No.:** **US D852,627 S**
(45) **Date of Patent:** **** Jul. 2, 2019**

(54) **HAND PUMP WITH FOLDING NOZZLE**

(71) Applicant: **Armin Arminak**, Pasadena, CA (US)

(72) Inventor: **Armin Arminak**, Pasadena, CA (US)

(**) Term: **15 Years**

(21) Appl. No.: **29/680,867**

(22) Filed: **Feb. 20, 2019**

(51) **LOC (11) Cl.** **09-07**

(52) **U.S. Cl.**
USPC **D9/449**

(58) **Field of Classification Search**
USPC D6/515, 530, 542-545; D7/387, 392,
D7/392.1, 397, 398, 401.1, 589, 590;
D8/14.1; D9/434-436, 439, 440, 443,
D9/447-450, 454, 499, 682, 685-691;
D15/7; D21/720; D23/208, 213, 252,
D23/255, 321; D28/76, 91.1
CPC B05B 11/3059; B05B 11/3001; F04B 9/14;
F04B 23/02; F04B 23/023
See application file for complete search history.

(56) **References Cited**

U.S. PATENT DOCUMENTS

D214,883	S	*	8/1969	Hazard	D9/450
D217,710	S	*	6/1970	Hazard	D9/450
D226,806	S	*	5/1973	Hazard	D9/450
3,874,562	A		4/1975	Hazard		
4,479,589	A		10/1984	Ford		
4,819,832	A		4/1989	Lawson		
D381,909	S	*	8/1997	Sayers	D9/447
D381,910	S	*	8/1997	Sayers	D9/447
D385,792	S	*	11/1997	Sayers	D9/448
D419,877	S	*	2/2000	Sayers	D9/448

(Continued)

FOREIGN PATENT DOCUMENTS

GB	1466436	3/1977
JP	08038959	2/1996

(Continued)

OTHER PUBLICATIONS

What Emma Did. Beauty: Mario Badescu for Fighting Acne. May 28, 2015. <URL:http://whatemmadid.com/beauty-mario-badescu-fighting-acne/>. (Year: 2015).*

Primary Examiner — George D. Kirschbaum

Assistant Examiner — Darcey E Gottschalk

(74) *Attorney, Agent, or Firm* — Cislo & Thomas, LLP

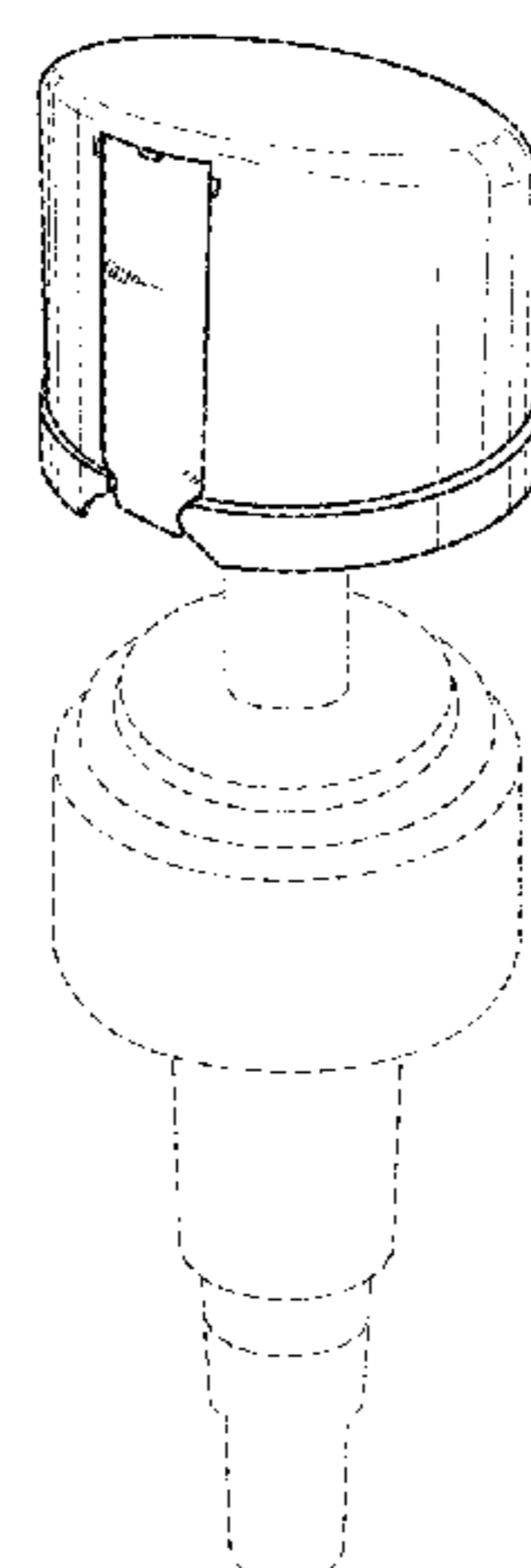
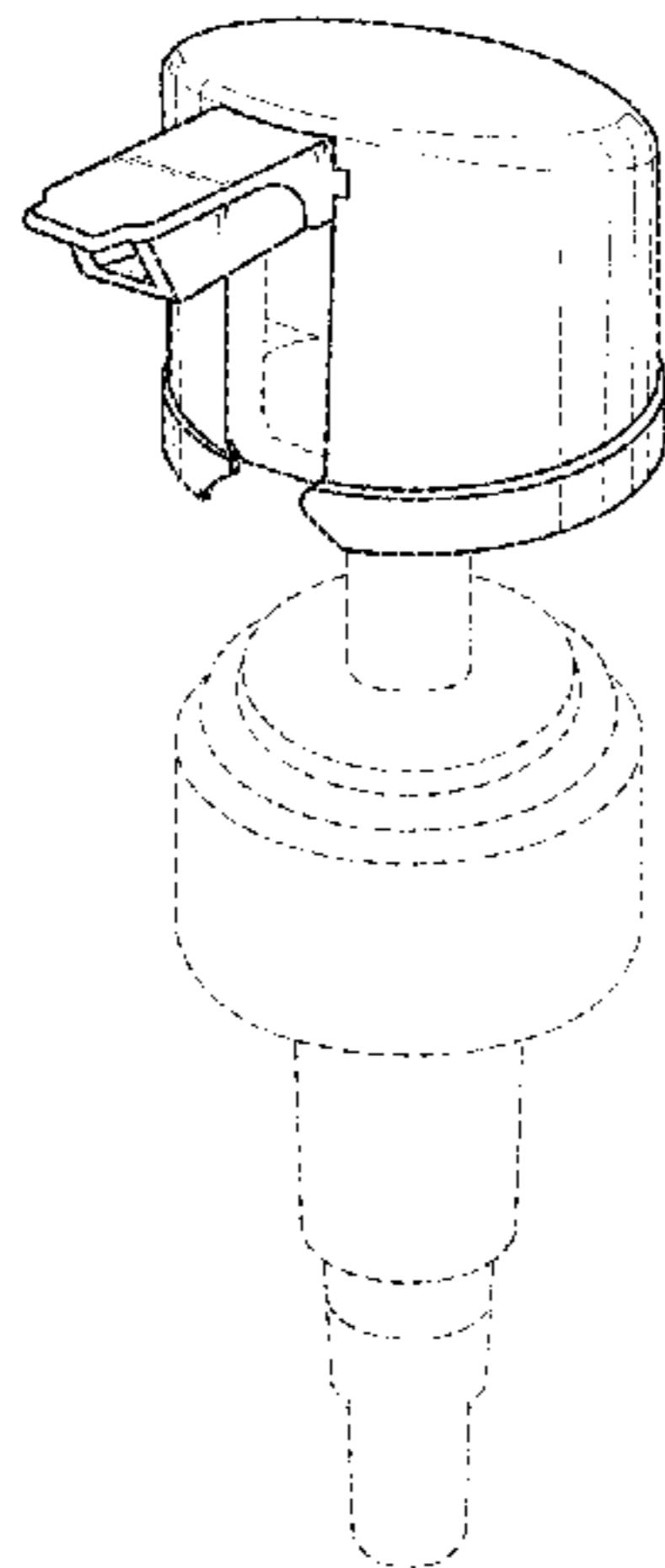
(57) **CLAIM**

The ornamental design for a hand pump with folding nozzle, as shown and described.

DESCRIPTION

FIG. 1 is a front perspective view of the hand pump with folding nozzle, showing my new design, with the nozzle in the open position;
FIG. 2 is a rear perspective view thereof;
FIG. 3 is a front elevation view thereof;
FIG. 4 is a rear elevation view thereof;
FIG. 5 is a right side elevation view thereof;
FIG. 6 is a left side elevation view thereof;
FIG. 7 is a top plan view thereof; and
FIG. 8 is a bottom plan view thereof.
FIG. 9 is a front perspective view of the hand pump with folding nozzle, showing my new design, with the nozzle in the closed position;
FIG. 10 is a rear perspective view thereof;
FIG. 11 is a front elevation view thereof;
FIG. 12 is a rear elevation view thereof;
FIG. 13 is a right side elevation view thereof;
FIG. 14 is a left side elevation view thereof;
FIG. 15 is a top plan view thereof; and
FIG. 16 is a bottom plan view thereof.
The broken lines are for environmental purposes only and form no part of the claimed design.

1 Claim, 12 Drawing Sheets



(56)

References Cited

U.S. PATENT DOCUMENTS

D456,260	S *	4/2002	Boshuizen	D9/448
D532,301	S *	11/2006	Moretti	D9/448
D536,971	S *	2/2007	Arminak	D9/448
D539,143	S *	3/2007	Arminak	D9/448
7,249,692	B2	7/2007	Walters et al.	
D551,003	S *	9/2007	Leonard	D6/543
D590,713	S *	4/2009	Ray	D9/450
D644,926	S *	9/2011	Davis	D9/448
D681,475	S *	5/2013	Park	D9/682
D720,218	S *	12/2014	Hutson	D9/443
D763,082	S *	8/2016	Bos	D9/449
D770,798	S *	11/2016	Yang	D6/542
D790,342	S *	6/2017	Farrell	D9/448
D795,702	S *	8/2017	Teller	D9/691
D807,692	S *	1/2018	Yao	D7/392.1
D812,966	S *	3/2018	Murosky	D7/392.1
D813,034	S *	3/2018	Teller	D9/448
D836,435	S *	12/2018	Praster	D9/448
2010/0006606	A1	1/2010	Lee	

FOREIGN PATENT DOCUMENTS

JP	10101115	4/1996
WO	2017140542	8/2017

* cited by examiner

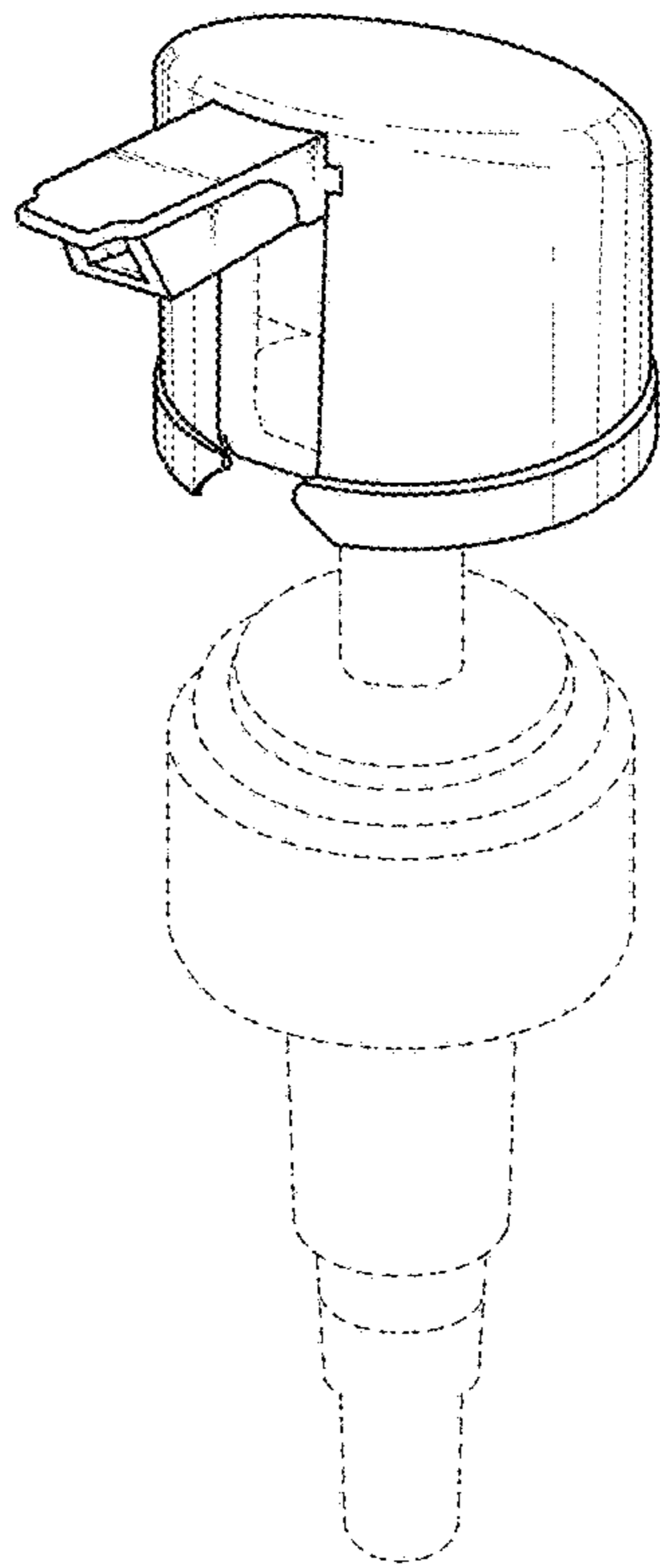


Fig. 1

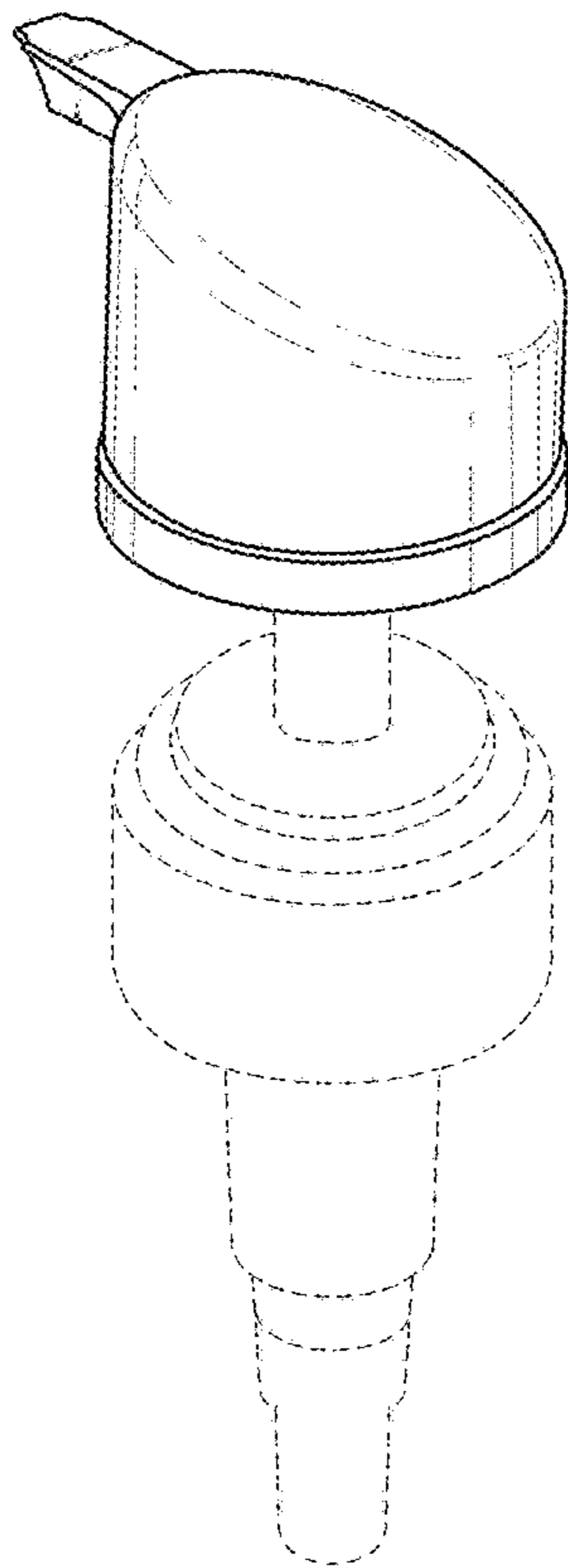


Fig. 2

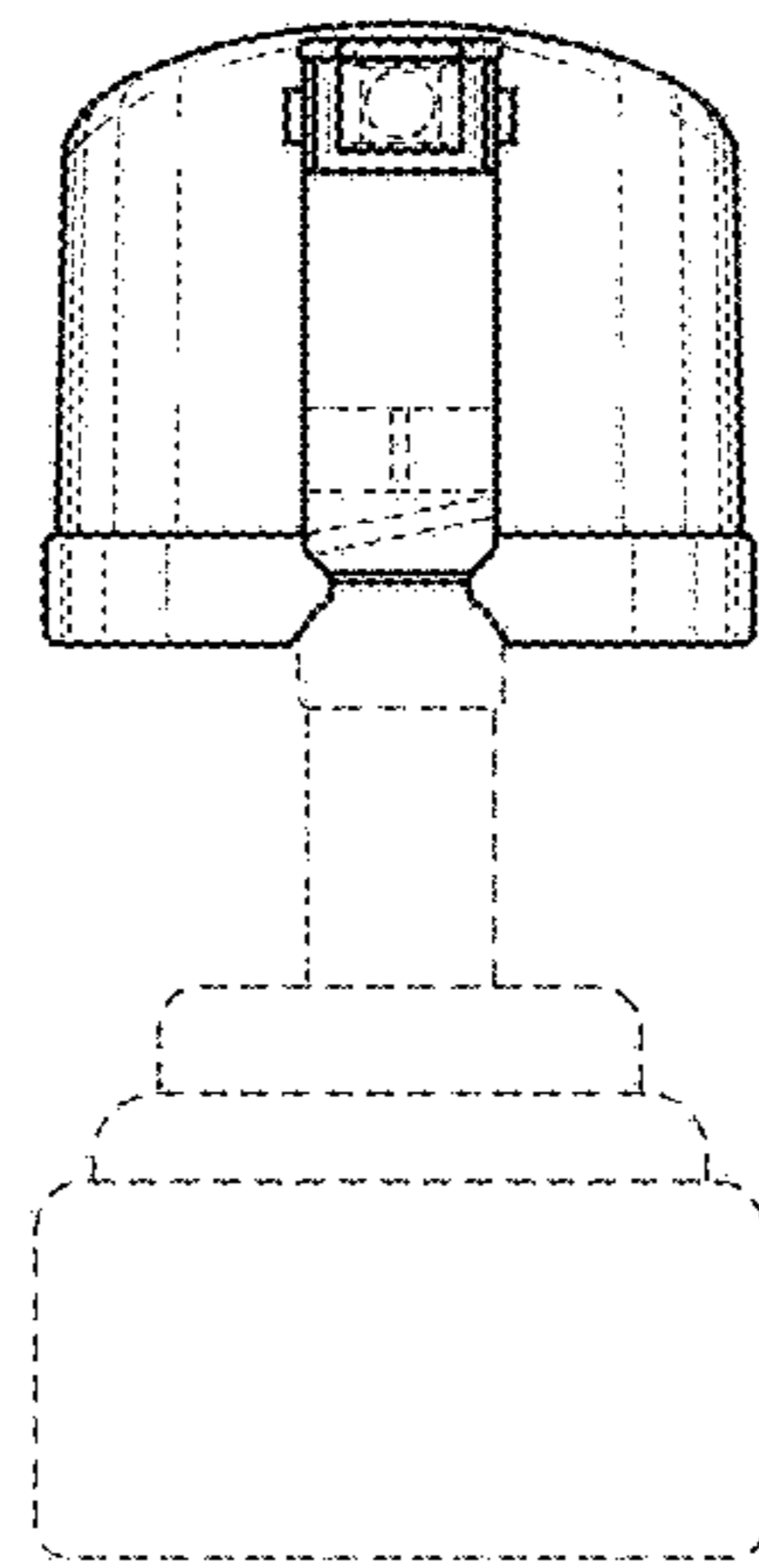


Fig. 3

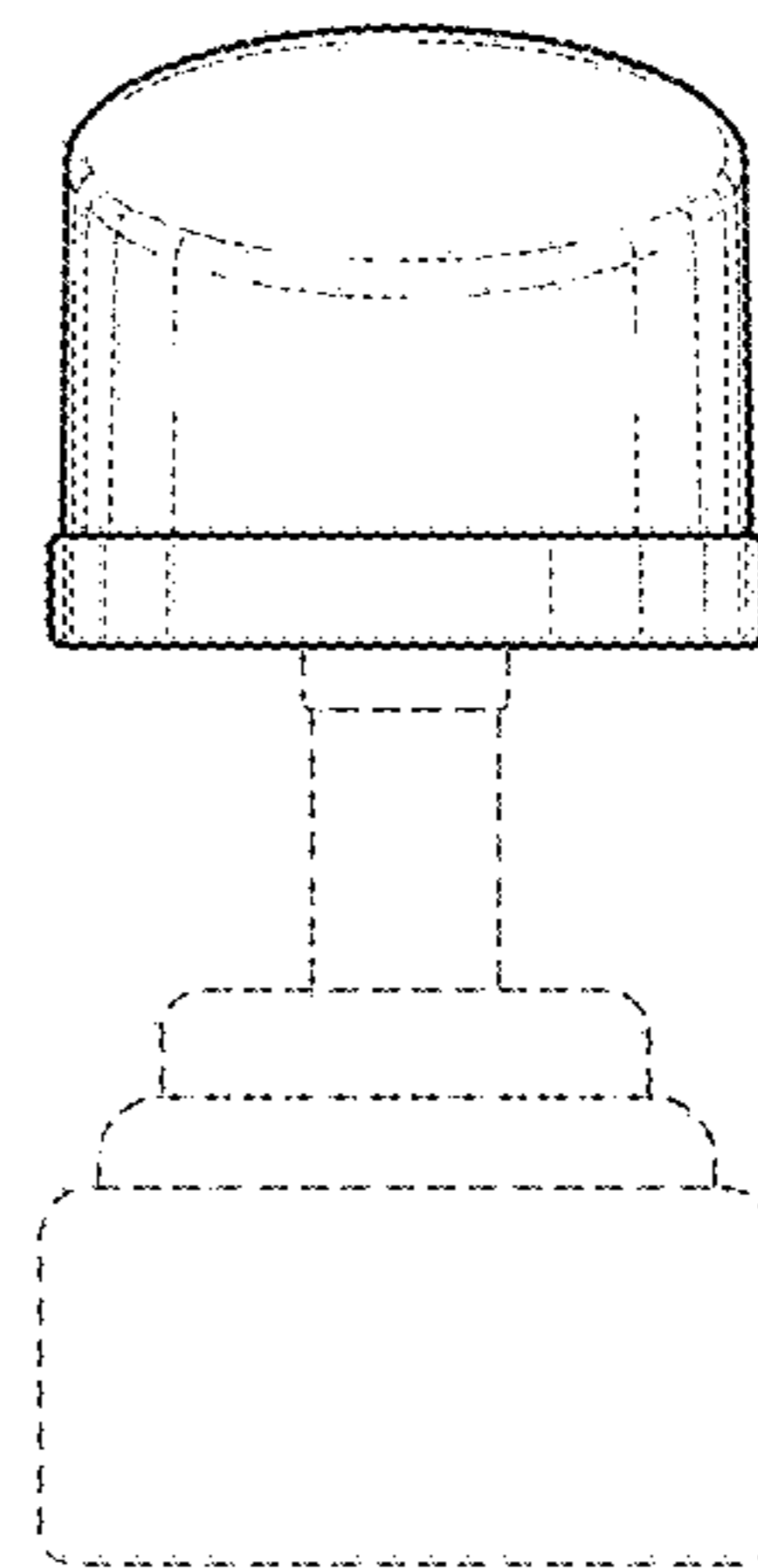


Fig. 4

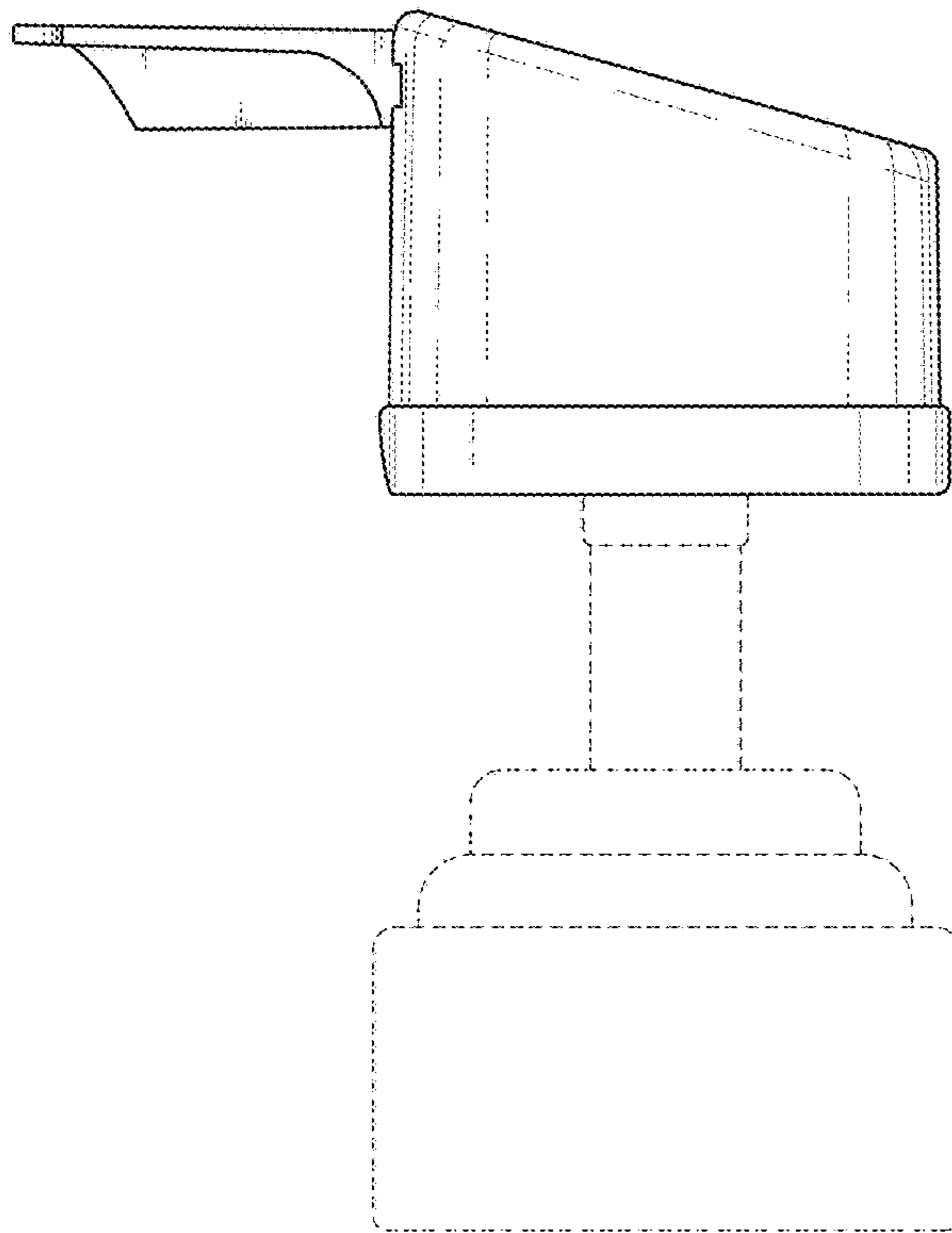


Fig. 5

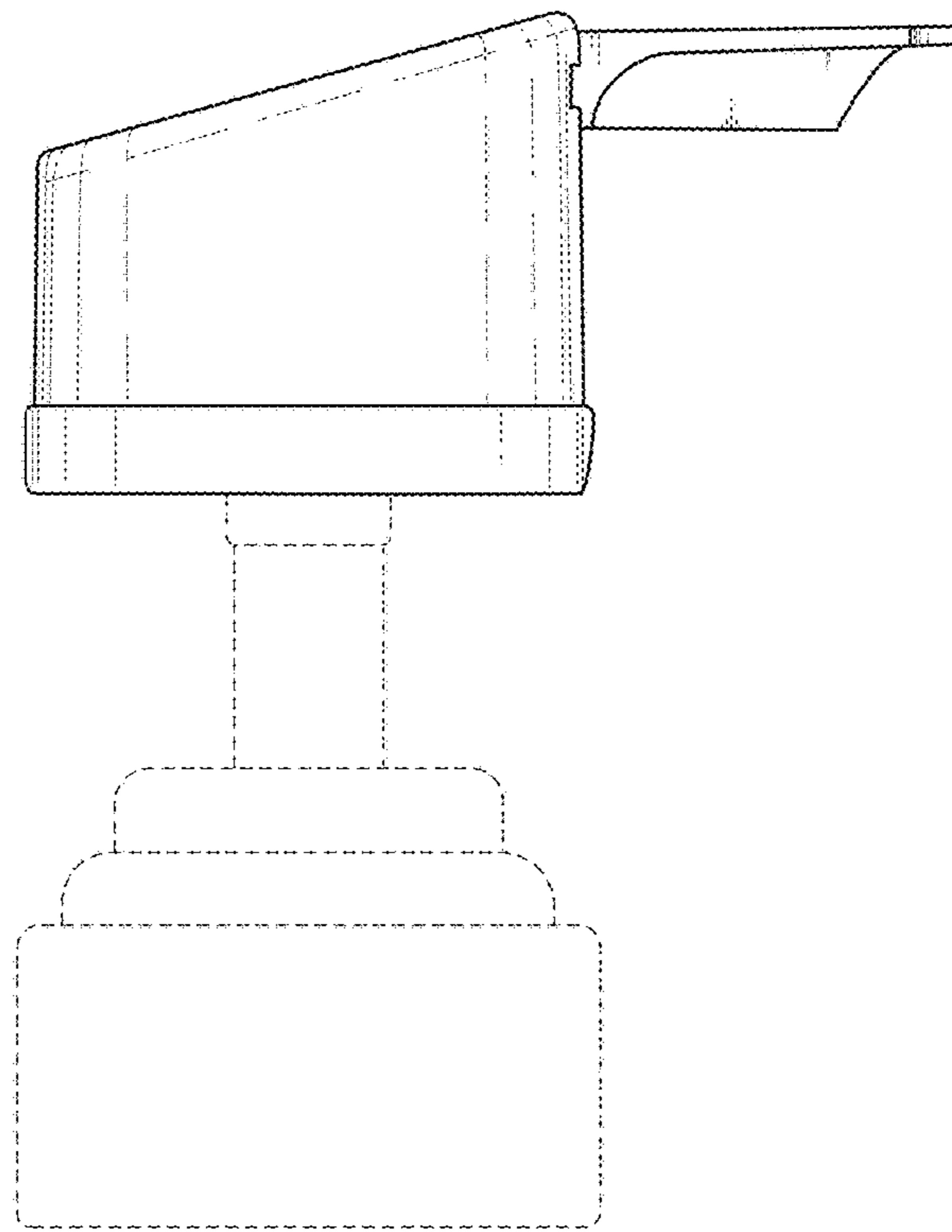


Fig. 6

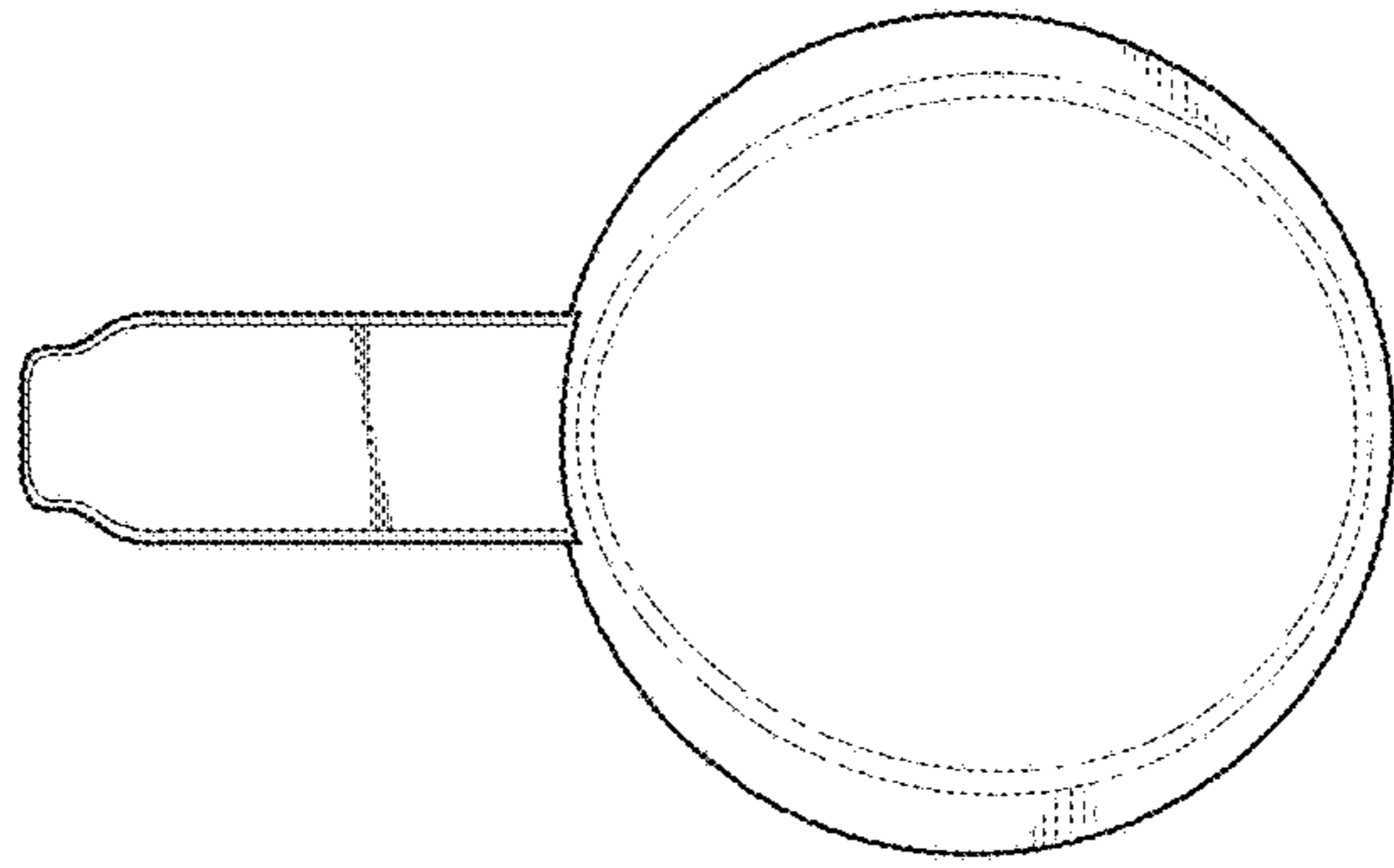


Fig. 7

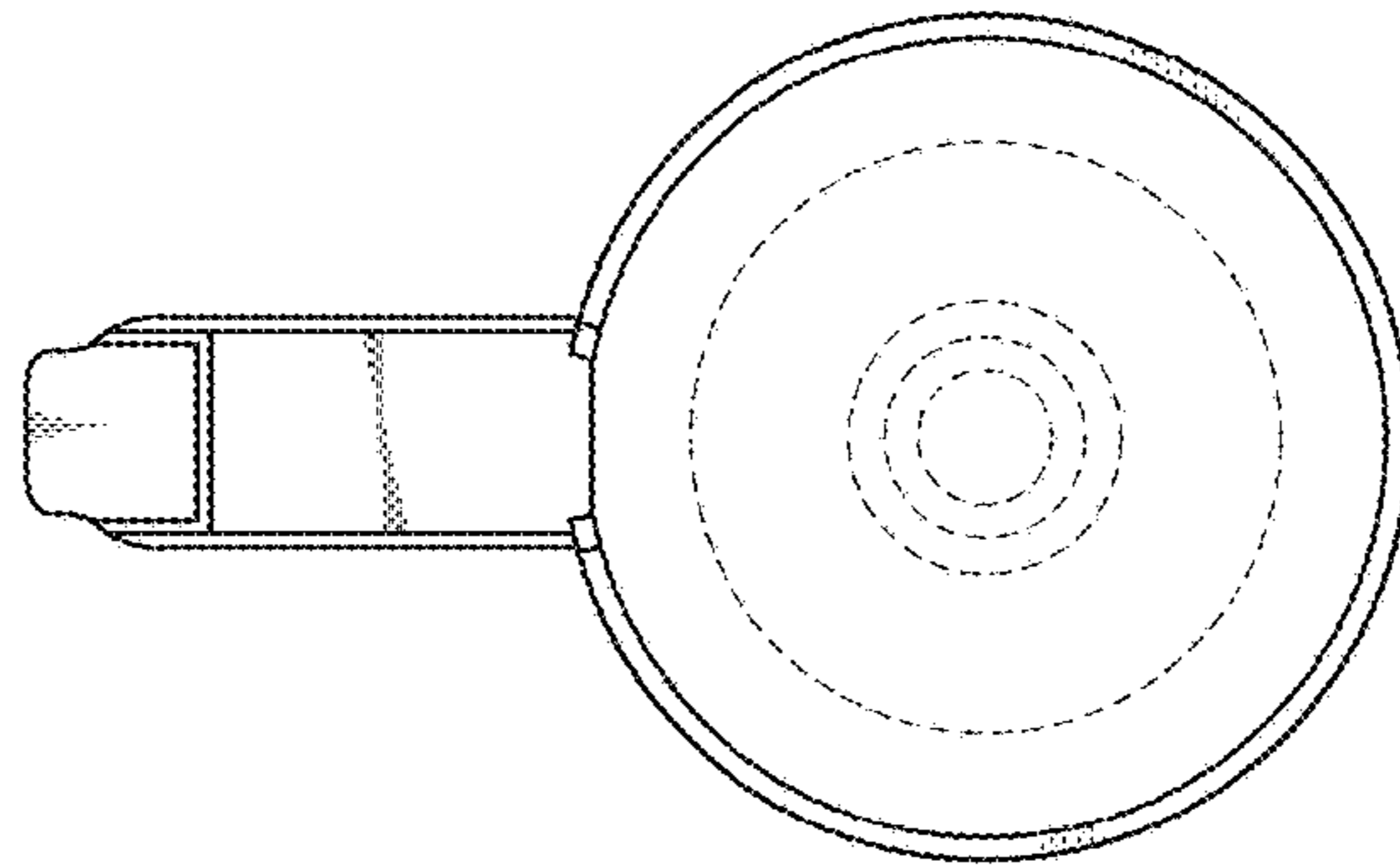


Fig. 8

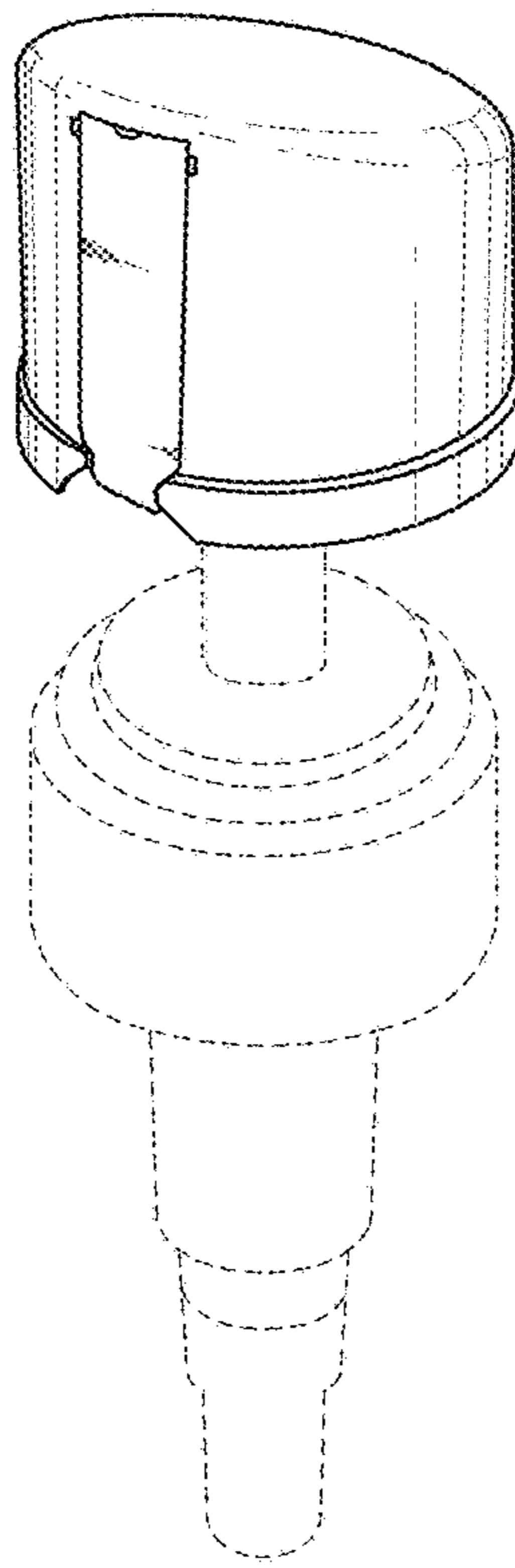


Fig. 9

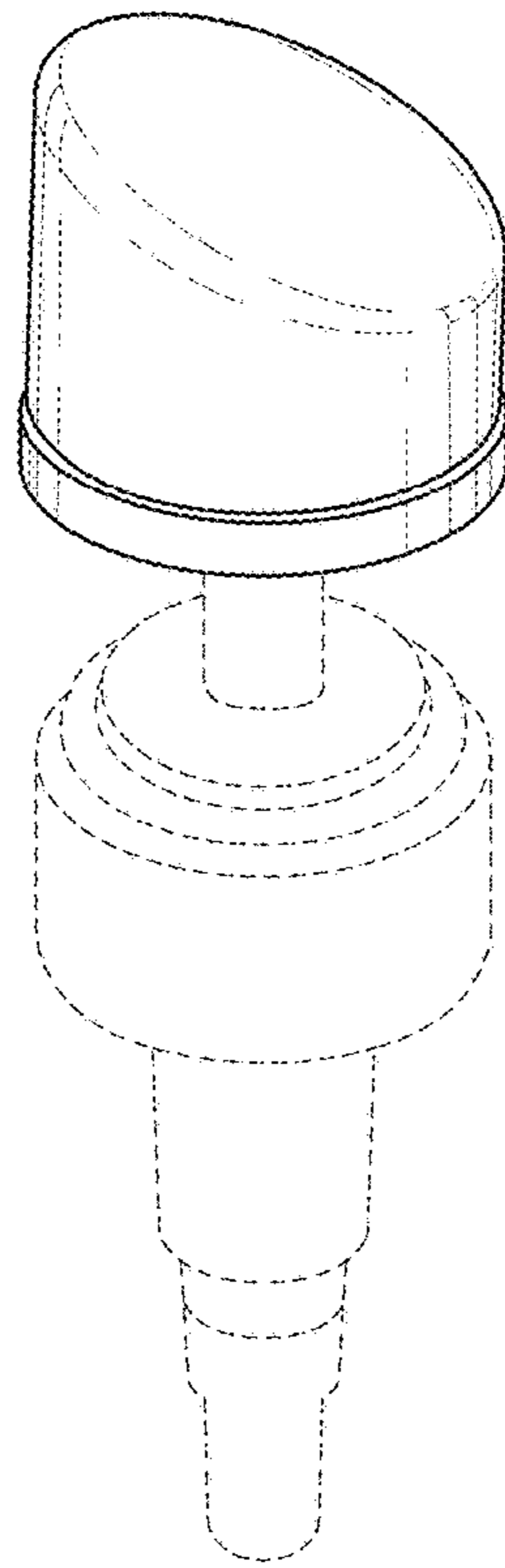


Fig. 10

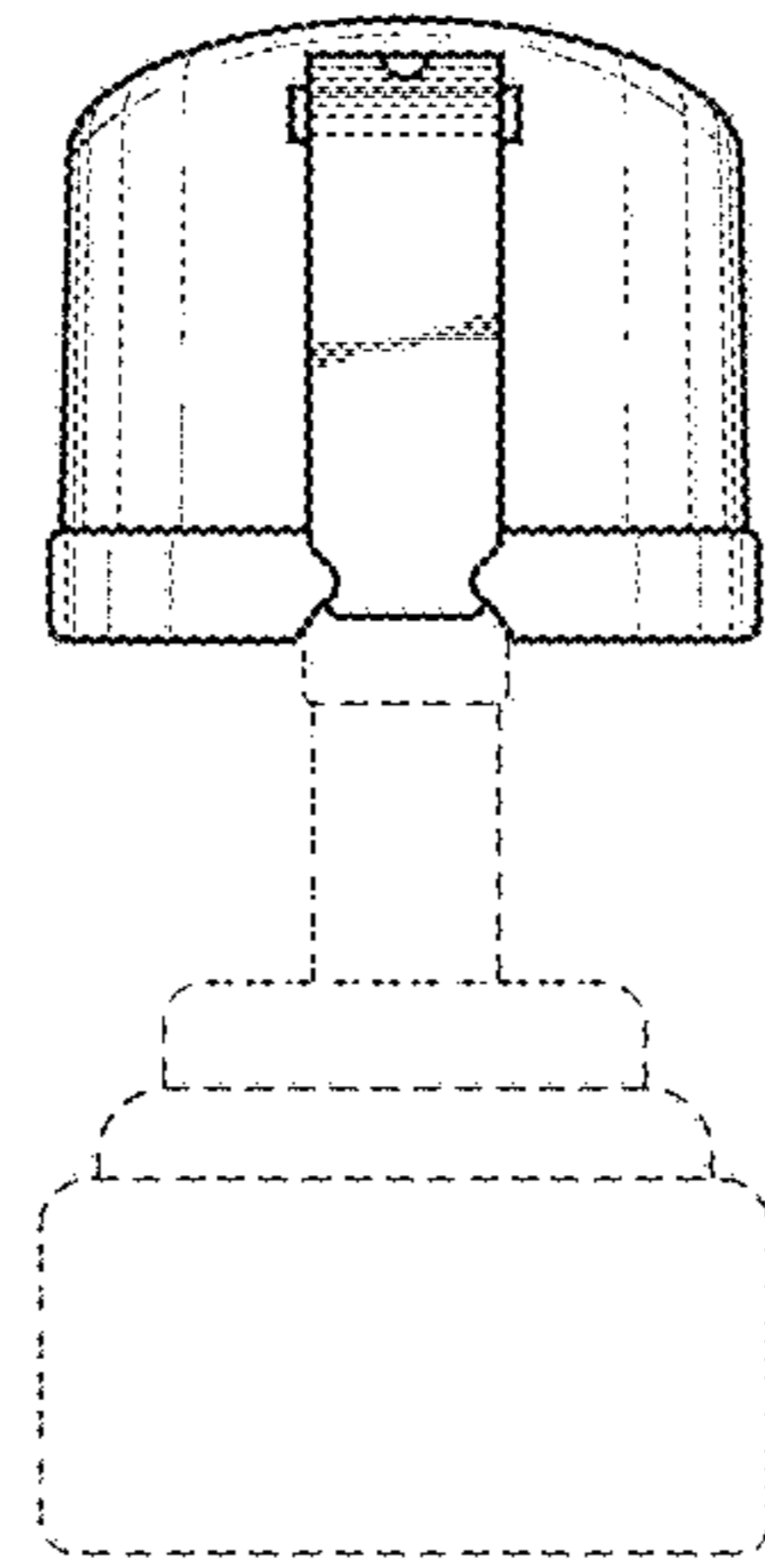


Fig. 11

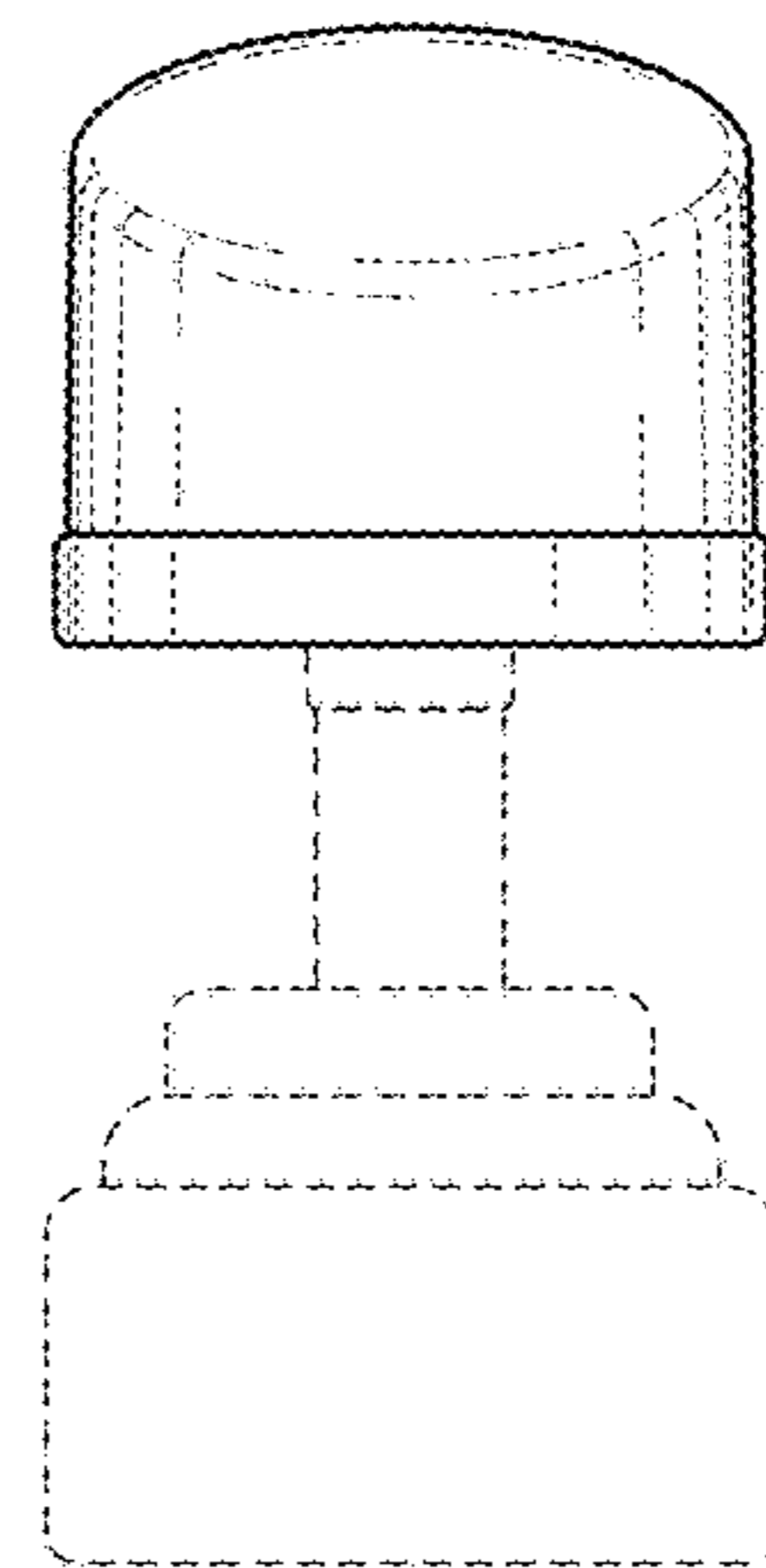


Fig.12

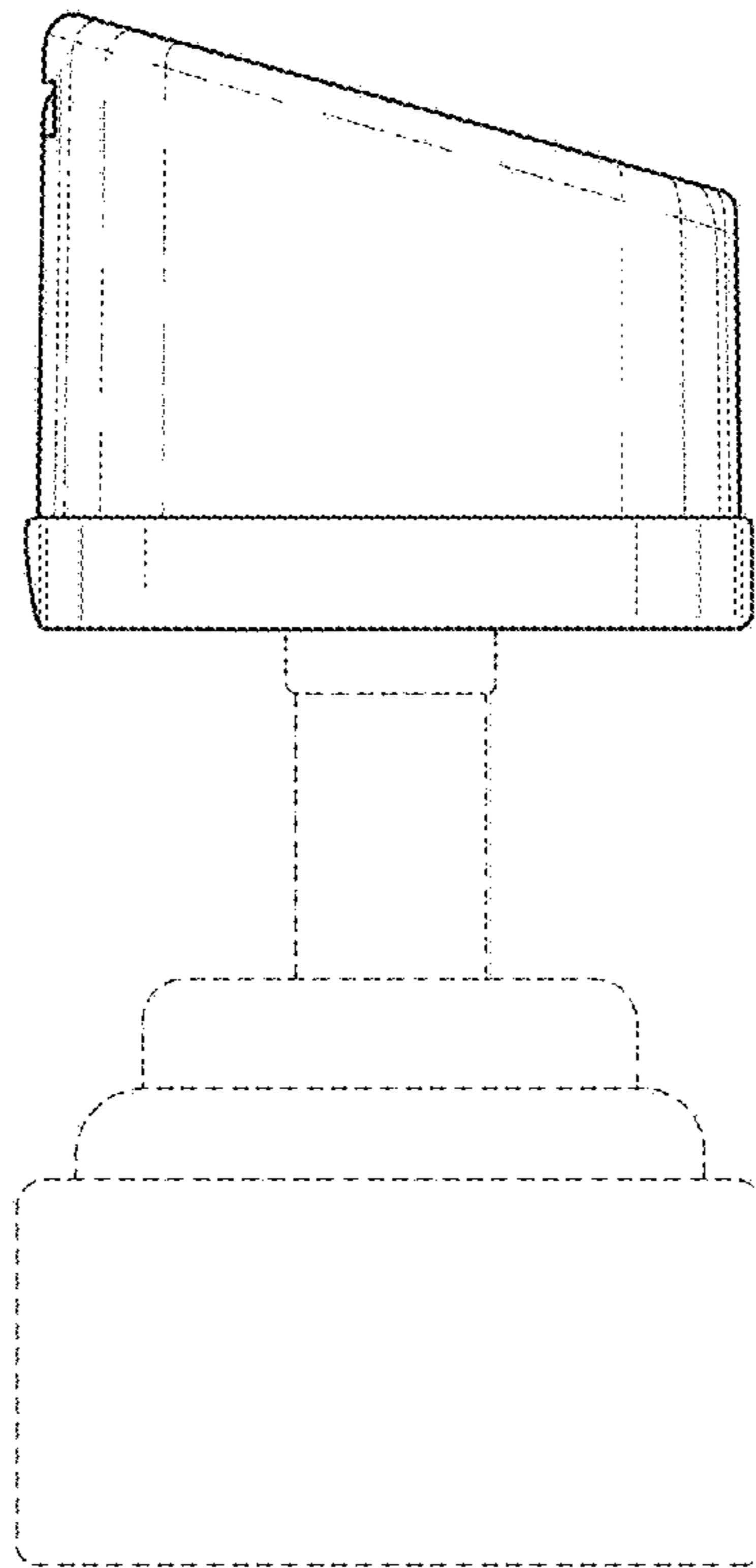


Fig.13

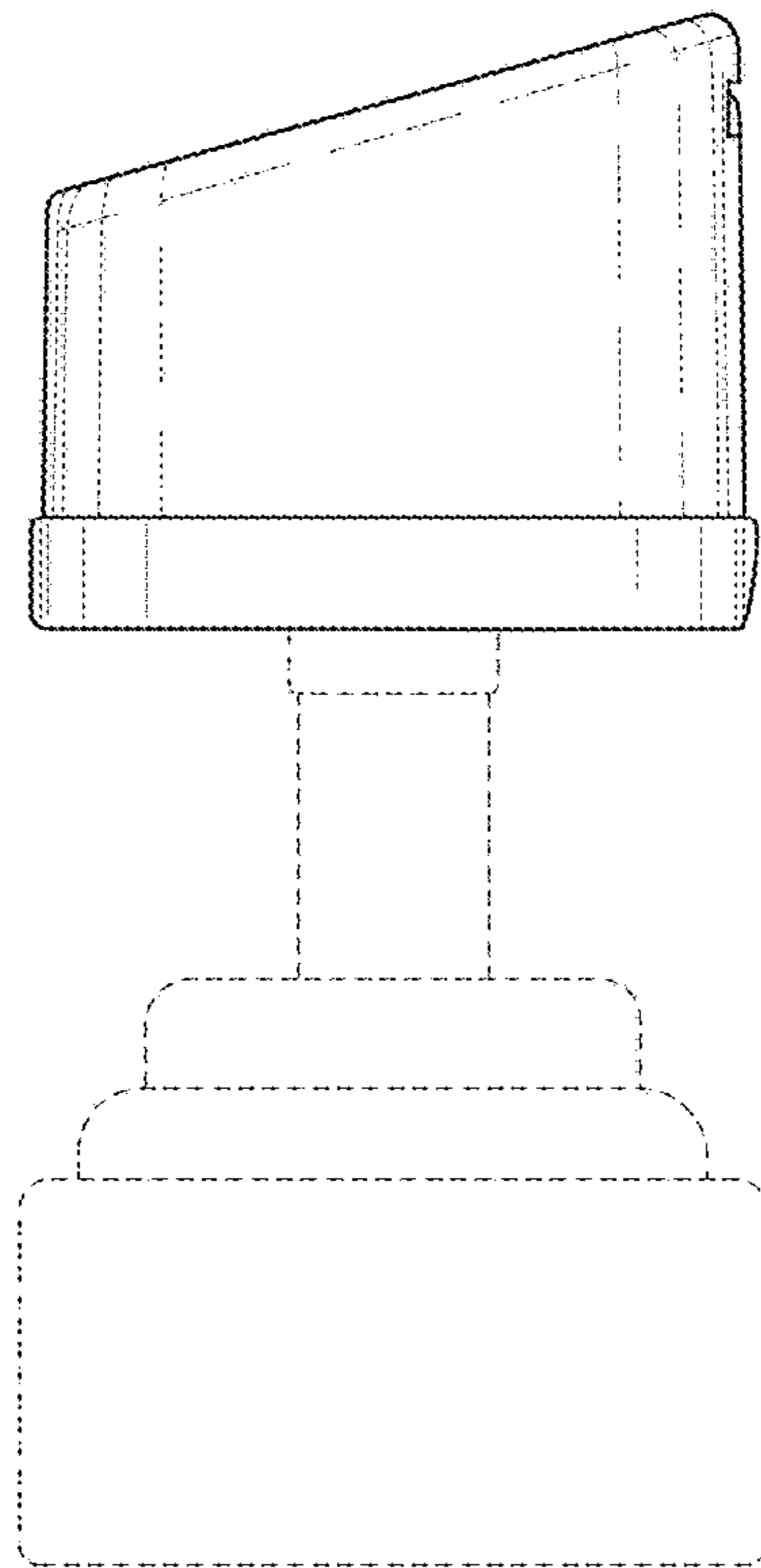


Fig.14

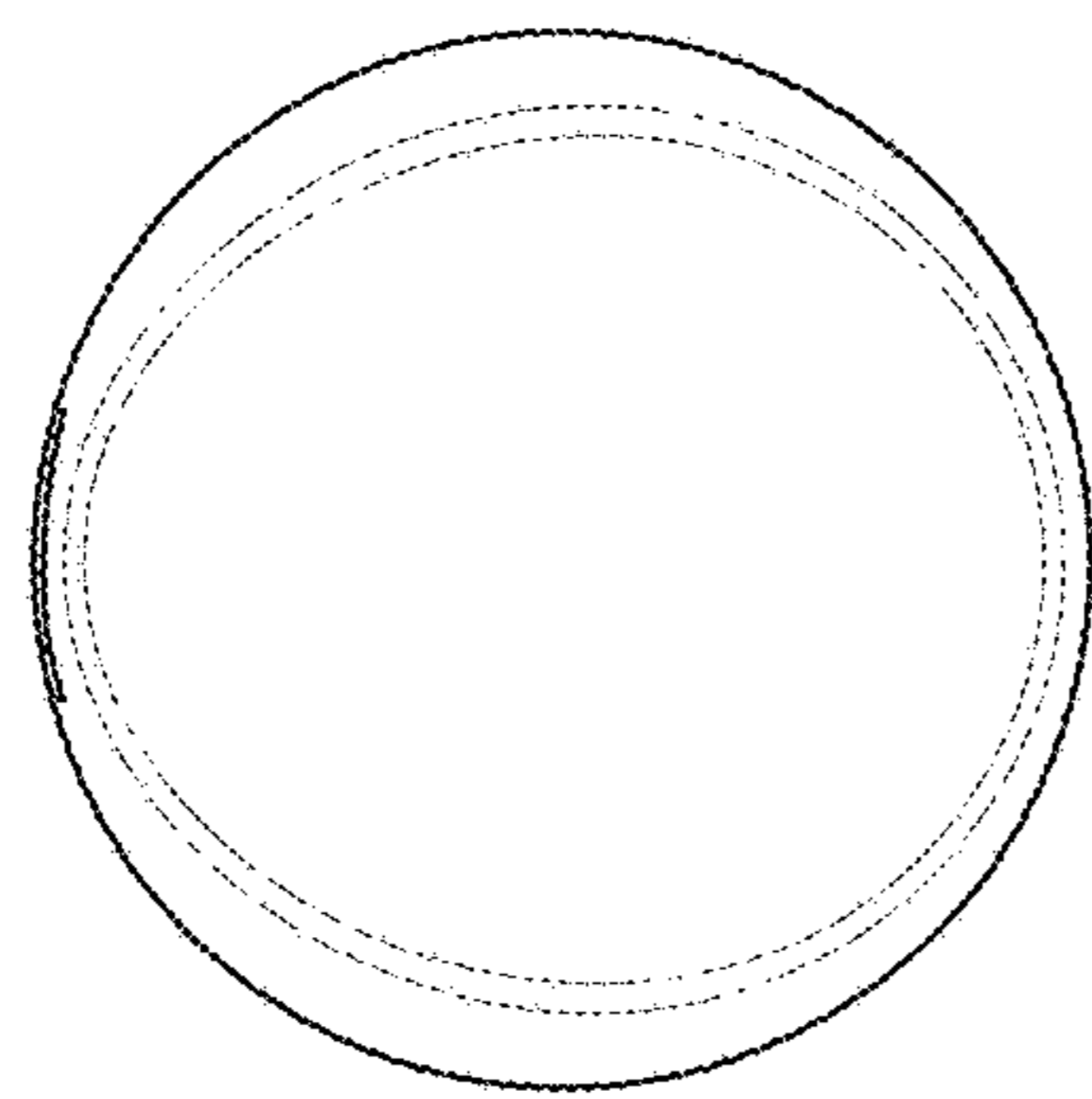


Fig. 15

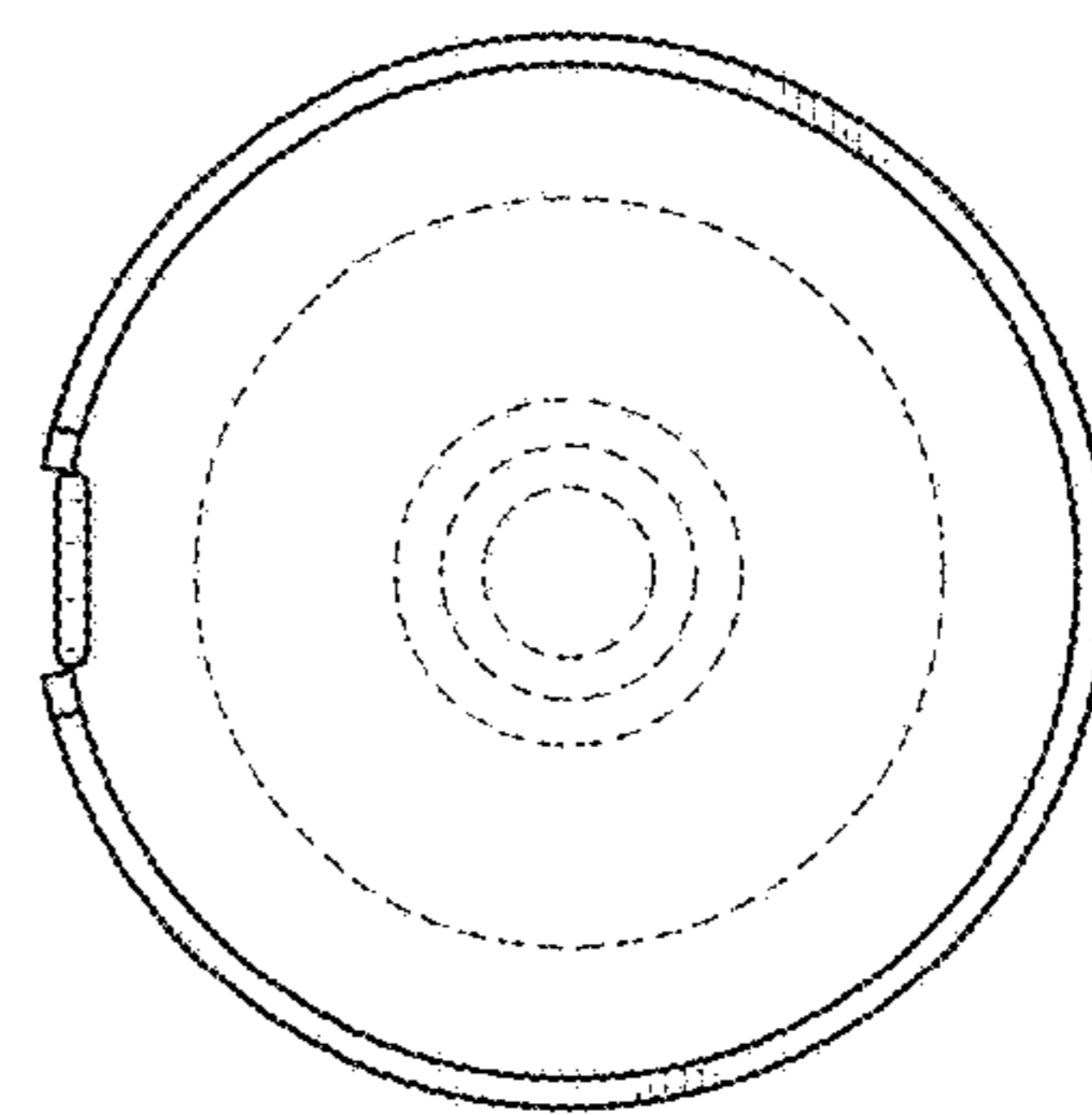


Fig.16