



US00D852626S

(12) **United States Design Patent**
Savenok

(10) **Patent No.:** **US D852,626 S**

(45) **Date of Patent:** **** Jul. 2, 2019**

(54) **RE-CLOSABLE LID**

(71) Applicant: **Pavel Savenok**, Wheaton, IL (US)

(72) Inventor: **Pavel Savenok**, Wheaton, IL (US)

(**) Term: **15 Years**

(21) Appl. No.: **29/615,341**

(22) Filed: **Aug. 28, 2017**

(51) **LOC (11) Cl.** **09-07**

(52) **U.S. Cl.**
USPC **D9/449**; D7/392.1

(58) **Field of Classification Search**
USPC D7/387, 392, 392.1, 396.1, 396.2, 316,
D7/397, 510, 511; D9/436, 440, 443,
(Continued)

(56) **References Cited**

U.S. PATENT DOCUMENTS

D467,500 S * 12/2002 Cudmore D9/435
D476,566 S * 7/2003 Smith D9/447
(Continued)

OTHER PUBLICATIONS

Word Press. Reclosable Cans and the Can End as Marketing Tool by Anton Steeman. Oct. 26, 2012 [earliest online date], [site visited Sep. 13, 2018]. Available from Internet, <URL:https://bestinpackaging.com/2012/10/26/reclosable-cans-and-the-can-end-as-marketing-tool/>. (Year: 2012).*

Primary Examiner — George D. Kirschbaum

Assistant Examiner — Darcey E Heflin

(74) *Attorney, Agent, or Firm* — Christopher J. Scott

(57) **CLAIM**

The ornamental design for the re-closable lid, as shown and described.

DESCRIPTION

FIG. 1 is a first top perspective view of a re-closable lid in a first condition of use.

FIG. 2 is a top plan view of the re-closable lid in the first condition of use.

FIG. 3 is a second top perspective view of the re-closable lid in the first condition of use.

FIG. 4 is a third top perspective view of the re-closable lid in the first condition of use.

FIG. 5 is a first top perspective view of the re-closable lid in a second condition of use.

FIG. 6 is a second top perspective view of the re-closable lid in the second condition of use.

FIG. 7 is a top plan view of the re-closable lid in the second condition of use.

FIG. 8 is a bottom perspective view of the re-closable lid.

FIG. 9 is a bottom plan view of the re-closable lid.

FIG. 10 is a first side elevational view of the re-closable lid.

FIG. 11 is a posterior elevational view of the re-closable lid.

FIG. 12 is an anterior elevational view of the re-closable lid.

FIG. 13 is a second side elevational view of the re-closable lid.

FIG. 14 is a top perspective view of an Insert Structure removed from the re-closable lid.

FIG. 15 is a top plan view of the Insert Structure removed from the re-closable lid.

FIG. 16 is a bottom plan view of the Insert Structure removed from the re-closable lid.

FIG. 17 is a first edge view of the Insert Structure removed from the re-closable lid.

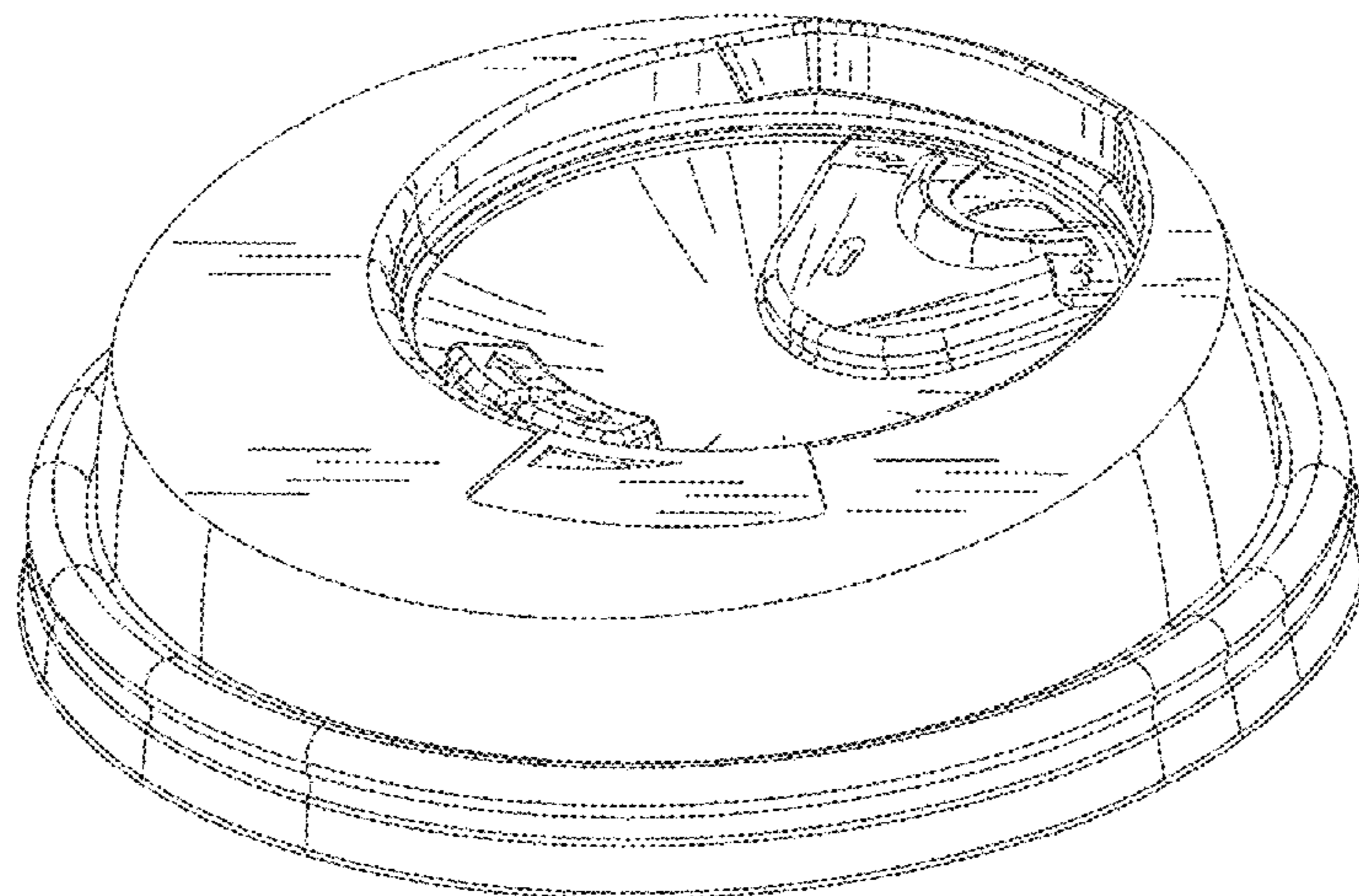
FIG. 18 is a second edge view of the Insert Structure removed from the re-closable lid.

FIG. 19 is a third edge view of the Insert Structure removed from the re-closable lid; and,

FIG. 20 is a fourth edge view of the Insert Structure removed from the re-closable lid.

In the drawings, the broken lines show portions of a re-closable lid that form no part of the claim.

1 Claim, 15 Drawing Sheets



(58) **Field of Classification Search**

USPC D9/447, 449, 454, 434, 435, 499,
D9/437-439, 450; D23/390
CPC A47G 19/16; A47G 19/22; A47G 19/2272;
B65D 43/0204; B65D 43/06; B65D
51/005

See application file for complete search history.

(56) **References Cited**

U.S. PATENT DOCUMENTS

D514,444 S *	2/2006	Smith	D9/447
7,246,715 B2 *	7/2007	Smith	B65D 43/0212 220/253
D565,406 S *	4/2008	Foskett	D9/438
D587,999 S *	3/2009	Schulthess	D9/434
D675,873 S *	2/2013	Miller	D7/510
D792,738 S *	7/2017	Savenok	D7/392.1
9,908,667 B1 *	3/2018	Smith	A47G 19/2272
D816,495 S *	5/2018	Chou	D9/447
D822,484 S *	7/2018	D'Amato	D9/447
2017/0071379 A1 *	3/2017	Savenok	A47G 19/2272

* cited by examiner

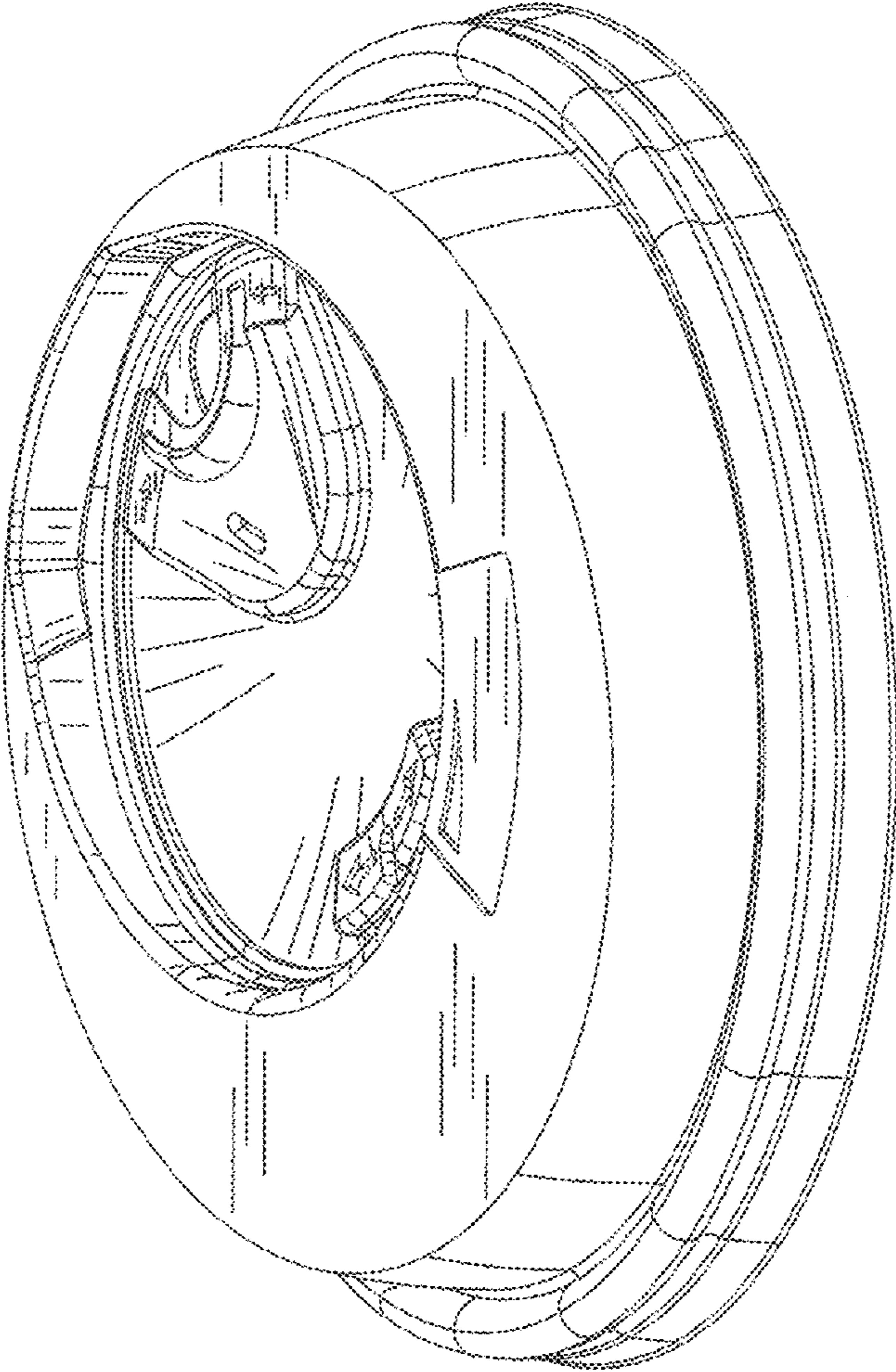


FIG. 1

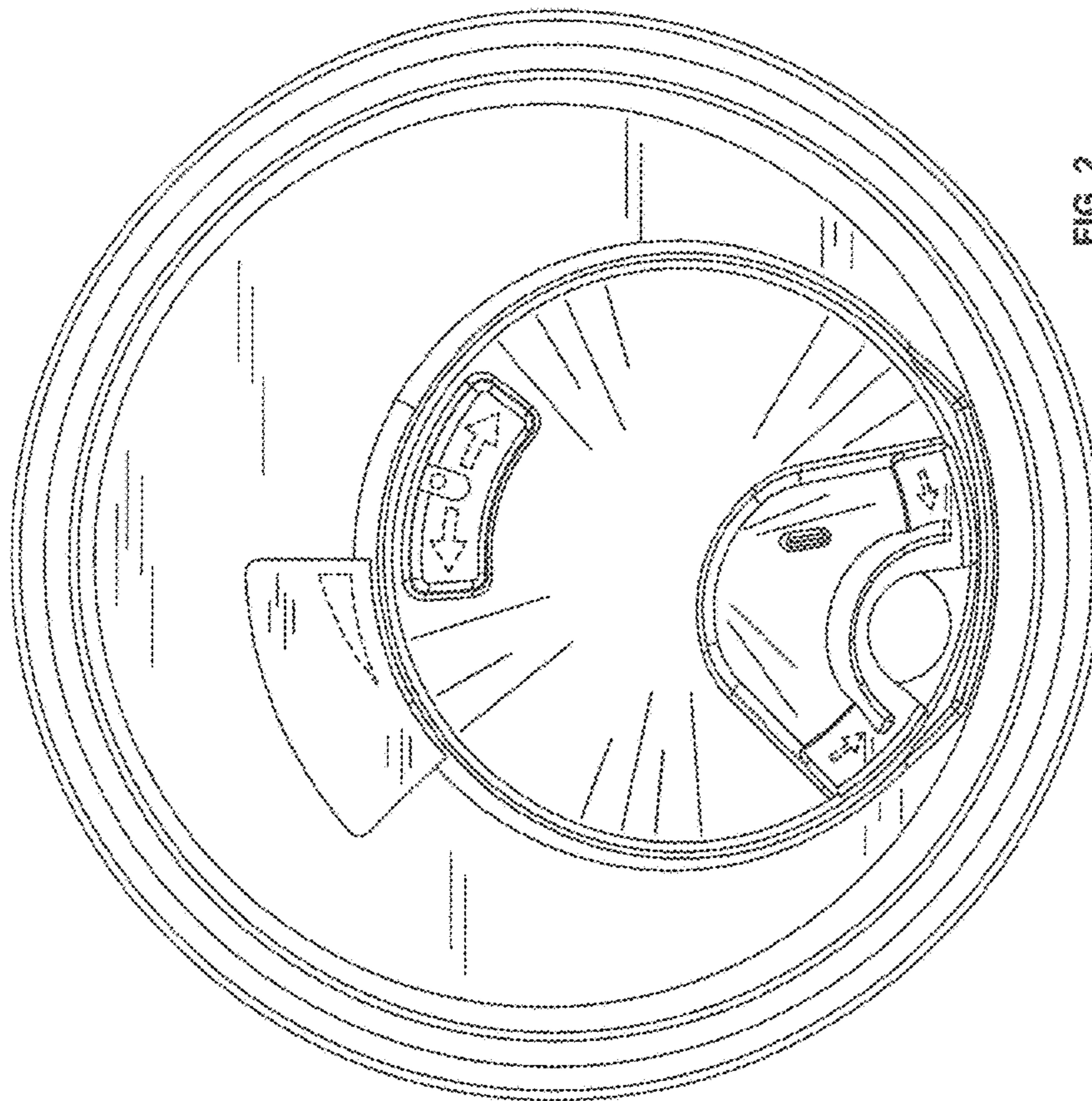


FIG. 2

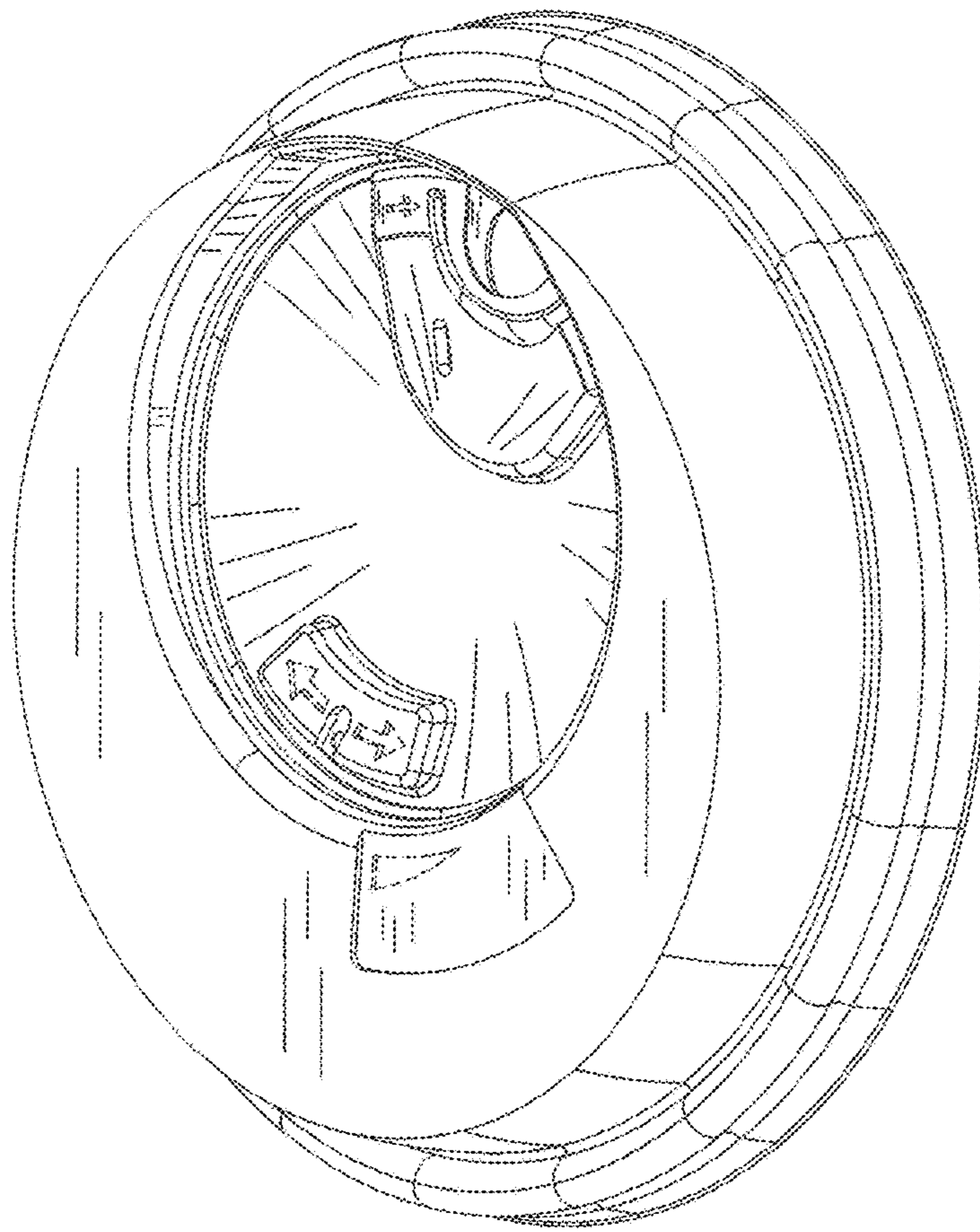


FIG. 3

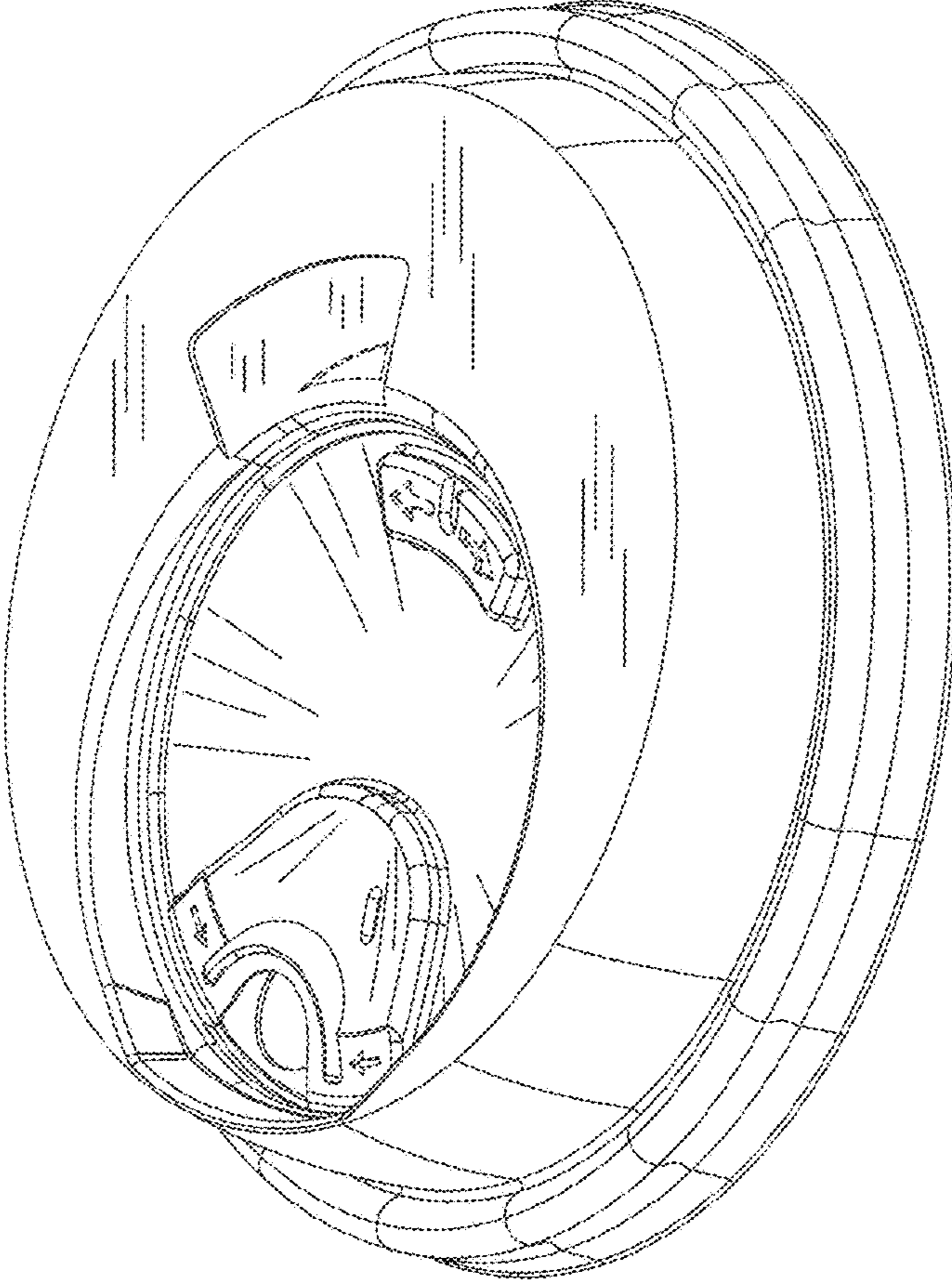


FIG. 4

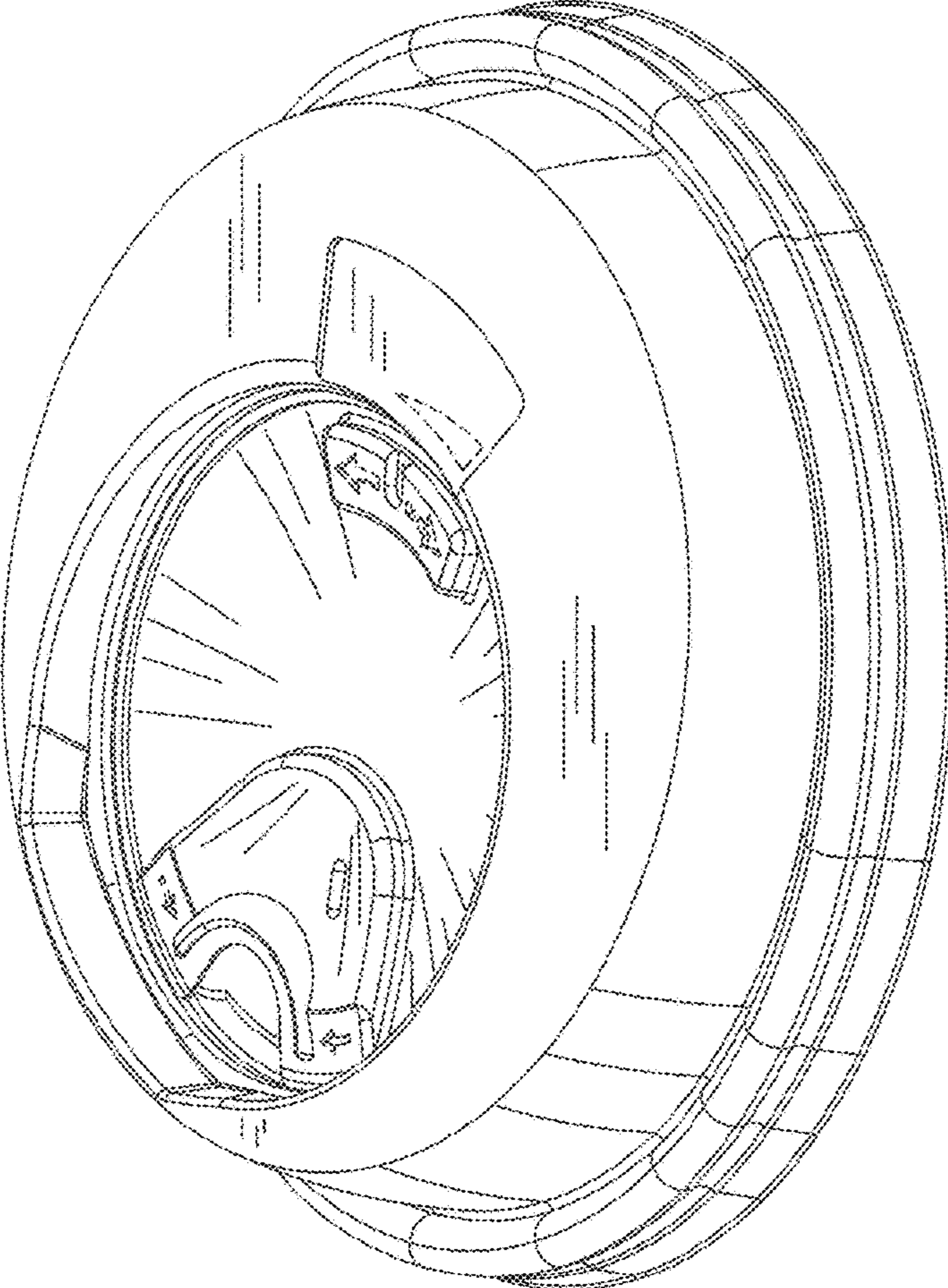


FIG. 5

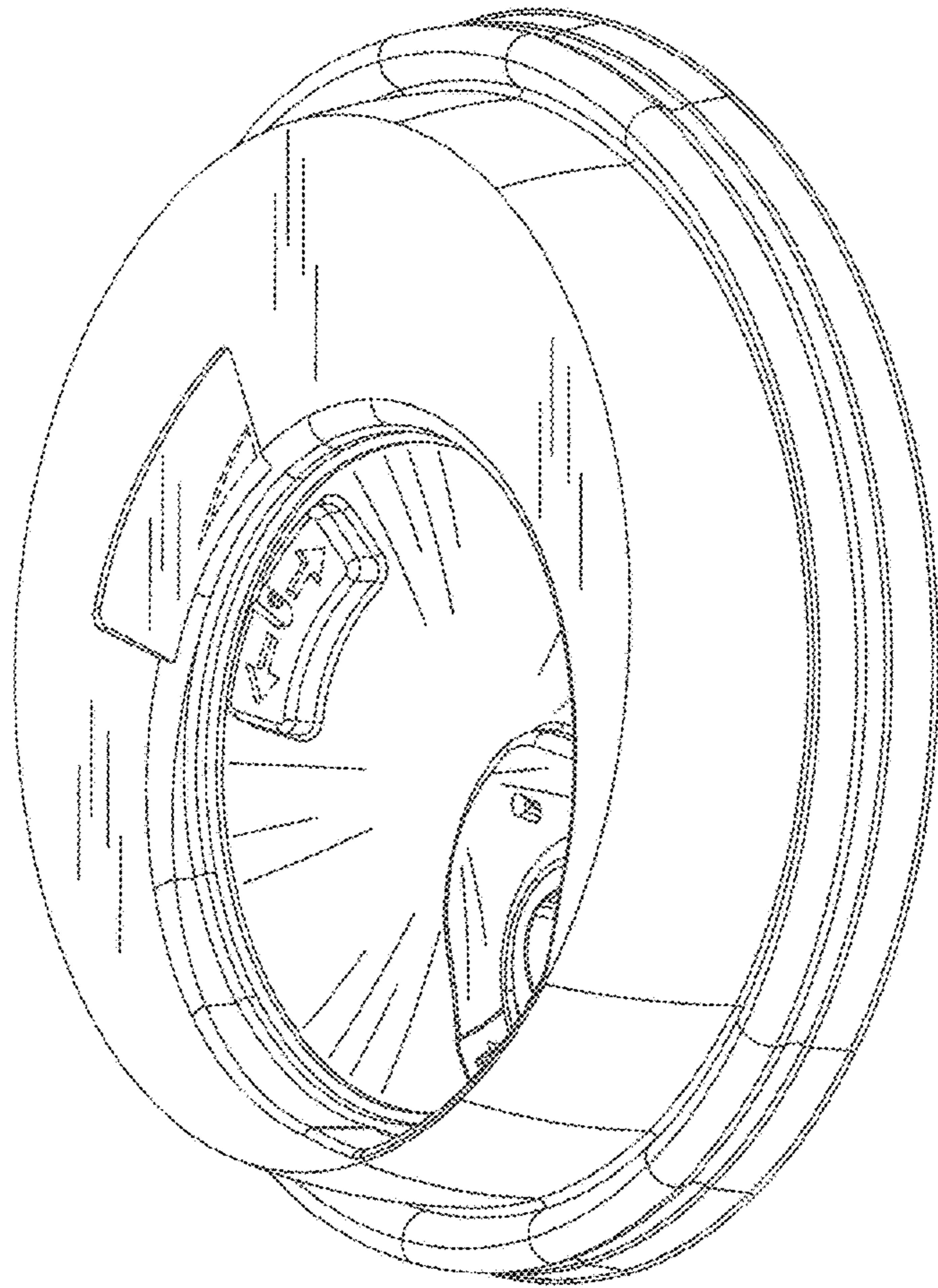


FIG. 6

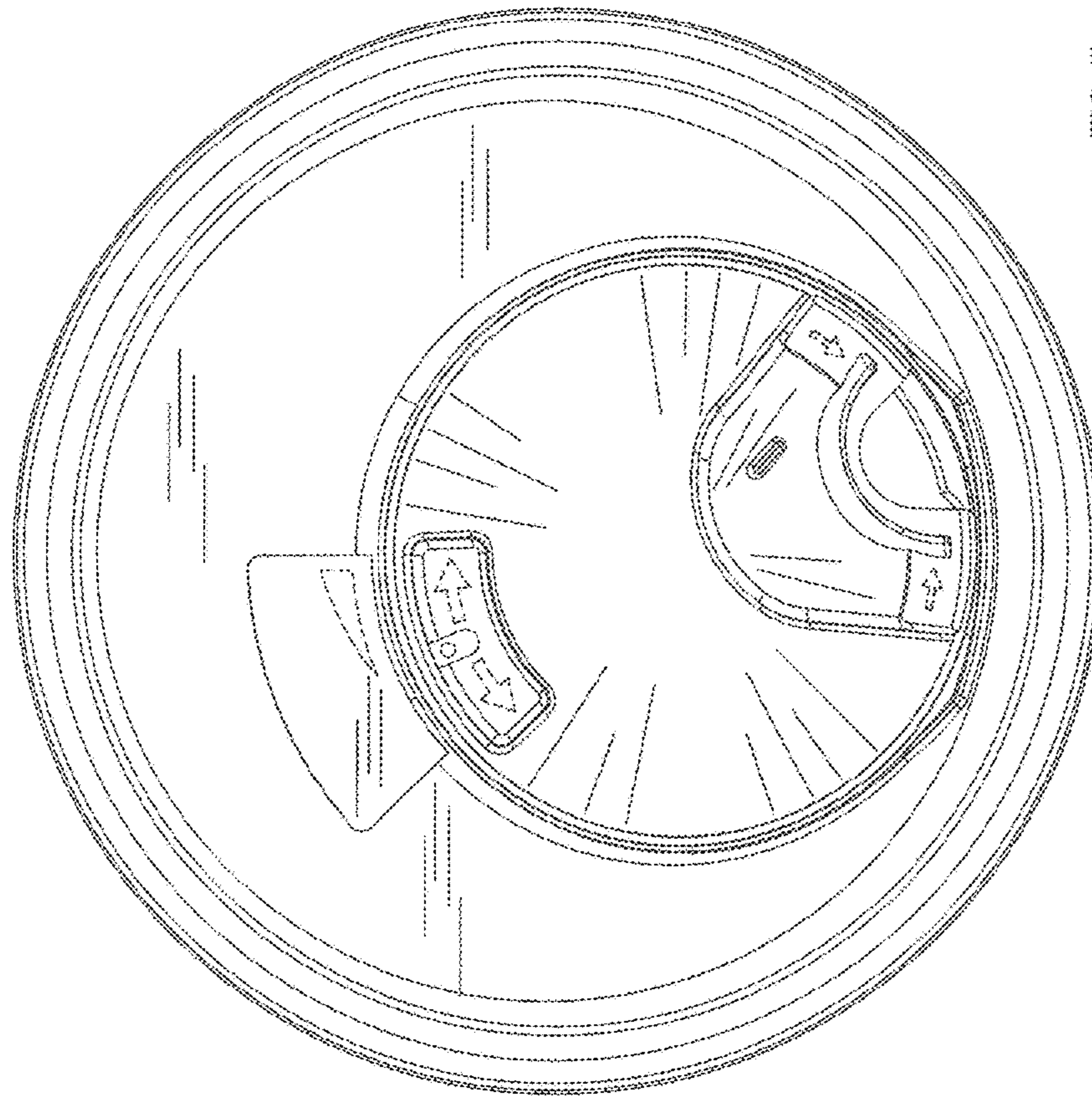


FIG. 7

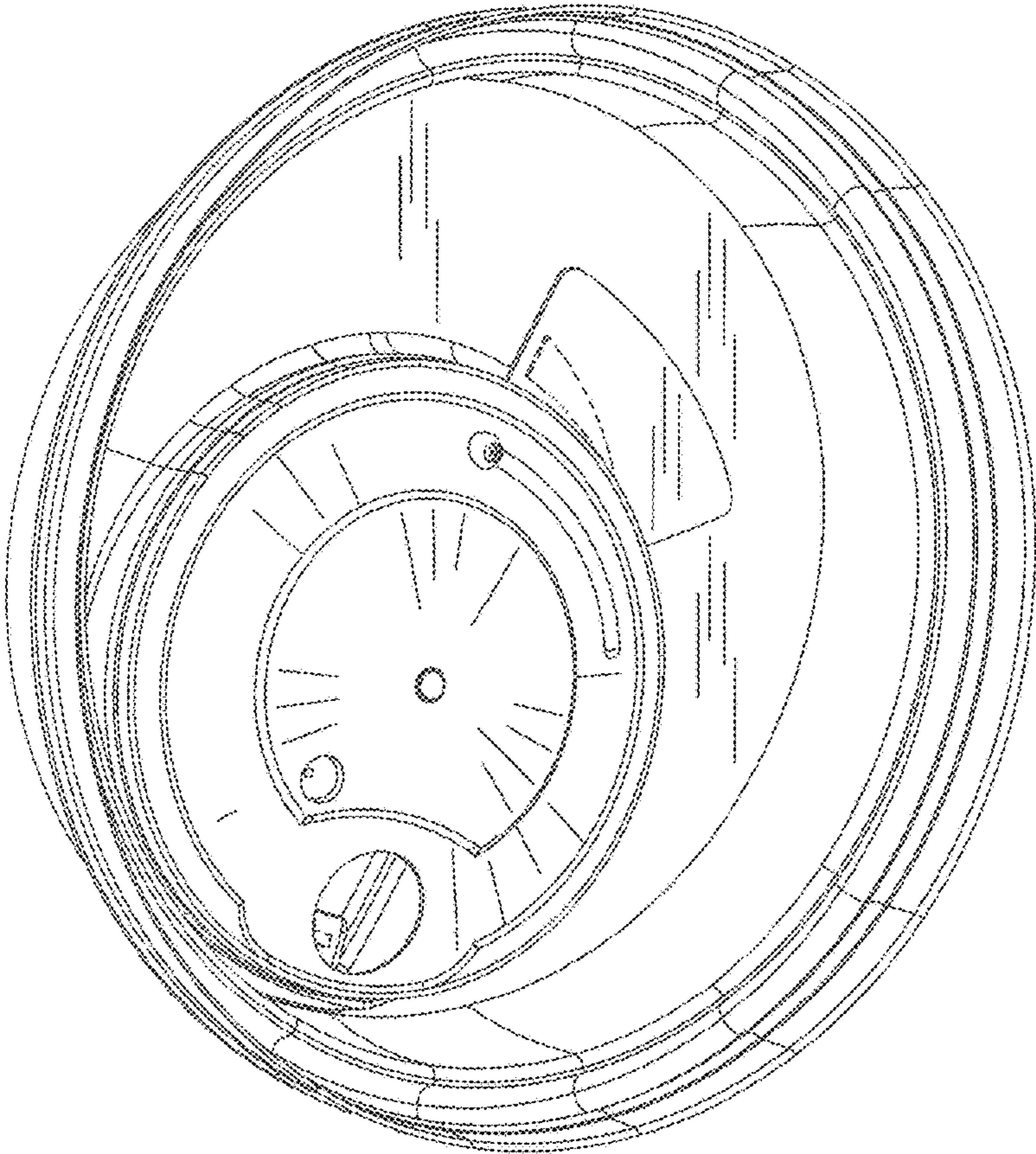


FIG. 8

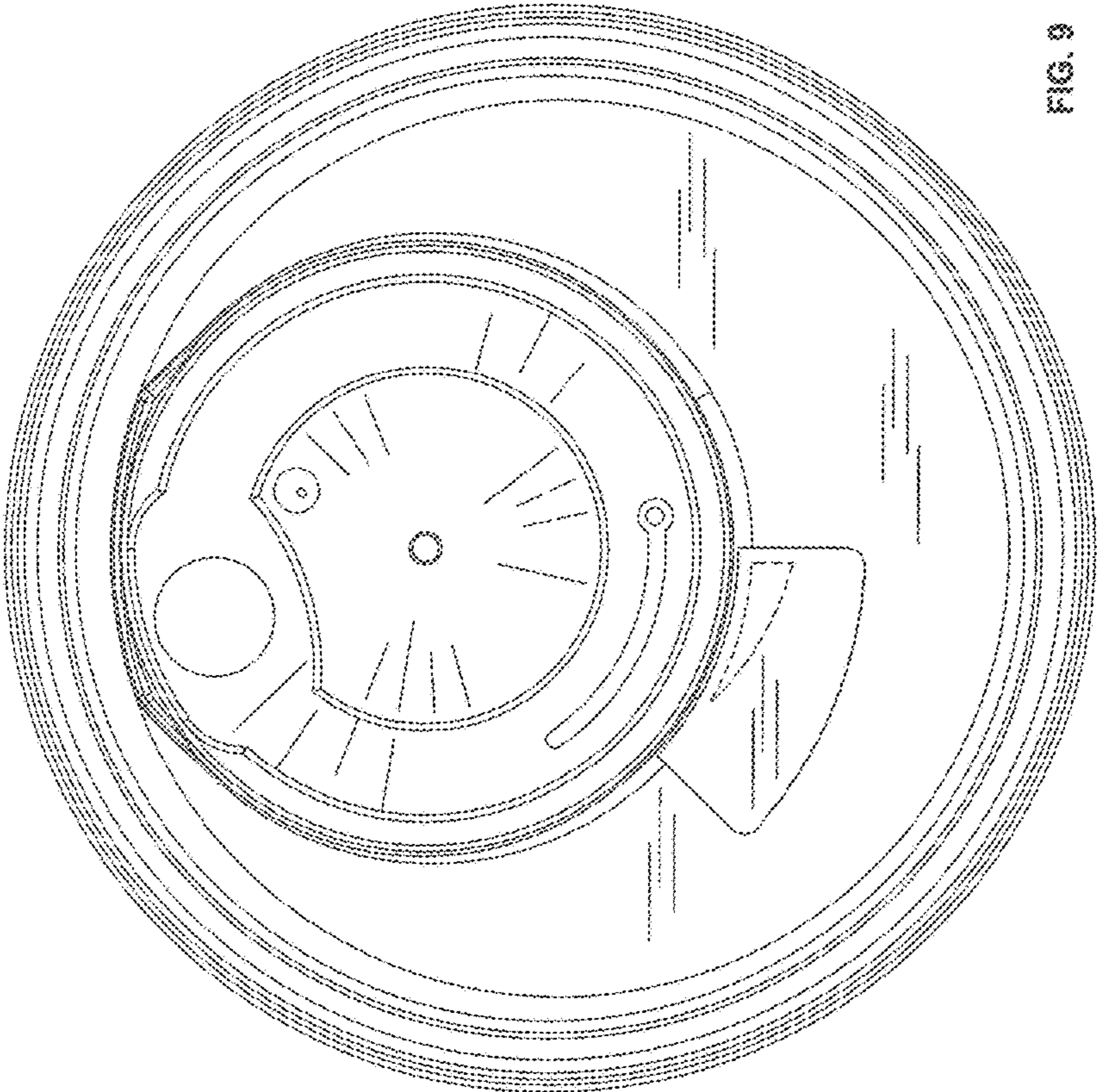


FIG. 9

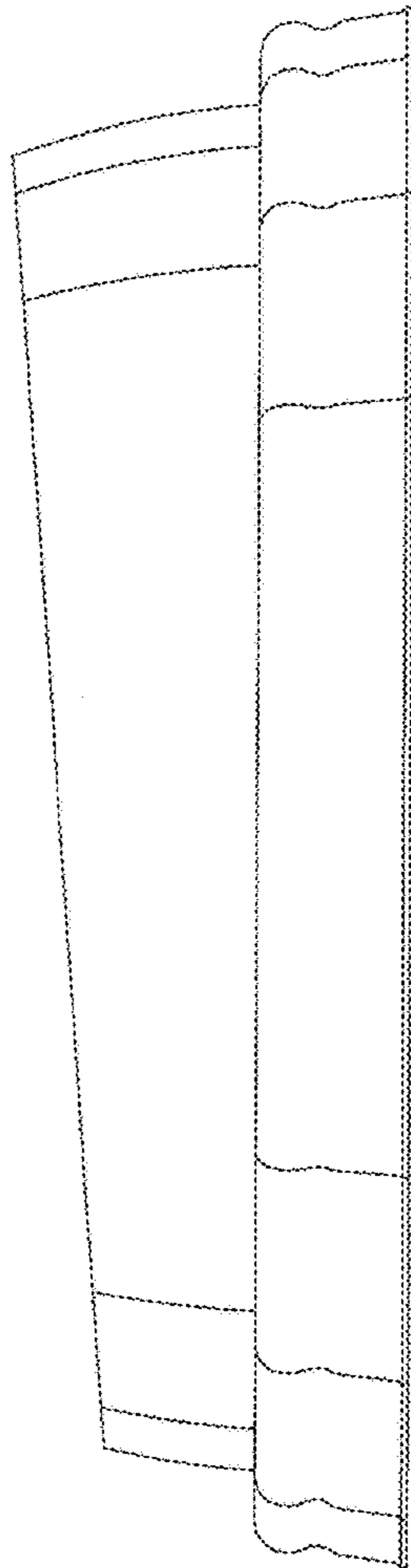


FIG. 10

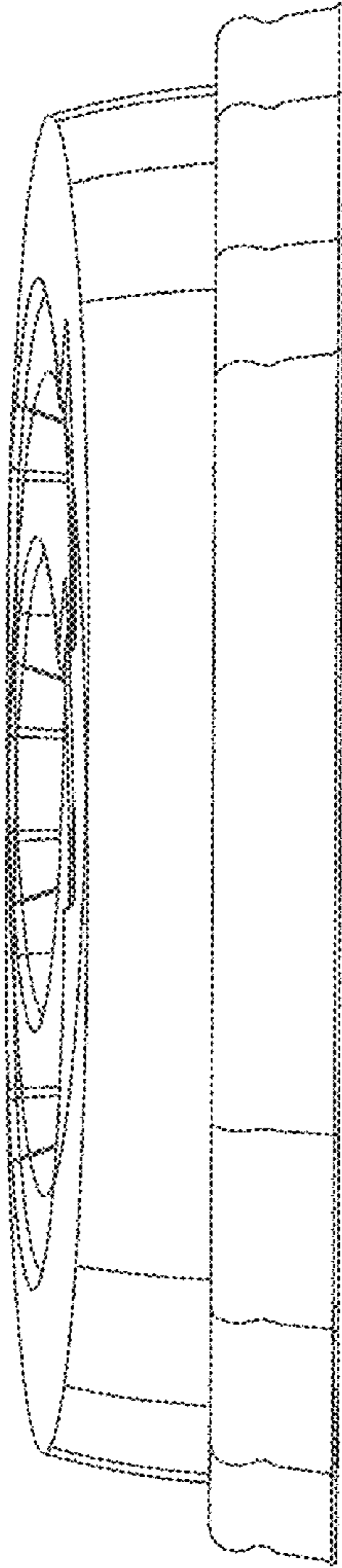


FIG. 11

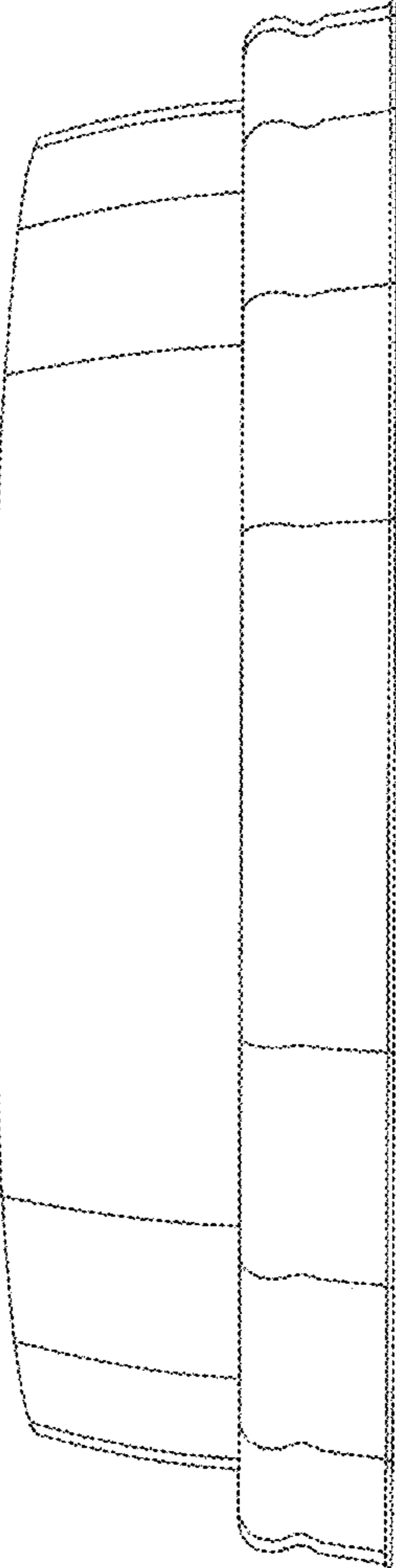


FIG. 12

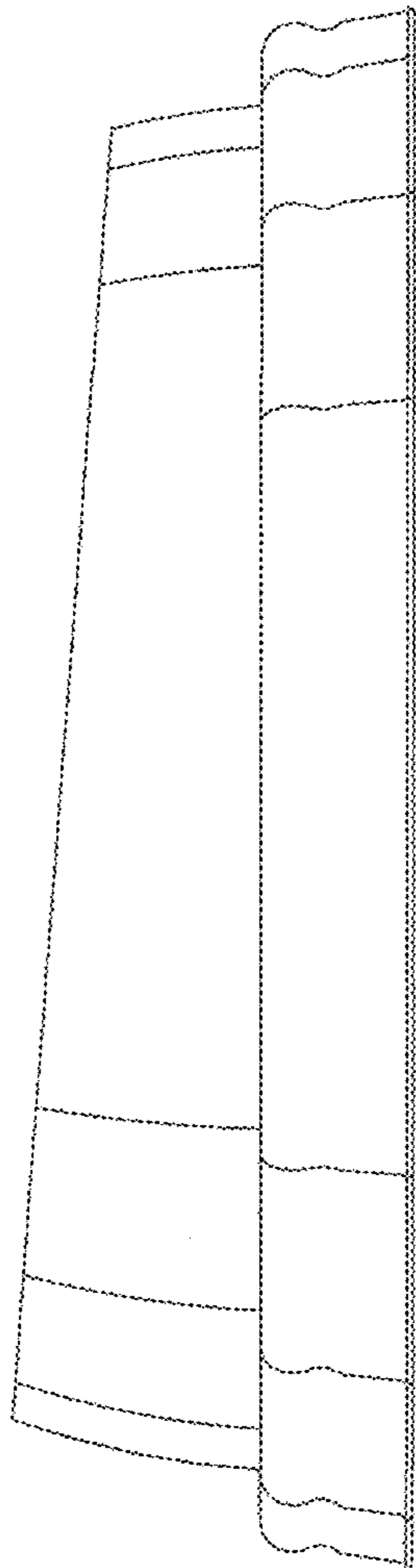


FIG. 13

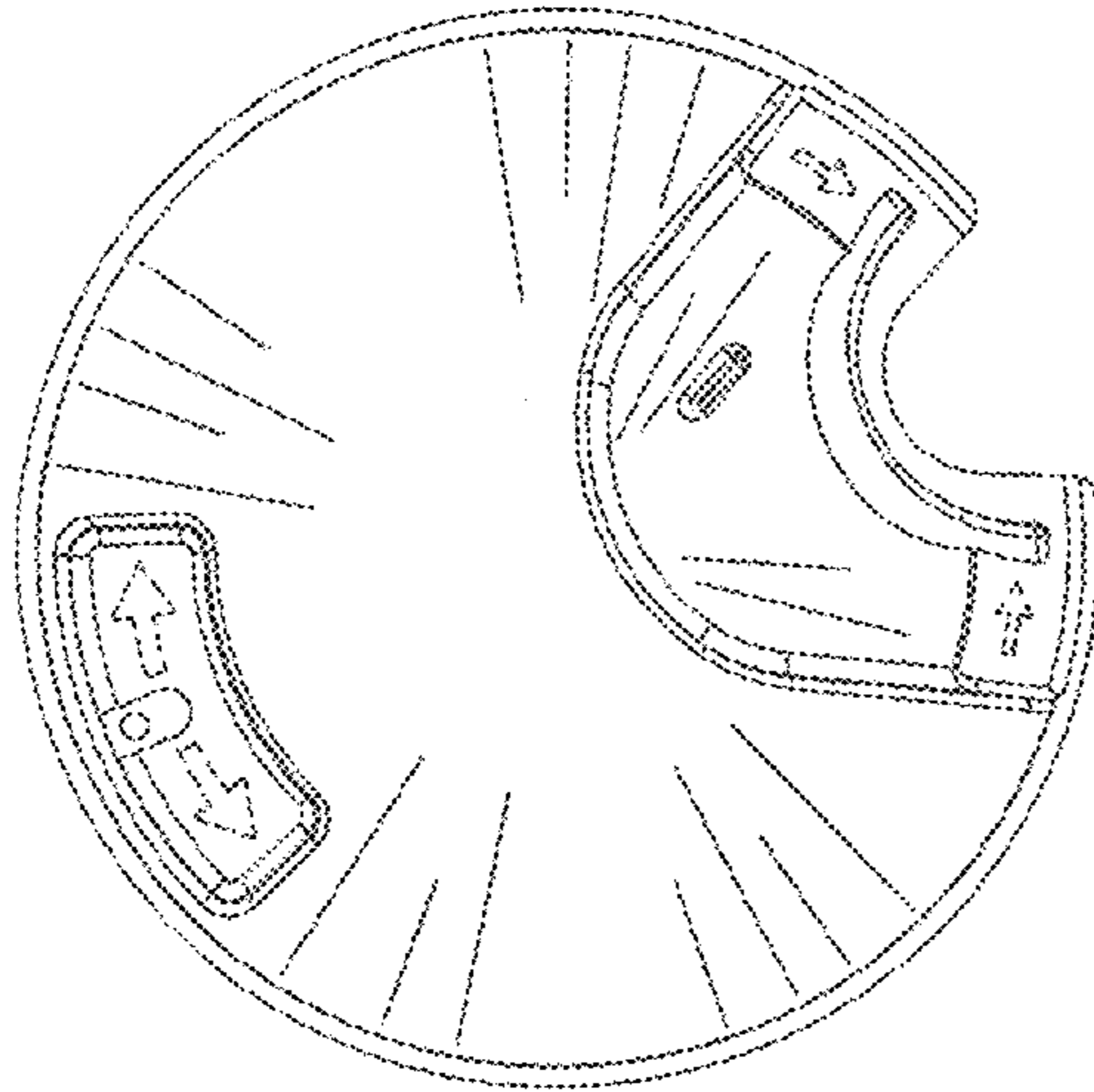


FIG. 15

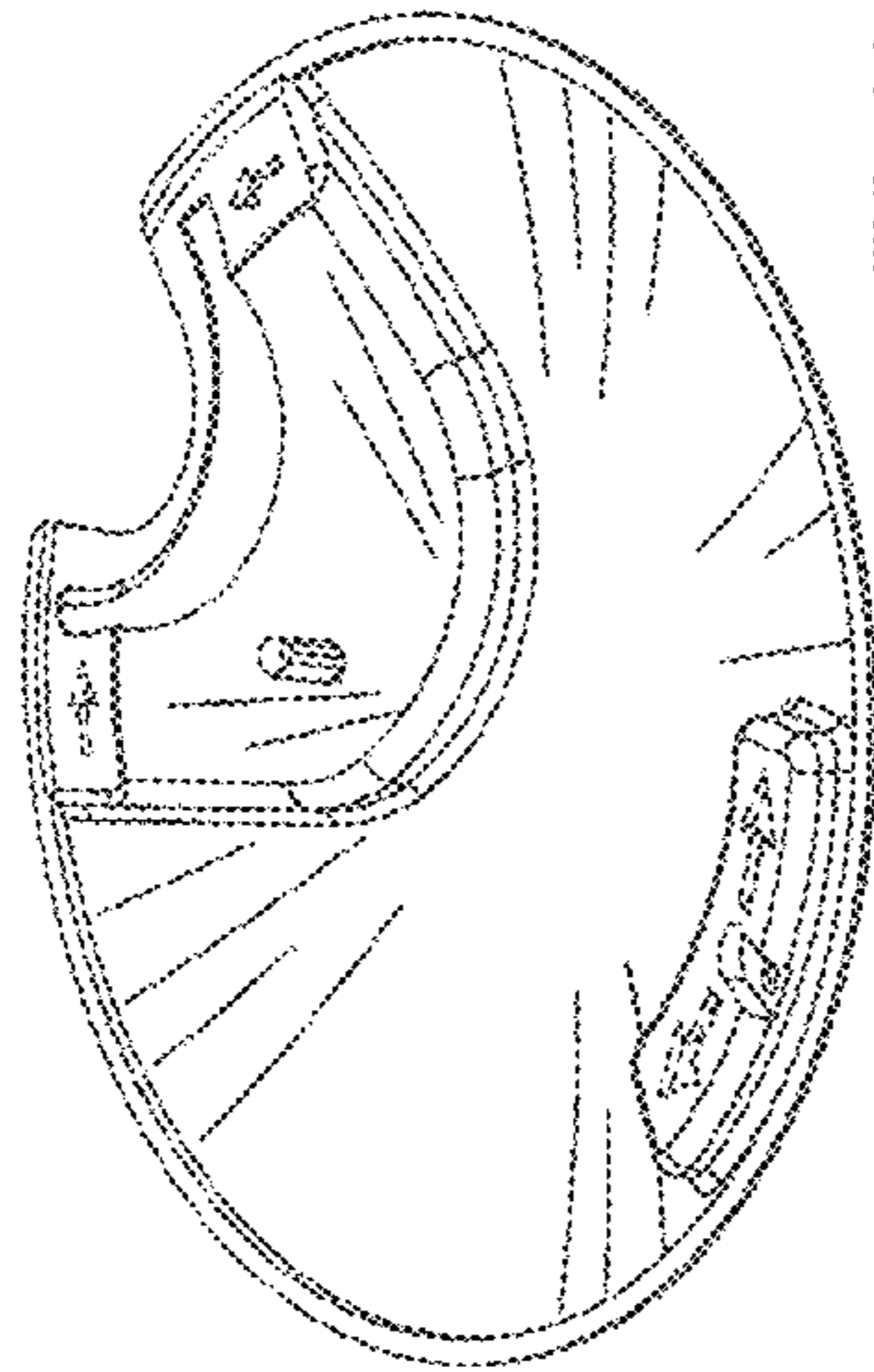


FIG. 14

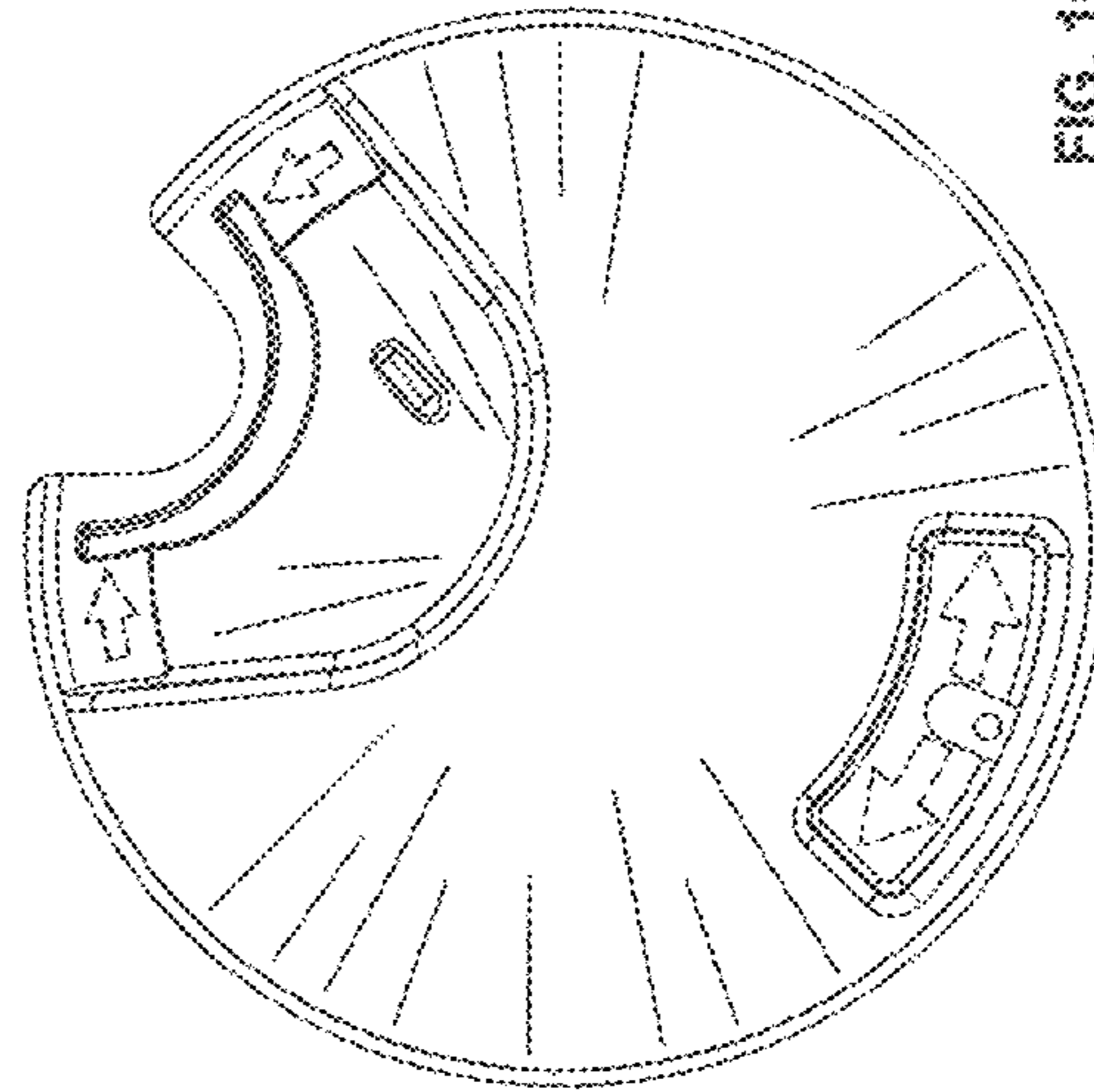


FIG. 16

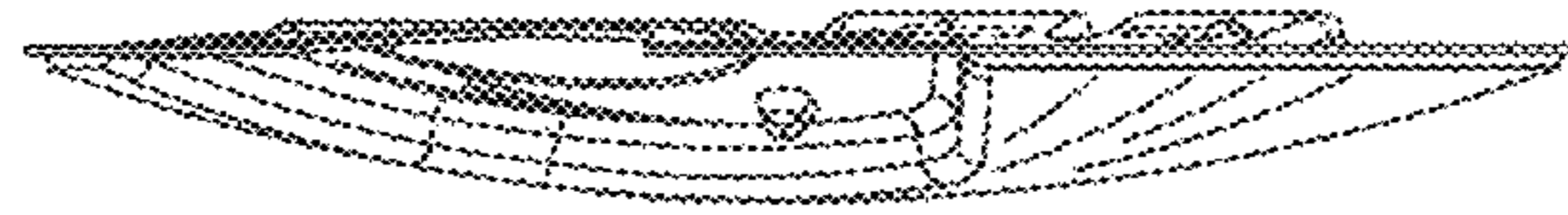


FIG. 17

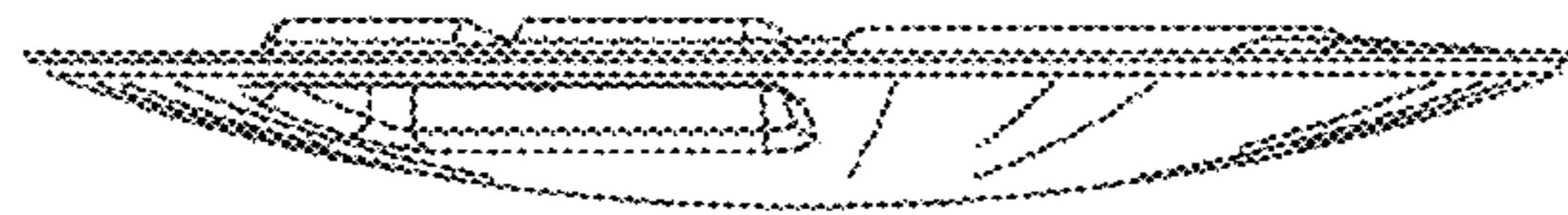


FIG. 18

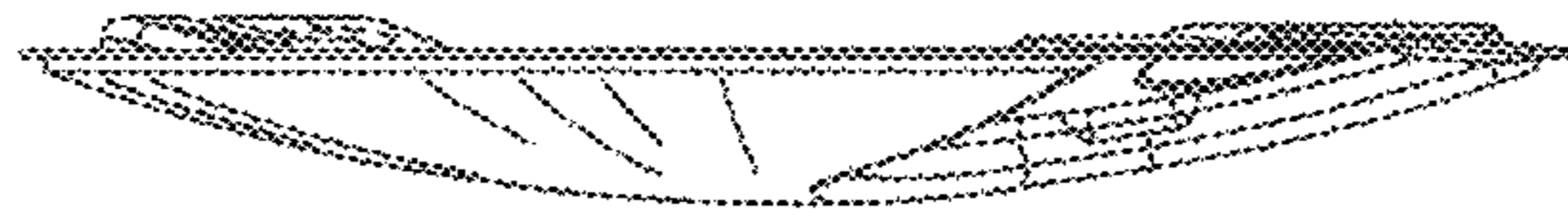


FIG. 19

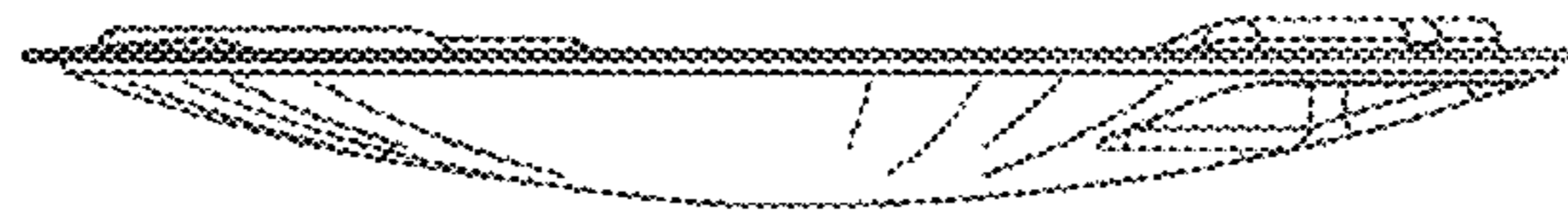


FIG. 20