



US00D852625S

(12) **United States Design Patent** (10) **Patent No.:** **US D852,625 S**
Meyers (45) **Date of Patent:** **** Jul. 2, 2019**

(54) **MOUTHPIECE**

D462,009 S 8/2002 Poisson et al.
7,124,917 B2 10/2006 Lee
D547,605 S 7/2007 Edelstein et al.
(Continued)

(71) Applicant: **Runway Blue, LLC**, Alpine, UT (US)

(72) Inventor: **David O. Meyers**, East Layton, UT (US)

(73) Assignee: **Runway Blue, LLC**, Alpine, UT (US)

(**) Term: **15 Years**

(21) Appl. No.: **29/634,621**

(22) Filed: **Jan. 23, 2018**

OTHER PUBLICATIONS

Design U.S. Appl. No. 29/580,624, filed Oct. 11, 2016, titled "Mouthpiece", 20 pages.

(Continued)

Primary Examiner — George D. Kirschbaum

Assistant Examiner — Darcey E Heflin

(74) *Attorney, Agent, or Firm* — Maschoff Brennan; Paul G. Johnson

Related U.S. Application Data

(62) Division of application No. 29/580,624, filed on Oct. 11, 2016.

(51) **LOC (11) Cl.** **09-07**

(52) **U.S. Cl.**
USPC **D9/447**; D7/392.1

(58) **Field of Classification Search**
USPC D7/387, 392, 392.1, 396.1, 396.2, 316, D7/397, 510, 511; D9/434, 435, 499, D9/454, 436, 440, 443, 447, 449, D9/437-439, 450; D23/390
CPC A47G 19/16; A47G 19/22; A47G 19/2272; B65D 43/0204; B65D 43/06; B65D 51/005; B65D 47/2037
See application file for complete search history.

(56) **References Cited**

U.S. PATENT DOCUMENTS

2,573,378 A 10/1951 Zurlinden
3,770,160 A 11/1973 Flider
4,948,009 A 8/1990 Sawatani
5,318,203 A 6/1994 Iaia et al.
D437,223 S 2/2001 Coy et al.
D441,288 S * 5/2001 Pillers D7/392.1

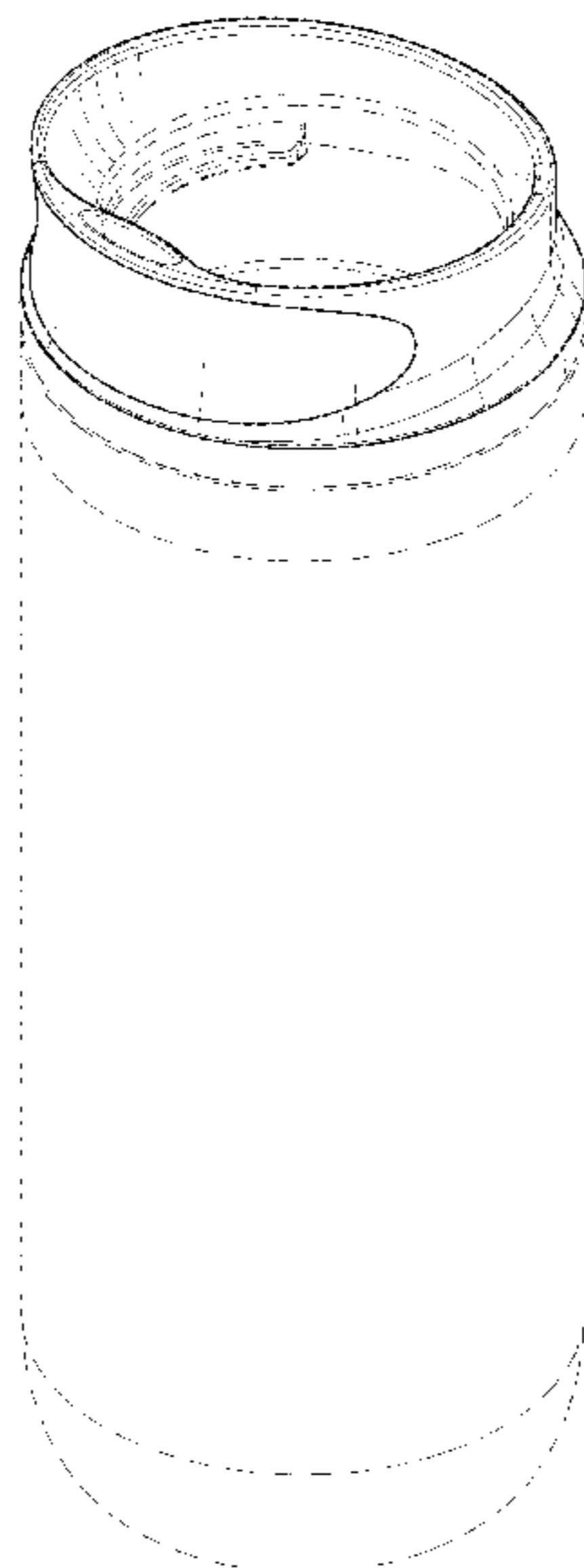
(57) **CLAIM**

The ornamental design for a mouthpiece, as shown and described.

DESCRIPTION

FIG. 1 is a top perspective view of a mouthpiece, illustrating the mouthpiece attached to an exemplifying bottle;
FIG. 2 is a top front perspective view of the mouthpiece shown in FIG. 1;
FIG. 3 is a top rear perspective view of the mouthpiece shown in FIG. 1;
FIG. 4 is a front view of the mouthpiece shown in FIG. 1;
FIG. 5 is a rear view of the mouthpiece shown in FIG. 1;
FIG. 6 is a left side view of the mouthpiece shown in FIG. 1;
FIG. 7 is a right side view of the mouthpiece shown in FIG. 1;
FIG. 8 is a top view of the mouthpiece shown in FIG. 1; and, FIG. 9 is a bottom view of the mouthpiece shown in FIG. 1. The broken lines are shown for the purpose of illustrating environmental structure and parts of the article that form no part of the claimed design.

1 Claim, 9 Drawing Sheets



(56)

References Cited

U.S. PATENT DOCUMENTS

D547,607 S 7/2007 Forsman
 D562,065 S 2/2008 Smaldone
 D586,184 S 2/2009 Miller et al.
 D591,595 S 5/2009 Tedford, Jr.
 D624,356 S * 9/2010 Davies D7/392.1
 D626,837 S 11/2010 Meyers et al.
 D626,838 S 11/2010 Meyers et al.
 D649,878 S 12/2011 Weiss
 D649,879 S 12/2011 Gullickson et al.
 D652,256 S 1/2012 Eyal
 8,146,770 B2 4/2012 Newman
 D660,696 S 5/2012 Weiss
 D666,490 S 9/2012 Leon
 D677,121 S 3/2013 Meyers et al.
 D679,541 S 4/2013 Samartgis
 D682,034 S 5/2013 El-Saden et al.
 D696,551 S 12/2013 Meyers et al.
 D696,941 S 1/2014 Kim
 D696,942 S 1/2014 Kim
 D696,943 S 1/2014 Kim
 D702,086 S * 4/2014 Thurlow D7/510
 D704,053 S 5/2014 Kim
 D705,058 S 5/2014 Kim
 D707,124 S 6/2014 Blain et al.
 8,770,435 B2 * 7/2014 Weiss B65D 43/06
 220/780
 D716,141 S 10/2014 Rush
 D716,657 S 11/2014 Caneer
 D719,780 S 12/2014 Sullivan
 D721,276 S 1/2015 Herbst
 D723,328 S 3/2015 Steel
 D723,332 S 3/2015 Steel
 D727,093 S 4/2015 Lapsker
 D729,569 S 5/2015 Herbst et al.
 D730,694 S 6/2015 Elsaden et al.
 D734,152 S 7/2015 Hager et al.
 D737,139 S 8/2015 Sokoly
 D739,183 S 9/2015 Lane
 D740,605 S 10/2015 Wodka et al.
 D741,637 S 10/2015 Palermo et al.
 D742,230 S 11/2015 Charles
 D745,827 S 12/2015 Sorensen et al.
 D747,136 S 1/2016 Lane et al.
 D754,535 S 4/2016 Kim
 D761,104 S * 7/2016 Buck D9/447
 9,392,893 B2 7/2016 Sorensen et al.
 D768,491 S 10/2016 Sorensen et al.

D770,279 S * 11/2016 Strachan D9/447
 D781,703 S 3/2017 Strachan
 D793,154 S 8/2017 Sorensen et al.
 D795,006 S * 8/2017 Heiberger D7/392.1
 9,790,007 B2 10/2017 Sorensen et al.
 D806,469 S * 1/2018 Palmer D7/392.1
 9,944,435 B2 * 4/2018 Mithal B65D 43/0212
 D819,443 S * 6/2018 Martinez Carregui D9/440
 D822,484 S * 7/2018 D'Amato D9/447
 2002/0179604 A1 12/2002 Germain et al.
 2003/0052126 A1 3/2003 Lettle et al.
 2006/0226110 A1 10/2006 Choi et al.
 2008/0099514 A1 5/2008 Carter et al.
 2008/0257899 A1 10/2008 Whitaker et al.
 2010/0224631 A1 9/2010 Roth et al.
 2011/0017760 A1 1/2011 Newman
 2011/0139800 A1 6/2011 Urban
 2011/0253733 A1 10/2011 Meyers et al.
 2012/0055818 A1 3/2012 Zimmern
 2013/0062304 A1 3/2013 Meyers et al.
 2014/0299614 A1 10/2014 Mithal
 2014/0263324 A1 11/2014 Latham et al.
 2014/0360908 A1 12/2014 Sorensen et al.
 2015/0014322 A1 1/2015 Kim
 2015/0201773 A1 7/2015 Sorensen et al.
 2015/0201774 A1 7/2015 Sorensen et al.
 2015/0201775 A1 7/2015 Sorensen et al.
 2016/0007780 A1 1/2016 Dolan et al.
 2018/0050850 A1 2/2018 Murosky

OTHER PUBLICATIONS

Design U.S. Appl. No. 29/664,154, filed Sep. 21, 2018, titled "Mouthpiece", 11 pages.
 Design U.S. Appl. No. 29/602,291, filed Apr. 28, 2017, titled "Lid and Spout", 34 pages.
 JP Notification of Reasons for Refusal dated Oct. 6, 2017 as received in Design Application No. 2017-007716.
 Beachbody on Demand. 11 Water Bottles We're Lusting After. Apr. 15, 2016 [earliest online date], [site visited Oct. 11, 2017]. Available from Internet, <URL:https://www.beachbodyondemand.com/blog/11-water-bottles-were-lusting-after>. (Year: 2016).
 Amazon. Duo Classic protein Shaker Bottle. Jul. 30, 2014 [earliest online date], [site visited Oct. 11, 2017]. Available from Internet, <URL:https://www.amazon.com/Duo-Classic-Protein-Shaker-Bottle/dp/B00J9XRIEU?th=1>. (Year: 2014).
 Design U.S. Appl. No. 29/580,621, filed Oct. 11, 2016, titled "Mouthpiece", 18 pages.

* cited by examiner

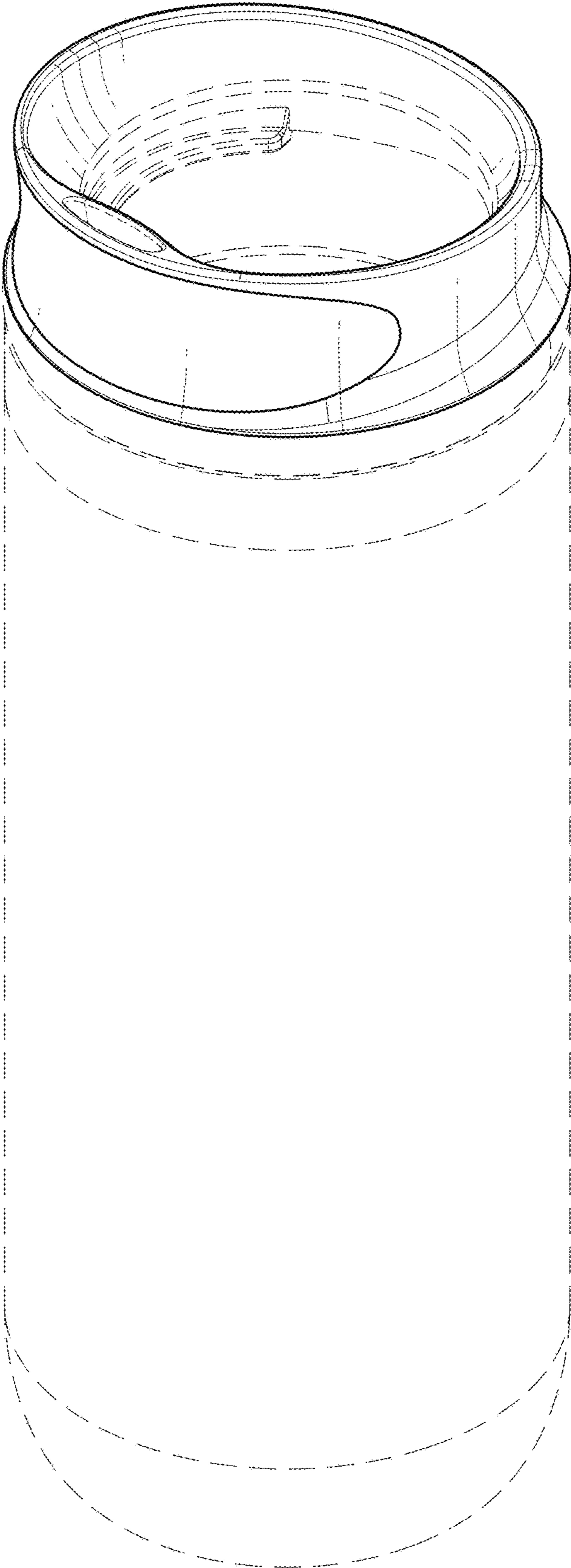


FIG. 1

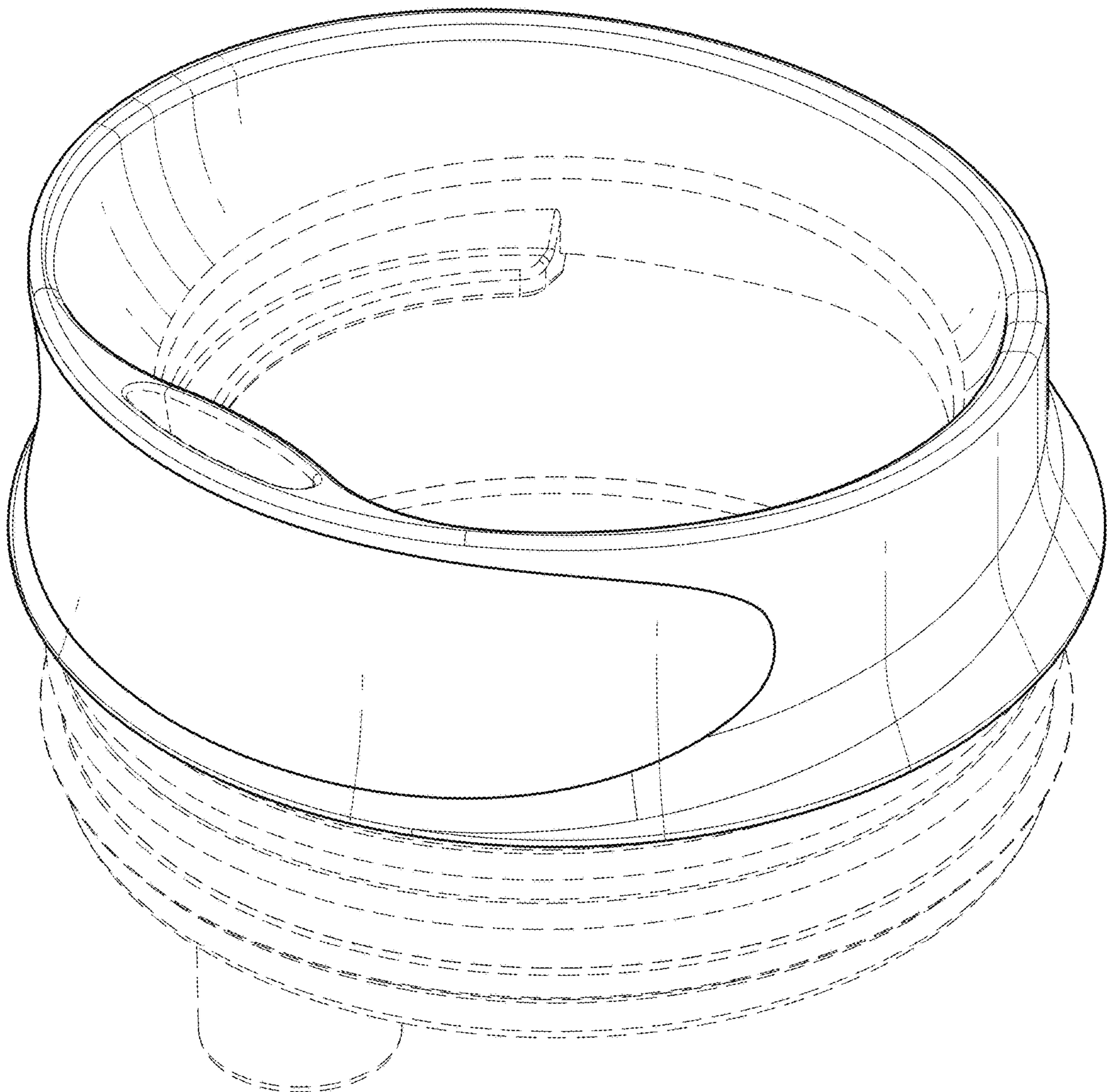


FIG. 2

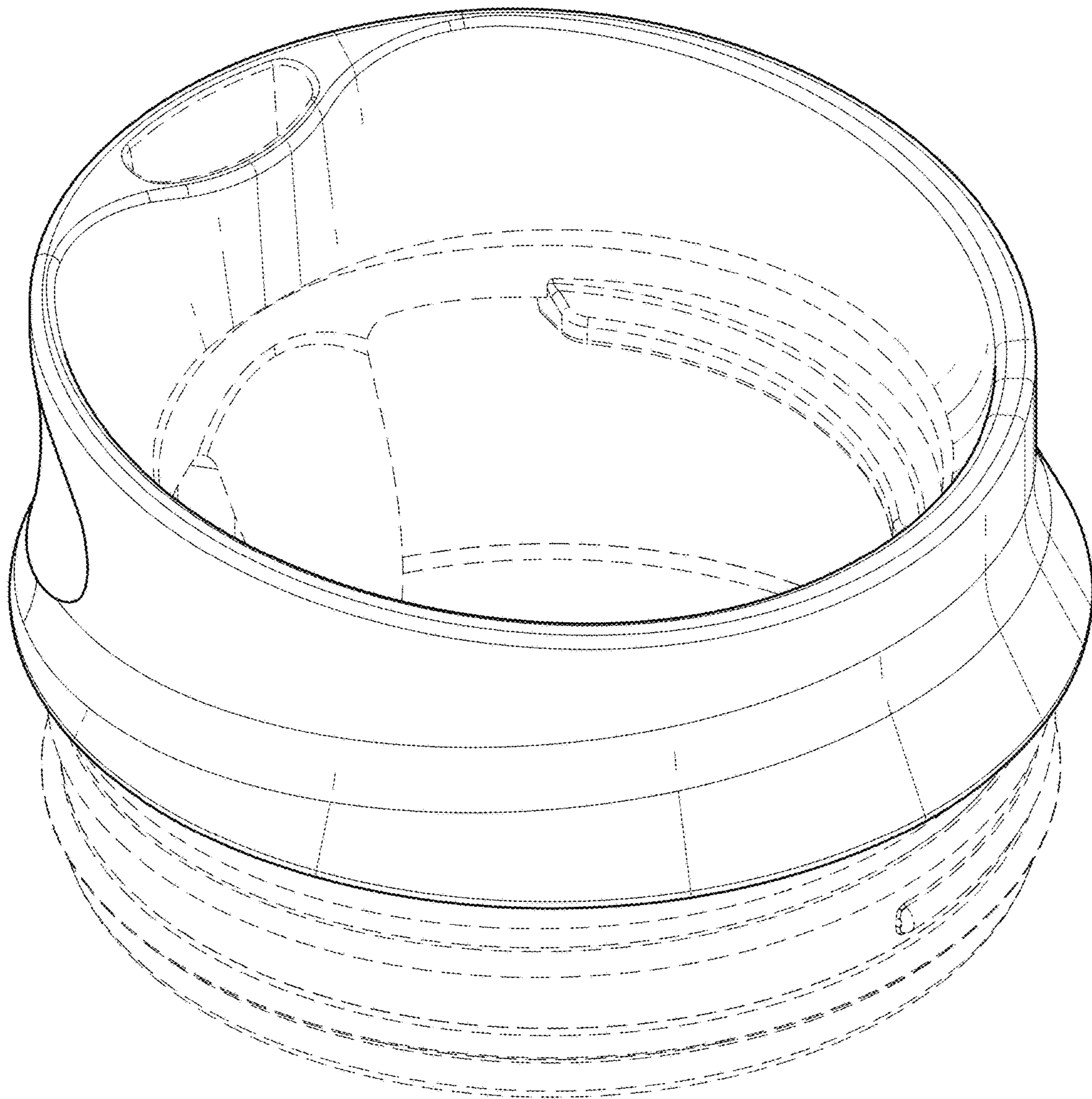


FIG. 3

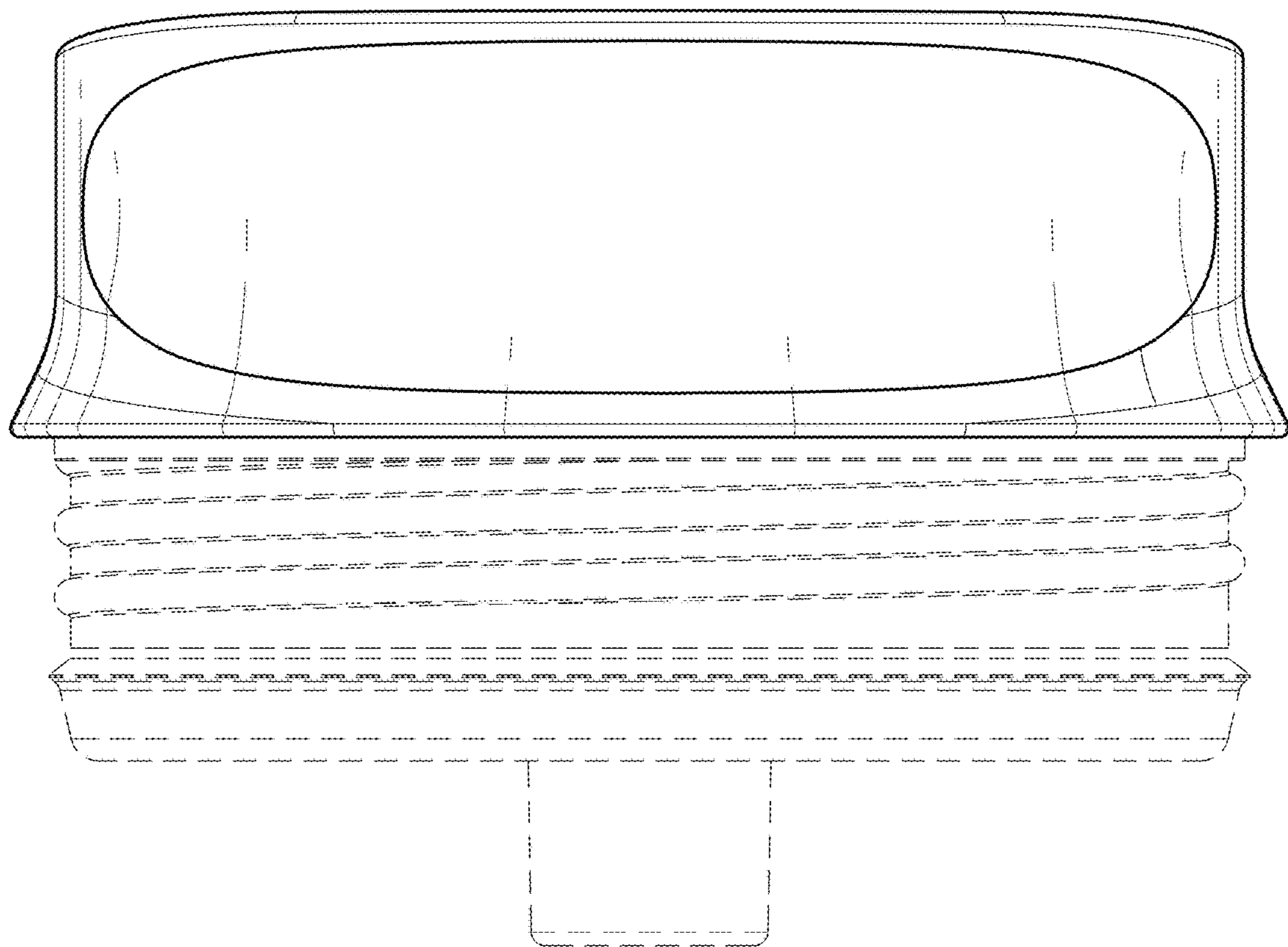


FIG. 4

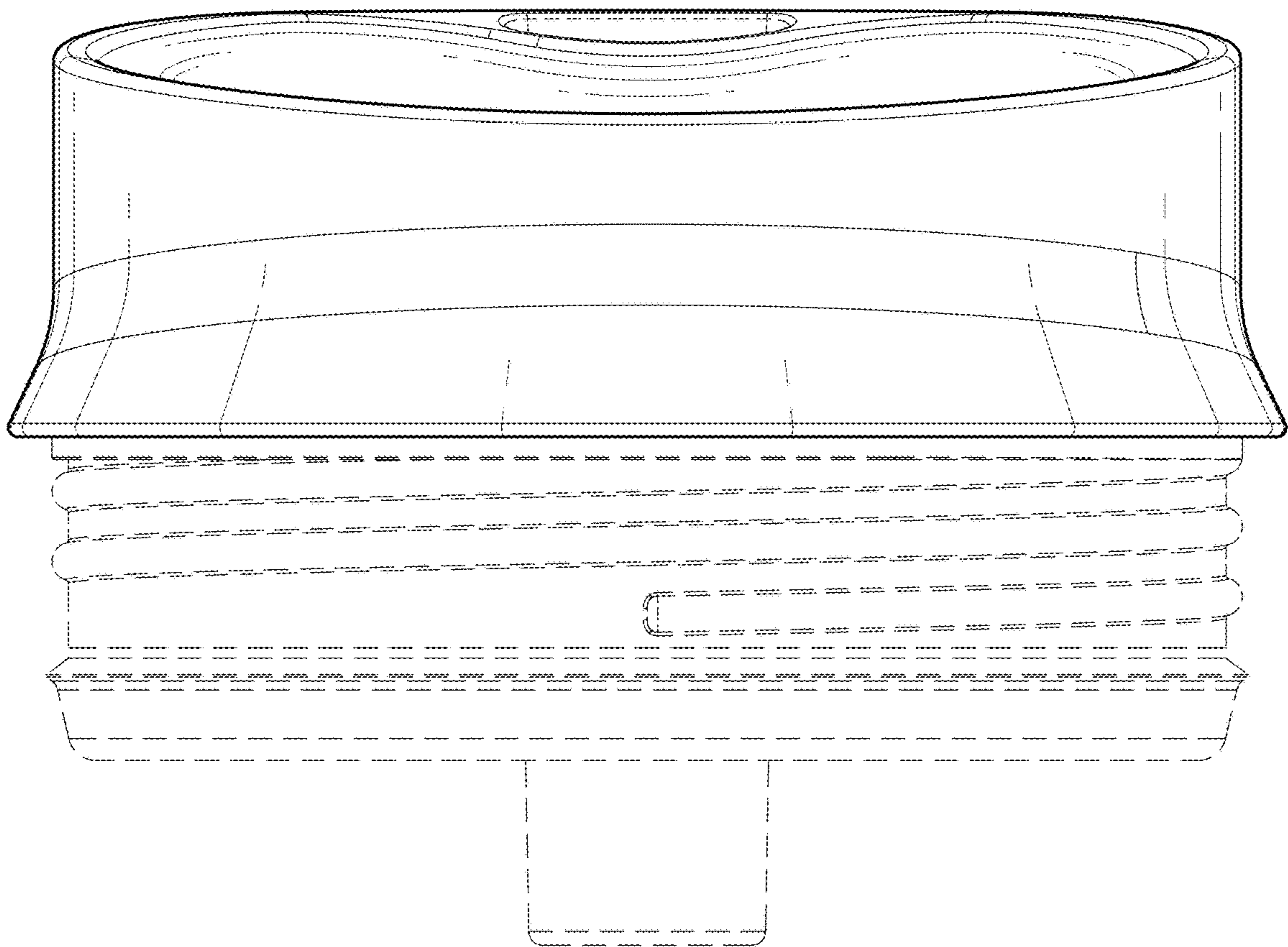


FIG. 5

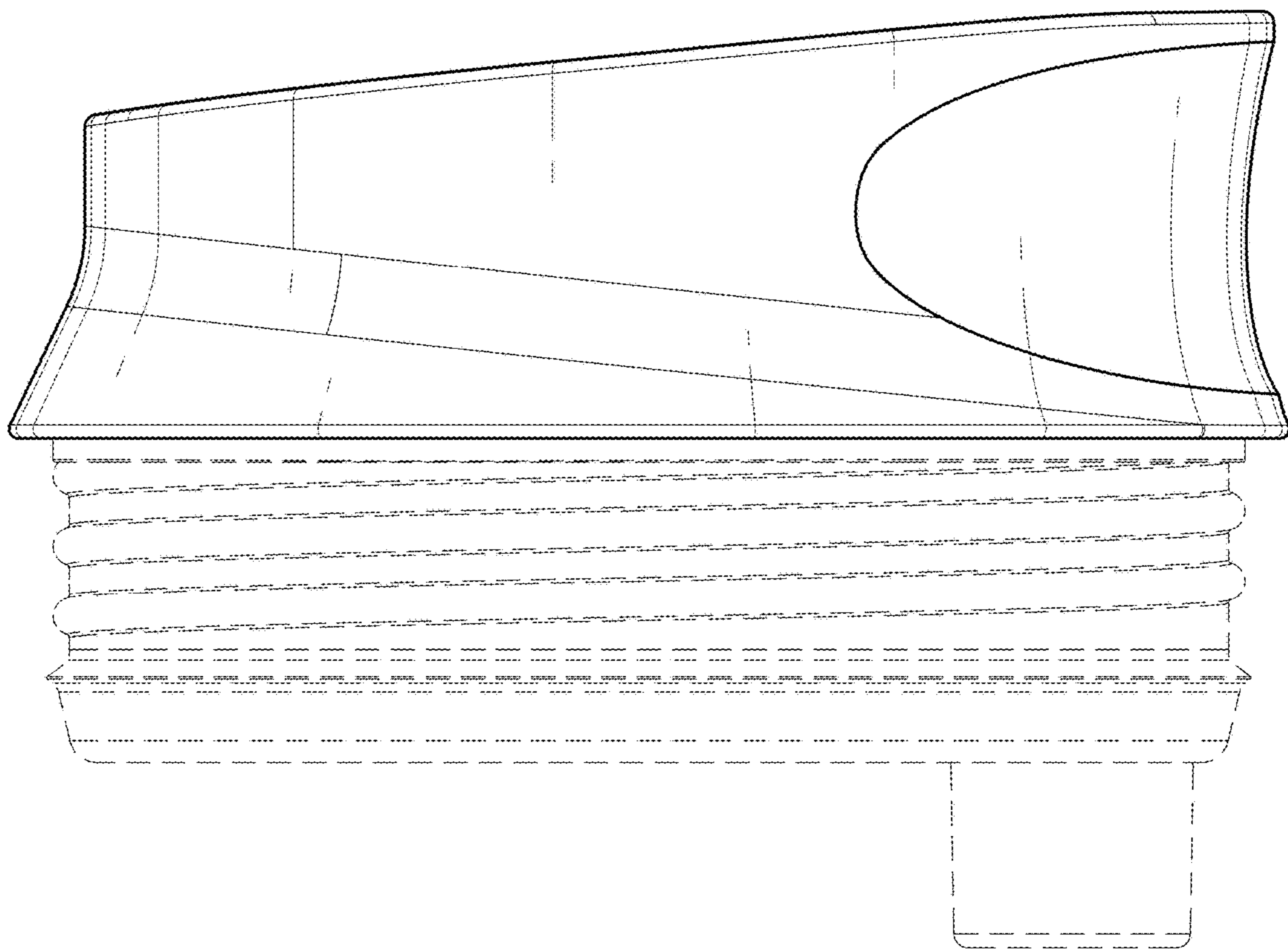


FIG. 6

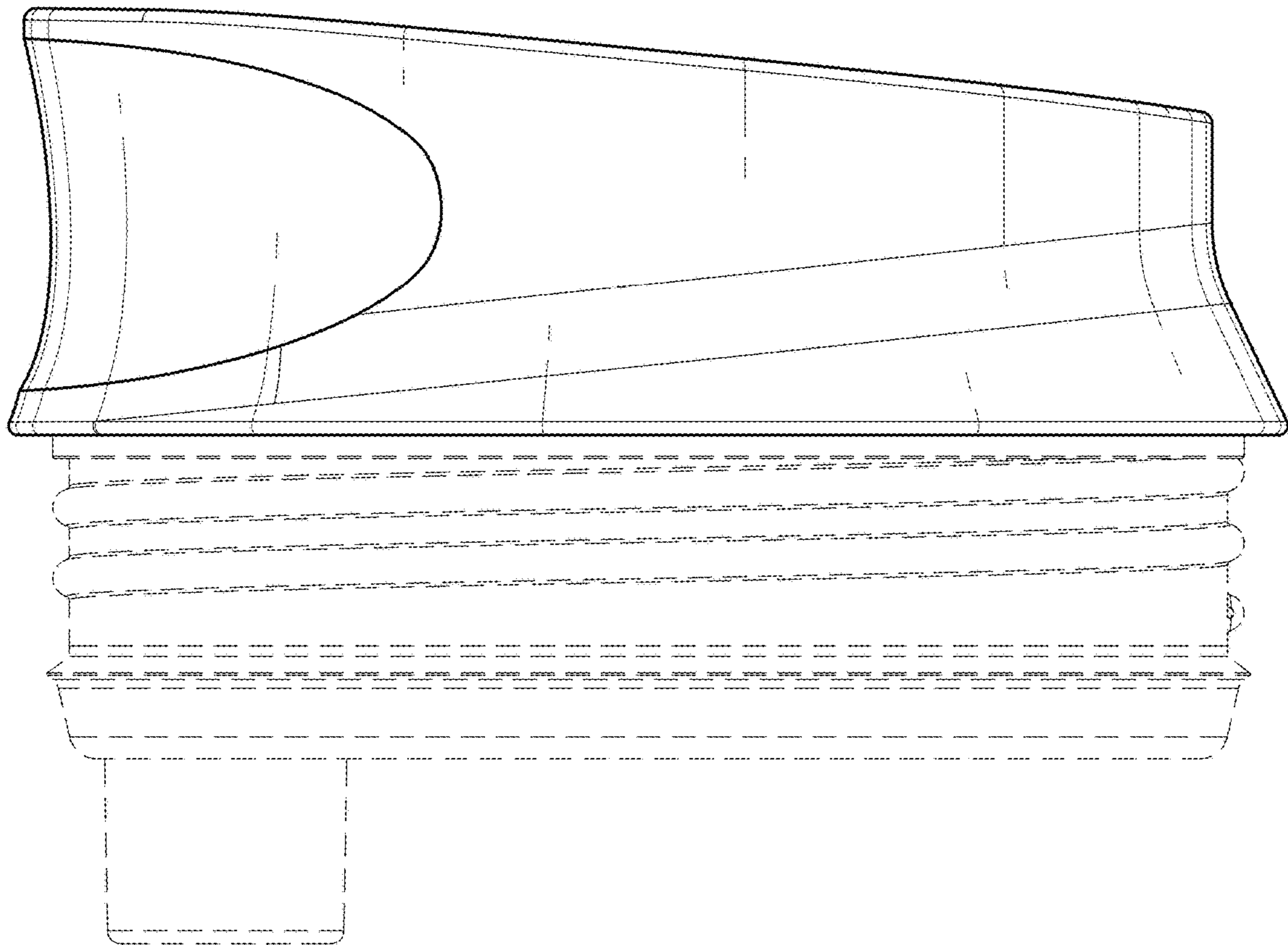


FIG. 7

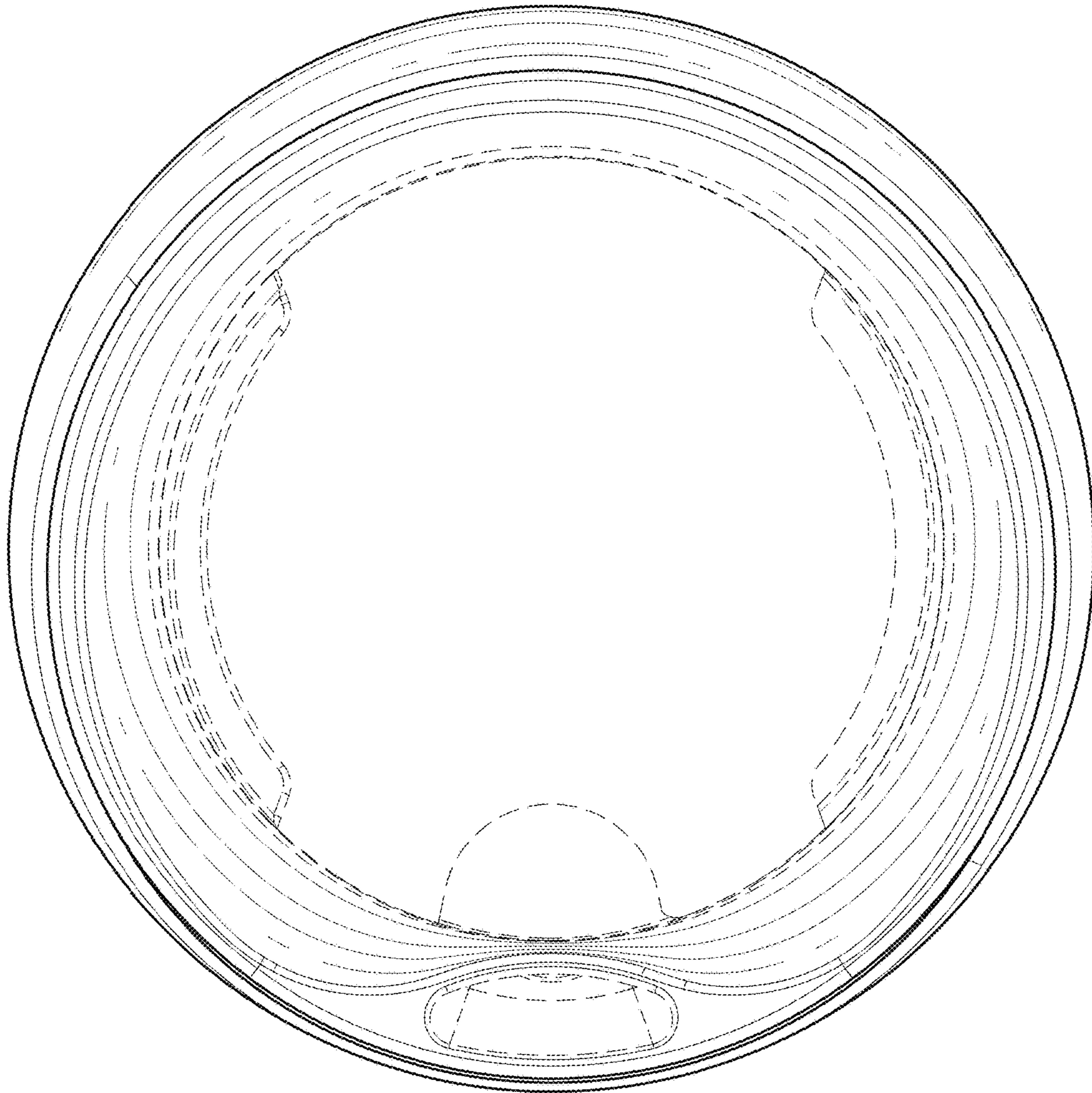


FIG. 8

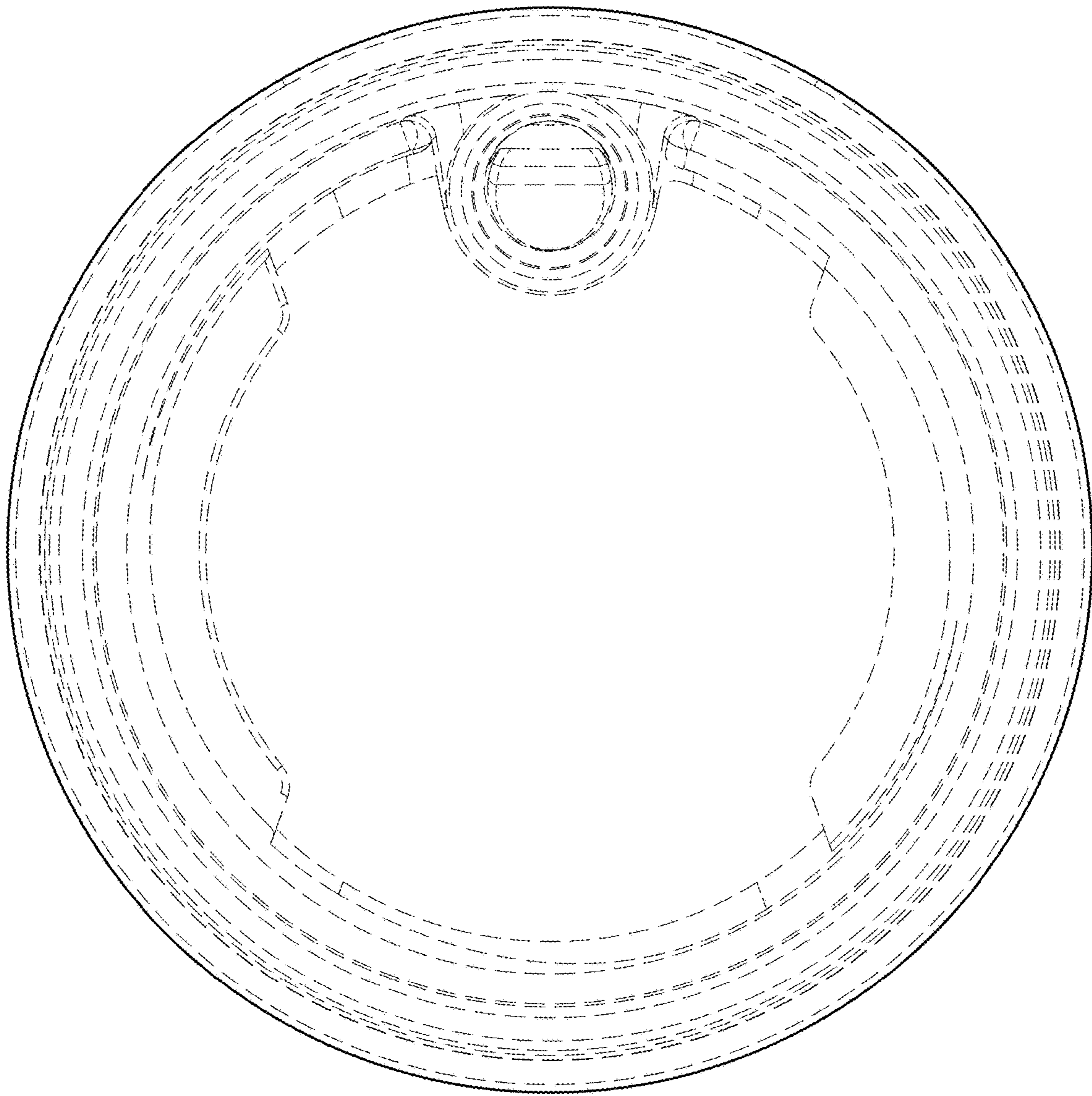


FIG. 9