



US00D852622S

(12) **United States Design Patent**
Li et al.

(10) **Patent No.:** **US D852,622 S**
(45) **Date of Patent:** **** Jul. 2, 2019**

(54) **BOX**

(71) Applicant: **METSÄ BOARD CORPORATION**,
Espoo (FI)

(72) Inventors: **Alan Li**, Shanghai (CN); **Chris Wang**,
Shanghai (CN)

(73) Assignee: **METSÄ BOARD CORPORATION**,
Espoo (FI)

(**) Term: **15 Years**

(21) Appl. No.: **29/636,704**

(22) Filed: **Feb. 9, 2018**

(30) **Foreign Application Priority Data**

Aug. 11, 2017 (EM) 004143584

(51) **LOC (11) Cl.** **09-03**

(52) **U.S. Cl.**
USPC **D9/432; D9/433**

(58) **Field of Classification Search**
USPC D9/414-423, 430-433, 434, 456, 457,
D9/711, 713, 721-722, 732; D20/10, 22,
D20/27, 40, 42; D24/100-104
CPC ... B65D 5/00; B65D 5/02; B65D 5/18; B65D
5/20

See application file for complete search history.

(56) **References Cited**

U.S. PATENT DOCUMENTS

3,717,243 A * 2/1973 Cote B65D 5/5009
206/783
D255,993 S * 7/1980 Lambert D9/433
D260,000 S * 7/1981 Roccaforte D9/433
6,050,402 A * 4/2000 Walter B65D 5/725
206/265
D535,557 S * 1/2007 Fath D9/432

(Continued)

Primary Examiner — Vy N Koenig

(74) *Attorney, Agent, or Firm* — Birch, Stewart, Kolasch
& Birch, LLP

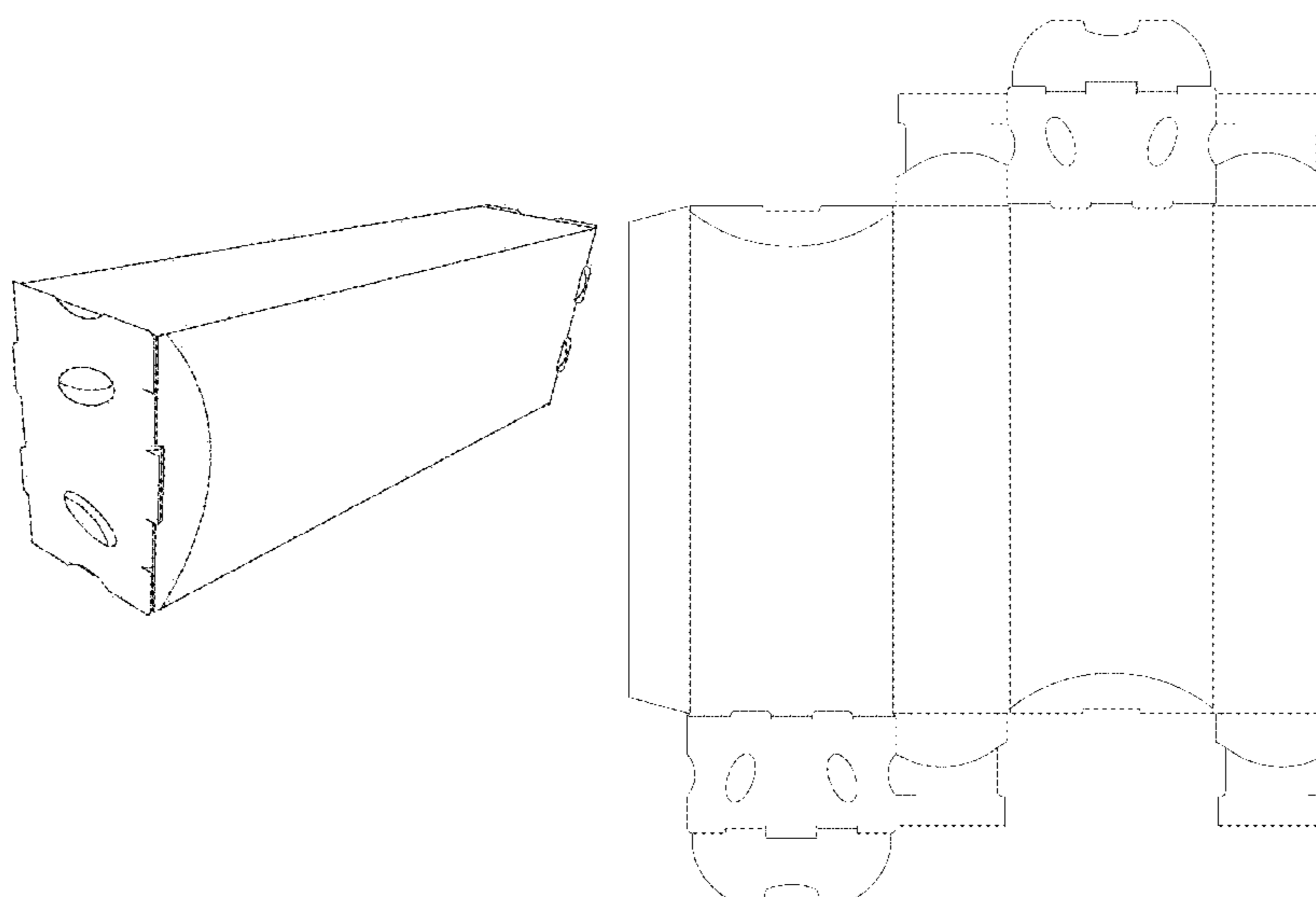
(57) **CLAIM**

The ornamental design for a box, as shown and described.

DESCRIPTION

FIG. 1 is a perspective view of the box showing a first embodiment of the new design;
FIG. 2 is a view of the first embodiment thereof in an unfolded condition;
FIG. 3 is a front elevational view of the first embodiment thereof;
FIG. 4 is a back elevational view of the first embodiment thereof;
FIG. 5 is a top plan view of the first embodiment thereof;
FIG. 6 is a bottom plan view of the first embodiment thereof;
FIG. 7 is a right side elevational view of the first embodiment thereof;
FIG. 8 is a left side elevational view of the first embodiment thereof; and
FIG. 9 is a perspective view of the box showing a second embodiment of the new design;
FIG. 10 is a view of the second embodiment thereof in an unfolded condition;
FIG. 11 is a front elevational view of the second embodiment thereof;
FIG. 12 is a back elevational view of the second embodiment thereof;
FIG. 13 is a top plan view of the second embodiment thereof;
FIG. 14 is a bottom plan view of the second embodiment thereof;
FIG. 15 is a right side elevational view of the second embodiment thereof; and,
FIG. 16 is a left side elevational view of the second embodiment thereof.

1 Claim, 16 Drawing Sheets



(56)

References Cited

U.S. PATENT DOCUMENTS

D581,783	S	*	12/2008	Dixon	D9/433
D609,090	S	*	2/2010	Vajai	D9/432
D623,939	S	*	9/2010	Tearle	D9/433
D763,098	S	*	8/2016	Billen	D21/551
D763,099	S	*	8/2016	Billen	D21/551
2007/0199982	A1	*	8/2007	Lo Duca	B65D 5/4237 229/120.18

* cited by examiner

FIG. 1

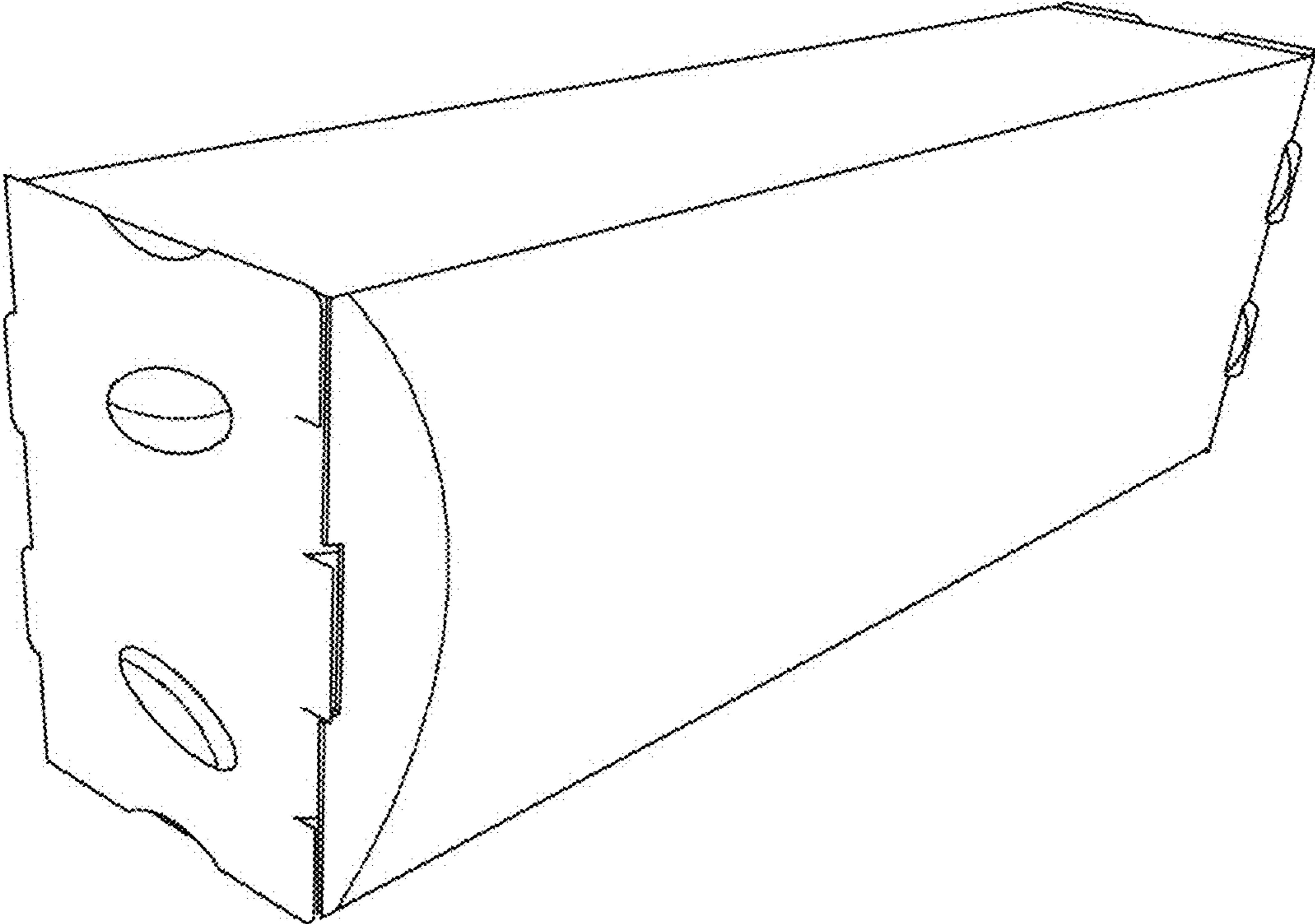


FIG. 2

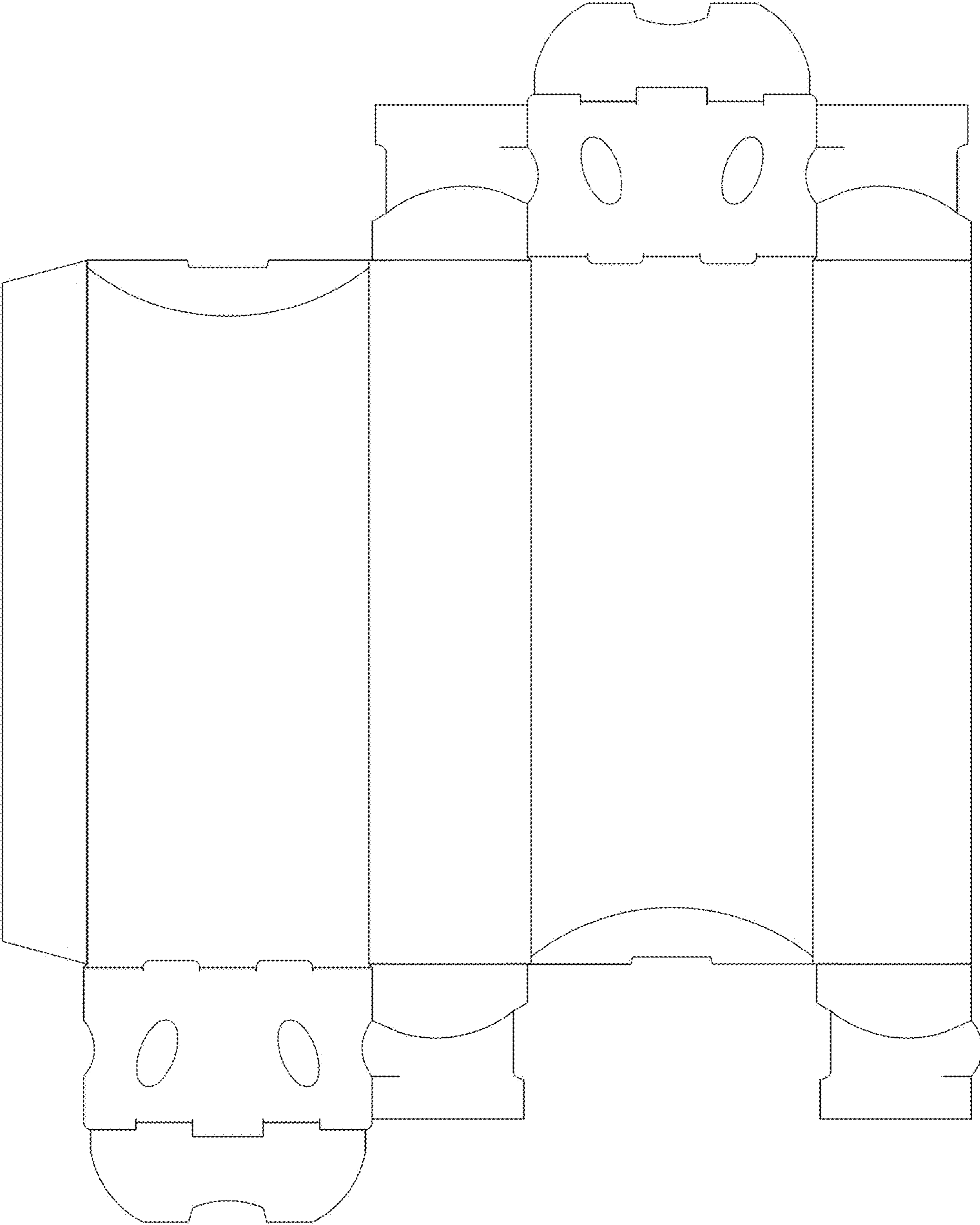


FIG. 3

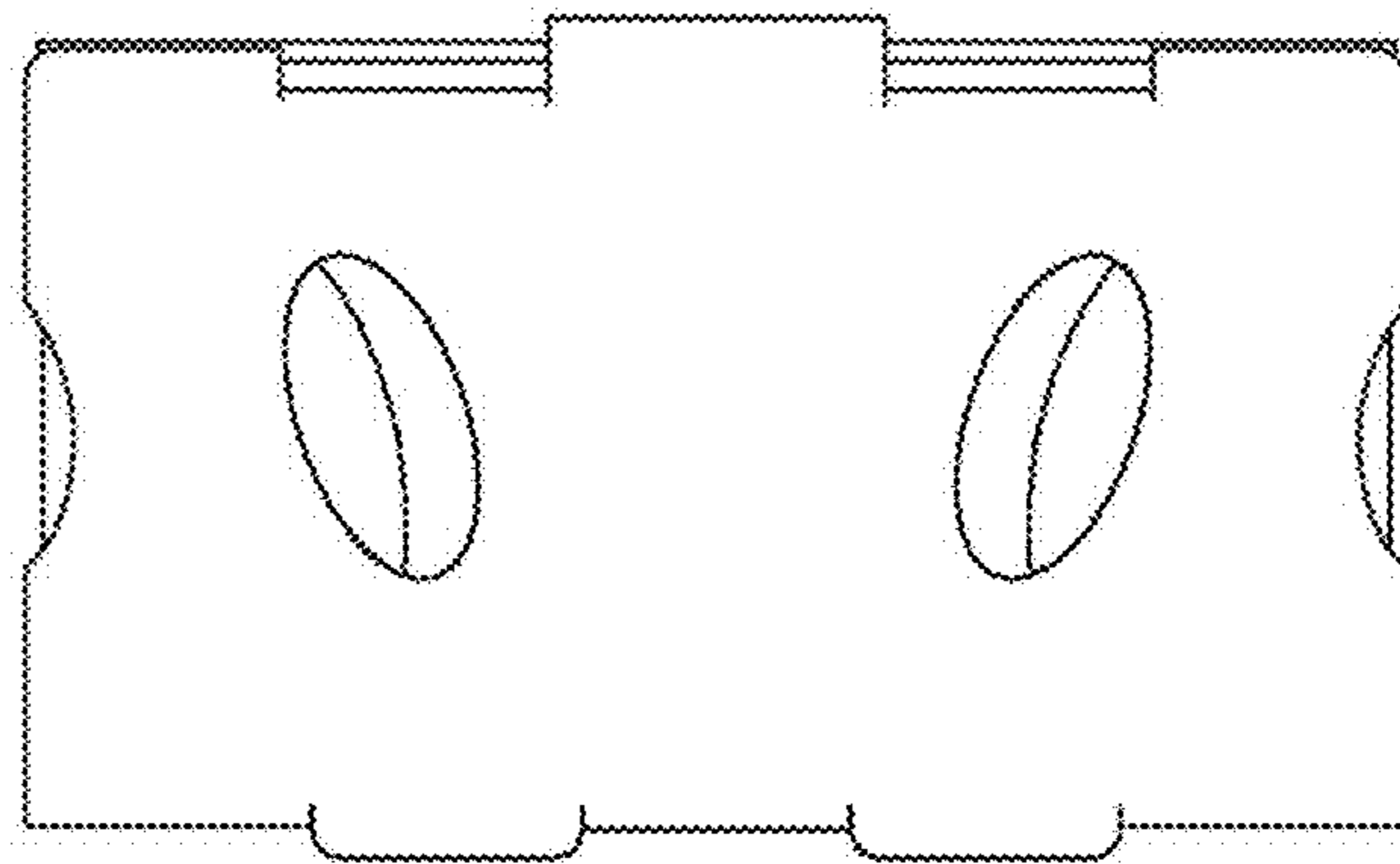


FIG. 4

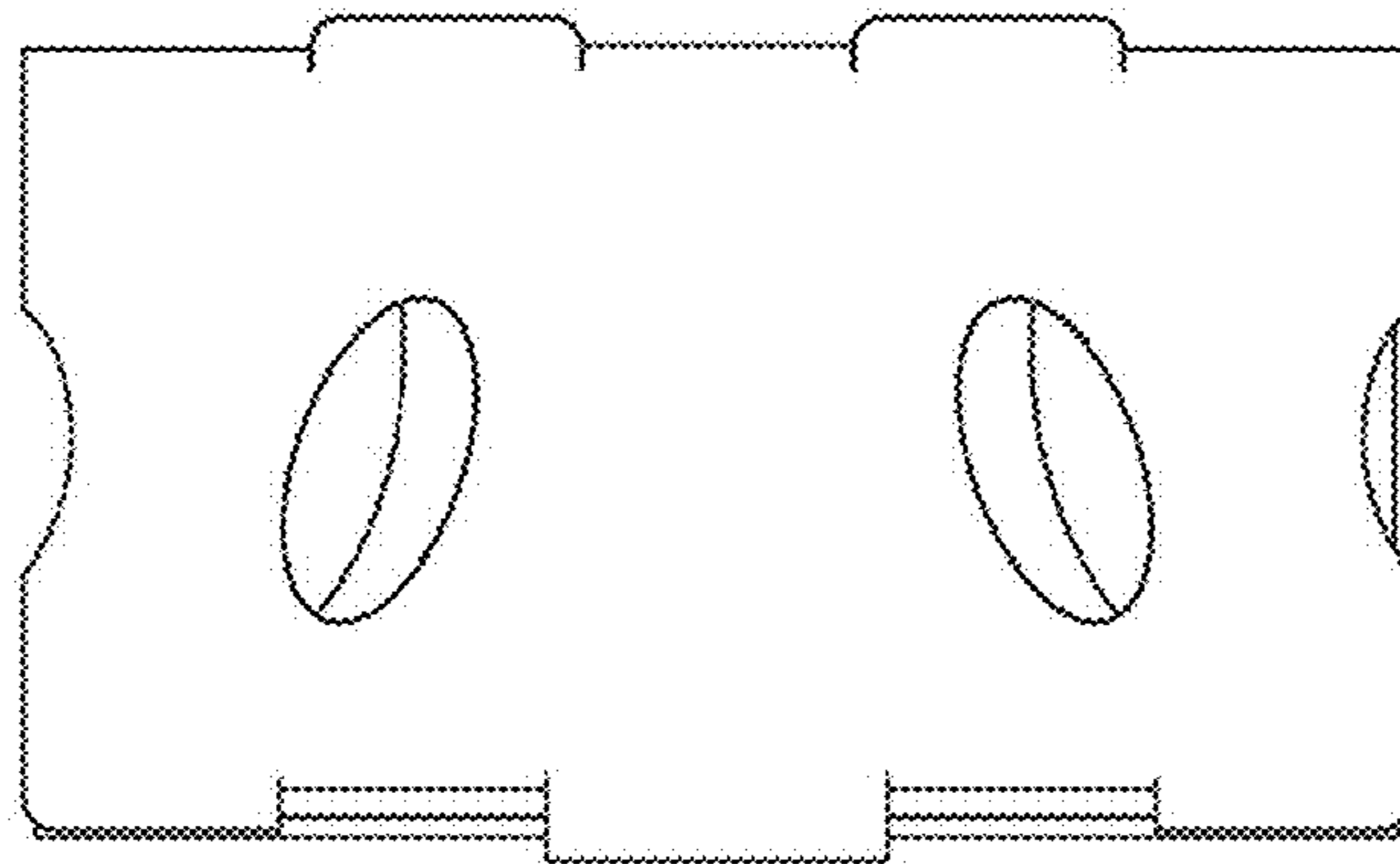


FIG. 5

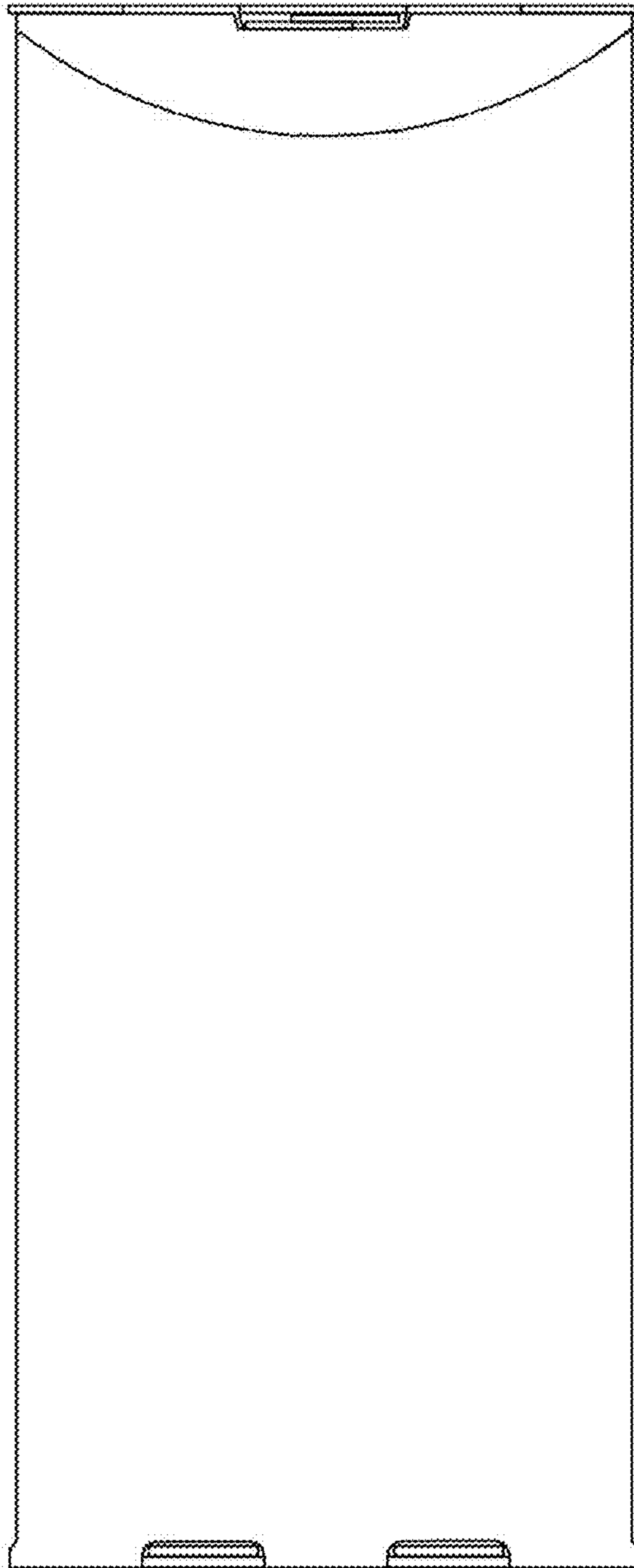


FIG. 6

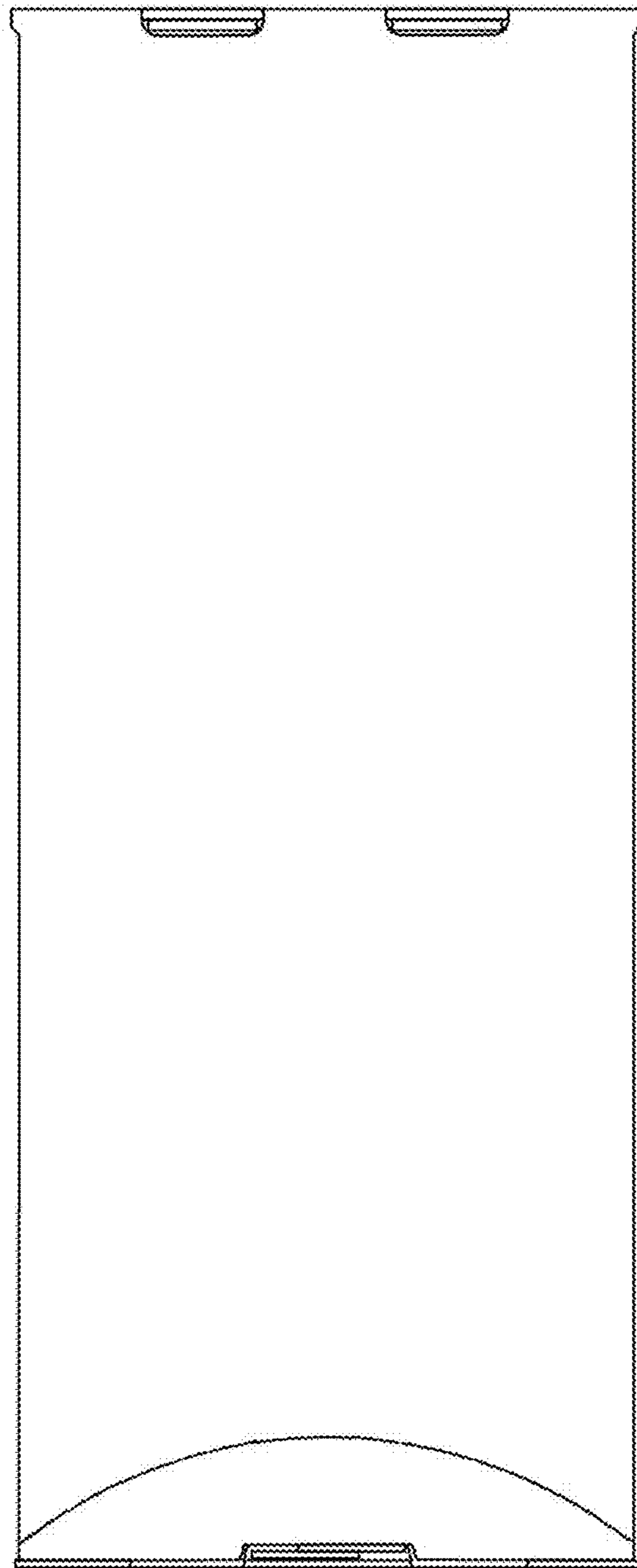


FIG. 7



FIG. 8

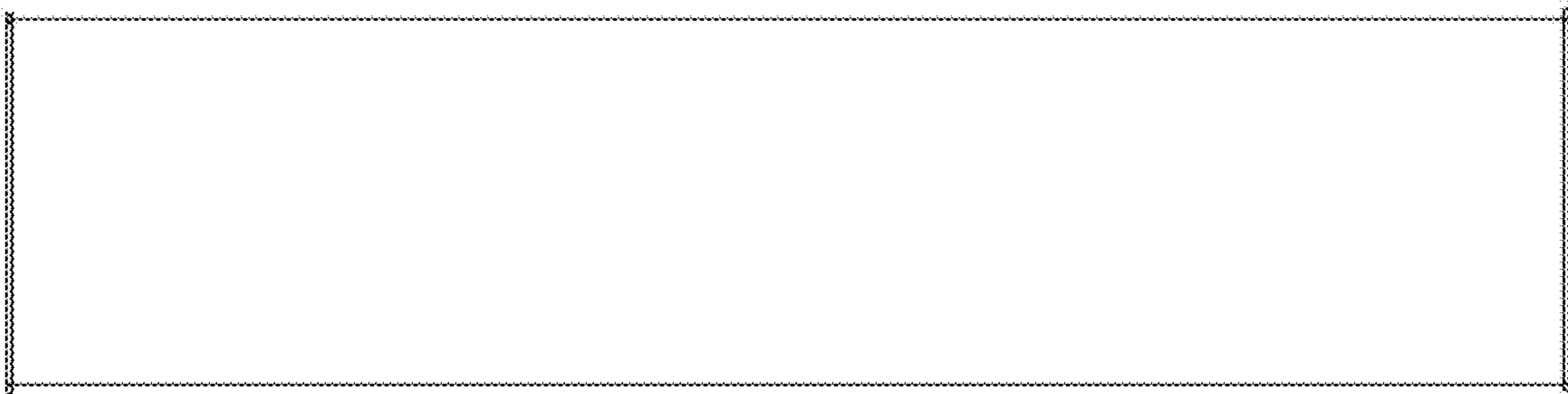


FIG. 9

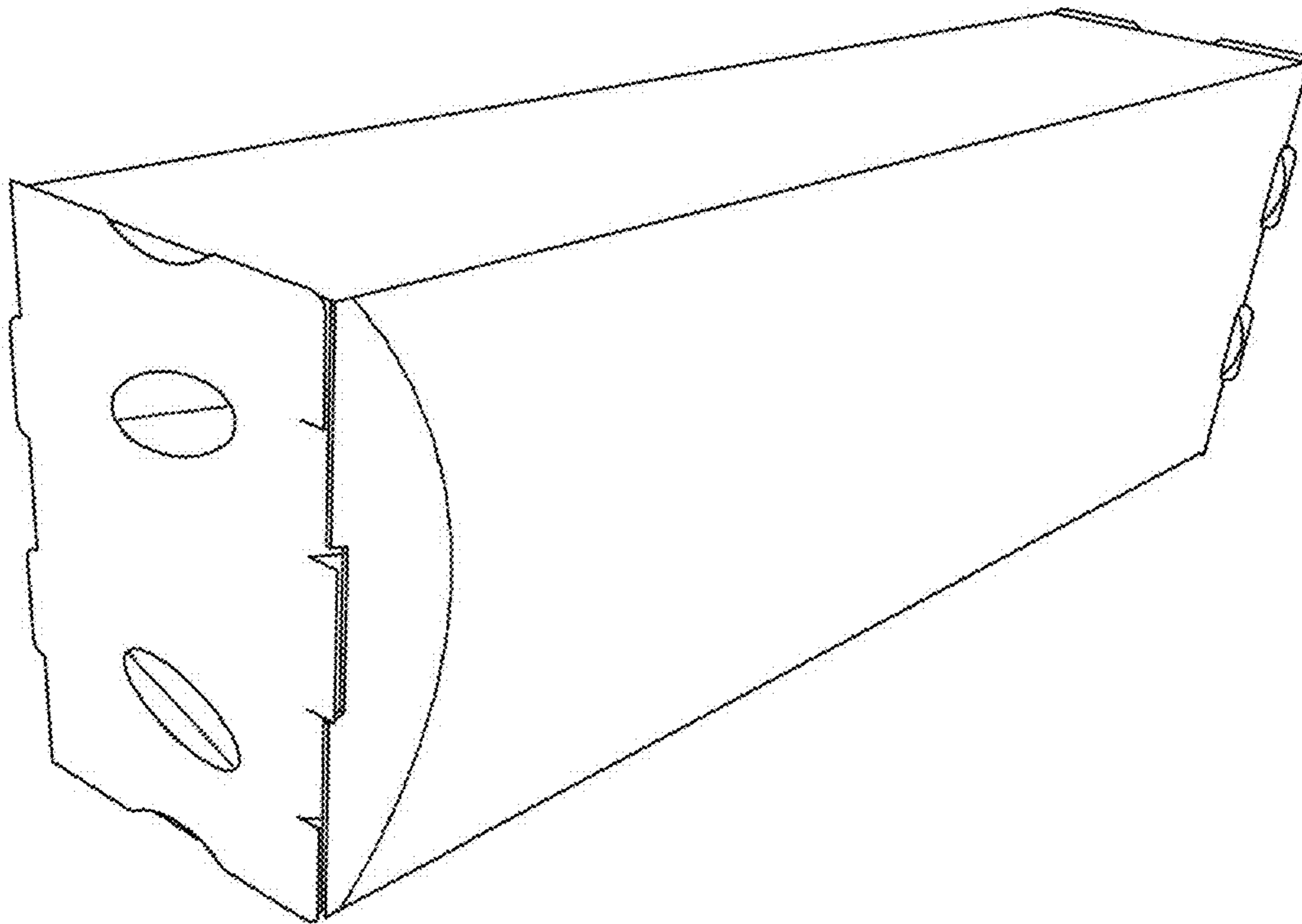


FIG. 10

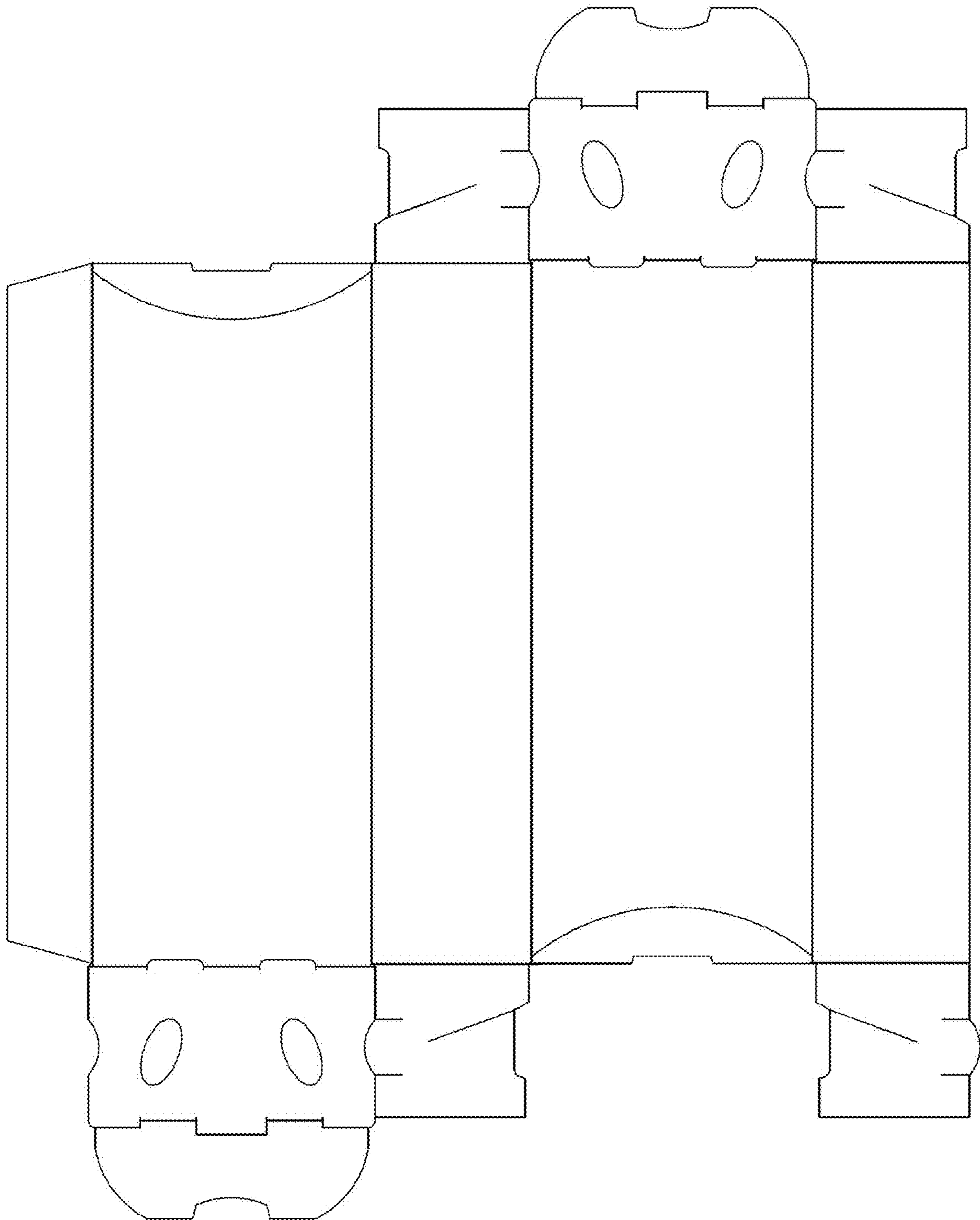


FIG. 11

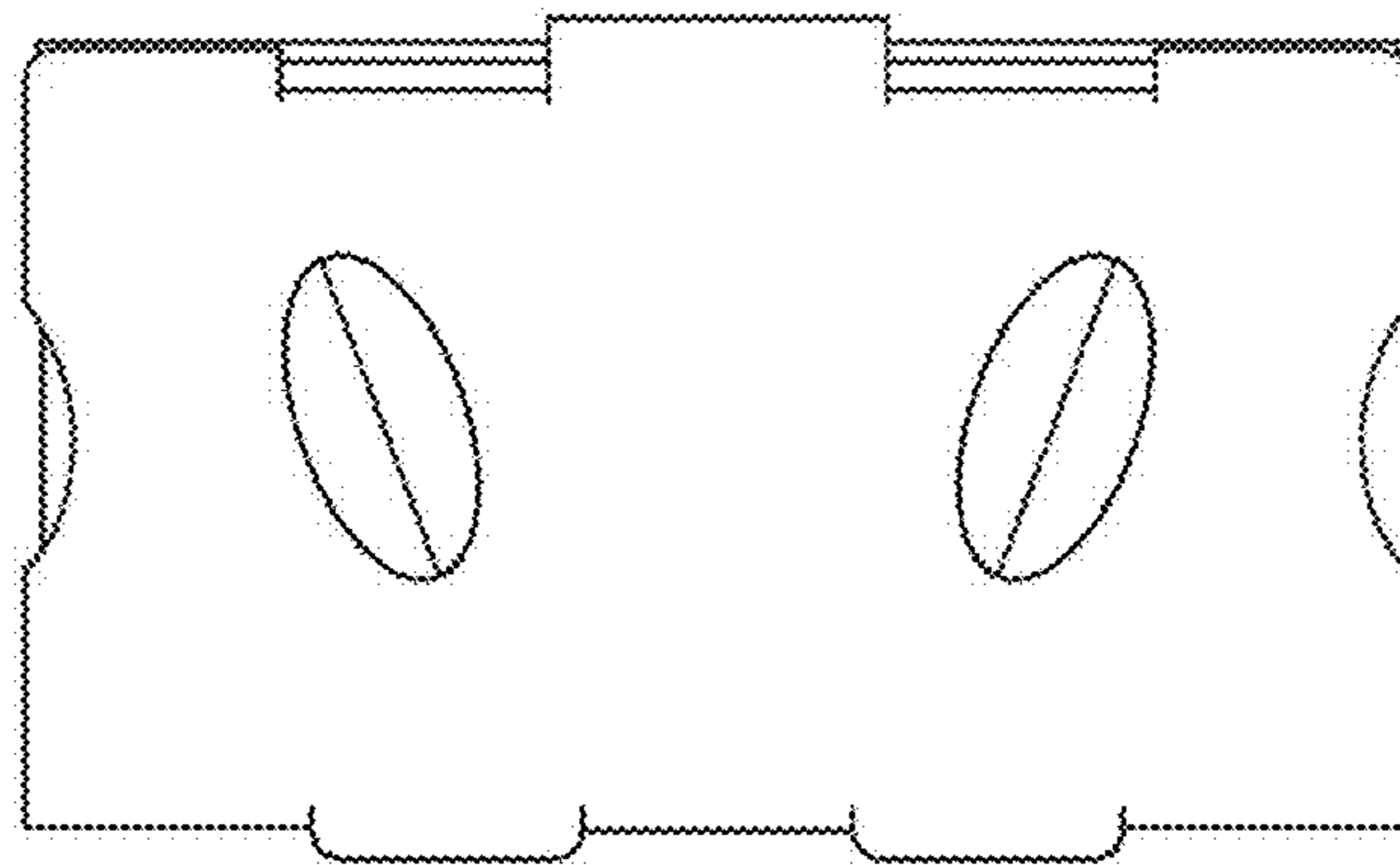


FIG. 12

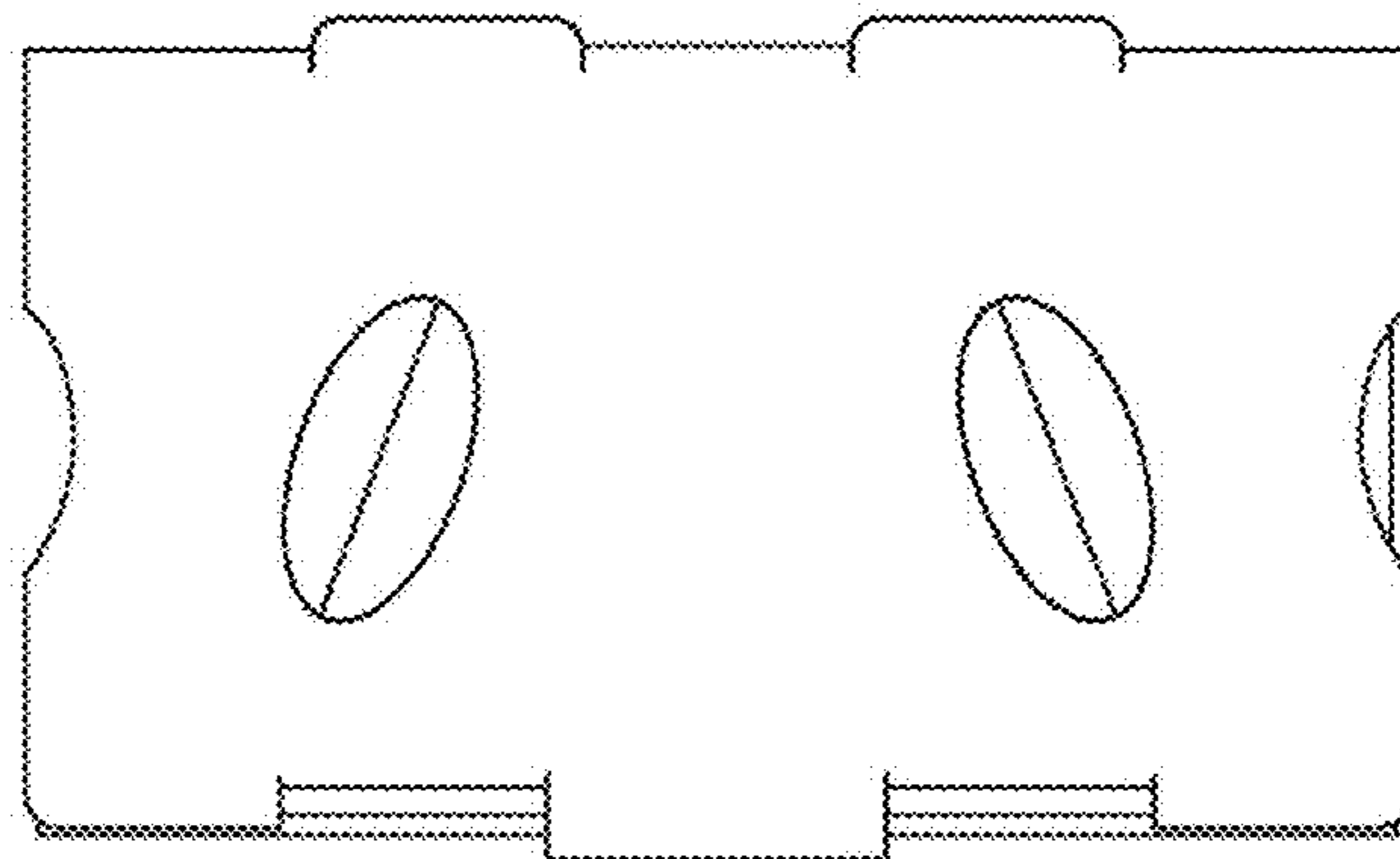


FIG. 13

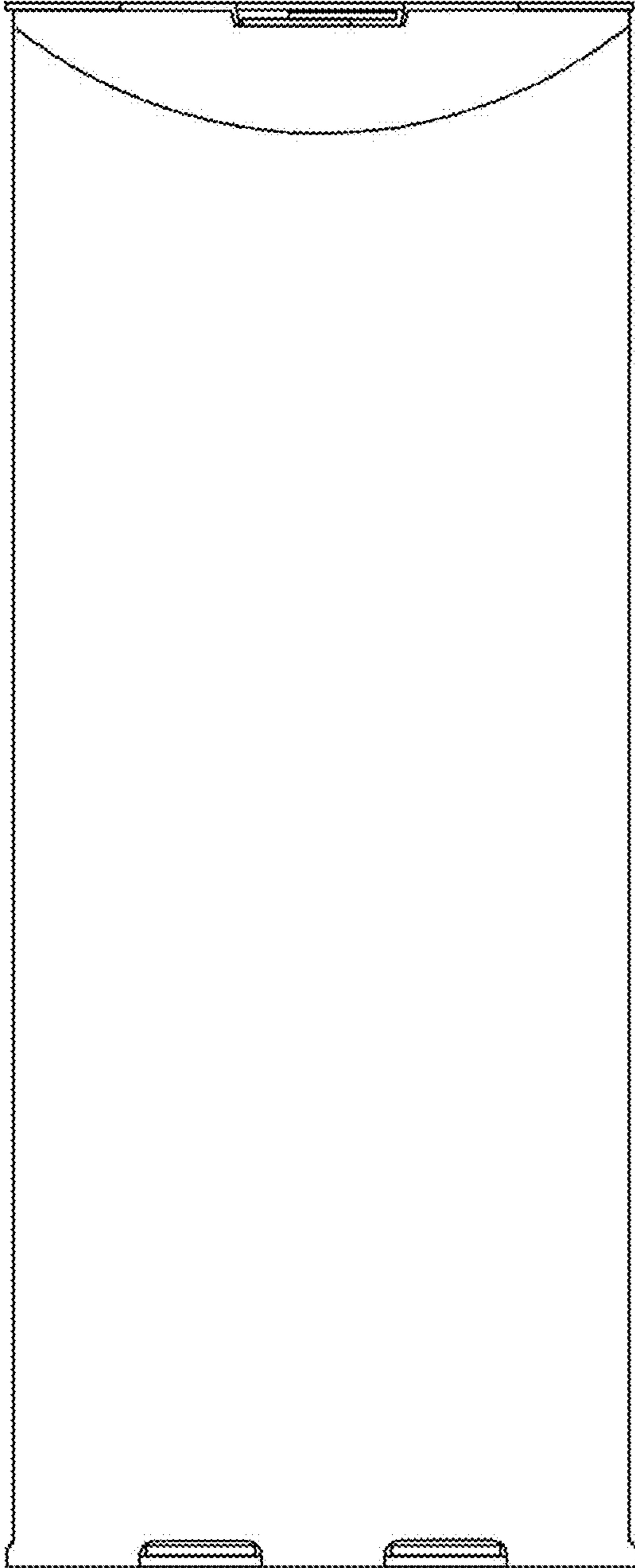


FIG. 14

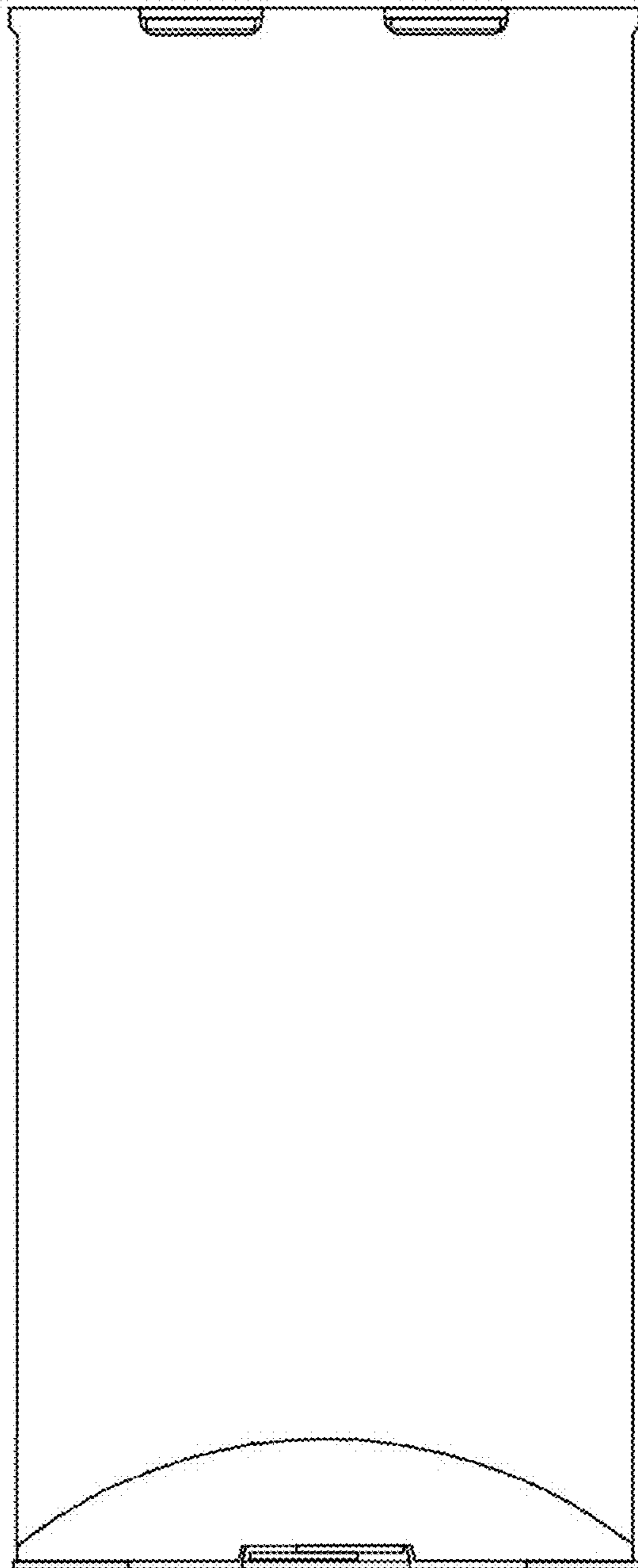


FIG. 15



FIG. 16

