



US00D852620S

(12) **United States Design Patent**  
**D'Alfonso et al.**

(10) **Patent No.:** **US D852,620 S**  
(45) **Date of Patent:** **\*\* Jul. 2, 2019**

- (54) **LIQUID CONTAINER**
- (71) Applicant: **G.D S.p.A.**, Bologna (IT)
- (72) Inventors: **Lorena D'Alfonso**, Lettomanoppello (IT); **Luca Paradiso**, Corciano (IT); **Luca Petrucci**, Castelfranco Emilia (IT)
- (73) Assignee: **G.D S.P.A.**, Bologna (IT)
- (\*\*) Term: **15 Years**
- (21) Appl. No.: **29/589,262**
- (22) Filed: **Dec. 29, 2016**

(30) **Foreign Application Priority Data**

- Jun. 30, 2016 (EM) ..... 003255892-0022
- Jun. 30, 2016 (EM) ..... 003255892-0023
- Jun. 30, 2016 (EM) ..... 003255892-0029
- Jun. 30, 2016 (EM) ..... 003255892-0030
- Jun. 30, 2016 (EM) ..... 003255892-0031
- Jun. 30, 2016 (EM) ..... 003255892-0032
- Jun. 30, 2016 (EM) ..... 003255892-0033

(51) **LOC (11) Cl.** ..... **09-03**

(52) **U.S. Cl.**  
USPC ..... **D9/430; D9/433**

(58) **Field of Classification Search**  
USPC ..... D9/414-419, 420-423, 424-429, D9/430-434, 456, 457, 600, 667, 679, D9/721-722, 732-734, 737, 756, 759, D9/761; D3/272-274, 290, 304, 305, D3/315; D7/300  
CPC ..... B65D 5/00; B65D 5/0015; B65D 5/061; B65D 5/18; B65D 5/20; B65D 5/32; B65D 5/321; B65D 5/322  
See application file for complete search history.

(56) **References Cited**

**U.S. PATENT DOCUMENTS**

- D333,781 S \* 3/1993 Kobel ..... D30/124
- D429,462 S \* 8/2000 Kumakura ..... D9/415

- D430,022 S \* 8/2000 Goettner ..... D9/416
- D503,616 S \* 4/2005 Ghini ..... D9/430
- D578,896 S \* 10/2008 Herman ..... D9/541
- D612,265 S \* 3/2010 Nelson ..... D9/541
- D643,301 S \* 8/2011 Consylman ..... D9/431
- D684,853 S \* 6/2013 Dagnino ..... D9/417
- D714,638 S \* 10/2014 Mohn ..... D9/432
- D721,576 S \* 1/2015 De Pietri Tonelli ..... D9/431
- D748,470 S \* 2/2016 Mohn ..... D9/432
- D750,498 S \* 3/2016 Sezanayev ..... D9/445
- D754,545 S \* 4/2016 Sezanayev ..... D9/445
- D764,283 S \* 8/2016 Mohn ..... D9/432

(Continued)

**OTHER PUBLICATIONS**

Packaging redesign Kuli Leskedrikk on Behance. [online] Published on Jun. 4, 2013. Retrieved Mar. 9, 2018 from URL: <https://www.behance.net/gallery/9067401/Packaging-redesign-Kuli-Leskedrikk>.\*

*Primary Examiner* — Vy N Koenig  
(74) *Attorney, Agent, or Firm* — Shuttleworth & Ingersoll, PLC; Timothy J. Klima

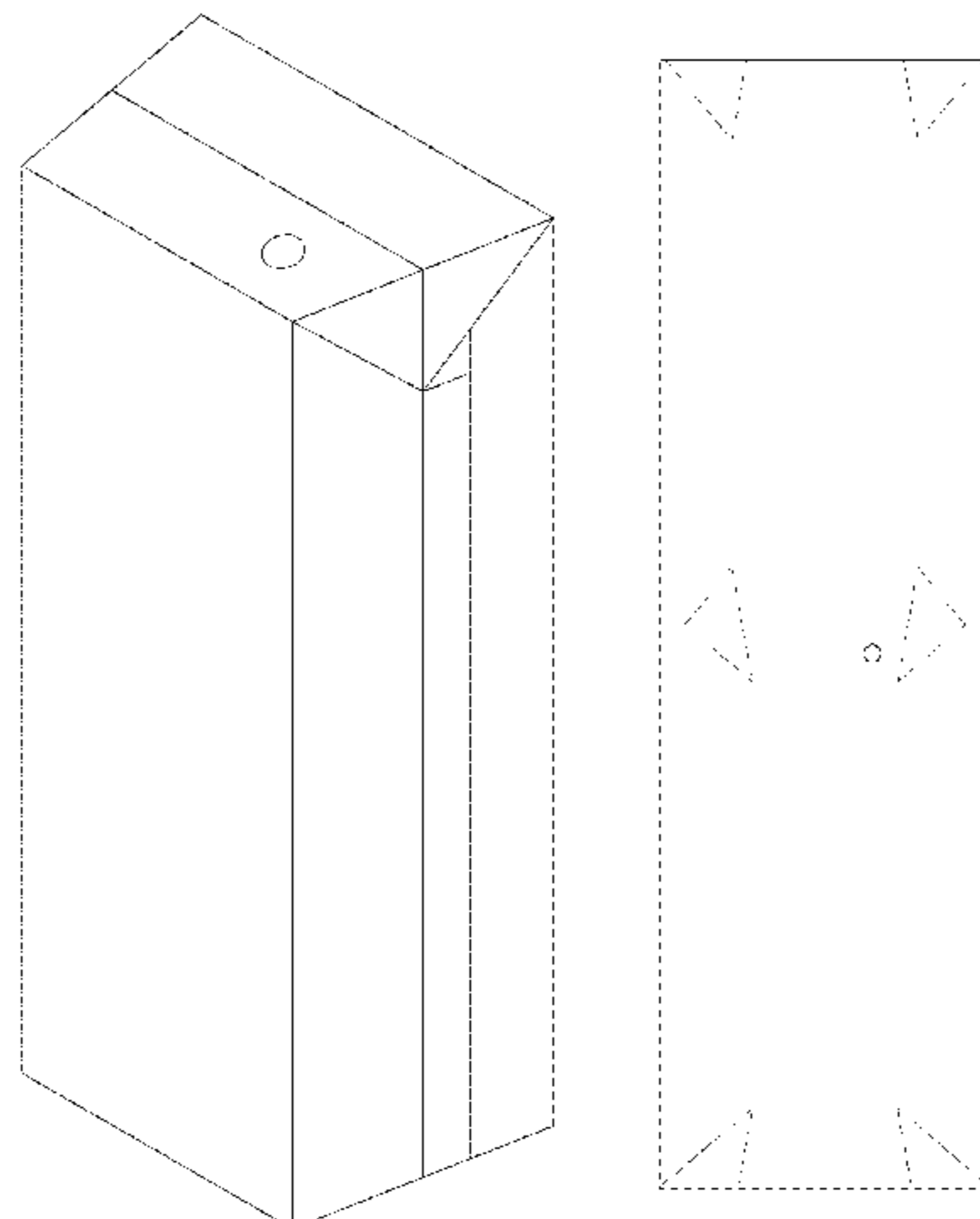
(57) **CLAIM**

The ornamental design for a liquid container, as shown and described.

**DESCRIPTION**

FIG. 1 is a front perspective view of a liquid container, showing our new design;  
 FIG. 2 is a rear view thereof;  
 FIG. 3 is a left side view thereof;  
 FIG. 4 is a bottom view thereof;  
 FIG. 5 is a top view thereof;  
 FIG. 6 is a front view thereof; and,  
 FIG. 7 is a plan view of the blank defining the liquid container.  
 Any broken lines in the drawings depict fold lines and form no part of the claimed design.

**1 Claim, 7 Drawing Sheets**



(56)

**References Cited**

U.S. PATENT DOCUMENTS

D764,284 S \* 8/2016 Mohn ..... D9/432  
D795,686 S \* 8/2017 Mohn ..... D9/417  
2011/0192118 A1\* 8/2011 Kaneko ..... B65D 5/064  
53/458

\* cited by examiner

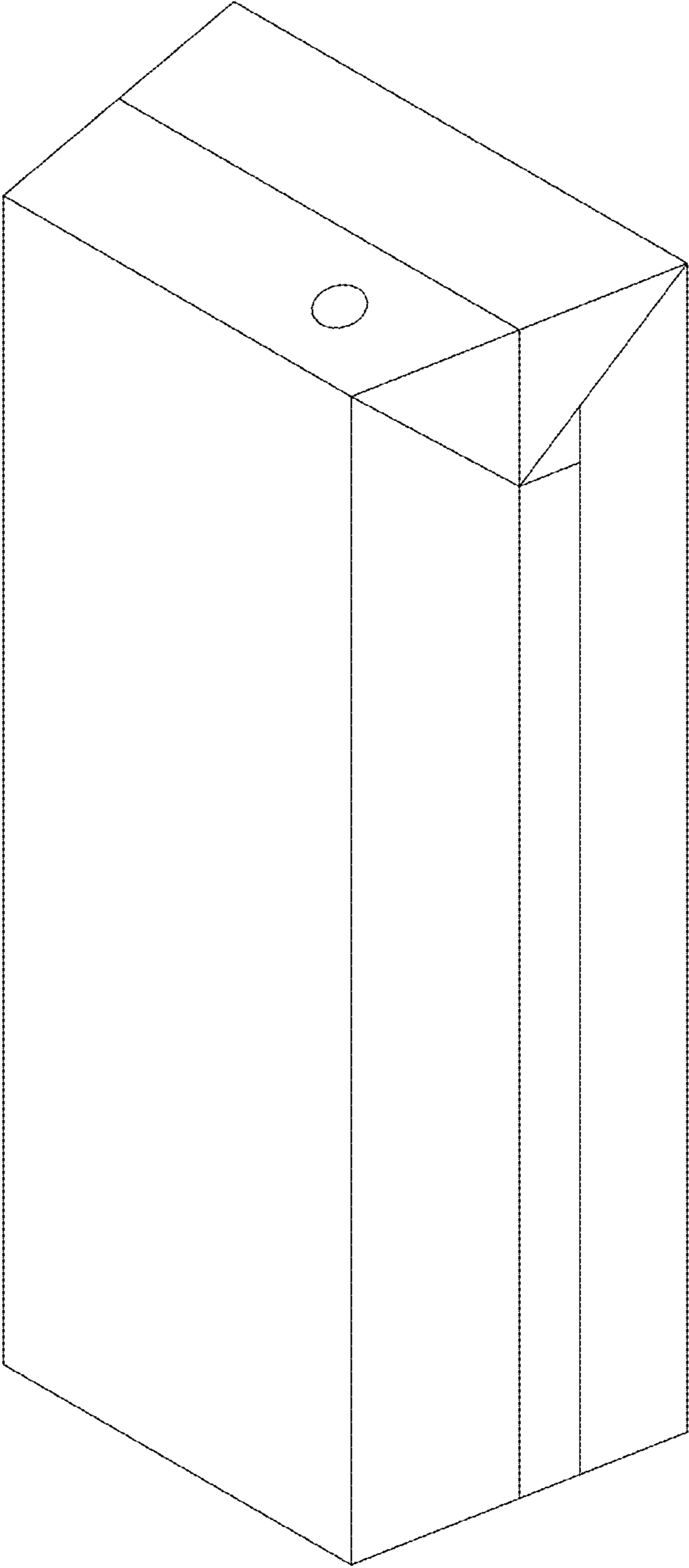


FIG. 1

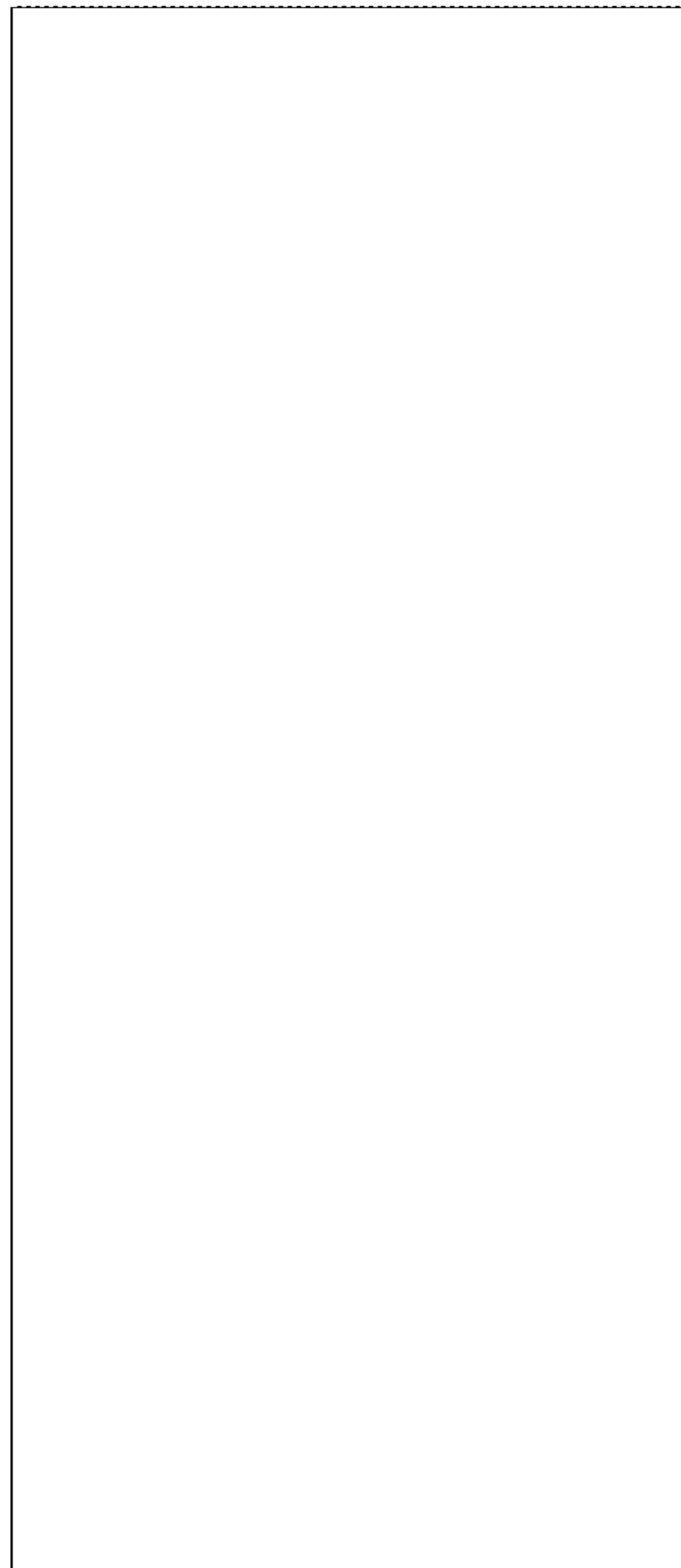


FIG. 2

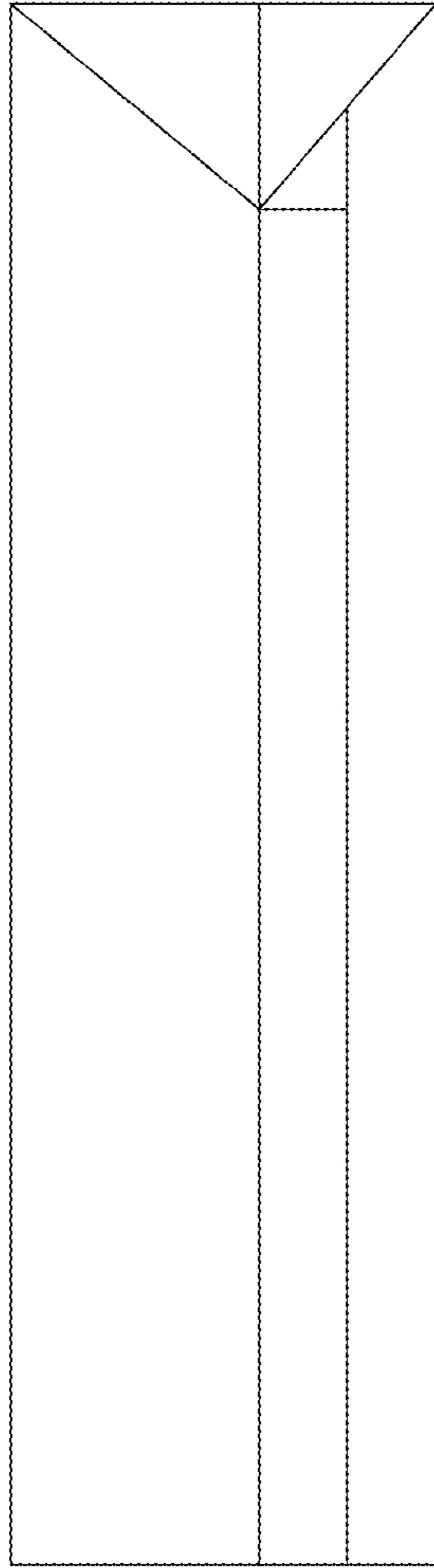


FIG. 3

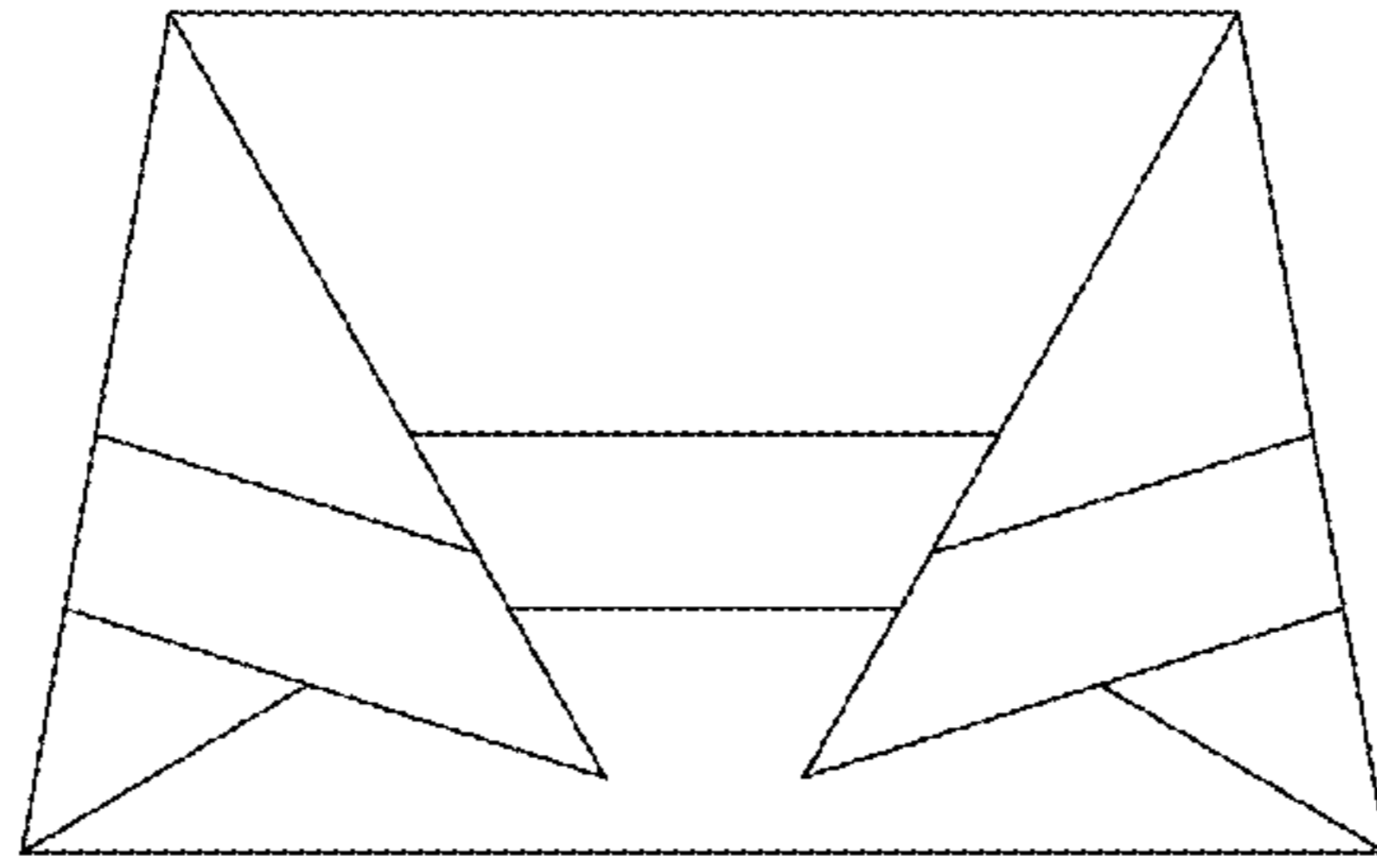


FIG. 4

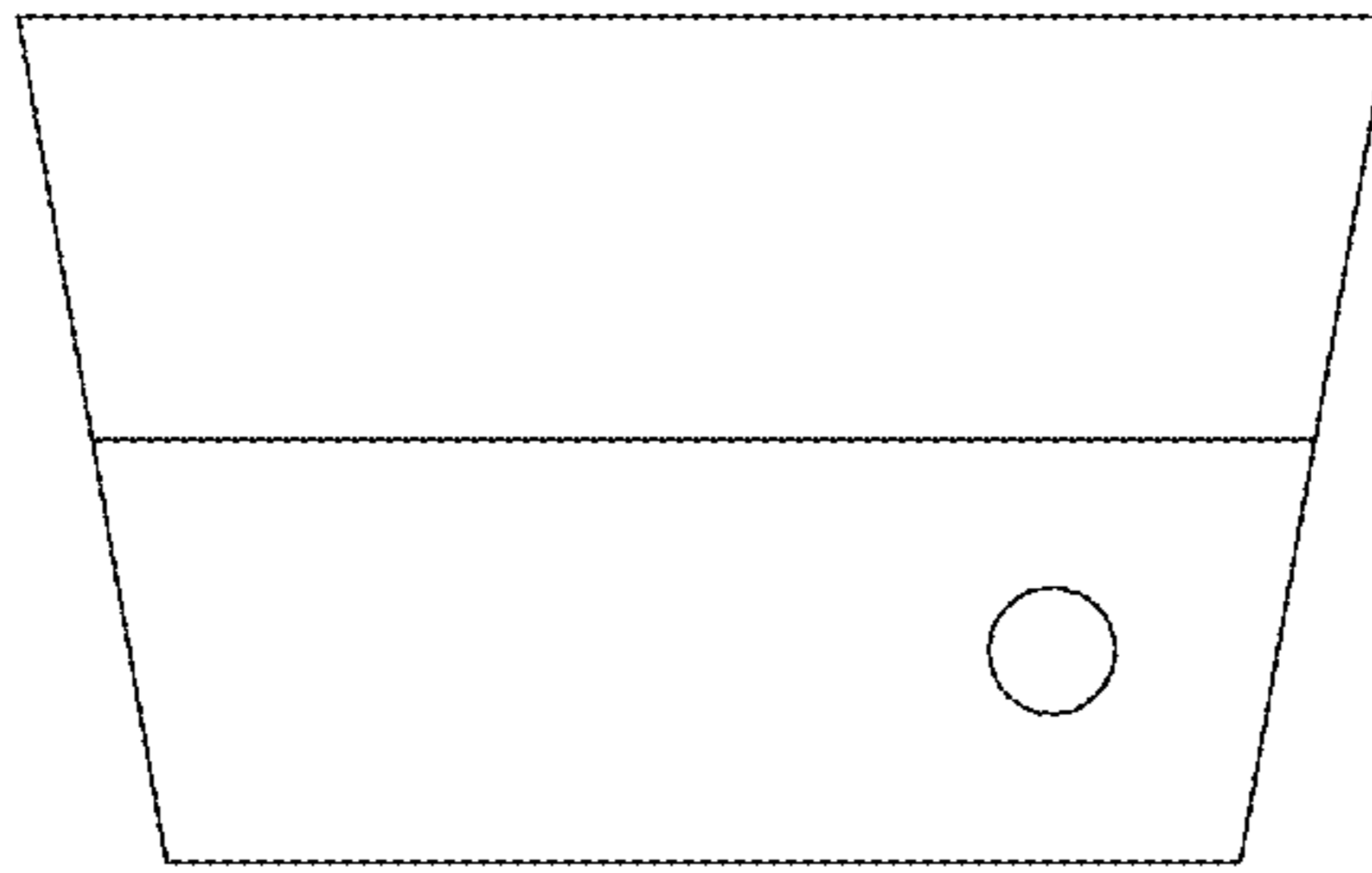


FIG. 5

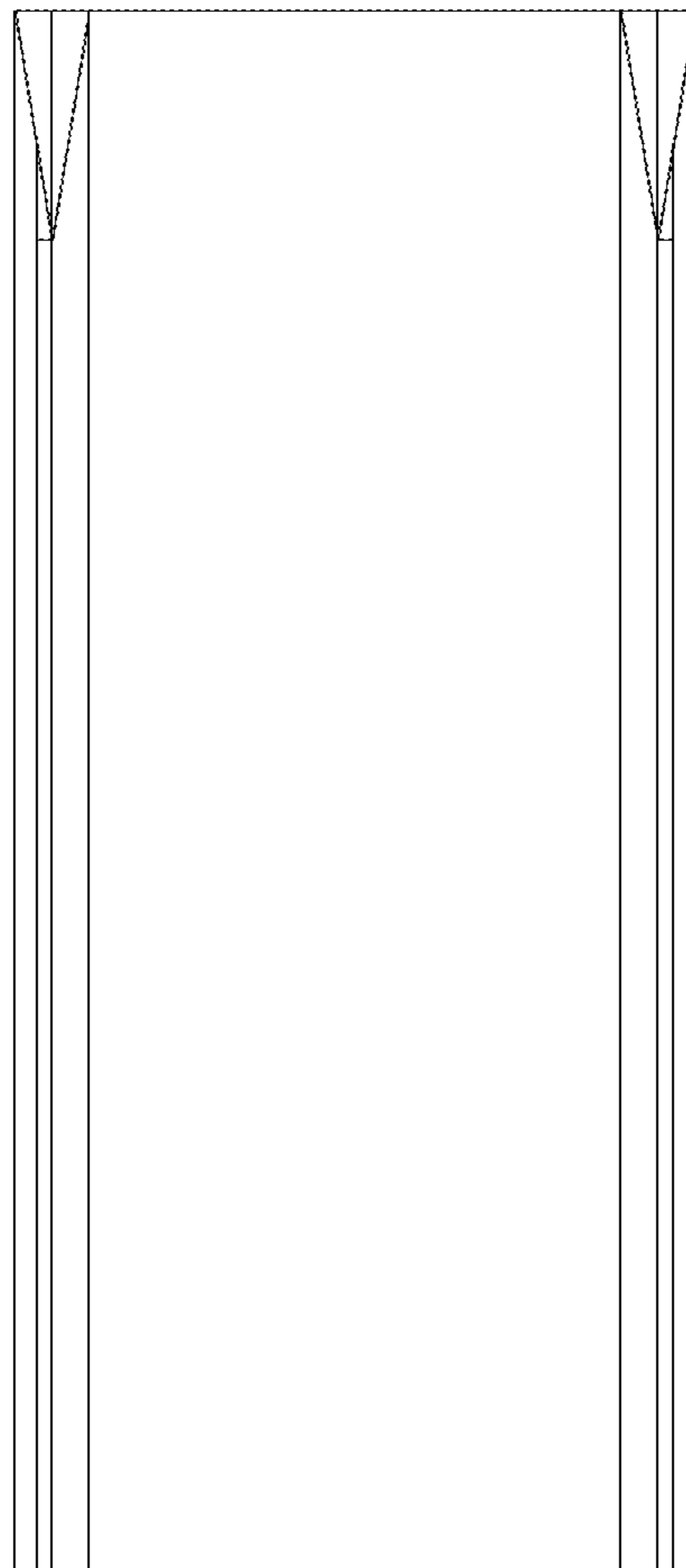


FIG. 6



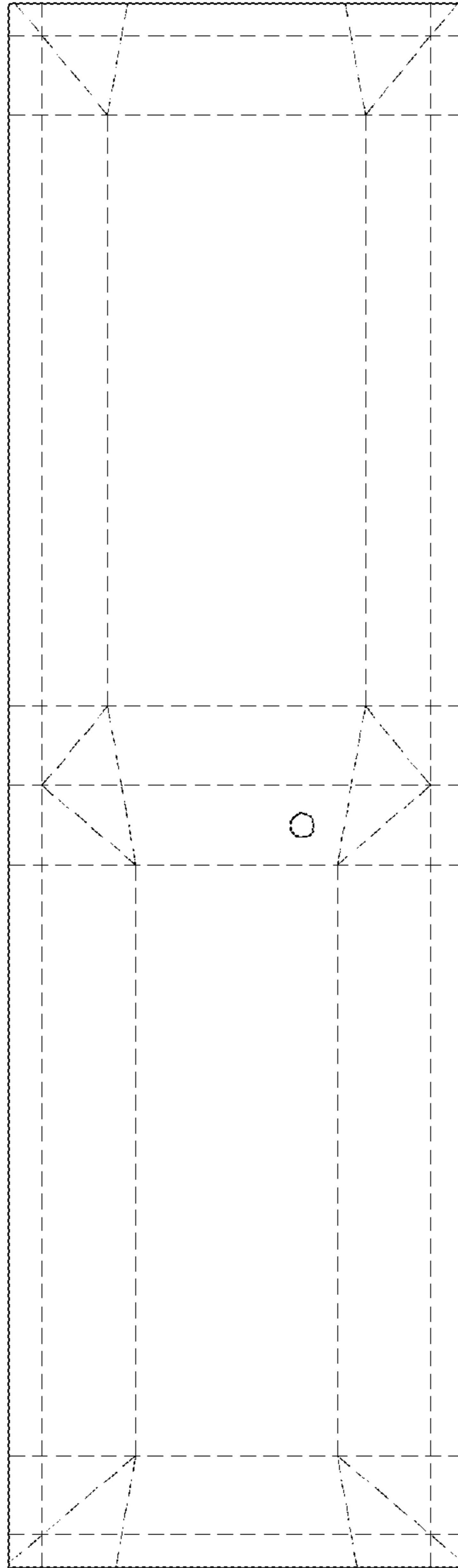


FIG. 7