



US00D852615S

(12) **United States Design Patent**
Schloss

(10) **Patent No.:** **US D852,615 S**

(45) **Date of Patent:** **** Jul. 2, 2019**

(54) **EDGE TOOLBOX BOTTOM GUARD**

(71) Applicant: **Ben Schloss**, Belmont, CA (US)

(72) Inventor: **Ben Schloss**, Belmont, CA (US)

(**) Term: **15 Years**

(21) Appl. No.: **29/574,289**

(22) Filed: **Aug. 13, 2016**

(51) **LOC (11) Cl.** **08-09**

(52) **U.S. Cl.**
USPC **D8/403**

(58) **Field of Classification Search**
USPC D8/403; D25/118, 119; D20/42, 43, 44
CPC .. E05F 5/06; E05Y 2900/531; E05Y 2201/21;
E05C 17/203; E05C 17/36; B65D 5/5033
See application file for complete search history.

(56) **References Cited**

U.S. PATENT DOCUMENTS

D415,412 S *	10/1999	Chavers	D8/403
D457,658 S *	5/2002	Harel	D25/121
D462,259 S *	9/2002	Williams	D8/403
D529,290 S *	10/2006	Schloss	D3/318
D557,432 S *	12/2007	Smith	D25/136
D616,113 S *	5/2010	Budzik	D25/121
D623,509 S *	9/2010	Schloss	D8/403
D635,847 S *	4/2011	Olsson	D8/403
D637,858 S *	5/2011	Overstreet	D6/607
D643,709 S *	8/2011	Olsson	D8/403
8,795,106 B2 *	8/2014	Guertin	A63B 71/0054 473/471
D715,633 S *	10/2014	Baker	D8/403
D771,485 S *	11/2016	Bartleet	D8/403
2006/0081496 A1 *	4/2006	Carter	B65D 81/053 206/586
2015/0076305 A1 *	3/2015	Brandt	B25H 3/02 248/345.1

OTHER PUBLICATIONS

Matco tool box kick plate stainless, website page, copyright 2013-2014, 4 pages (2 pages showing website, 2 pages of images downloaded from site on Apr. 12, 2017), USA Vehicles Used Car Search Engine, USA.

* cited by examiner

Primary Examiner — Janice Hallmark

Assistant Examiner — Harold E Blackwell, II

(74) *Attorney, Agent, or Firm* — James R. Cypher;
Charles R. Cypher

(57) **CLAIM**

The ornamental design for an edge toolbox bottom guard, as shown and described.

DESCRIPTION

FIG. 1 is an upper right, front perspective view of a edge toolbox bottom guard showing my new design.

FIG. 2 is a bottom left perspective view of the edge toolbox bottom guard of FIG. 1.

FIG. 3 is a front elevation view of the edge toolbox bottom guard of FIG. 1.

FIG. 4 is an end view of the edge toolbox bottom guard of FIG. 1. The end view of the other end is the same.

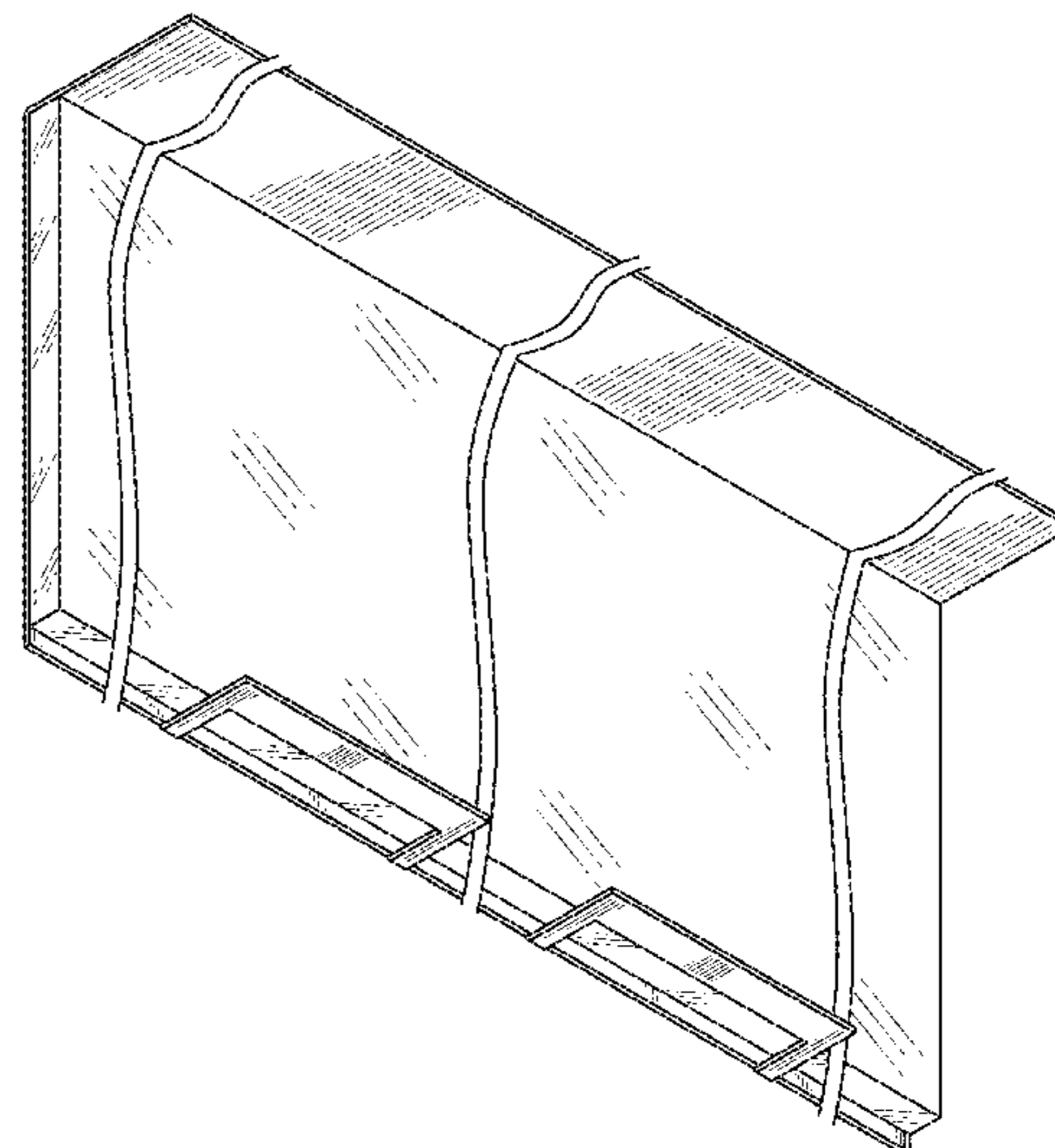
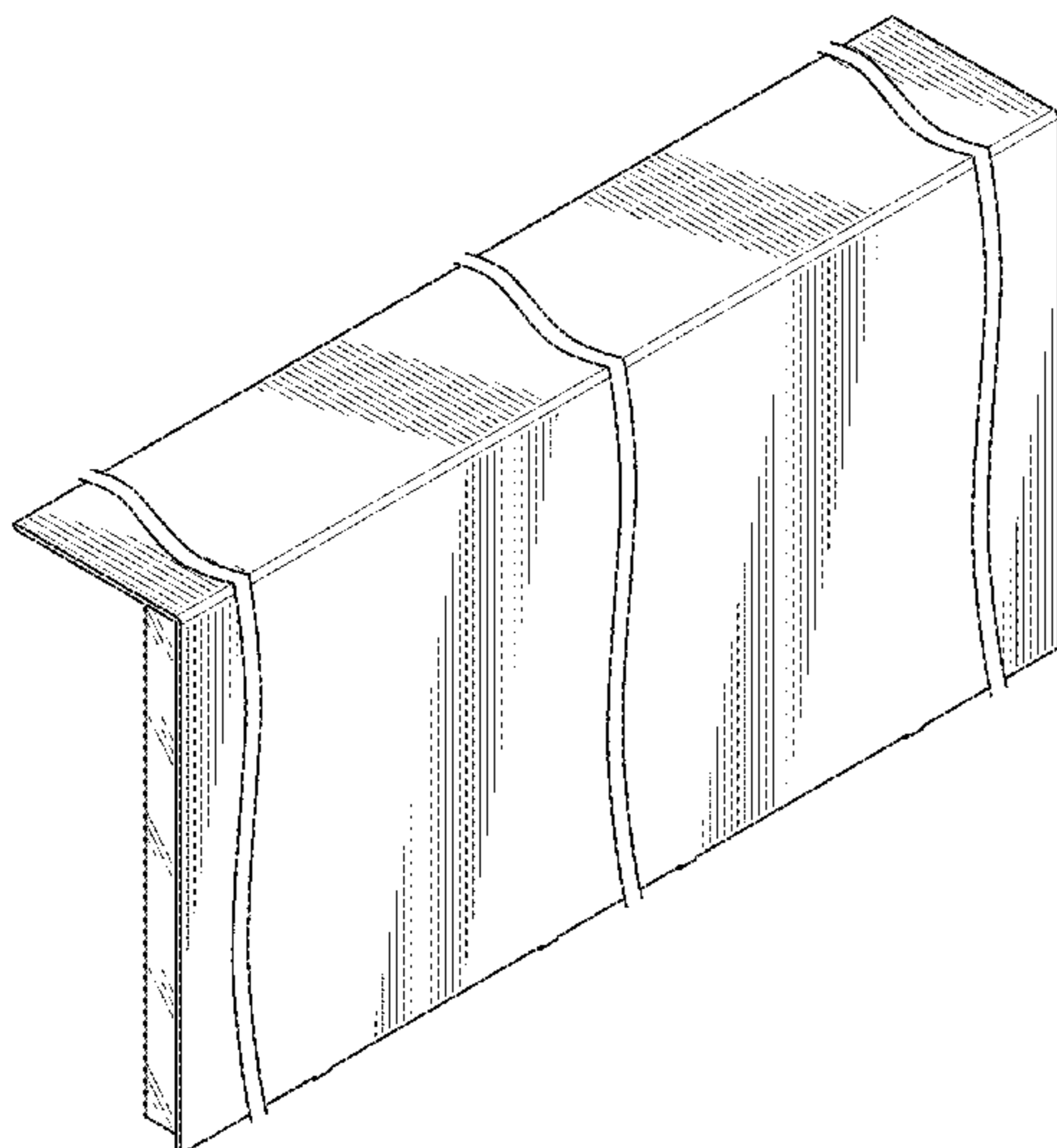
FIG. 5 is a rear elevation view of the edge toolbox bottom guard of FIG. 1.

FIG. 6 is a top plan view of the edge toolbox bottom guard of FIG. 1; and,

FIG. 7 is a bottom plan view of the edge toolbox bottom guard of FIG. 1.

The edge toolbox bottom guard is shown with a symbolic break in its length. The appearance of any portion of the article between the break lines forms no part of the claimed design.

1 Claim, 6 Drawing Sheets



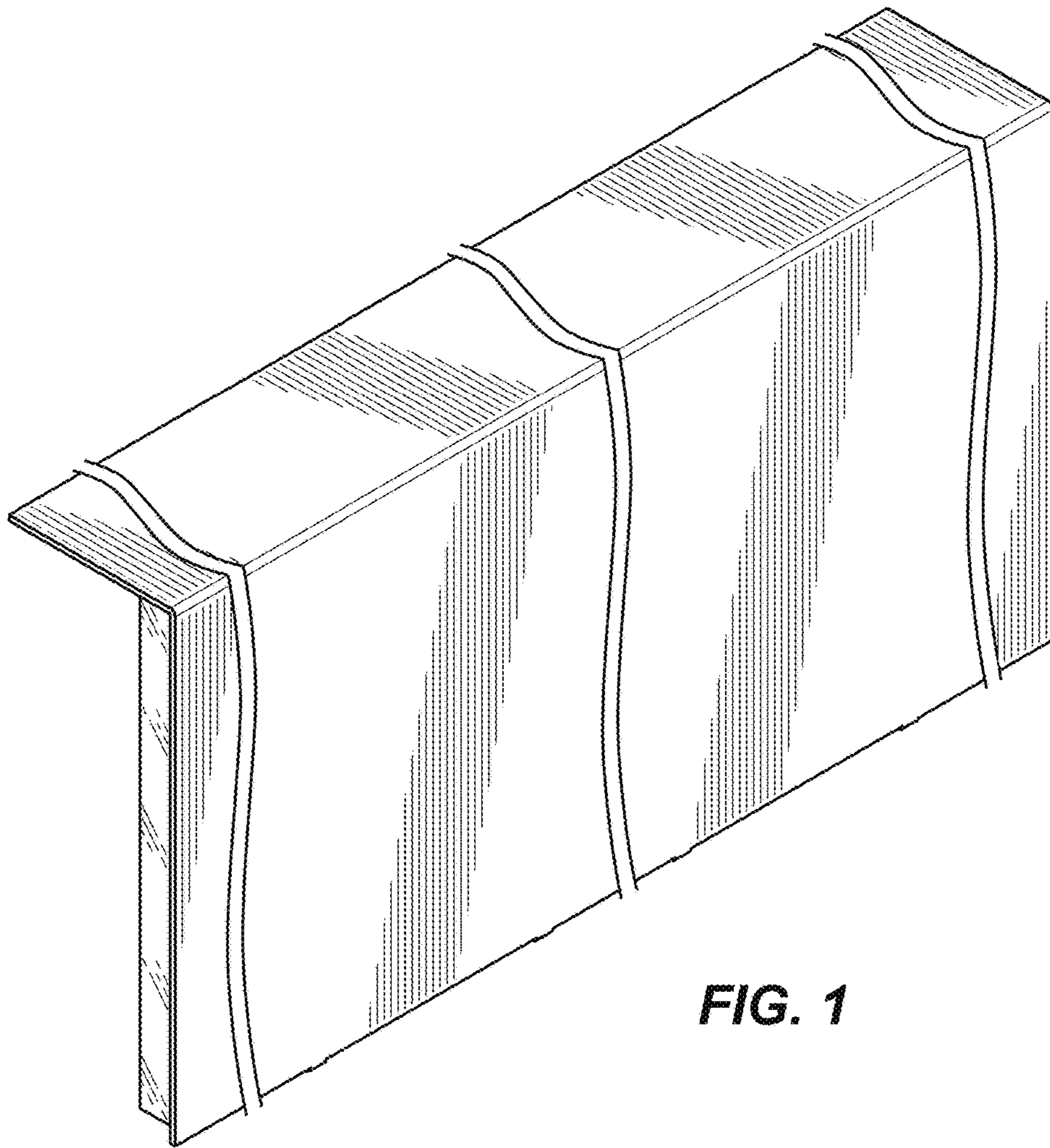


FIG. 1

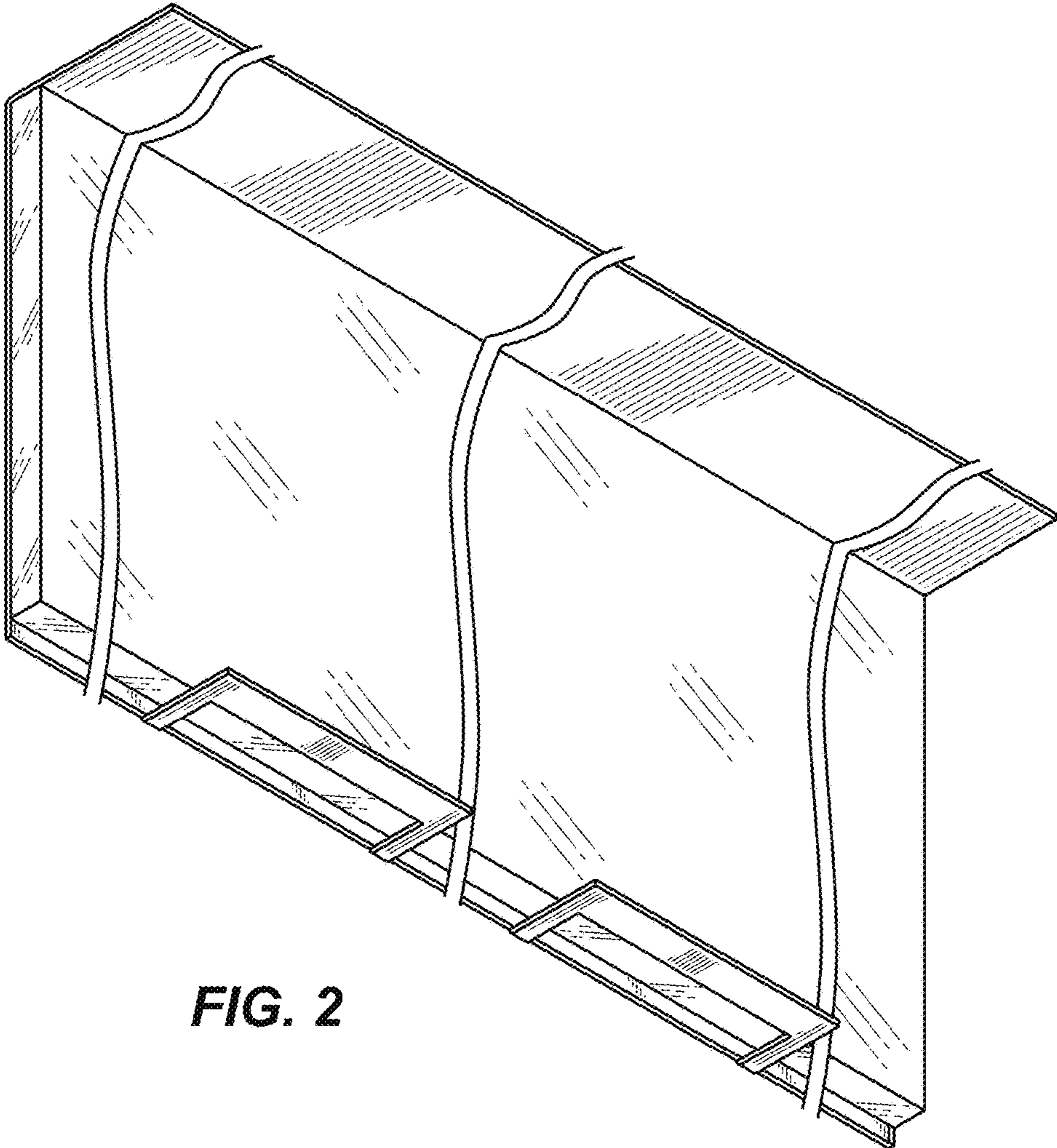


FIG. 2

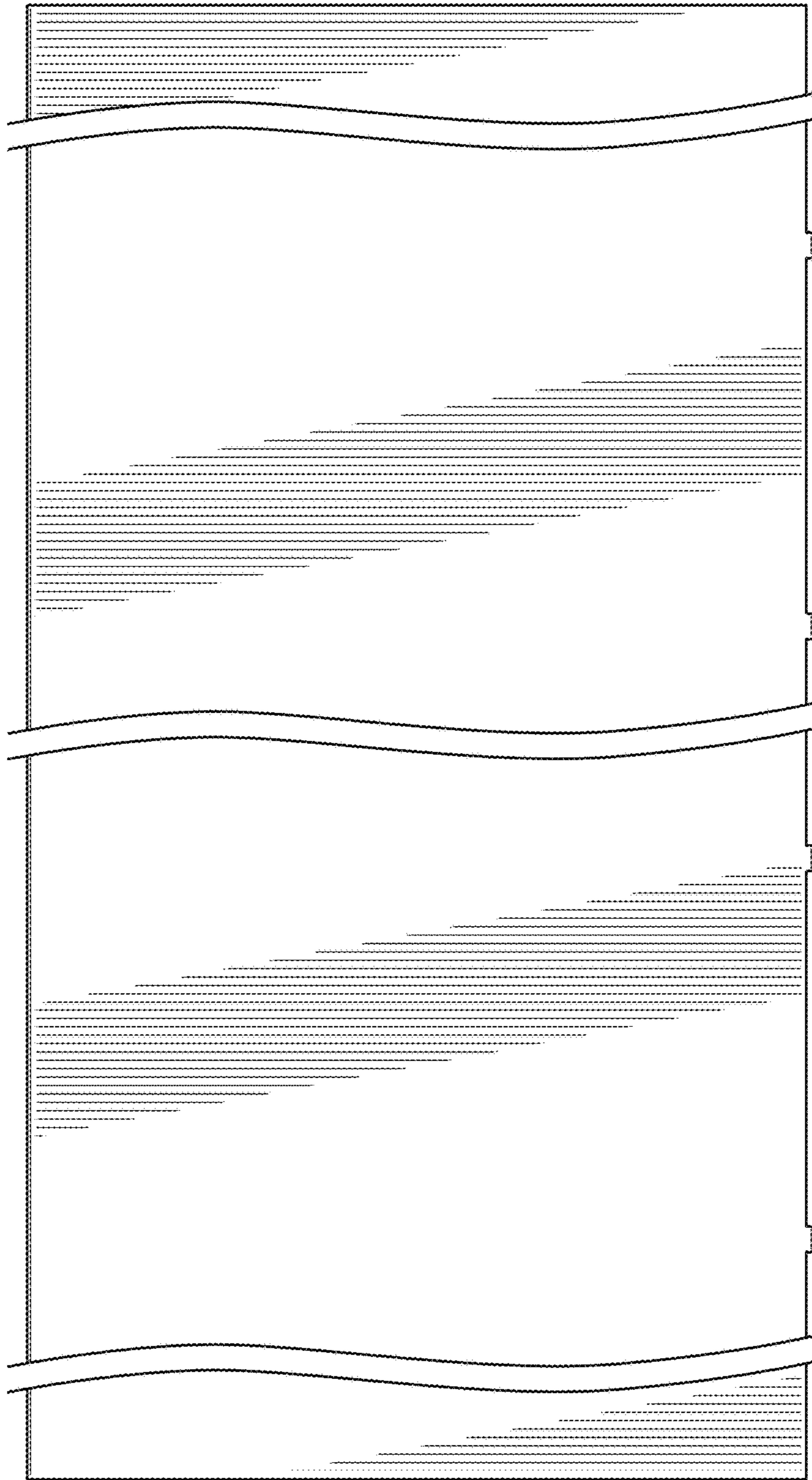


FIG. 3

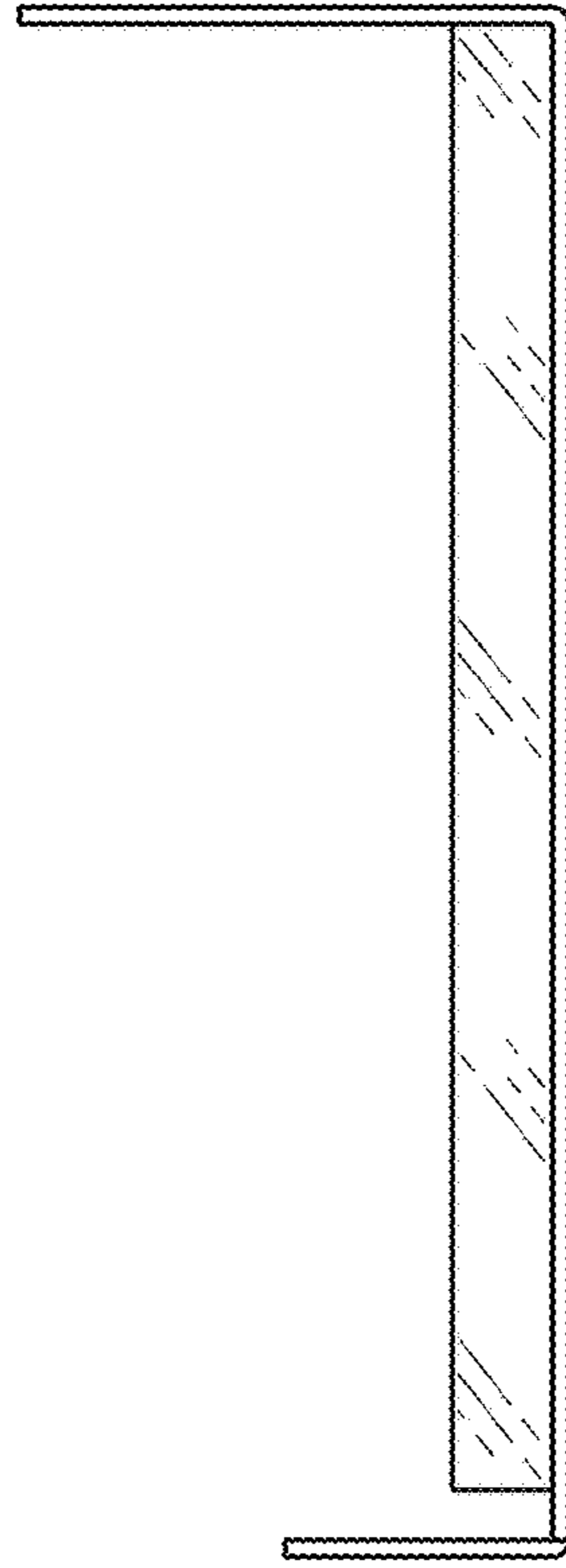


FIG. 4

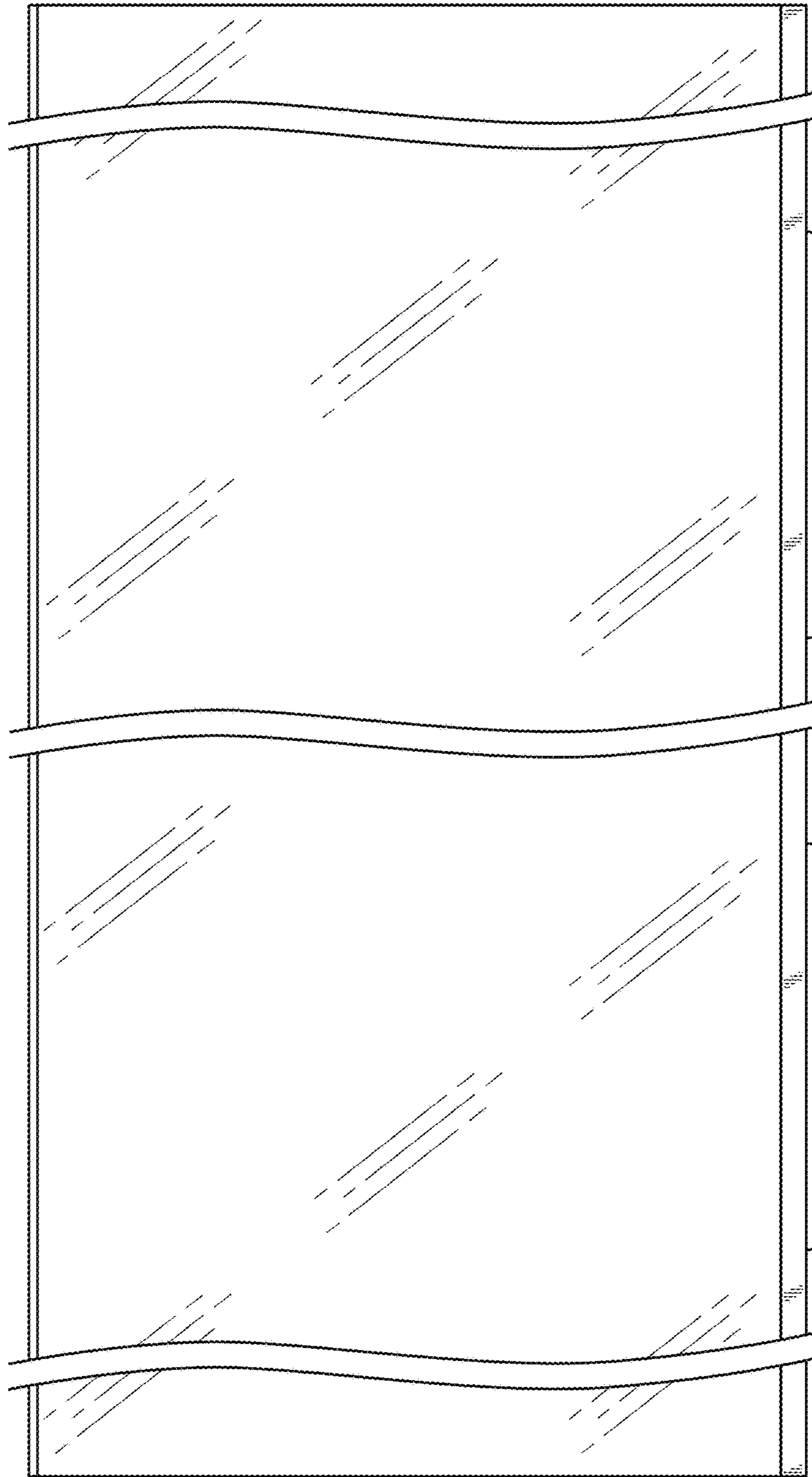


FIG. 5

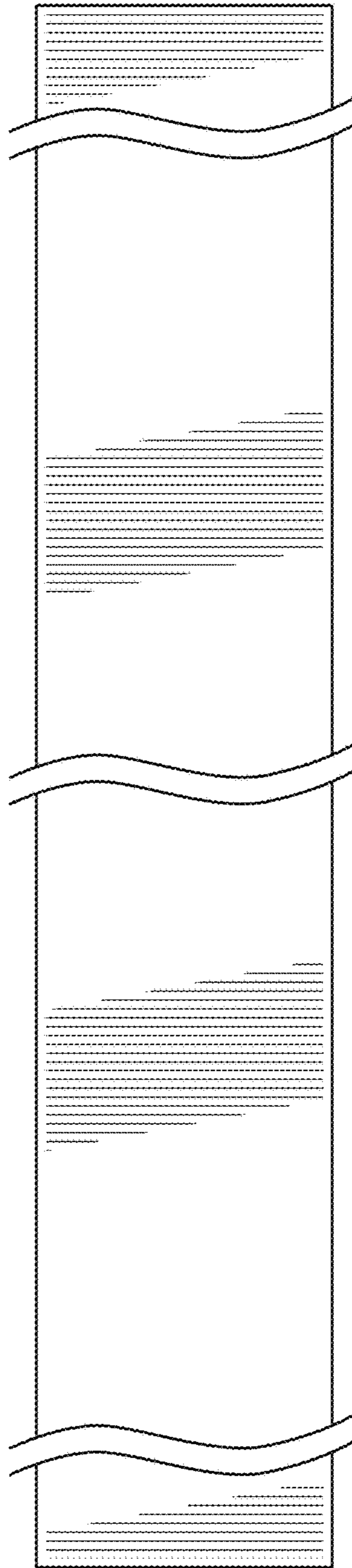


FIG. 6

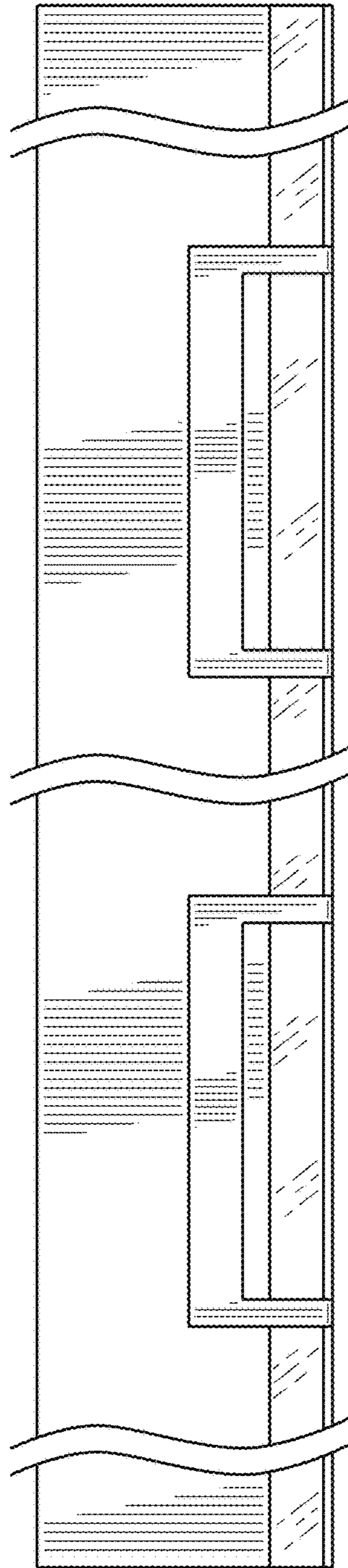


FIG. 7