



US00D852613S

(12) **United States Design Patent**
Kellum, III

(10) **Patent No.:** **US D852,613 S**
(45) **Date of Patent:** **** Jul. 2, 2019**

(54) **TOP GUIDE FOR A WINDOW BALANCE**

(71) Applicant: **Amesbury Group, Inc.**, Amesbury, MA (US)

(72) Inventor: **Wilbur James Kellum, III**, Garretson, SD (US)

(73) Assignee: **AMESBURY GROUP, INC.**, Amesbury, MA (US)

(**) Term: **15 Years**

(21) Appl. No.: **29/627,779**

(22) Filed: **Nov. 29, 2017**

(51) **LOC (11) Cl.** **08-09**

(52) **U.S. Cl.**
USPC **D8/400**

(58) **Field of Classification Search**
USPC D8/321, 380, 381, 400, 373, 354;
16/193, 197; 49/445, 447
CPC E05C 17/64; E05C 17/00; E05D 15/22;
E05D 15/16
See application file for complete search history.

(56) **References Cited**

U.S. PATENT DOCUMENTS

3,688,441	A	9/1972	Rackard	
D313,170	S	12/1990	Nye	
6,622,342	B1	9/2003	Annes	
6,679,000	B2	1/2004	Uken	
7,024,821	B2 *	4/2006	Lu	E06B 3/50 49/158
7,069,621	B2 *	7/2006	Malek	E05D 13/1207 16/194
7,155,778	B2 *	1/2007	Newman	E05D 13/04 16/197
7,191,562	B2	3/2007	Uken	
7,735,192	B2	6/2010	deNormand	
8,296,903	B1 *	10/2012	Steen	E05D 13/12 16/197

(Continued)

OTHER PUBLICATIONS

Spring balance window channel-2740 BS1, Swisco, posted at www.swisco.com on Mar. 14, 2013, © 2017 SWISCO.com, [online],

site visited Jul. 17, 2017. Available from Internet, <URL:http://www.swisco.com/discussions/Spring-balance-windowchannel-2740-BS1-77-25553>, 4 pages.

(Continued)

Primary Examiner — Janice Hallmark

Assistant Examiner — Harold E Blackwell, II

(57) **CLAIM**

The ornamental design for a top guide for a window balance, as shown and described.

DESCRIPTION

FIG. 1 is a perspective view of a top guide for a window balance, as incorporated into a window balance, showing my new design.

FIG. 2 is a perspective view of the top guide for a window balance of FIG. 1.

FIG. 3 is a front elevation view of the top guide for a window balance of FIG. 1.

FIG. 4 is a back elevation view of the top guide for a window balance of FIG. 1.

FIG. 5 is a right elevation view of the top guide for a window balance of FIG. 1.

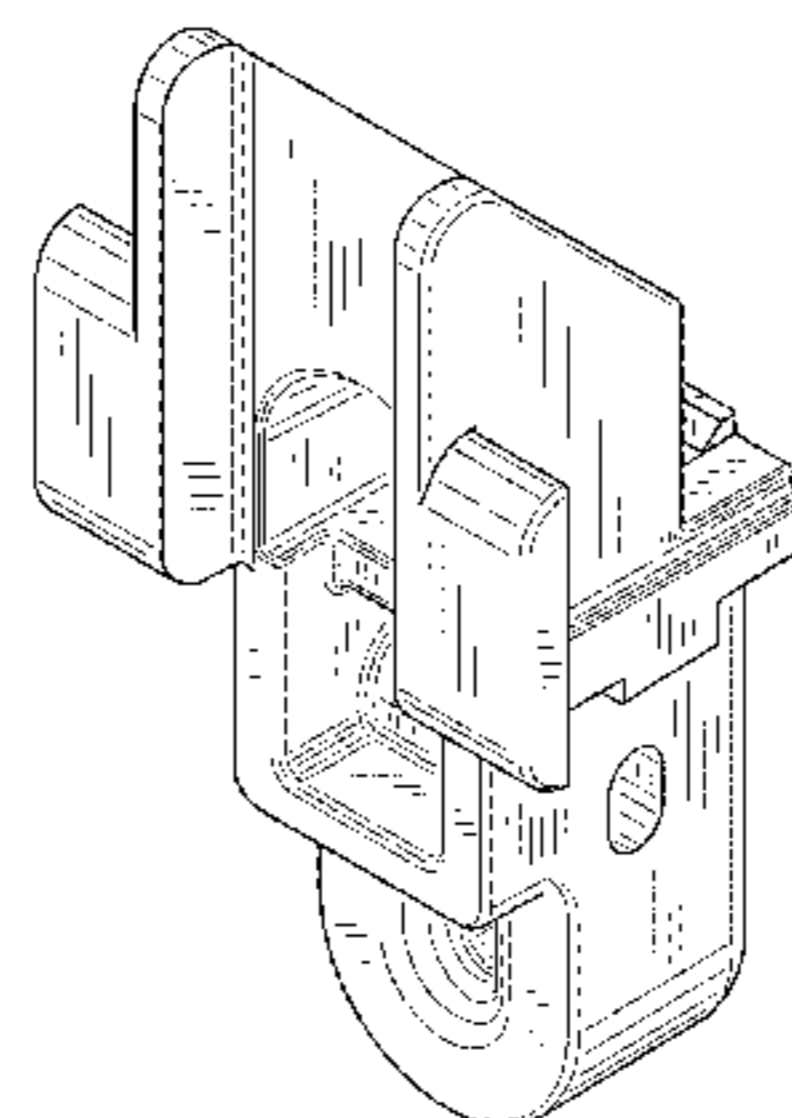
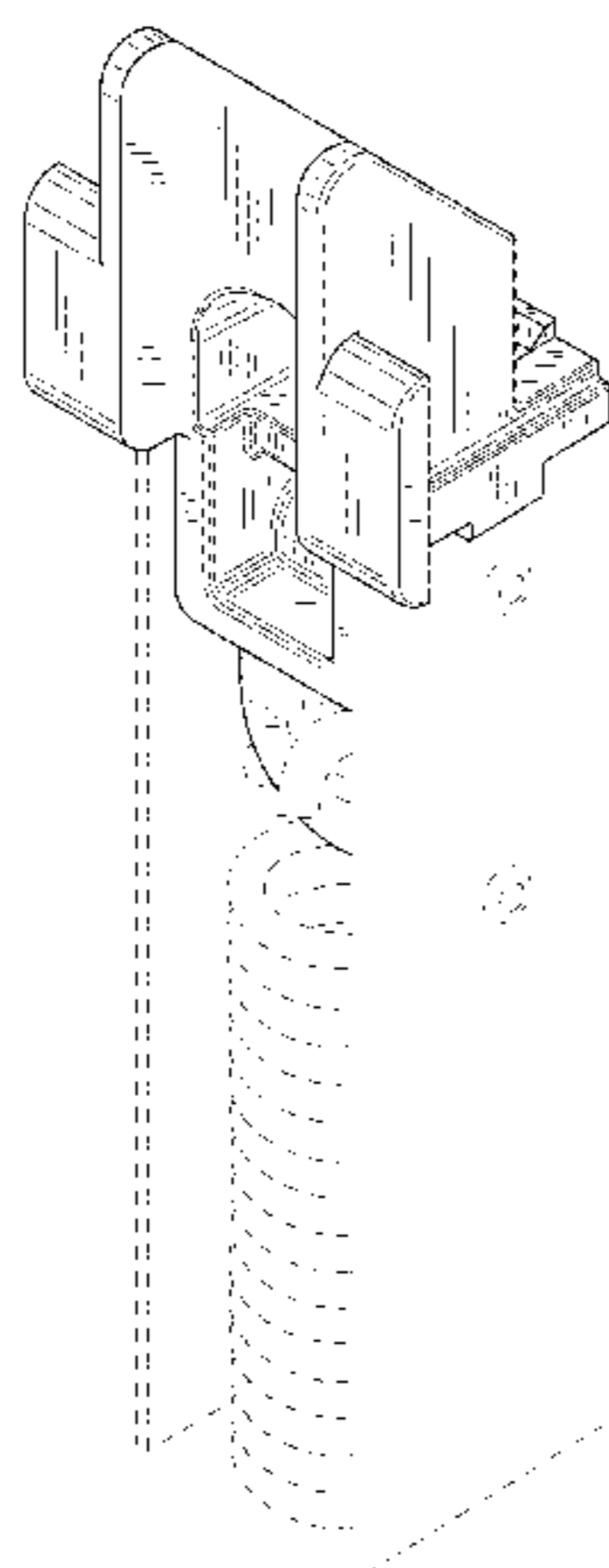
FIG. 6 is a left elevation view of the top guide for a window balance of FIG. 1.

FIG. 7 is a top plan view of the top guide for window a balance of FIG. 1; and,

FIG. 8 is a bottom plan view of the top guide for a window balance of FIG. 1.

The broken lines depict environmental portions of the top guide for a window balance and form no part of the claimed design.

1 Claim, 7 Drawing Sheets



(56)

References Cited

U.S. PATENT DOCUMENTS

8,539,642	B2 *	9/2013	Baker	E05D 13/1276 16/193
8,561,260	B2 *	10/2013	Baker	E05D 13/1276 16/193
D719,437	S	12/2014	Atkins		
D735,726	S	8/2015	Chen		
D735,770	S	8/2015	Schaffert		
9,482,016	B2	11/2016	Kelley		
9,580,950	B2	2/2017	Uken		
D781,137	S	3/2017	Ezra		
D789,191	S	6/2017	Webb		
D789,192	S	6/2017	Webb		
D804,487	S	12/2017	Theis		
9,856,685	B1	1/2018	Kelley		
9,863,176	B2	1/2018	Kellum, III		
D820,077	S *	6/2018	Kellum III	D8/400
2008/0086840	A1 *	4/2008	deNormand	E05D 13/04 16/193
2017/0211305	A1	7/2017	Uken		
2017/0370138	A1	12/2017	Uken		
2018/0002960	A1	1/2018	Kelley		

OTHER PUBLICATIONS

Top Bracket 60-508, 61 Series, Window Balances.com, catalog cut sheet posted at www.window-balances.com, posting date not given, © 2017 Window-Balances.com, [online], site visited Jul. 17, 2017. Available from Internet, <URL: <http://www.window-balances.com/wp-content/uploads/2015/09/61-series1.pdf>>, 7 pages.

Top Guide 57-500, 57 Series Non-Tilt Balances, Window Balances.com, catalog cut sheet posted at www.window-balances.com, posting date not given, © 2017 Window-Balances.com, [online], site visited Jul. 17, 2017. Available from Internet, <URL: <http://www.window-balances.com/wp-content/uploads/2015/09/57-and-58-series.pdf>>, 1 page.

Take-Out Balance—Side load B&T, 130 Series, Amesbury, catalog cut sheet posted at amesbury.com, posting date not given, © 2013 Amesbury Group, [online], site visited Jul. 17, 2017. Available from Internet, <URL: <http://www.amesbury.com/divisions/hardware-products/parts/49/4177>>, 1 page.

Take-Out Balance—Top Guides (winged), Side Load Take Out, 130 Series, Amesbury, catalog cut sheet posted at amesbury.com, posting date not given, © 2013 Amesbury Group, [online], site visited Jul. 17, 2017. Available from Internet, <URL: <http://www.amesbury.com/downloads/pdf/side-load-take-out.pdf>>.

* cited by examiner

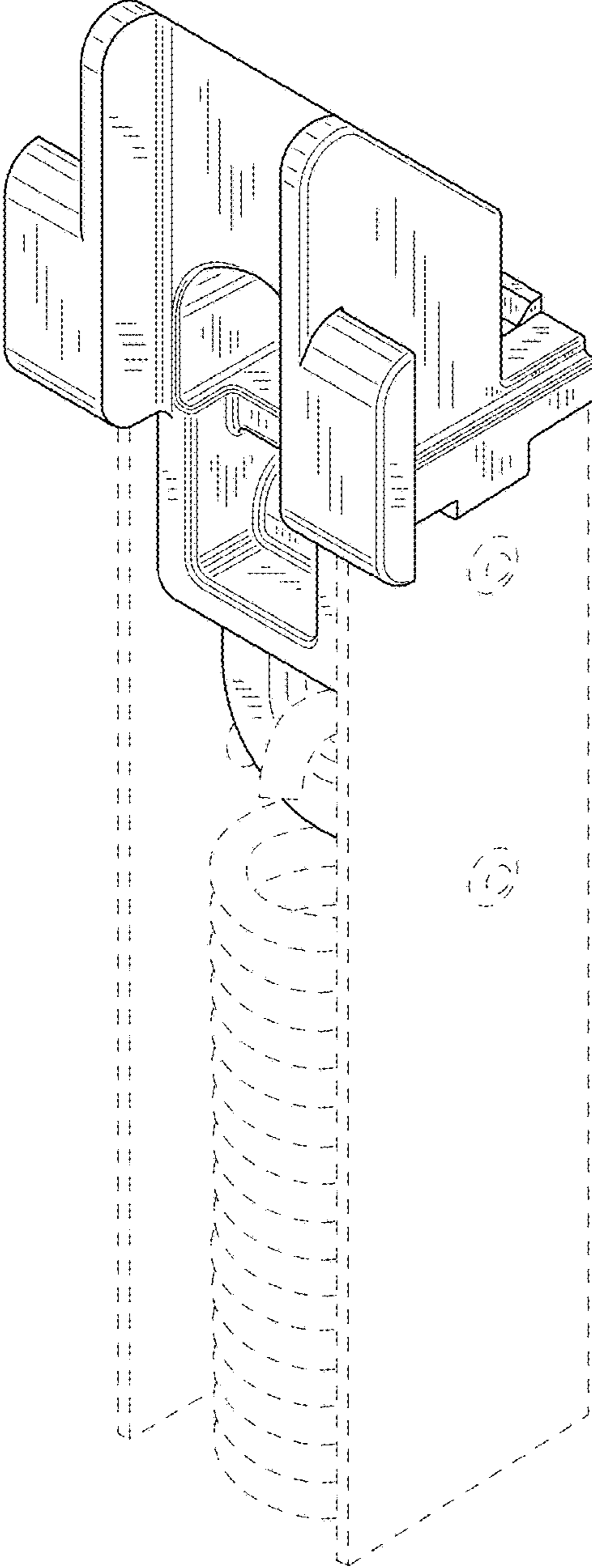


FIG.1

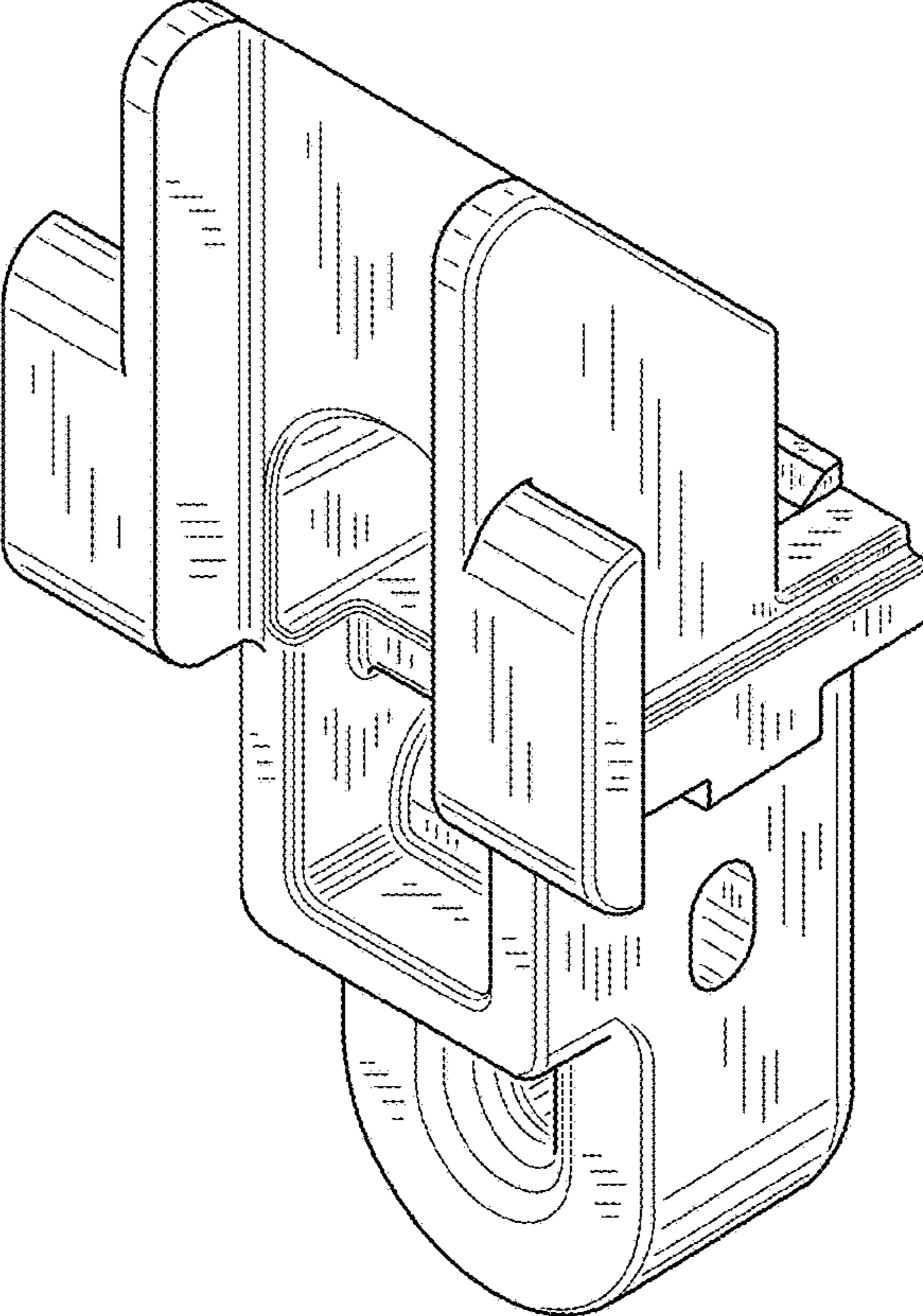


FIG.2

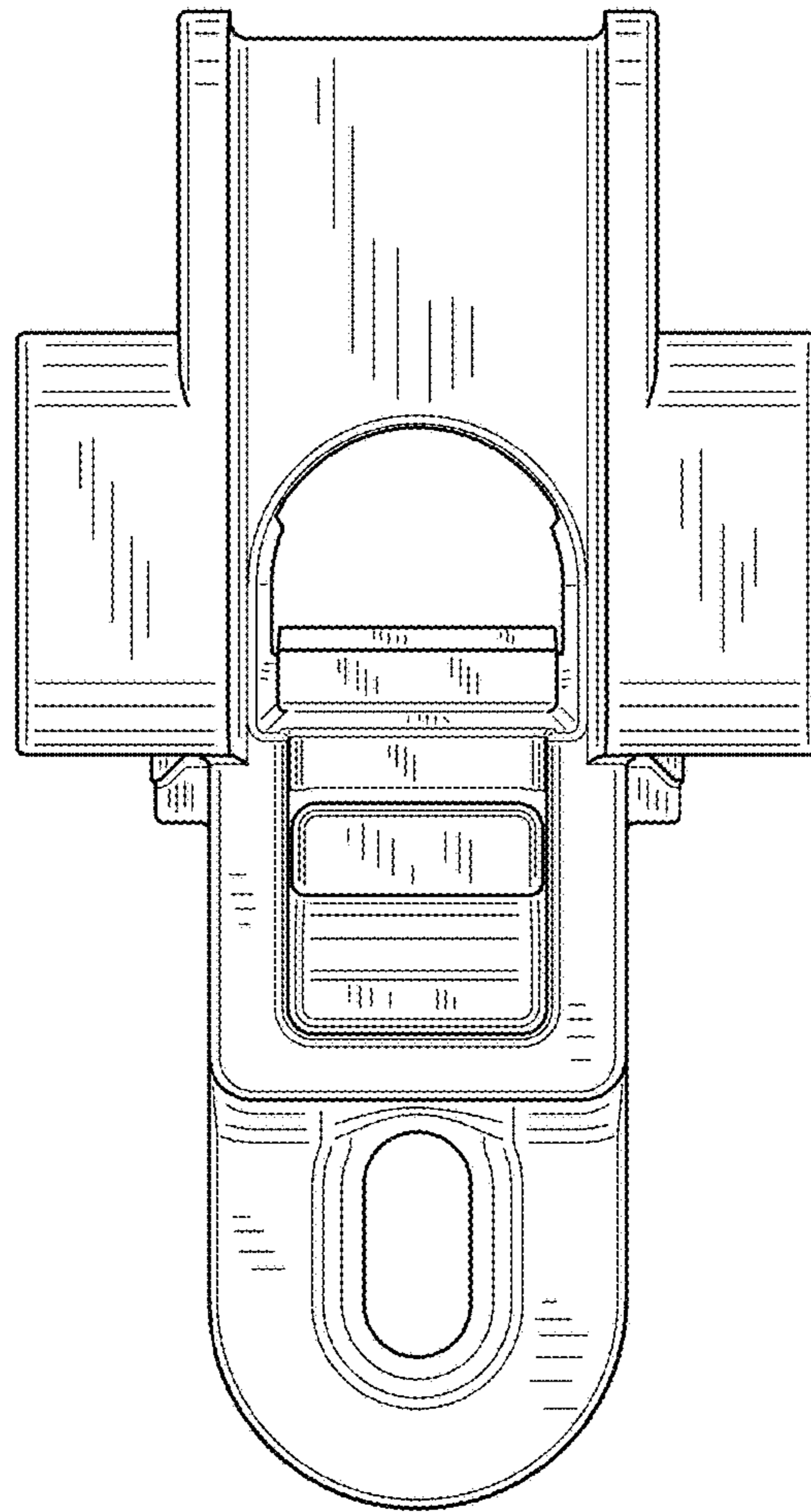


FIG.3

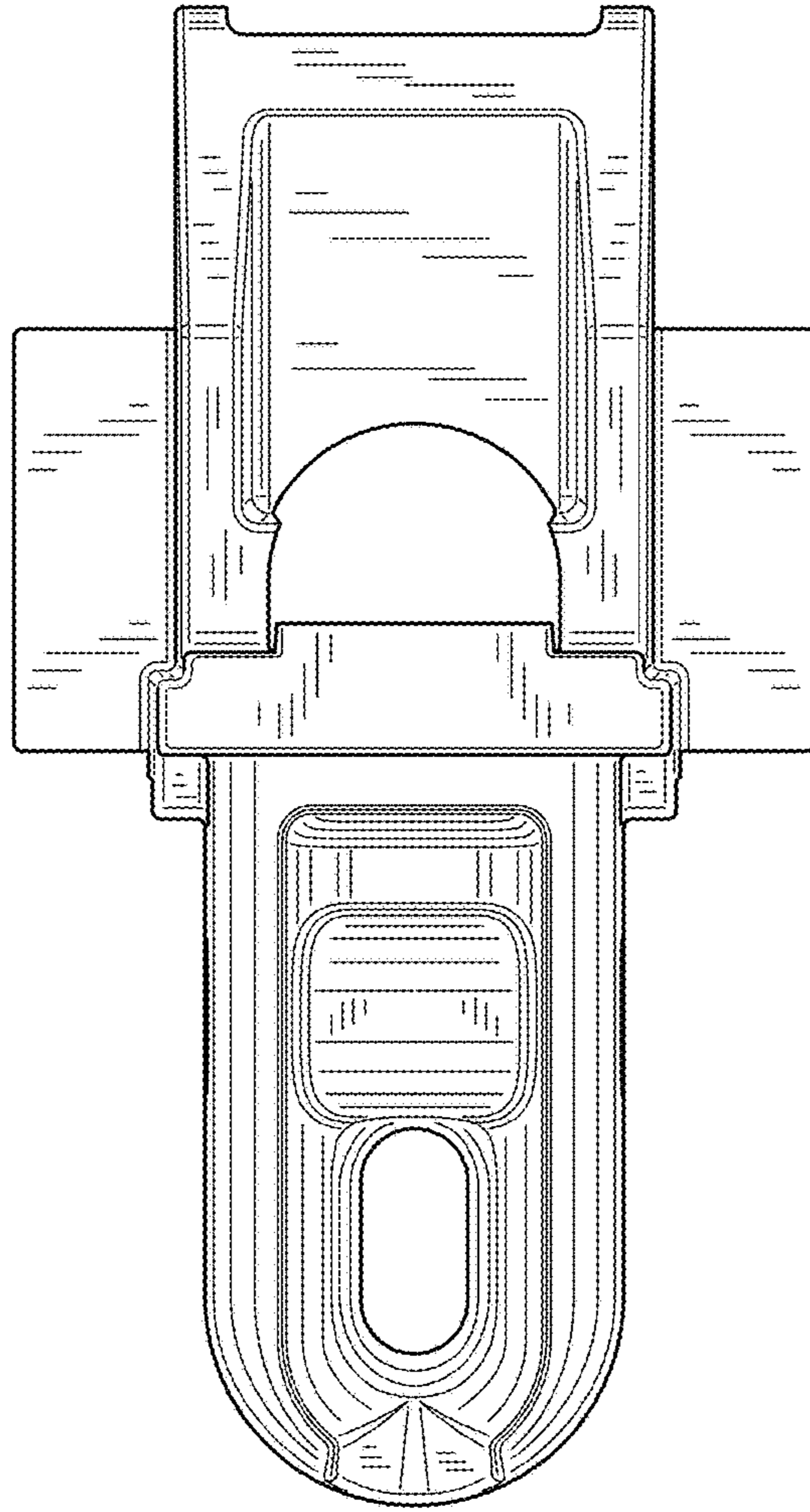


FIG.4

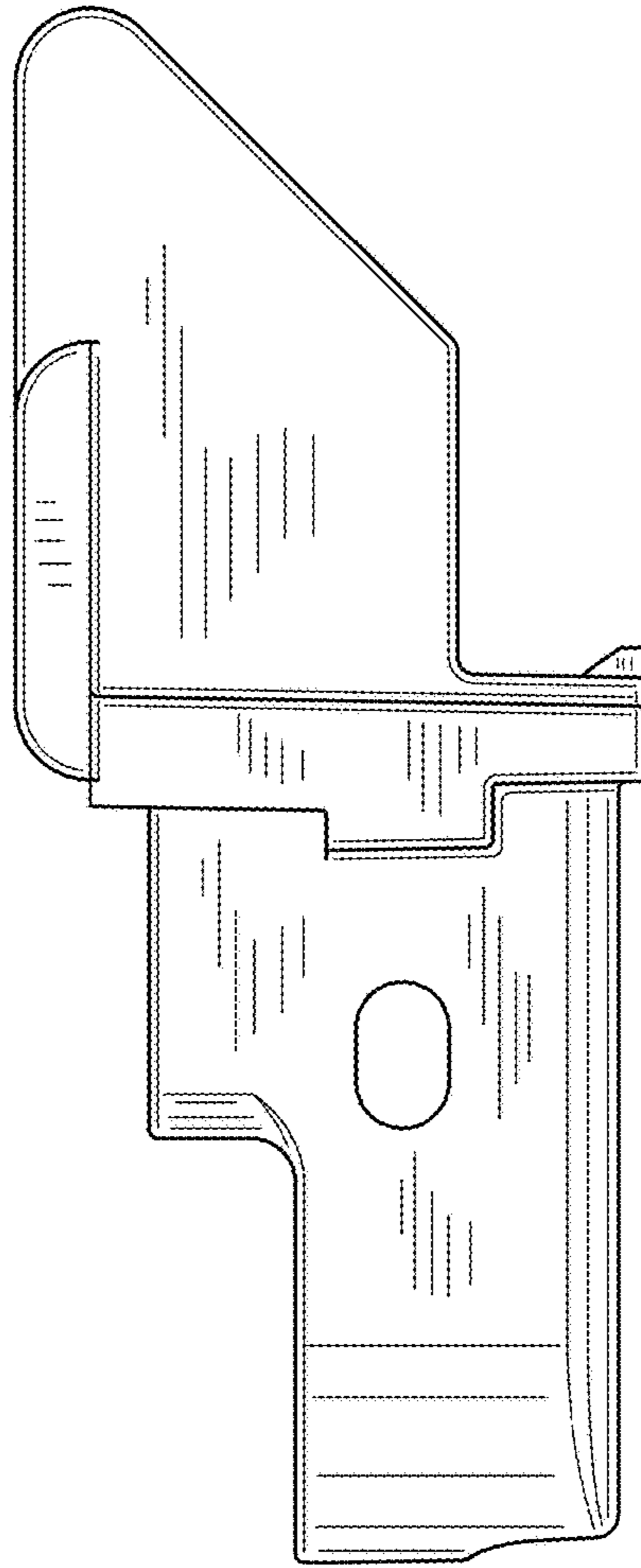


FIG.5

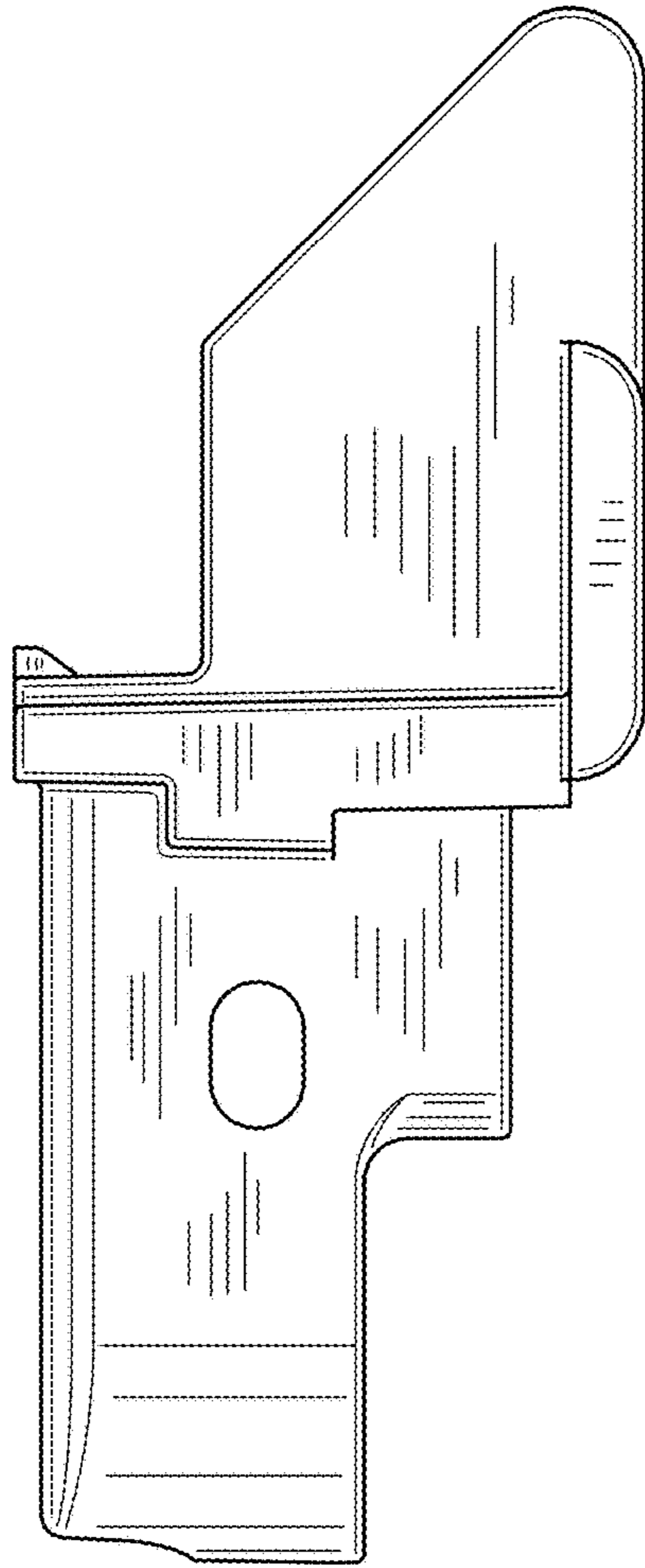


FIG.6

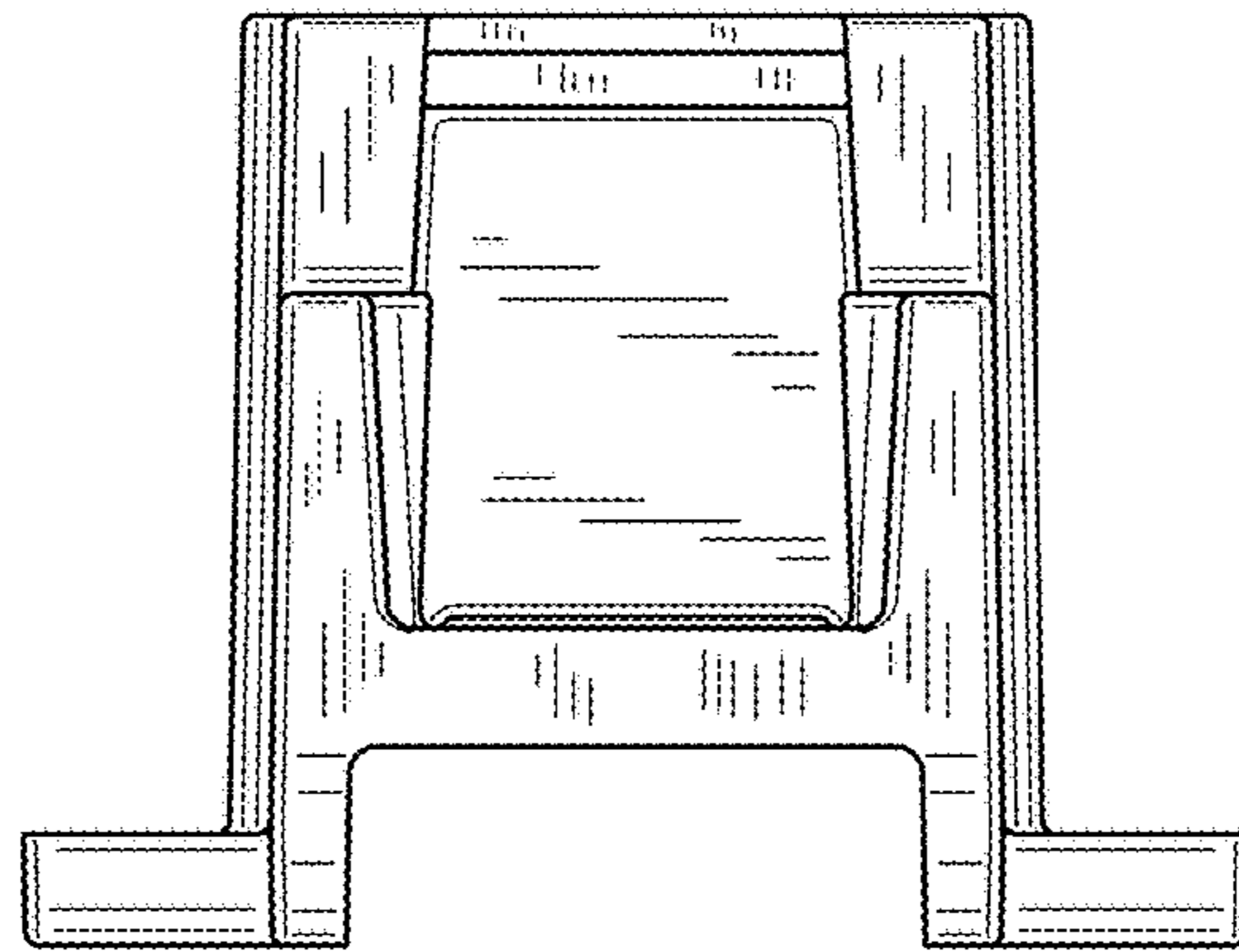


FIG.7

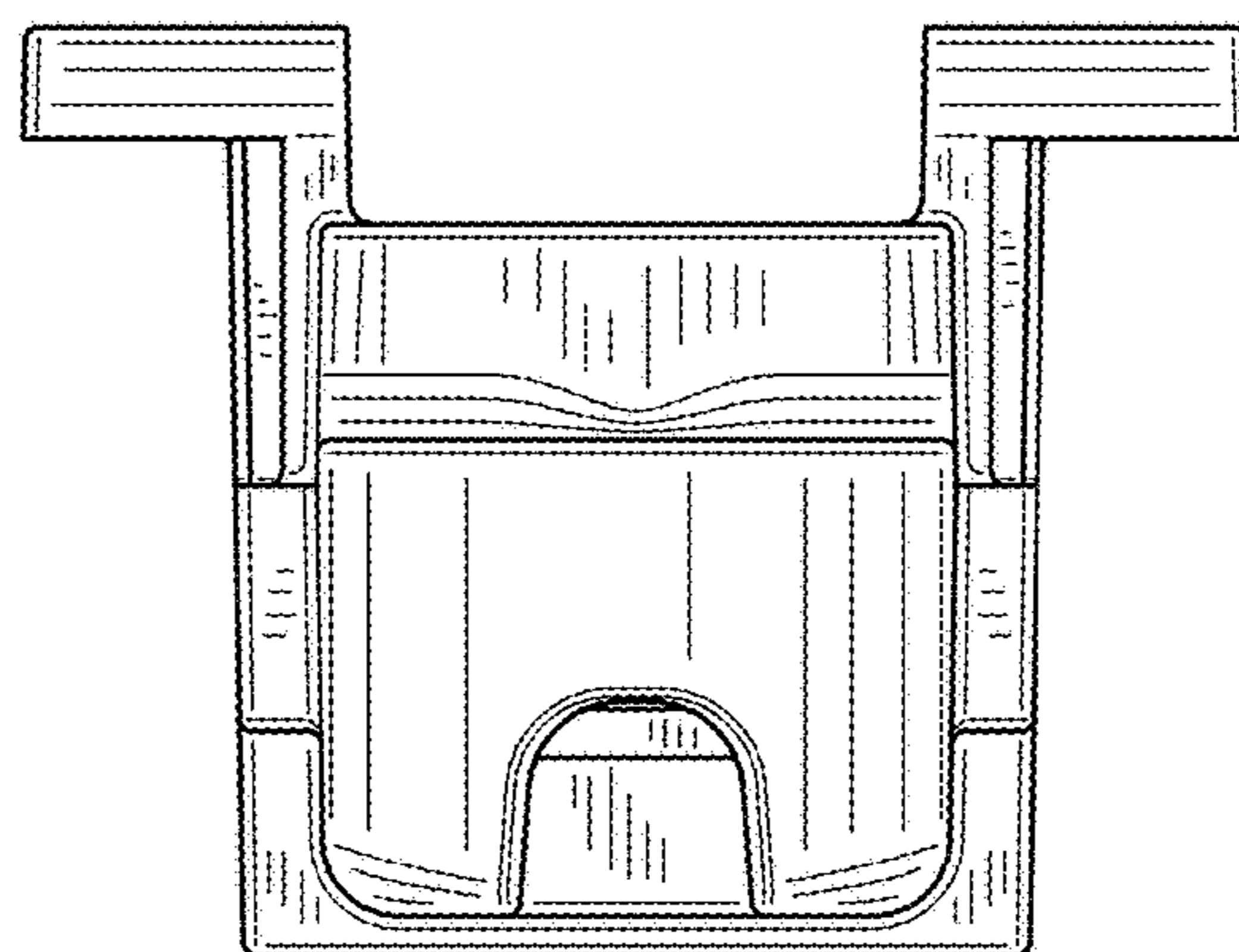


FIG.8