



US00D852611S

(12) **United States Design Patent** (10) **Patent No.:** **US D852,611 S**
Shoenhair (45) **Date of Patent:** **** Jul. 2, 2019**

(54) **HOOK RAIL**
(71) Applicant: **THE HILLMAN GROUP, INC.,**
Cincinnati, OH (US)
(72) Inventor: **Jordan D. Shoenhair,** Tempe, AZ (US)
(73) Assignee: **THE HILLMAN GROUP, INC.,**
Cincinnati, OH (US)
(**) Term: **15 Years**
(21) Appl. No.: **29/576,450**
(22) Filed: **Sep. 2, 2016**
(51) **LOC (11) Cl.** **08-05**
(52) **U.S. Cl.**
USPC **D8/367**
(58) **Field of Classification Search**
USPC D8/354, 355, 323, 372, 367, 376, 349,
D8/363, 370, 371, 382, 373, 44, 16, 19;
D6/550, 323; D11/208
CPC A47G 25/0607
See application file for complete search history.

D453,271 S 2/2002 Gilbert et al.
D456,150 S 4/2002 Moore
D462,844 S 9/2002 Chou
D465,096 S 11/2002 Ouyoung
D465,340 S 11/2002 Hoernig
D465,661 S 11/2002 Hoernig
D472,060 S 3/2003 Hoernig
D477,150 S 7/2003 Hoernig
D478,731 S 8/2003 Hoernig
D485,156 S 1/2004 Moore
D496,258 S 9/2004 Fields
D500,602 S 1/2005 Solowiej
D505,274 S * 5/2005 Lai D6/323
D526,132 S 8/2006 Solowiej
D526,493 S 8/2006 Fields
D526,494 S 8/2006 Fields
D532,982 S 12/2006 Chang et al.
D535,110 S 1/2007 Hoernig
D542,038 S 5/2007 Tau

(Continued)

Primary Examiner — Eliza Z Bennett-Hattan
(74) *Attorney, Agent, or Firm* — Thompson Hine L.L.P.

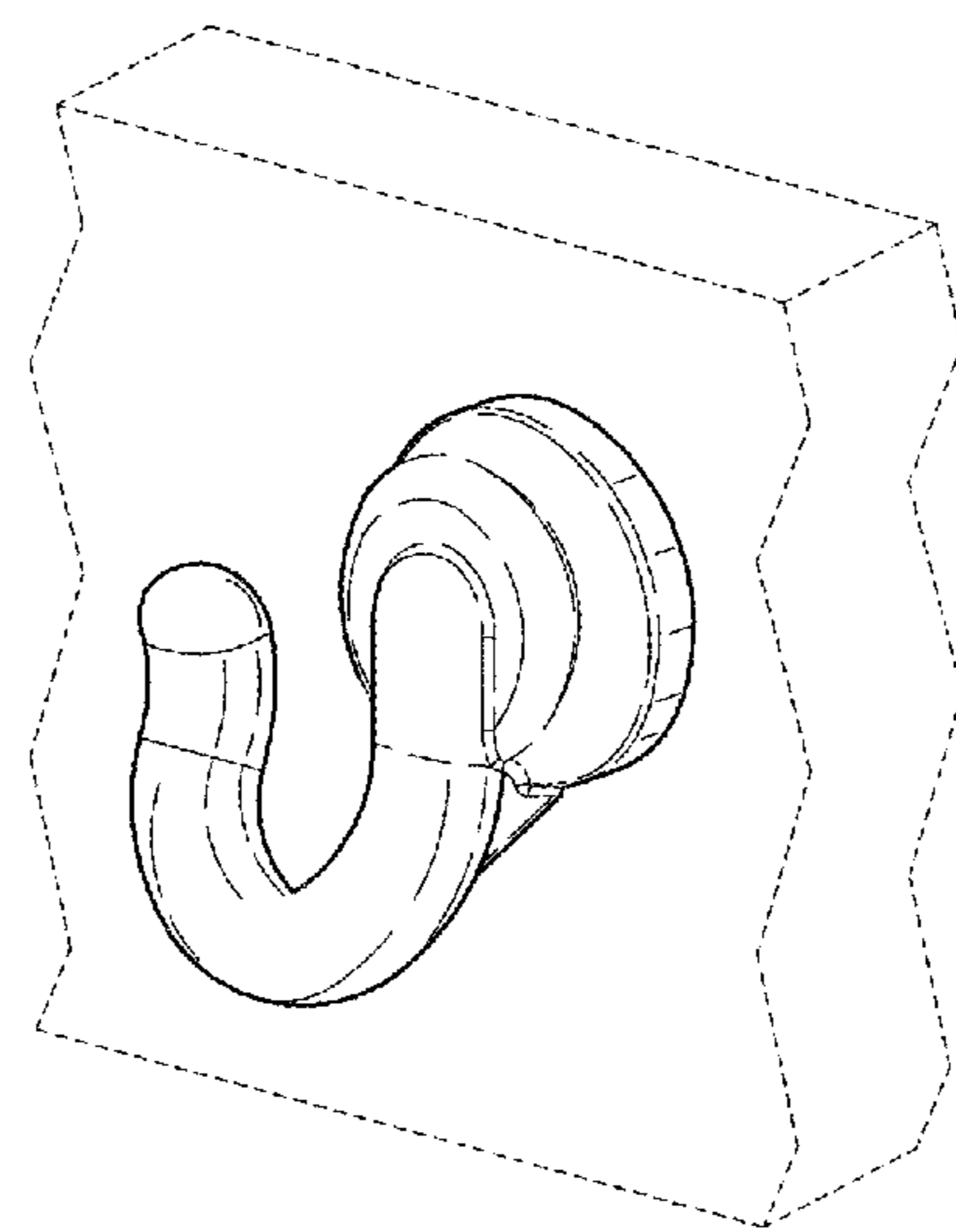
(57) **CLAIM**
The ornamental design for a hook rail, as shown and described.

DESCRIPTION

FIG. 1 is a perspective view of a hook rail showing our new design;
FIG. 2 is front elevation thereof;
FIG. 3 is a top view thereof;
FIG. 4 is a bottom view thereof;
FIG. 5 is one side view thereof; and,
FIG. 6 is another side view thereof.
The dash broken lines shown in the drawings are for purposes of illustrating portions of the hook rail that form no part of the claimed design. The rear portion of the embodiments are not visible during ordinary use and form no part of the claimed design.

1 Claim, 2 Drawing Sheets

(56) **References Cited**
U.S. PATENT DOCUMENTS
D325,131 S 4/1992 Fujiwara
D330,289 S 10/1992 Sharpe
D330,636 S 11/1992 Sharpe
D390,709 S 2/1998 Moore
D397,256 S 8/1998 Moore et al.
D398,451 S 9/1998 Sharpe
D416,139 S 11/1999 Roth et al.
D426,390 S 6/2000 Green et al.
D432,316 S 10/2000 Duggan
D435,971 S 1/2001 Solowiej
D435,972 S 1/2001 Moore
D436,452 S 1/2001 Gastelum et al.
D438,715 S 3/2001 Milrud et al.
D442,056 S 5/2001 Duggan



(56)

References Cited

U.S. PATENT DOCUMENTS

| | | | |
|-------------------|---------|-----------------|----------------------|
| D543,709 S | 6/2007 | Krumpe et al. | |
| D548,983 S | 8/2007 | Krumpe | |
| D563,109 S | 3/2008 | Krumpe et al. | |
| D568,621 S | 5/2008 | Krumpe et al. | |
| D570,613 S | 6/2008 | Ricereto | |
| D573,357 S | 7/2008 | Bickler et al. | |
| D578,779 S | 10/2008 | Lee et al. | |
| D580,186 S | 11/2008 | Krumpe et al. | |
| D607,650 S | 1/2010 | Krumpe | |
| D608,100 S | 1/2010 | Yoo | |
| D630,027 S | 1/2011 | Romero | |
| D648,982 S * | 11/2011 | Jokuszies | D23/252 |
| D668,935 S | 10/2012 | Yoo | |
| D672,974 S | 12/2012 | Krumpe | |
| D692,244 S | 10/2013 | Romero et al. | |
| D716,134 S * | 10/2014 | Pan | D8/372 |
| D720,937 S | 1/2015 | Fritz | |
| D750,390 S | 3/2016 | Bahler | |
| D759,469 S | 6/2016 | Garland | |
| D769,004 S | 10/2016 | Bahler | |
| D808,779 S * | 1/2018 | Shoenhair | D8/367 |
| D809,371 S * | 2/2018 | Forrest | D8/372 |
| D815,843 S * | 4/2018 | Gale | D6/300 |
| 2009/0087610 A1 * | 4/2009 | Lee | A47B 95/02 428/76 |

* cited by examiner

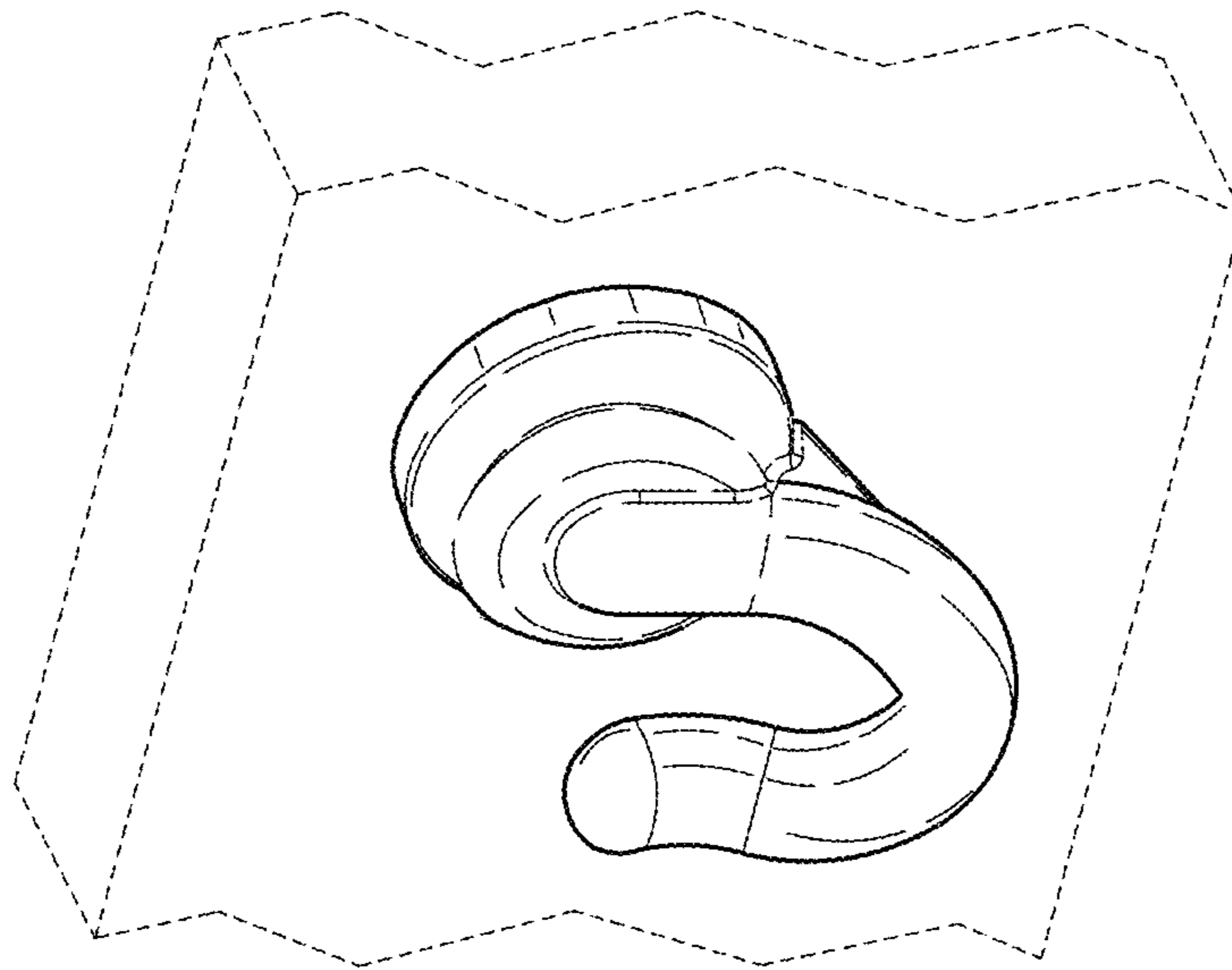


Fig. 1

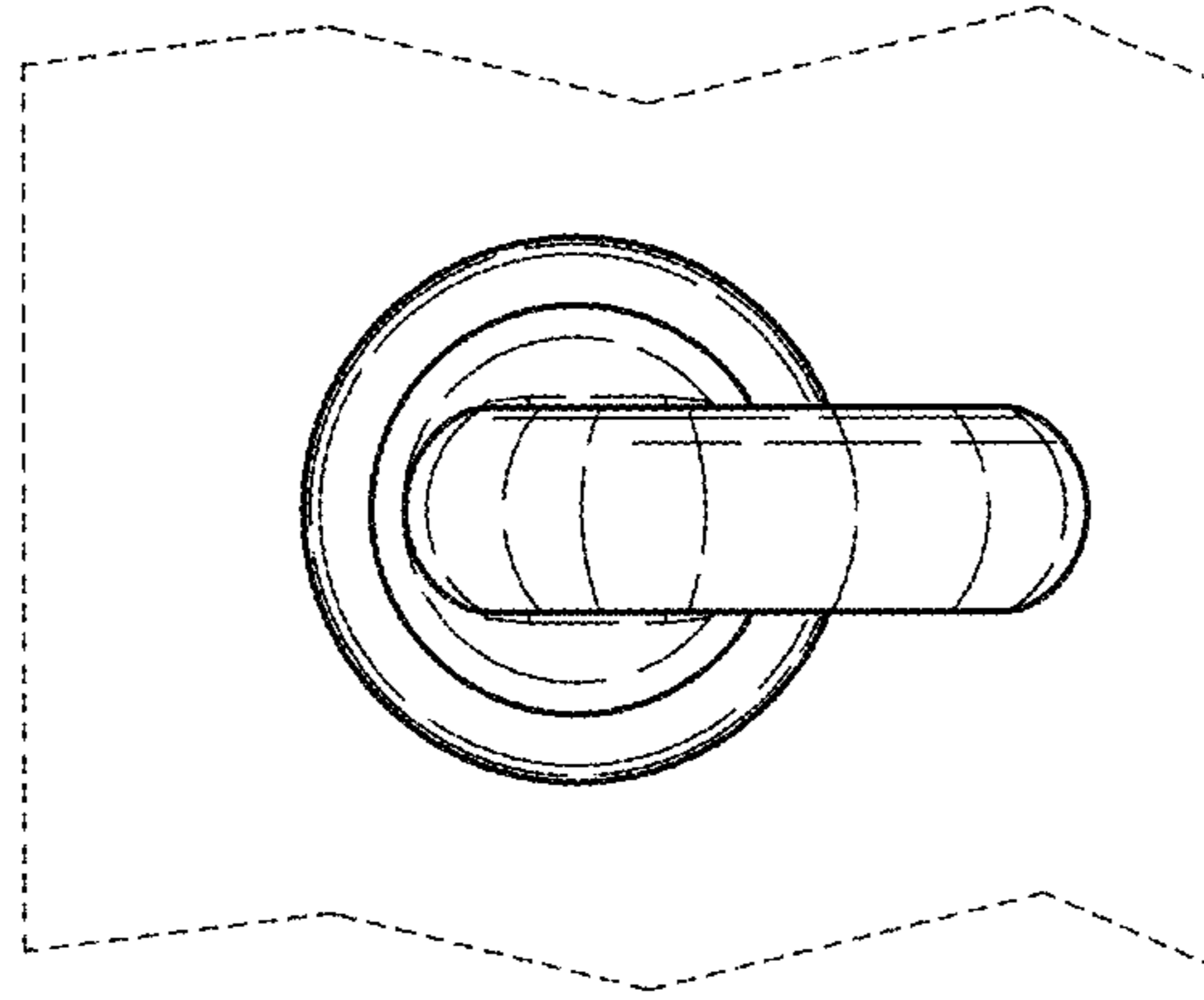


Fig. 2

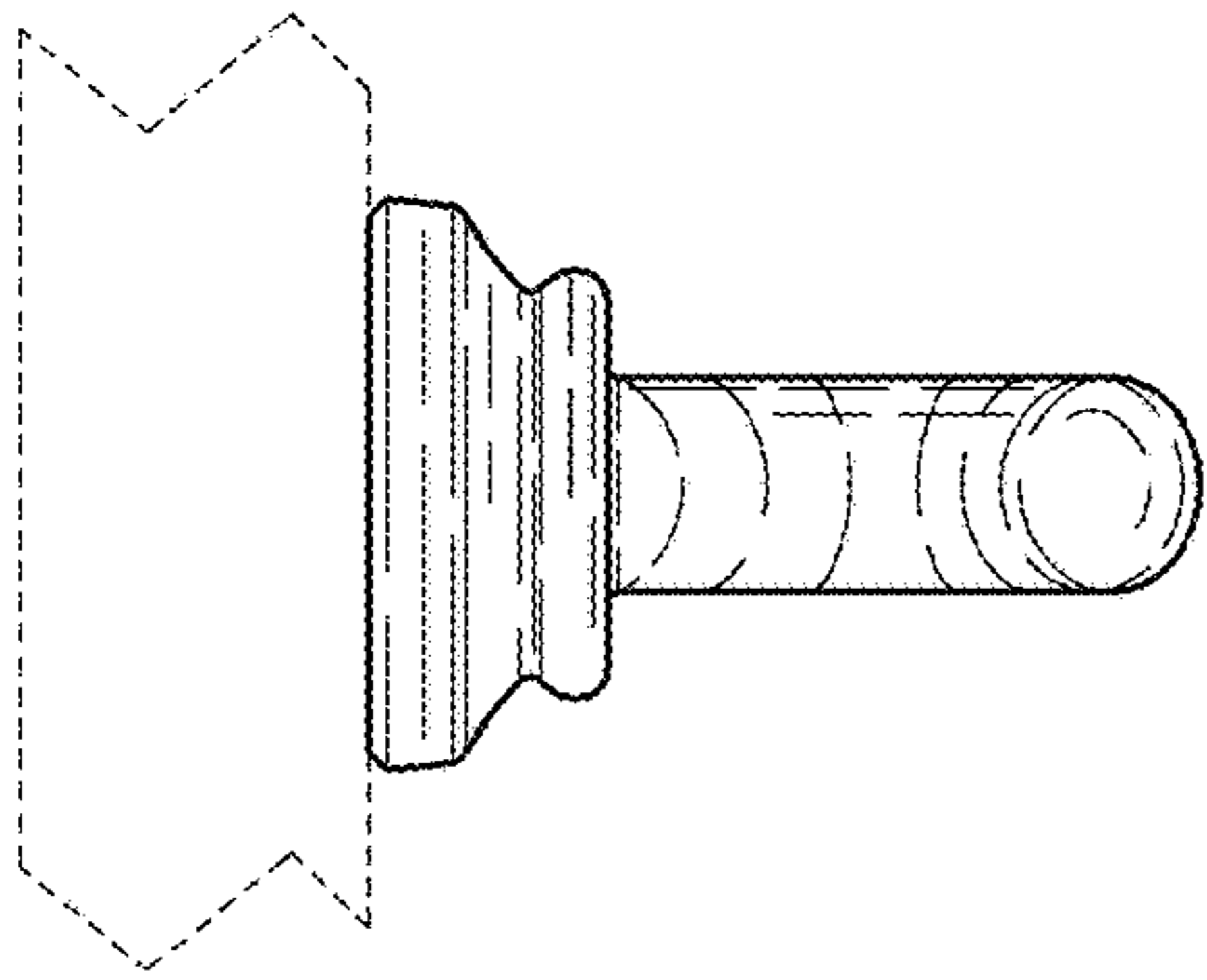


Fig. 3

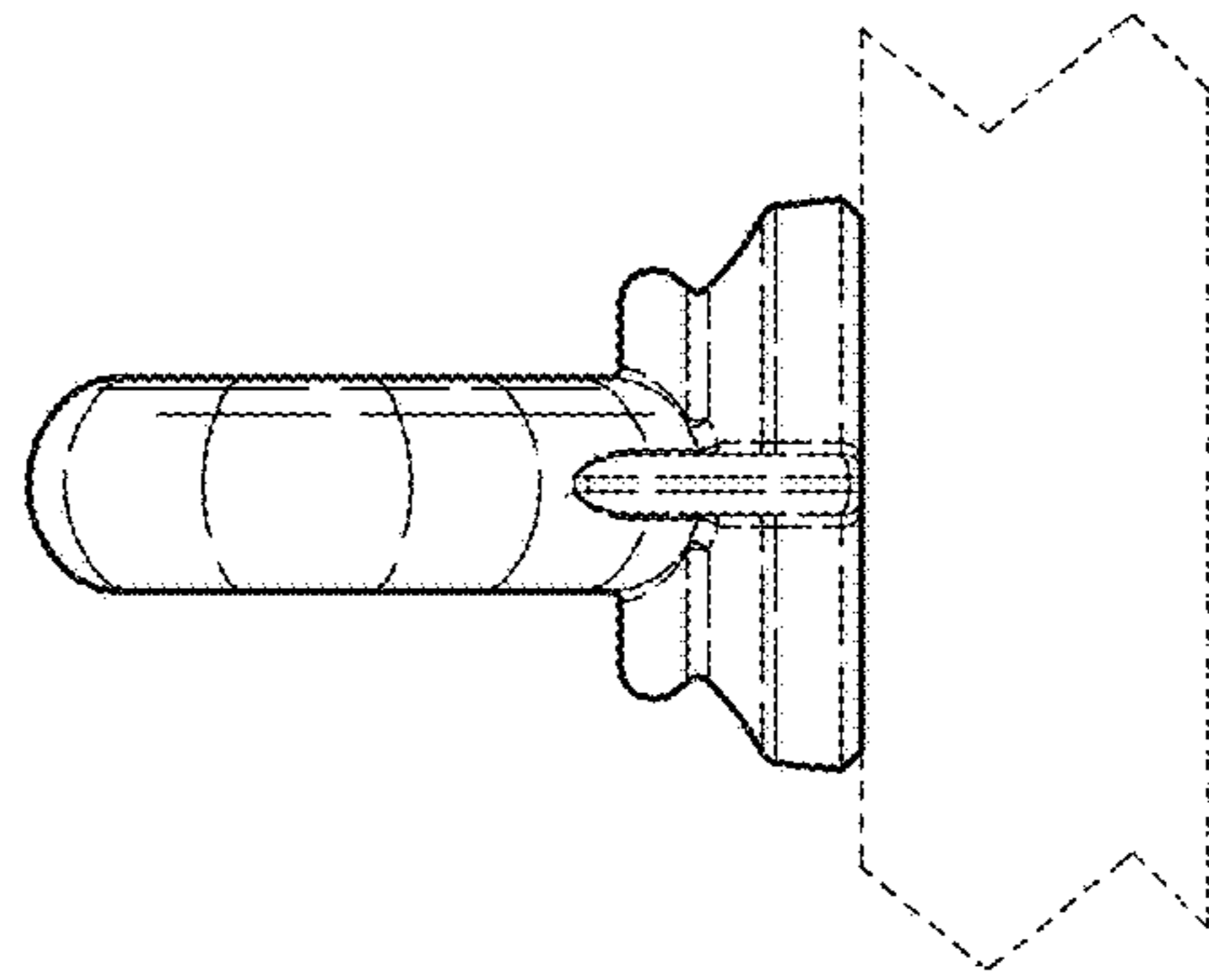


Fig. 4

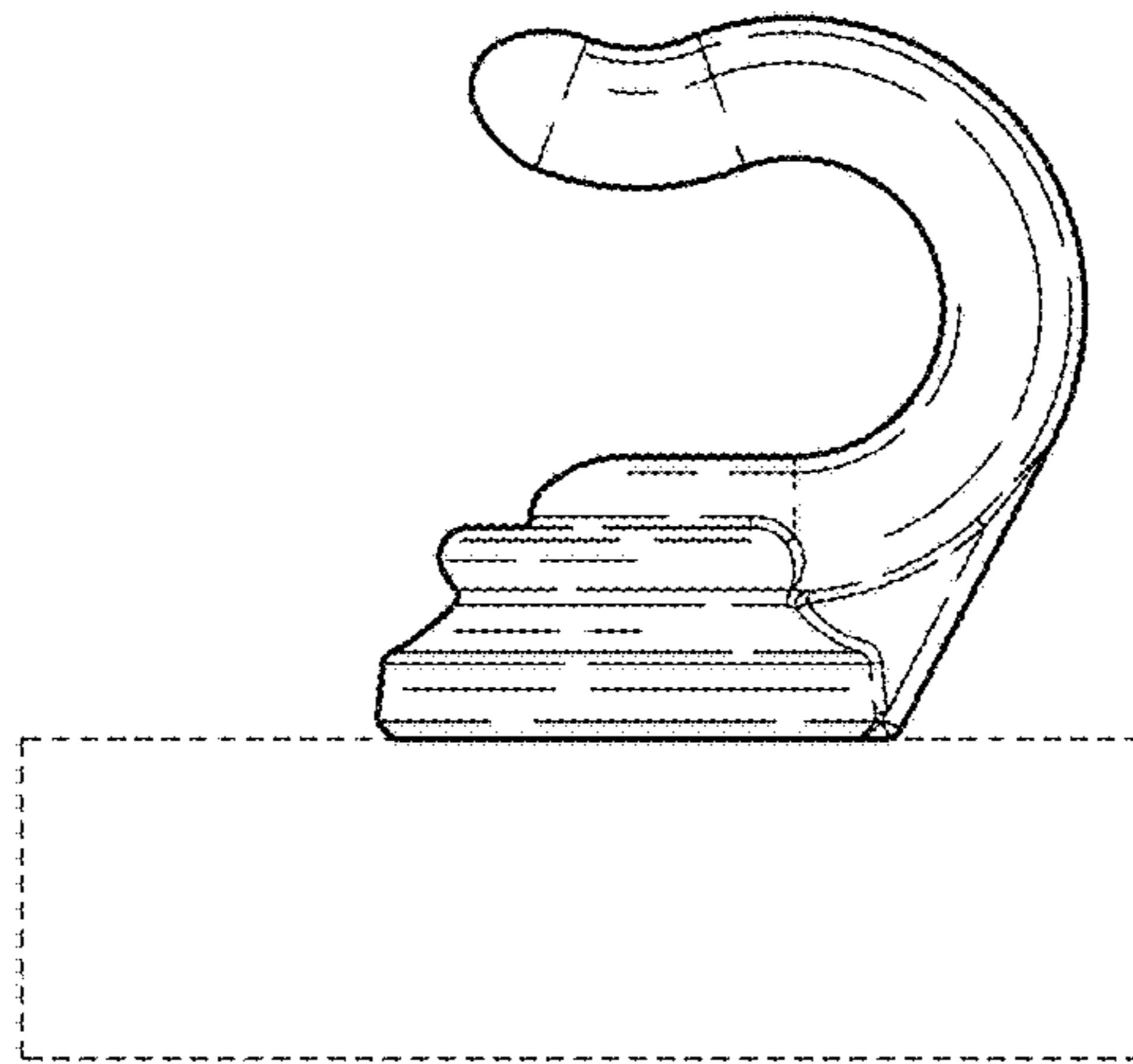


Fig. 5

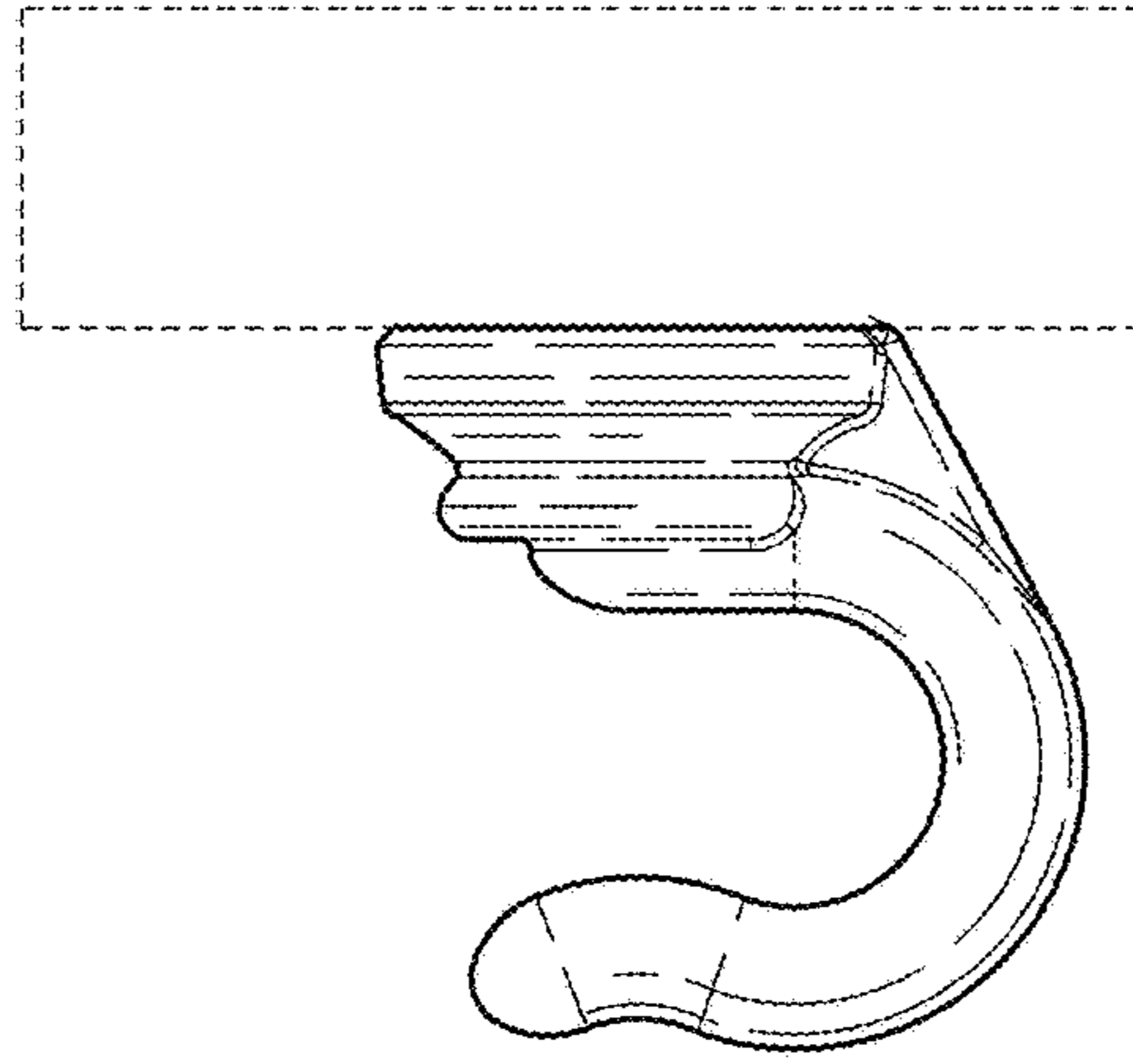


Fig. 6