



US00D852610S

(12) **United States Design Patent**
Moses et al.

(10) **Patent No.:** **US D852,610 S**
(45) **Date of Patent:** **** Jul. 2, 2019**

(54) **RAIL BRACKET**
(71) Applicant: **Tags4all Global Inc.**, Mitchell (CA)
(72) Inventors: **John M. Moses**, Mitchell (CA); **Jamie Beaumont**, Mitchell (CA)

7,931,244 B1 * 4/2011 Sipe E03C 1/021
211/60.1
D637,893 S * 5/2011 Yon D8/370
D712,238 S * 9/2014 Moses D8/373
9,200,654 B1 * 12/2015 Parduhn F16B 7/0493
D773,286 S * 12/2016 Moses D8/363

(**) Term: **15 Years**

(21) Appl. No.: **29/562,385**

(22) Filed: **Apr. 25, 2016**

(51) **LOC (11) Cl.** **08-05**

(52) **U.S. Cl.**
USPC **D8/364**

(58) **Field of Classification Search**
USPC D8/8, 10, 47, 71, 80, 83, 105, 107, 303,
D8/363, 364, 368; D7/504; D15/17;
D34/19, 20, 21
CPC B25G 1/08; B25G 1/10; B62B 1/10; B62B
1/264; B62B 1/14; F16B 7/00; F16B
7/04; F16B 13/12; F16B 13/124; F16L
3/00; F16L 33/02
See application file for complete search history.

(56) **References Cited**

U.S. PATENT DOCUMENTS

2,954,954 A * 10/1960 Larson A47G 25/08
248/215
D196,291 S * 9/1963 McCarthy D8/373
3,314,635 A * 4/1967 Frye B60N 3/103
211/72
D312,566 S * 12/1990 Scherer D8/355
5,054,430 A 10/1991 Weelink
5,303,673 A 4/1994 Weelink
5,433,172 A 7/1995 Weelink
D383,665 S * 9/1997 Vissers D8/363
7,007,899 B1 * 3/2006 Bachman F16L 3/1218
248/49
D569,713 S * 5/2008 Sandidge D6/550
7,748,665 B2 * 7/2010 Janesky F04D 15/0218
242/388.9

OTHER PUBLICATIONS

Bobrick wall-mounted swing-up grab bar, posted Mar. 2016, [retrieved Jun. 21, 2018]. Retrieved from Internet, <URL: <http://pdf.archiexpo.com/pdf/bobrick-washroom-equipment/bobrick-washroom-accessories-2016/51418-273800.html#open>>.*
Greenfreestall > Feed4All, posted unknown, [retrieved Jun. 21, 2018]. Retrieved from Internet, <URL: <http://www.greenfreestall.com/patents/>>.*

* cited by examiner

Primary Examiner — Barbara Fox
Assistant Examiner — Kristin E Reed
(74) *Attorney, Agent, or Firm* — Brunet & Co. Ltd.

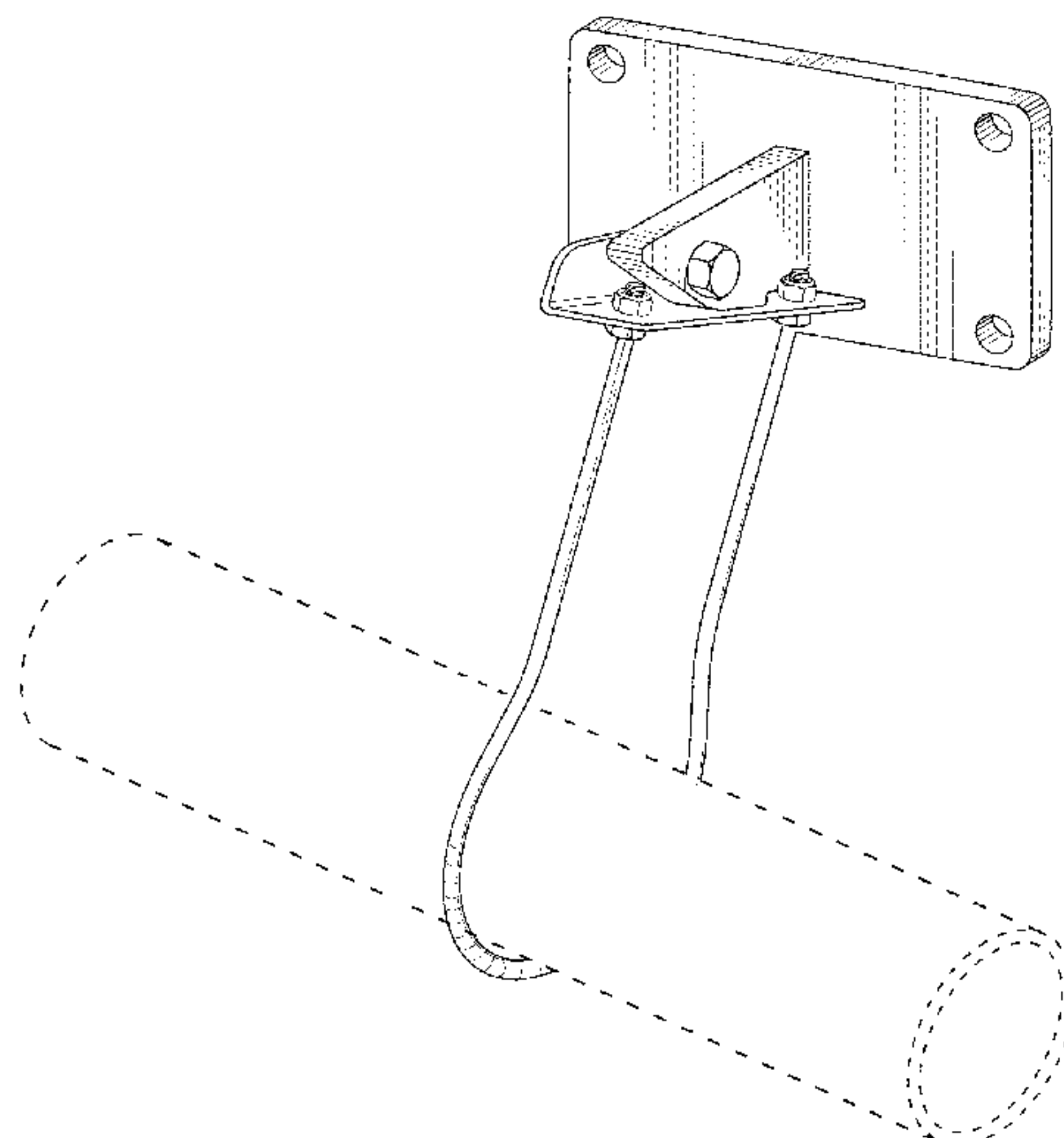
(57) **CLAIM**

We claim the ornamental design for a rail bracket, as shown and described.

DESCRIPTION

FIG. 1 is a perspective view of a rail bracket showing our new design;
FIG. 2 is a side view thereof;
FIG. 3 is an opposite side view thereof;
FIG. 4 is a front view thereof;
FIG. 5 is a rear view thereof;
FIG. 6 is a bottom view thereof;
FIG. 7 is a top view thereof; and,
FIG. 8 is a perspective view of the rail bracket shown holding a rail.
The broken lines shown in the drawings depict an environment of use that forms no part of the claimed design.

1 Claim, 5 Drawing Sheets



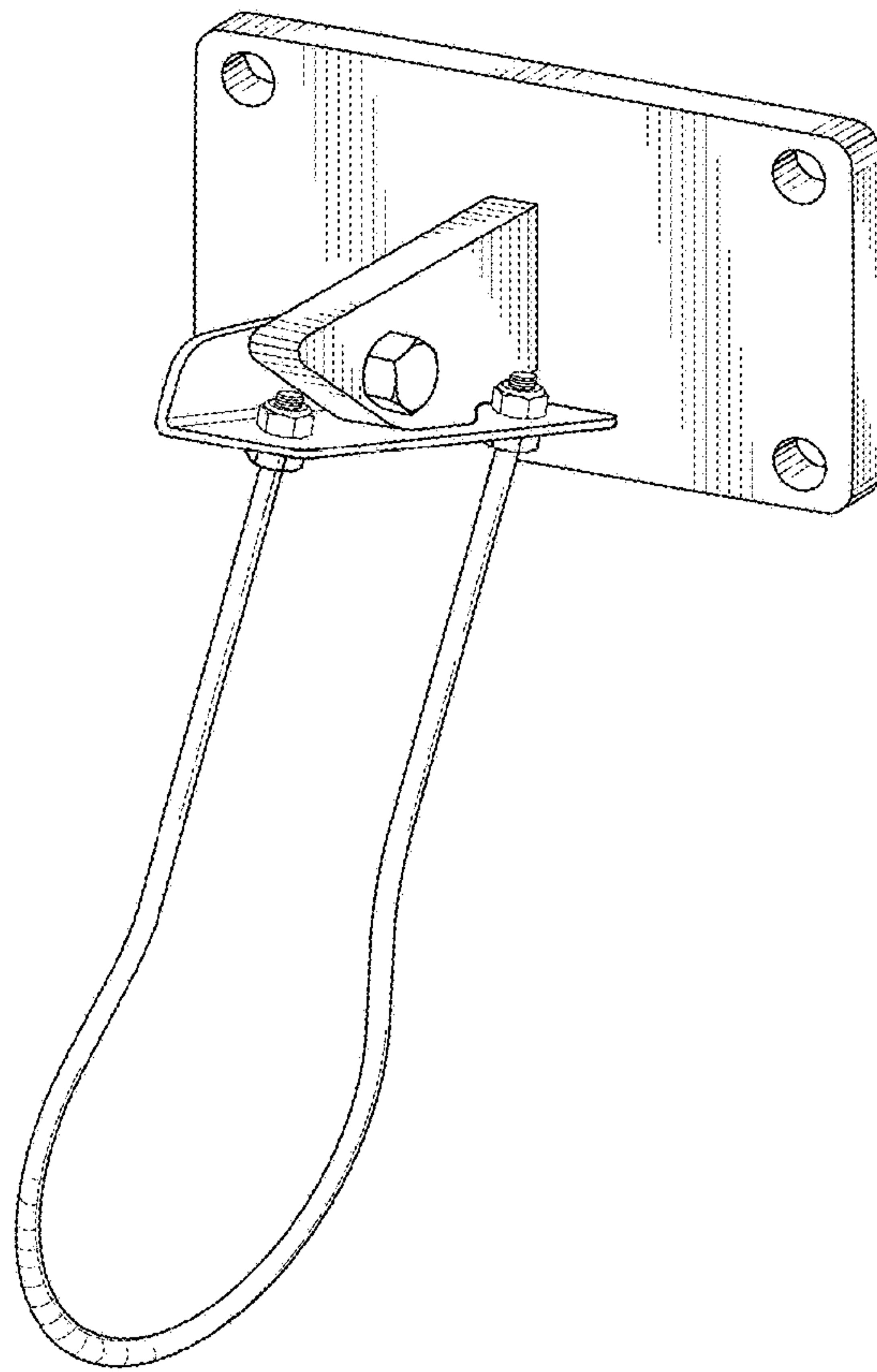


FIG.1

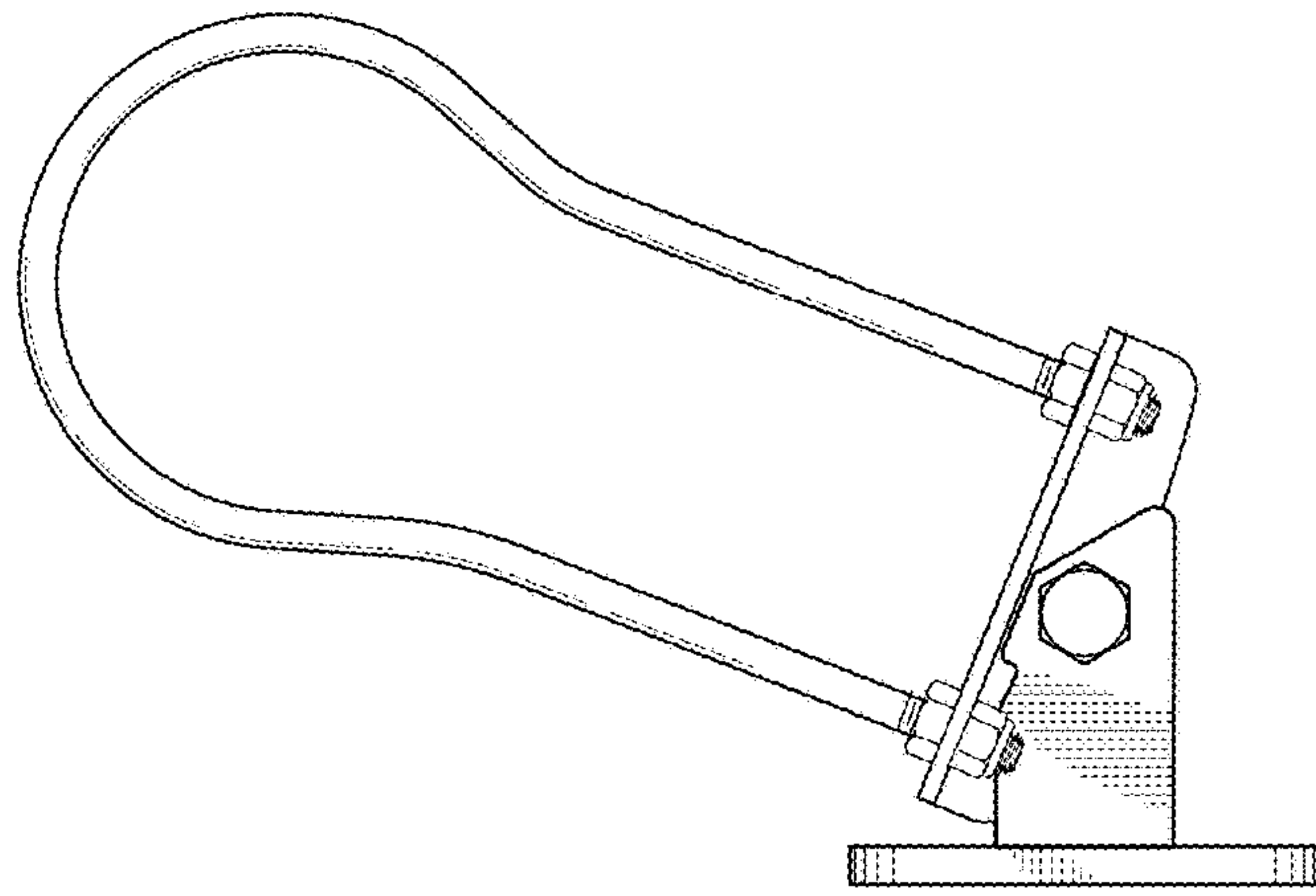


FIG. 2

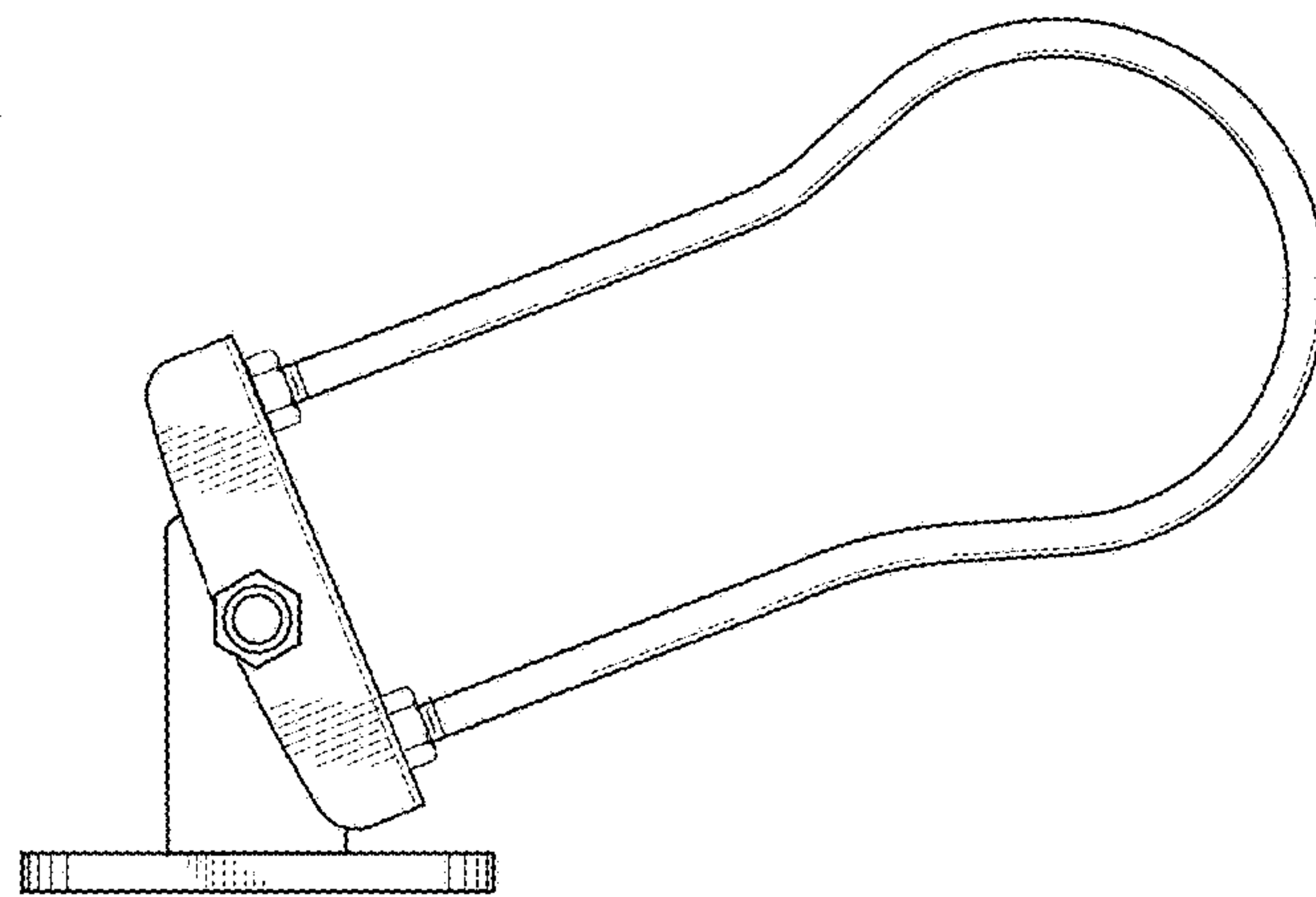


FIG. 3

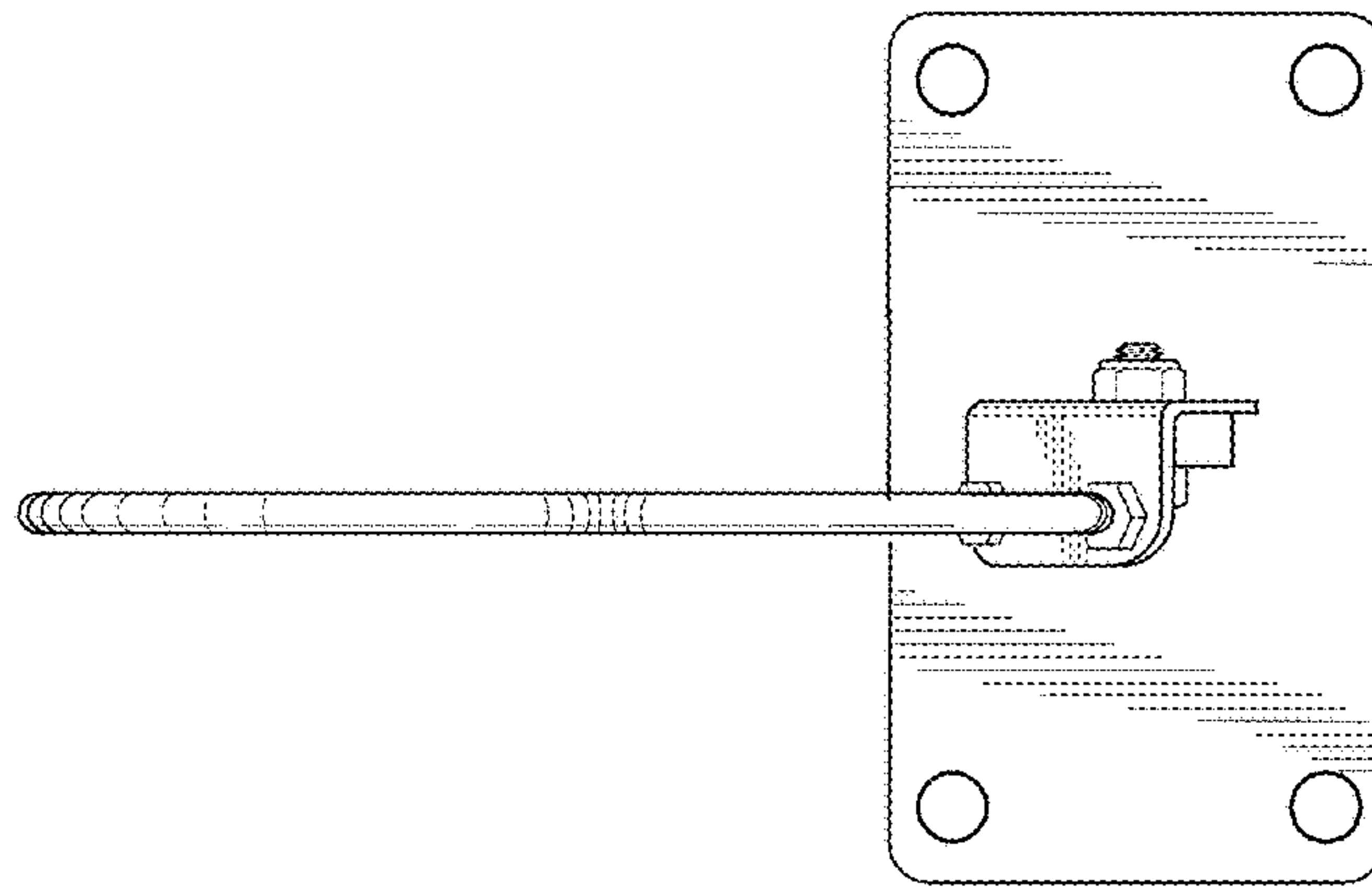


FIG. 4

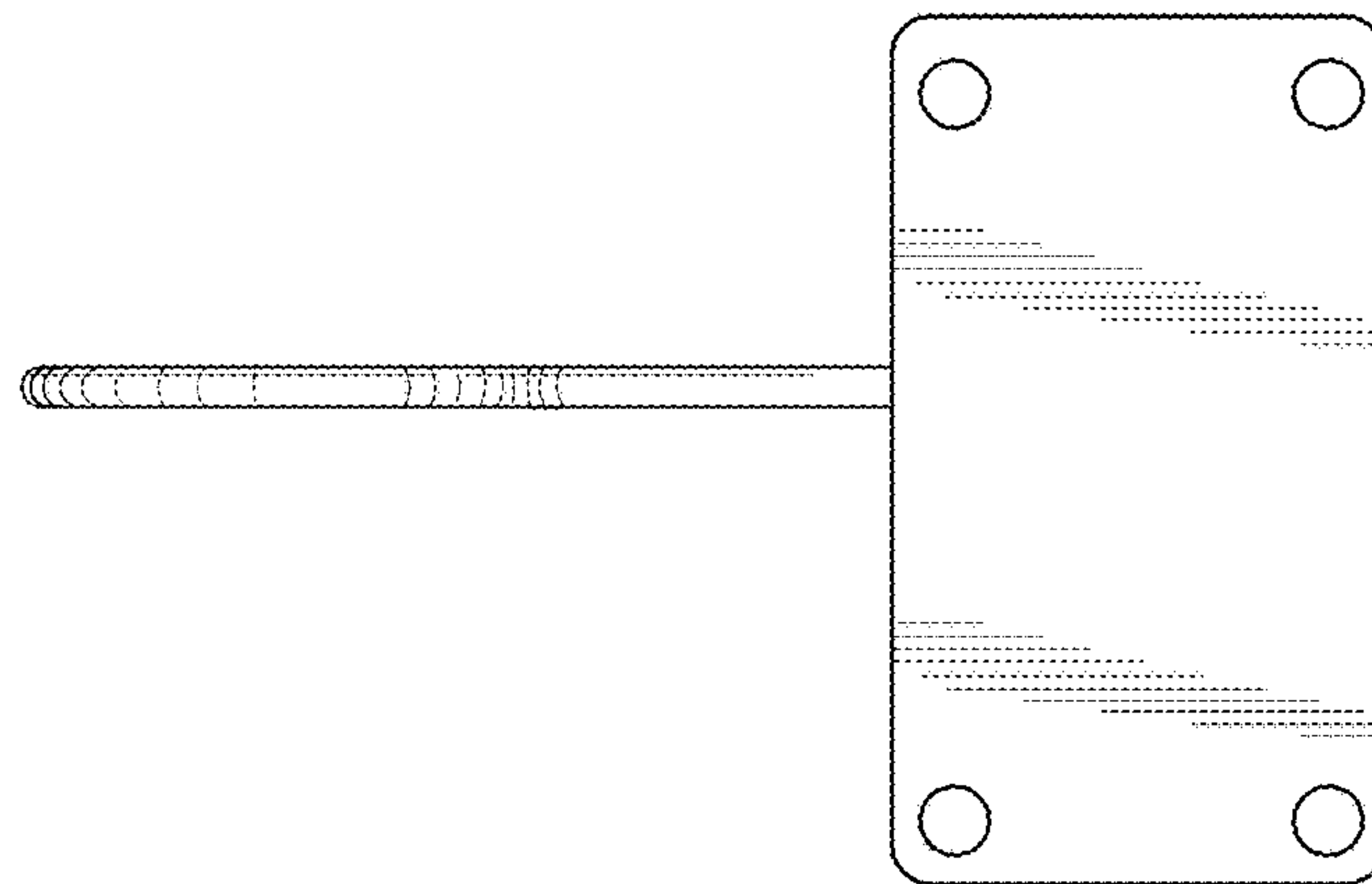


FIG. 5

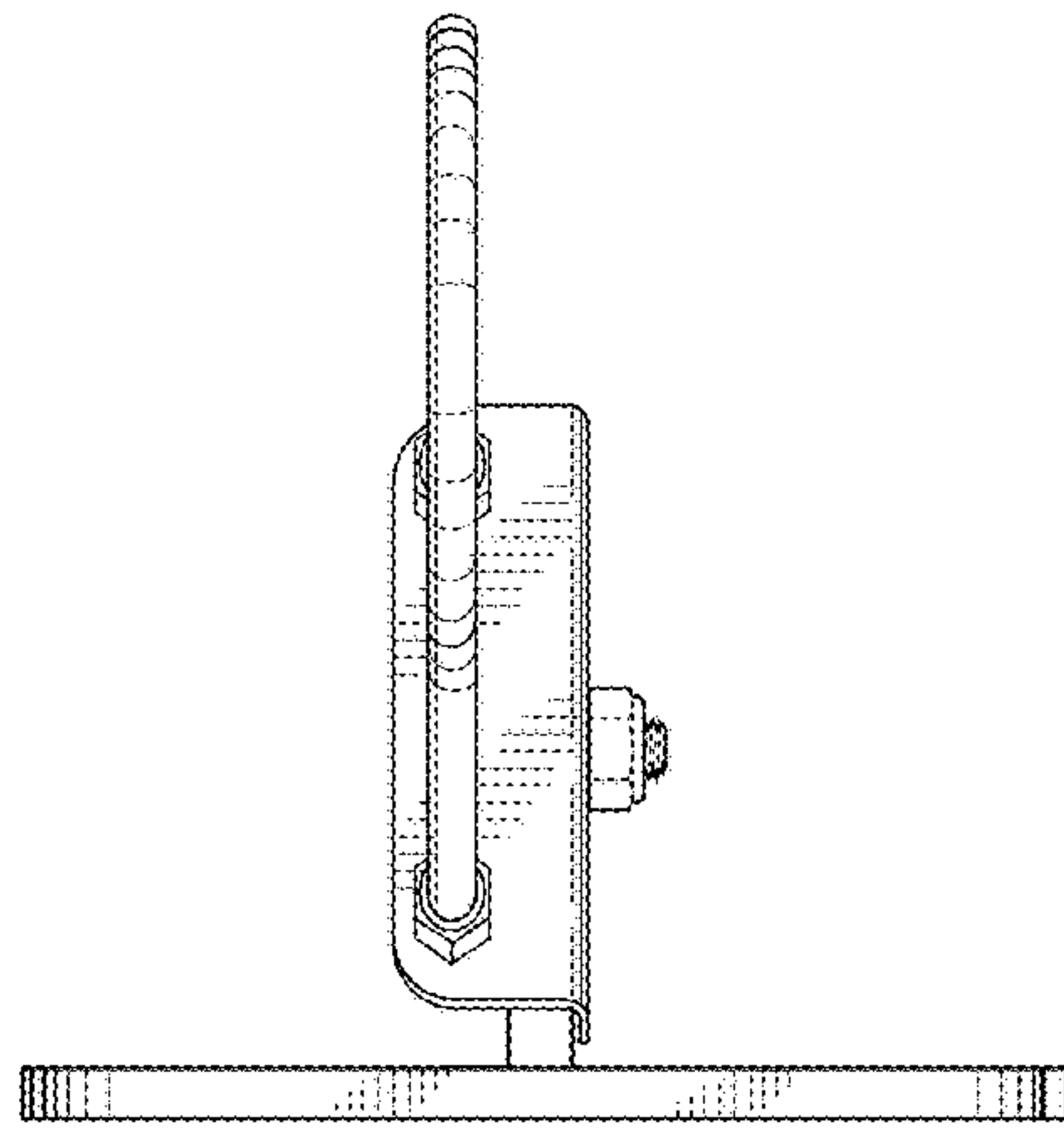


FIG. 6

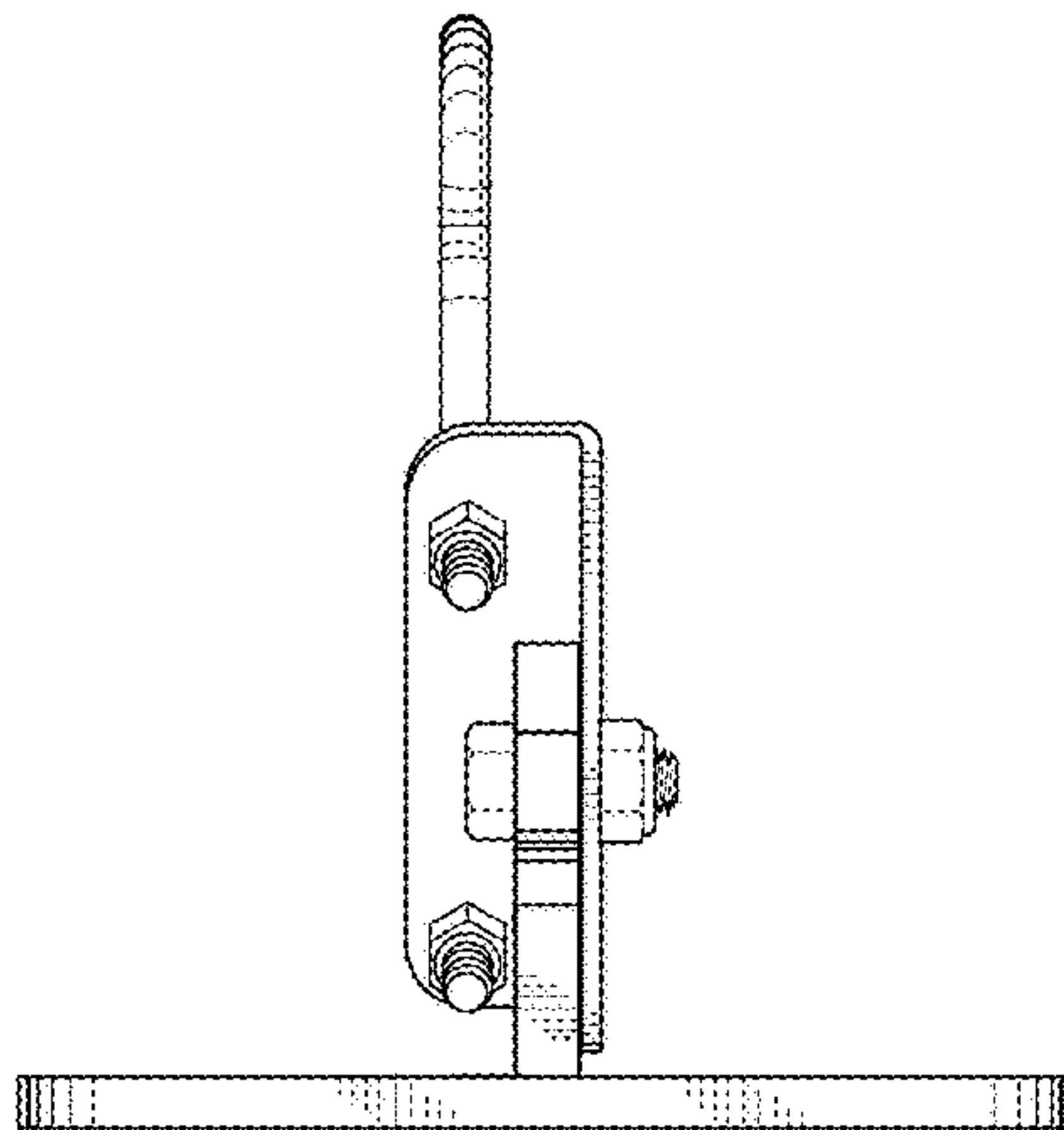


FIG. 7

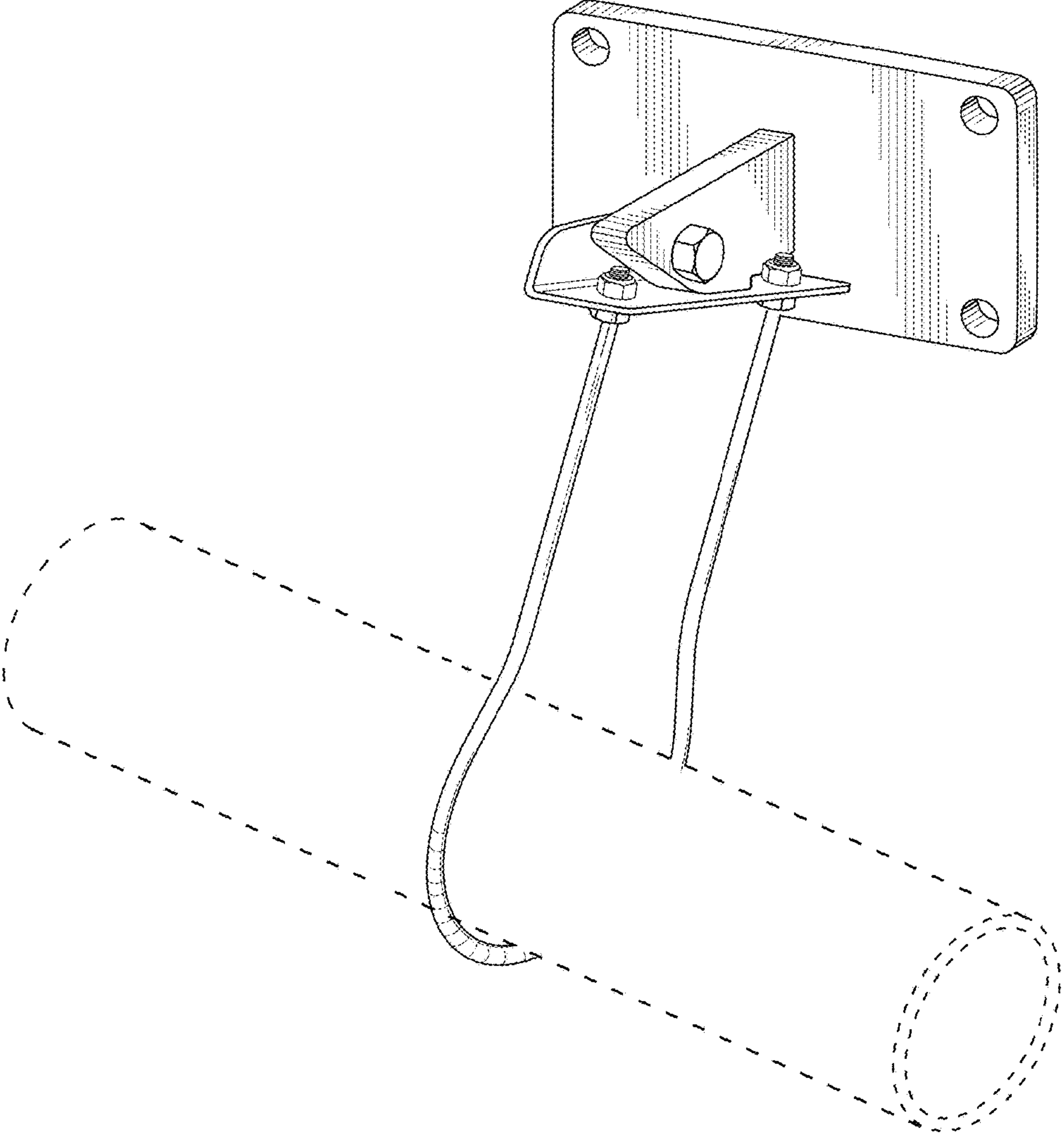


FIG.8