



US00D852609S

(12) **United States Design Patent**
LeBeau

(10) **Patent No.:** **US D852,609 S**

(45) **Date of Patent:** **** *Jul. 2, 2019**

(54) **LOCKING CARABINER WITH SLIDABLE PIN**

(71) Applicant: **LeBeau, Inc.**, Logan, UT (US)

(72) Inventor: **Mark William LeBeau**, Logan, UT (US)

(73) Assignee: **LeBeau, Inc.**, Logan, UT (US)

(*) Notice: This patent is subject to a terminal disclaimer.

(**) Term: **15 Years**

(21) Appl. No.: **29/605,703**

(22) Filed: **May 30, 2017**

(51) **LOC (11) Cl.** **09-06**

(52) **U.S. Cl.**
USPC **D8/356**

(58) **Field of Classification Search**
USPC D8/367, 356, 354, 349
CPC B65H 57/16; B63B 21/045
See application file for complete search history.

(56) **References Cited**

U.S. PATENT DOCUMENTS

D649,862 S *	12/2011	Arvinte	D8/339
D708,047 S *	7/2014	Petzl	D8/356
D764,899 S *	8/2016	Petzl	D8/356
D790,327 S *	6/2017	Renforth	D8/356
2007/0186393 A1 *	8/2007	Thompson	F16B 45/02 24/599.9

2009/0056088 A1 *	3/2009	Petzl	F16B 45/02 24/599.9
2011/0138587 A1 *	6/2011	Walker	F16B 45/02 24/599.5
2012/0011688 A1 *	1/2012	Yang	F16B 45/02 24/599.8
2014/0123447 A1 *	5/2014	Calvert	F16B 45/025 24/599.9
2014/0245576 A1 *	9/2014	Perner	F16B 45/02 24/600.1
2016/0363159 A1 *	12/2016	Yeh	F16B 45/02

* cited by examiner

Primary Examiner — Cynthia R Underwood

(74) *Attorney, Agent, or Firm* — Seth Black; Dodd Call Black, PLLC

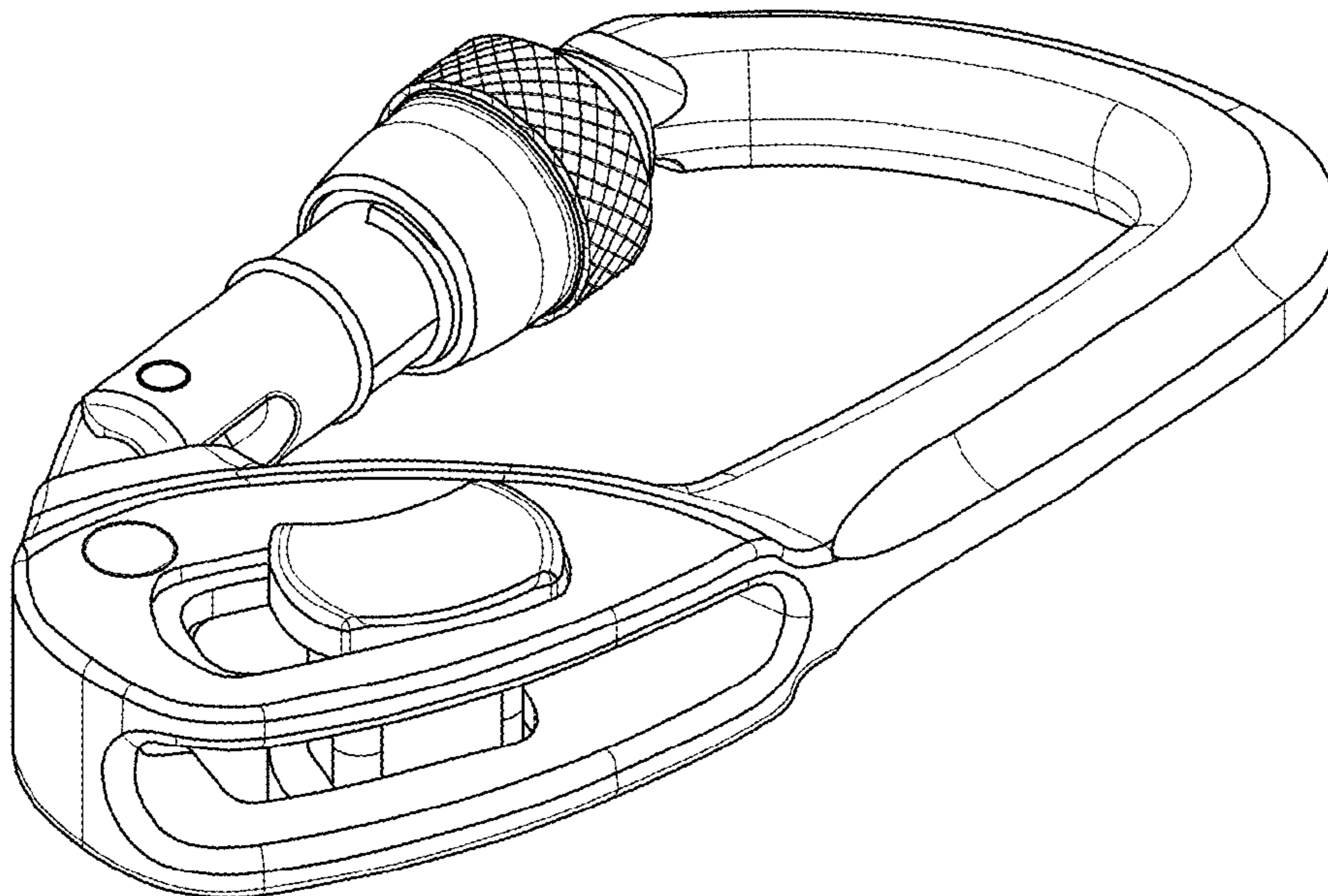
(57) **CLAIM**

The ornamental design for a locking carabiner with slidable pin, as shown.

DESCRIPTION

FIG. 1 is a bottom, front, right side perspective view of a locking carabiner with slidable pin showing my new design; FIG. 2 is a top, rear, left side perspective view thereof; FIG. 3 is a front elevational view thereof; FIG. 4 is a rear elevational view thereof; FIG. 5 is a right side elevational view thereof; FIG. 6 is a left side elevational view thereof; FIG. 7 is a top plan view thereof; and, FIG. 8 is a bottom plan view thereof.

1 Claim, 8 Drawing Sheets



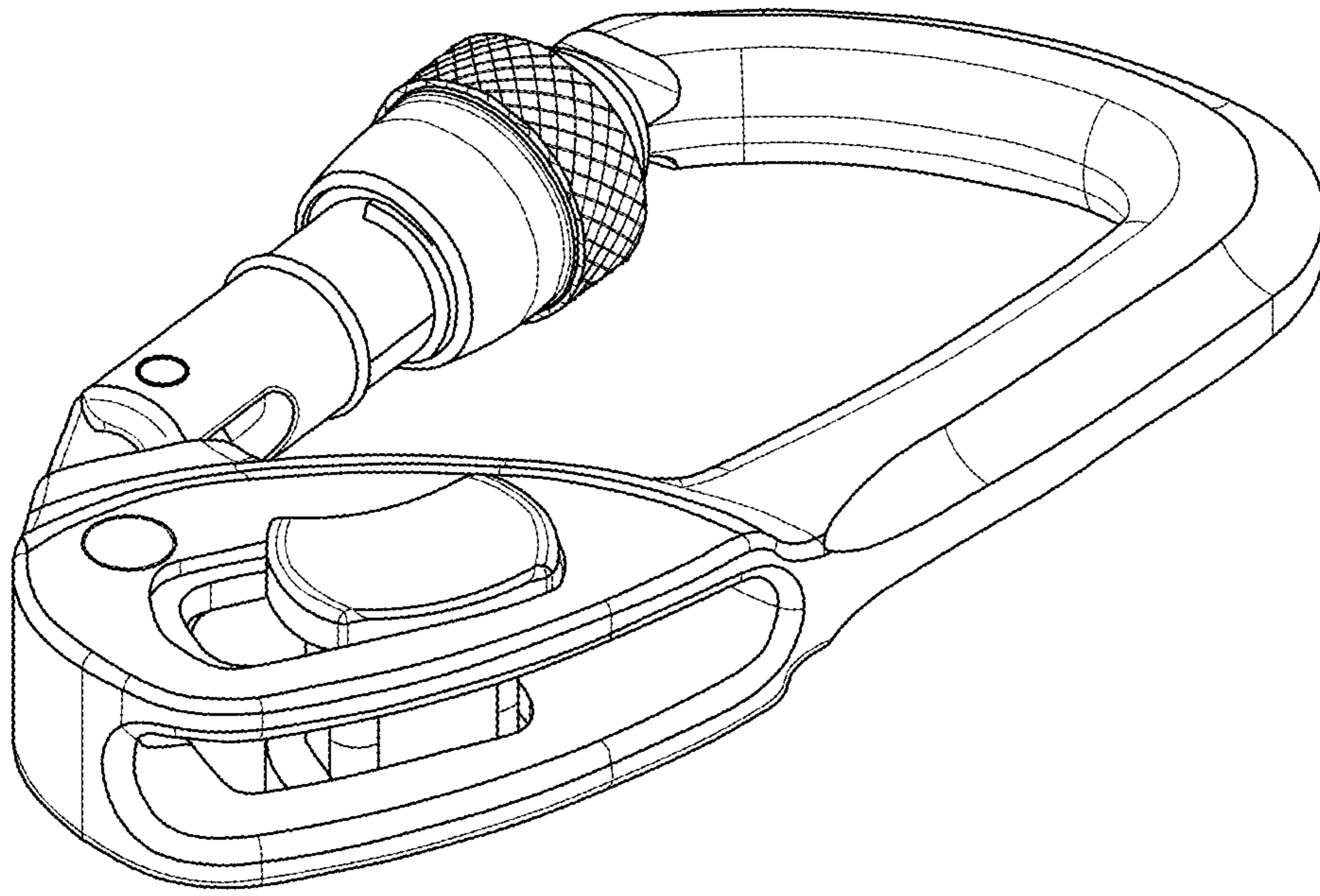


FIG. 1

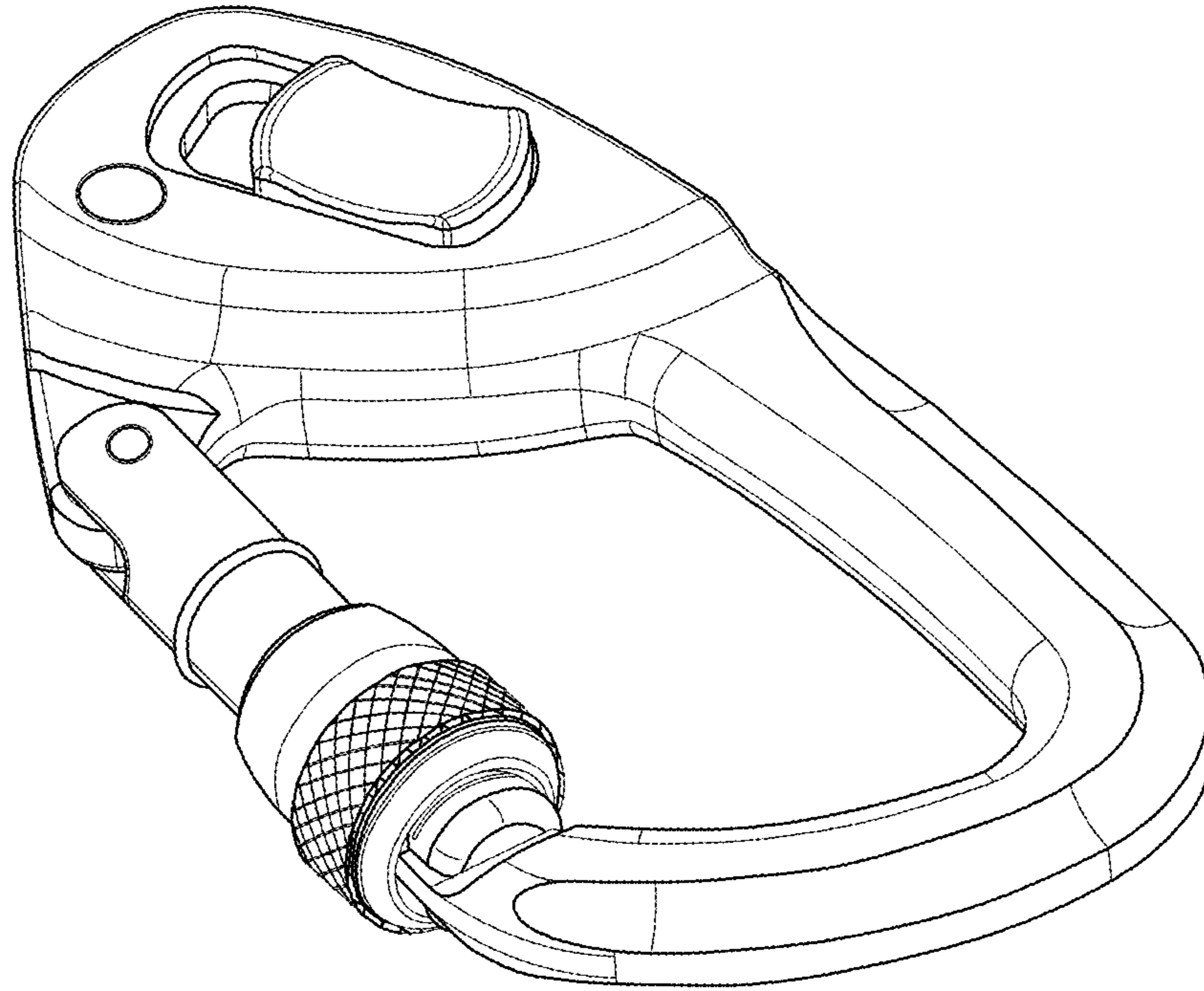


FIG. 2

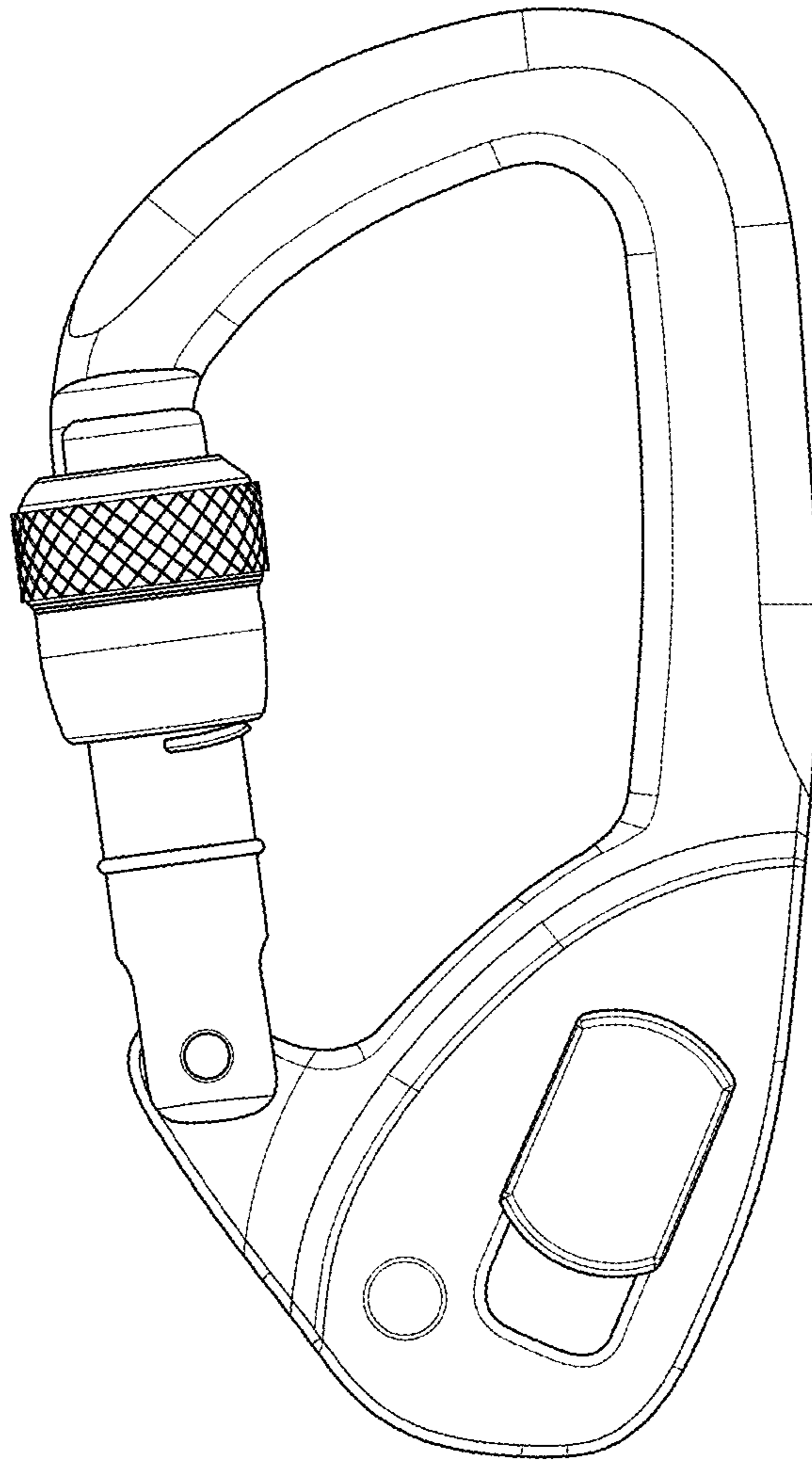


FIG. 3

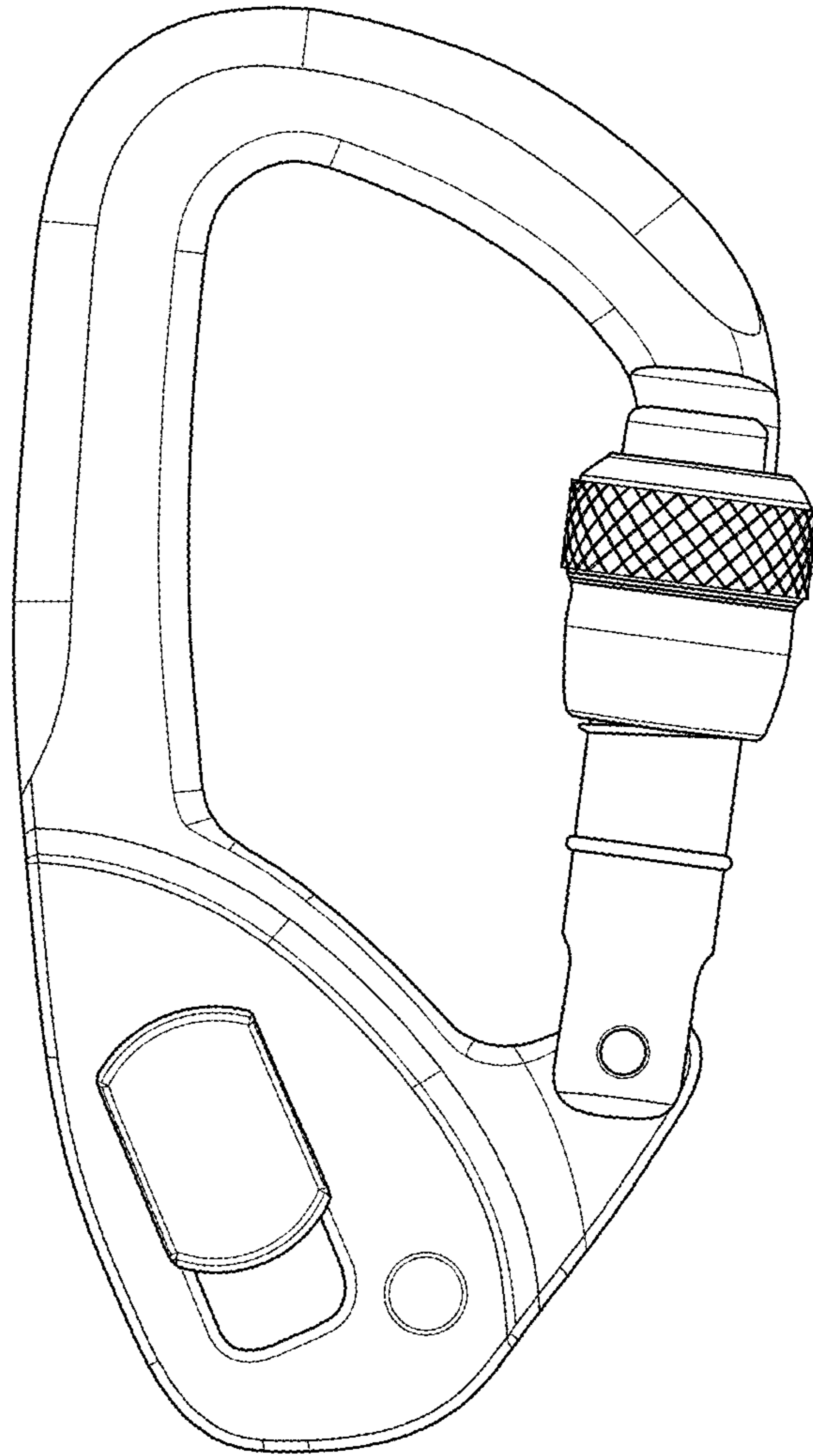


FIG. 4

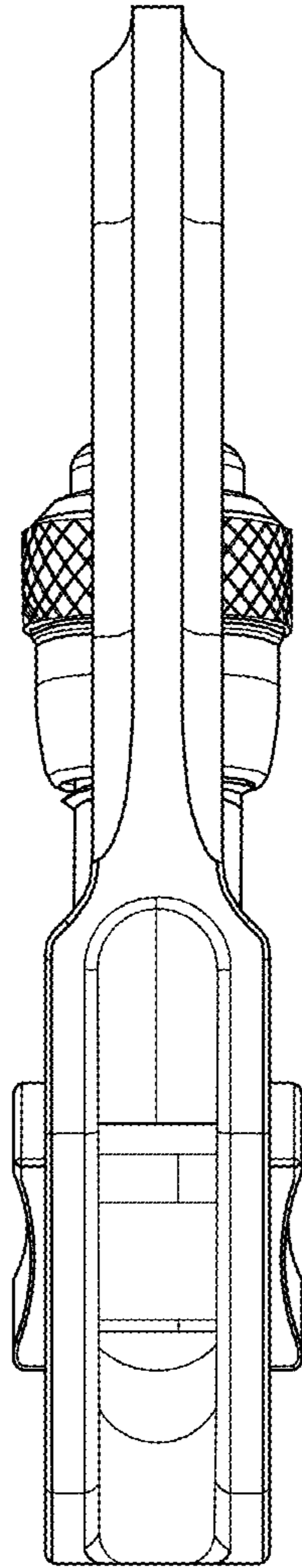


FIG. 5

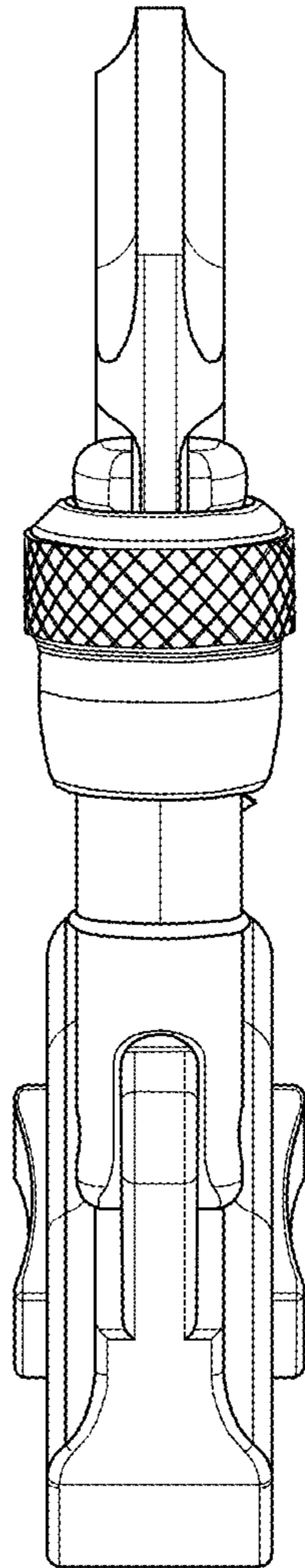


FIG. 6

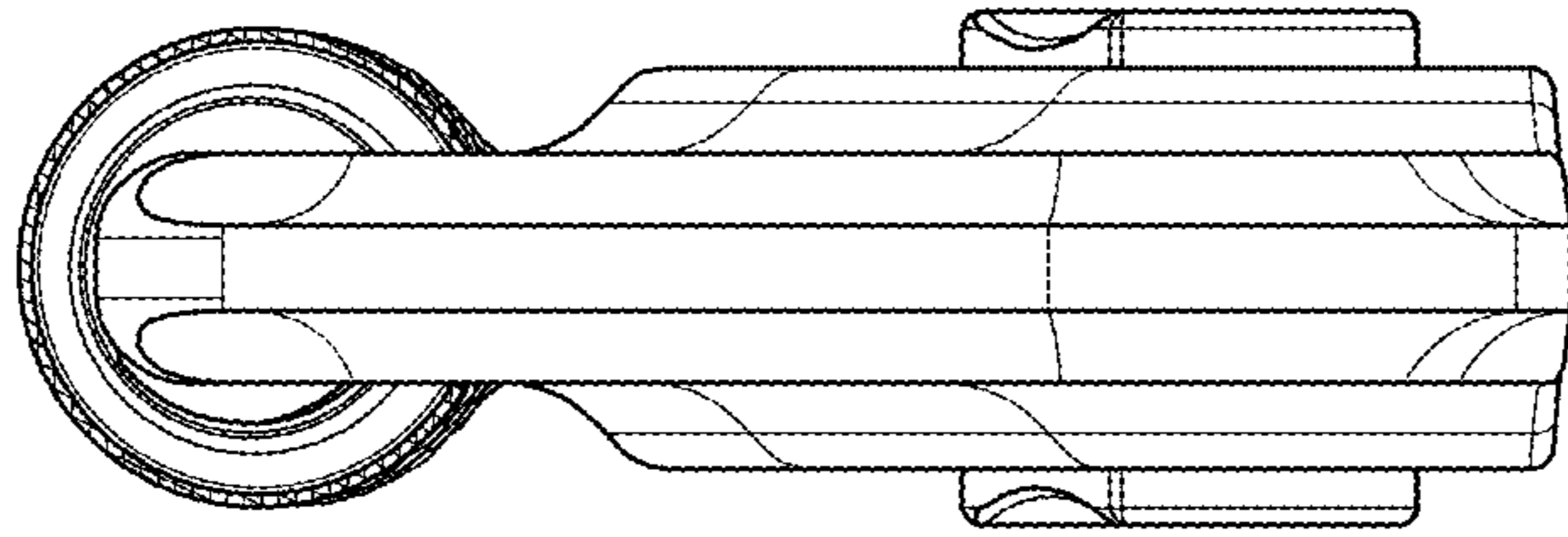


FIG. 7

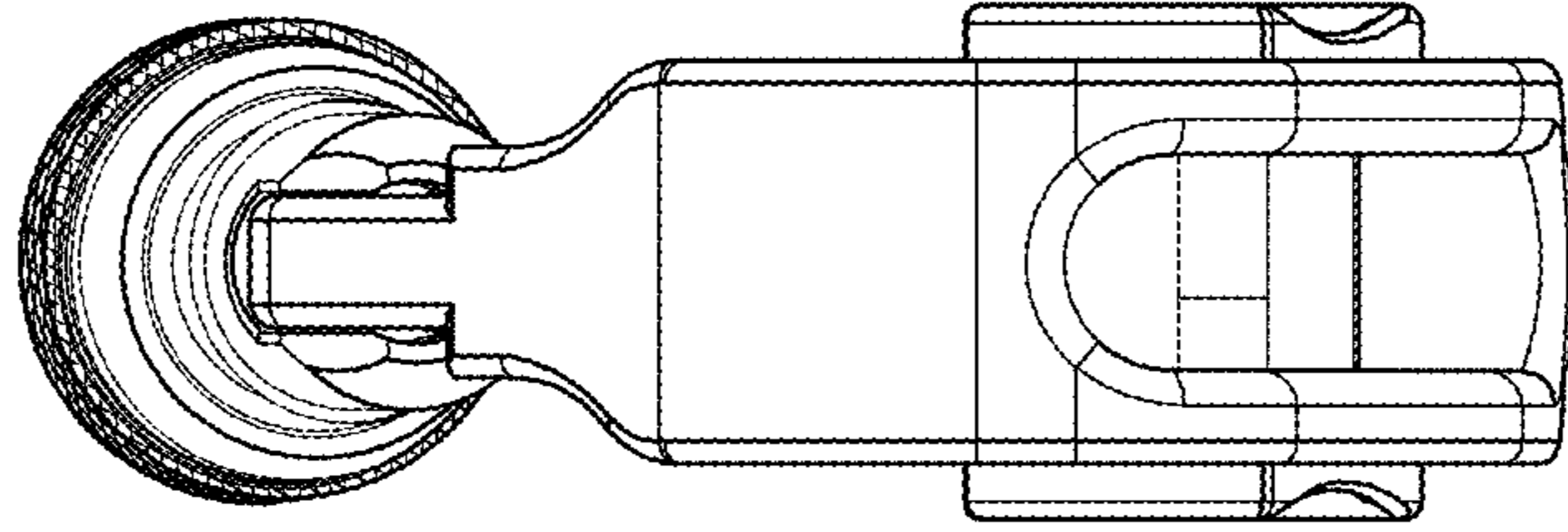


FIG. 8