



US00D852608S

(12) **United States Design Patent**  
**Yamaguchi**

(10) **Patent No.:** **US D852,608 S**

(45) **Date of Patent:** **\*\* Jul. 2, 2019**

(54) **HINGE**

(71) Applicant: **SUGATSUNE KOGYO CO., LTD.**,  
Chiyoda-ku, Tokyo (JP)

(72) Inventor: **Koushi Yamaguchi**, Chiyoda-ku (JP)

(73) Assignee: **SUGATSUNE KOGYO CO., LTD.**,  
Tokyo (JP)

(\*\*) Term: **15 Years**

(21) Appl. No.: **29/625,256**

(22) Filed: **Nov. 8, 2017**

(30) **Foreign Application Priority Data**

May 9, 2017 (JP) ..... 2017-009922

(51) **LOC (11) Cl.** ..... **08-06**

(52) **U.S. Cl.**  
USPC ..... **D8/323**

(58) **Field of Classification Search**

USPC ..... D8/323, 328, 327; 16/374  
CPC .. E05D 1/00; E05D 11/06; E05D 5/10; E05D  
3/02; A47K 13/12

See application file for complete search history.

(56) **References Cited**

**U.S. PATENT DOCUMENTS**

- D268,893 S \* 5/1983 Salice ..... D8/323
- 4,847,948 A \* 7/1989 Gross ..... E05D 7/0407  
16/251
- 4,870,716 A \* 10/1989 Grass ..... E05D 5/0276  
16/250
- D309,247 S \* 7/1990 Grass ..... D8/323
- D309,704 S \* 8/1990 Grass ..... D8/323
- 5,056,192 A \* 10/1991 Grass ..... E05D 11/0054  
16/251
- 5,210,907 A \* 5/1993 Toyama ..... E05D 7/0407  
16/251

5,577,297 A \* 11/1996 Lautenschlager ..... E05D 5/08  
16/254

6,308,376 B1 \* 10/2001 Koshikawa ..... E05D 3/16  
16/250

D451,000 S \* 11/2001 Karl ..... D8/323

(Continued)

*Primary Examiner* — Cynthia R Underwood

(74) *Attorney, Agent, or Firm* — Masuvalley & Partners

(57) **CLAIM**

The ornamental design for a hinge, as shown and described.

**DESCRIPTION**

FIG. 1 is a perspective view of a hinge according to the invention;

FIG. 2 is a front elevation view of the hinge of FIG. 1;

FIG. 3 is a rear elevation view of the hinge of FIG. 1;

FIG. 4 is a top plan view of the hinge of FIG. 1, the bottom plan view being a mirror image thereof;

FIG. 5 is a right side elevation view of the hinge of FIG. 1;

FIG. 6 is a left side elevation view of the hinge of FIG. 1;

FIG. 7 is a perspective view of the hinge of FIG. 1 in a closed state;

FIG. 8 is a top plan view of the hinge of FIG. 1 in the closed state, the bottom plan view being a mirror image thereof;

FIG. 9 is a rear view of the hinge of FIG. 1 in the closed state;

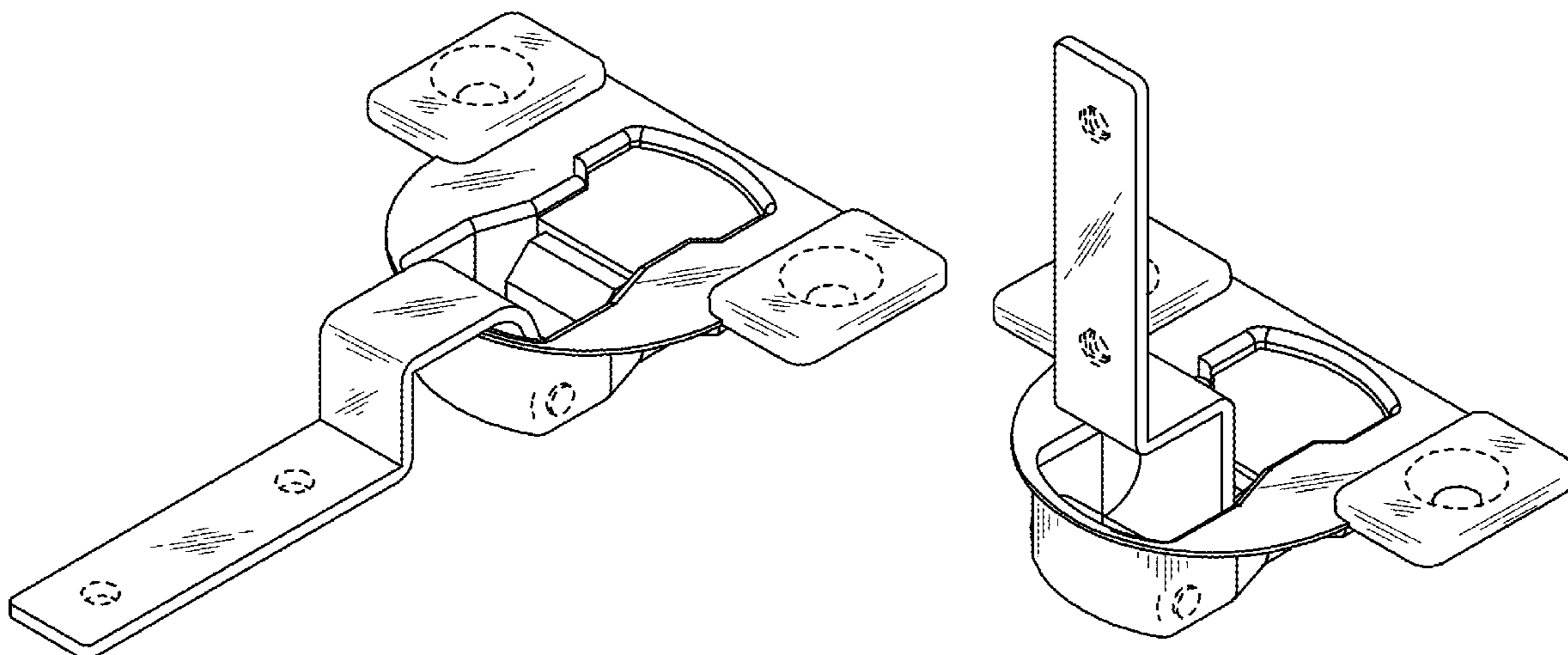
FIG. 10 is a plan view of the hinge of FIG. 1 in the closed state;

FIG. 11 is a right side elevation view of the hinge of FIG. 1 in the closed state; and,

FIG. 12 is a left side elevation view of the hinge of FIG. 1 in the closed state.

The broken line showing of the hinge is for the purpose of illustrating portions of the hinge and forms no part of the claimed design.

**1 Claim, 12 Drawing Sheets**



(56)

**References Cited**

U.S. PATENT DOCUMENTS

6,401,298	B1 *	6/2002	Lenz .....	E05D 11/1021 16/303
D475,272	S *	6/2003	Hansen, II .....	D8/327
8,020,253	B1 *	9/2011	Finkelstein et al. ....	E05D 7/0423 16/250
D676,307	S *	2/2013	Oshima .....	D8/323
D676,308	S *	2/2013	Oshima .....	D8/323
D684,839	S *	6/2013	Oshima .....	D8/323
D700,036	S *	2/2014	Oshima .....	D8/323
D719,011	S *	12/2014	Russo .....	D8/323
D719,811	S *	12/2014	Cooper .....	D8/323
D749,931	S *	2/2016	Oshima .....	D8/323
9,388,616	B2 *	7/2016	Cooper .....	E05D 11/0054
2003/0093877	A1 *	5/2003	Hofer .....	E05D 7/0415 16/235
2004/0107542	A1 *	6/2004	Rock .....	E05D 5/065 16/387
2007/0084017	A1 *	4/2007	Takamatsu .....	E05D 5/08 16/382
2014/0026361	A1 *	1/2014	Kim .....	E05D 11/0054 16/251
2014/0259526	A1 *	9/2014	Migli .....	E05D 5/0276 16/231
2015/0191952	A1 *	7/2015	Pyo .....	E05D 7/0407 16/239
2015/0240543	A1 *	8/2015	Ng .....	E05D 7/0407 16/233

\* cited by examiner

FIG. 1

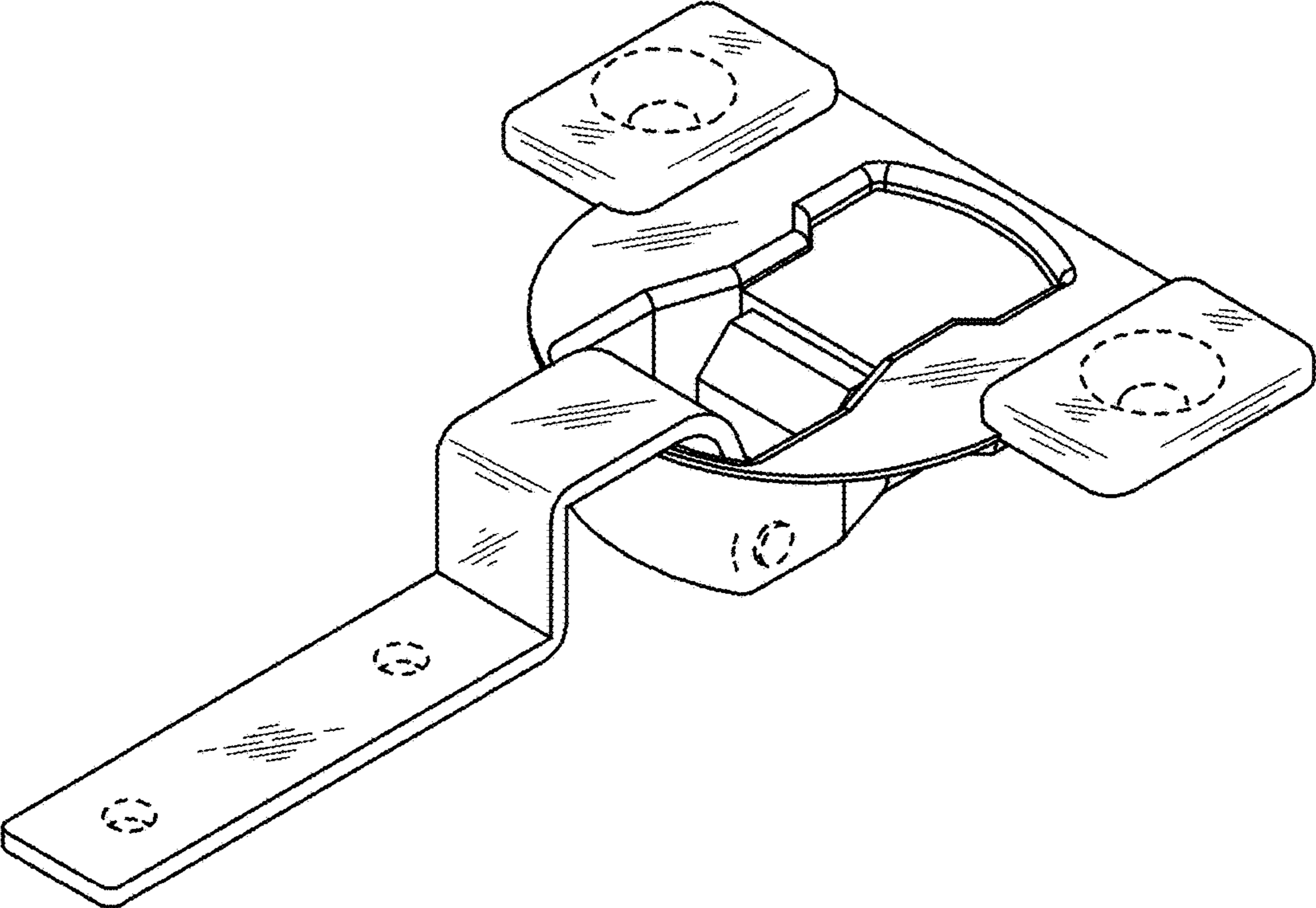


FIG. 2

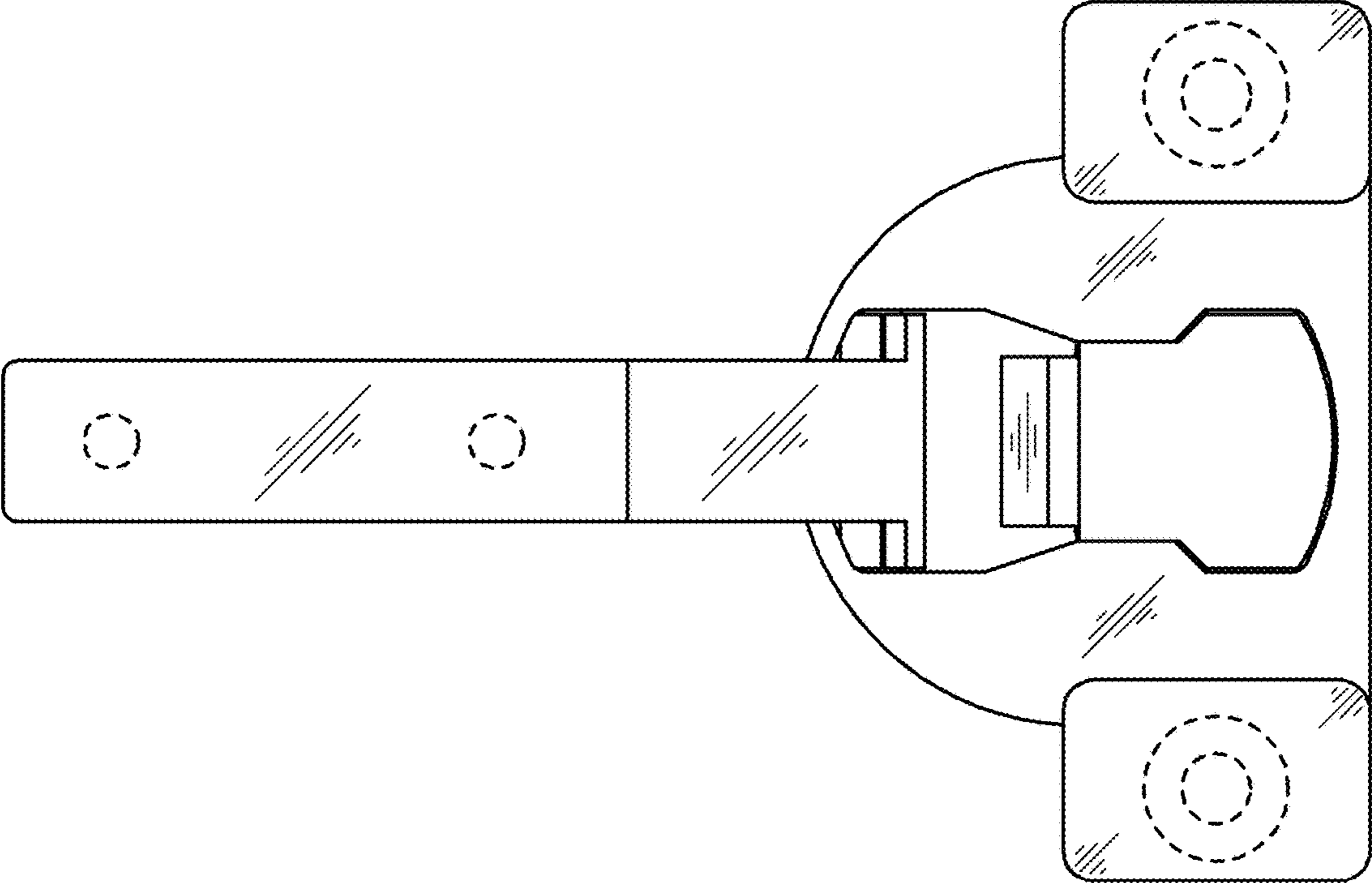


FIG. 3

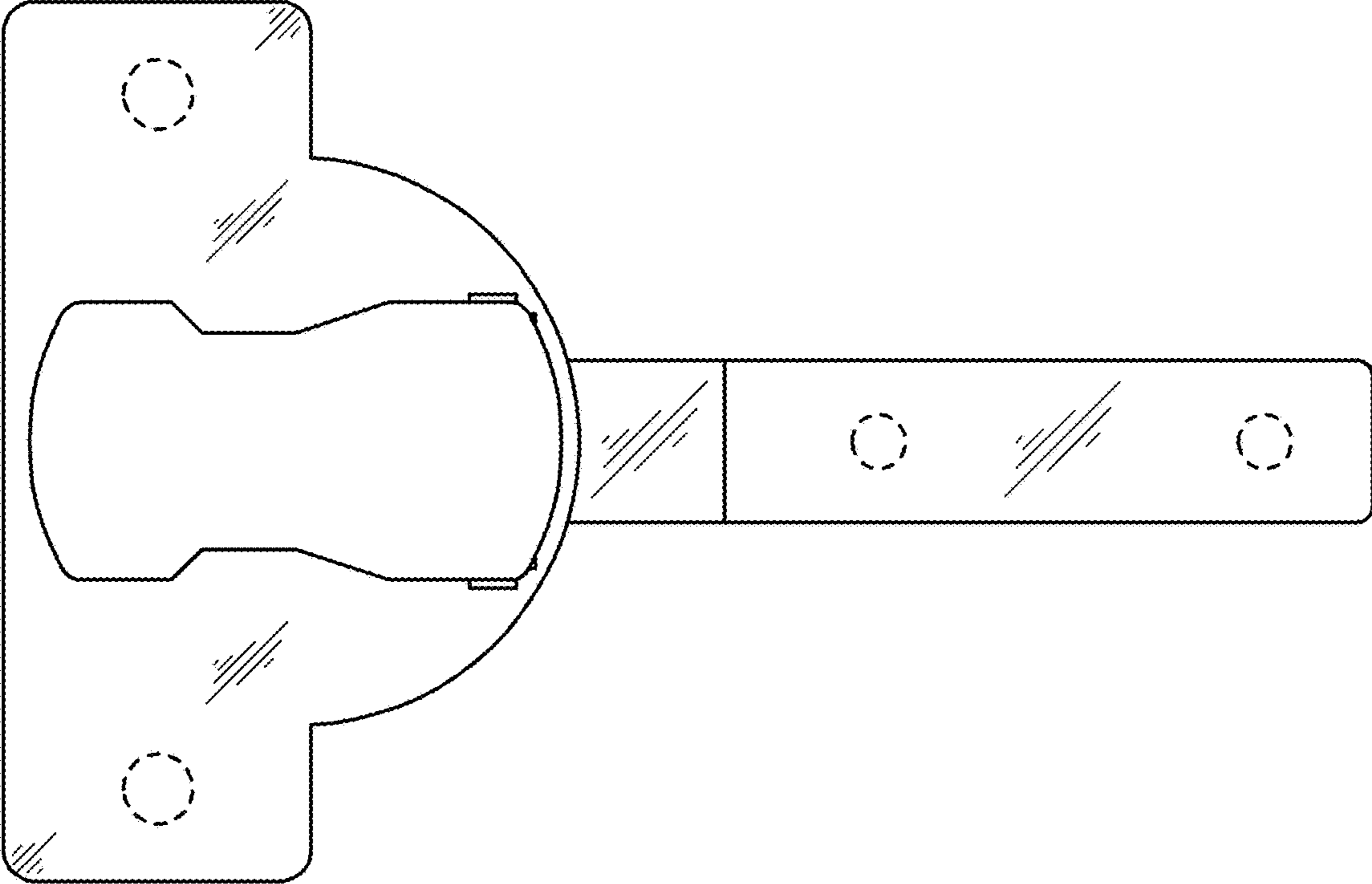


FIG. 4

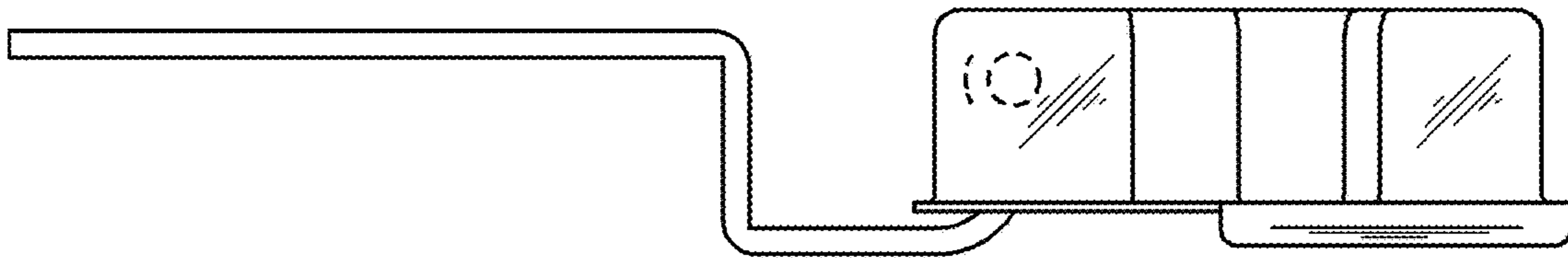


FIG. 5

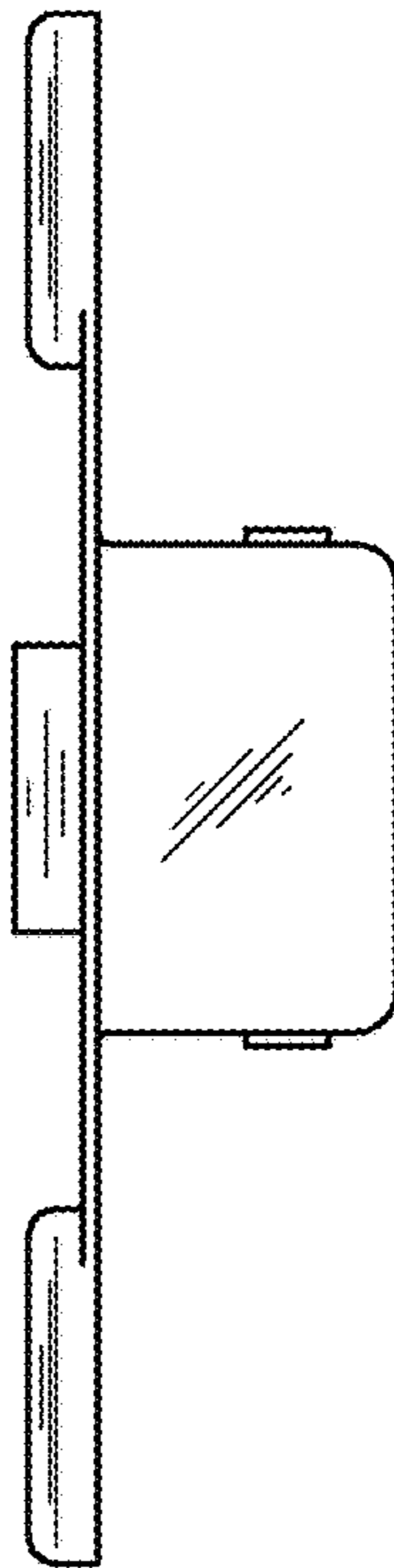


FIG. 6

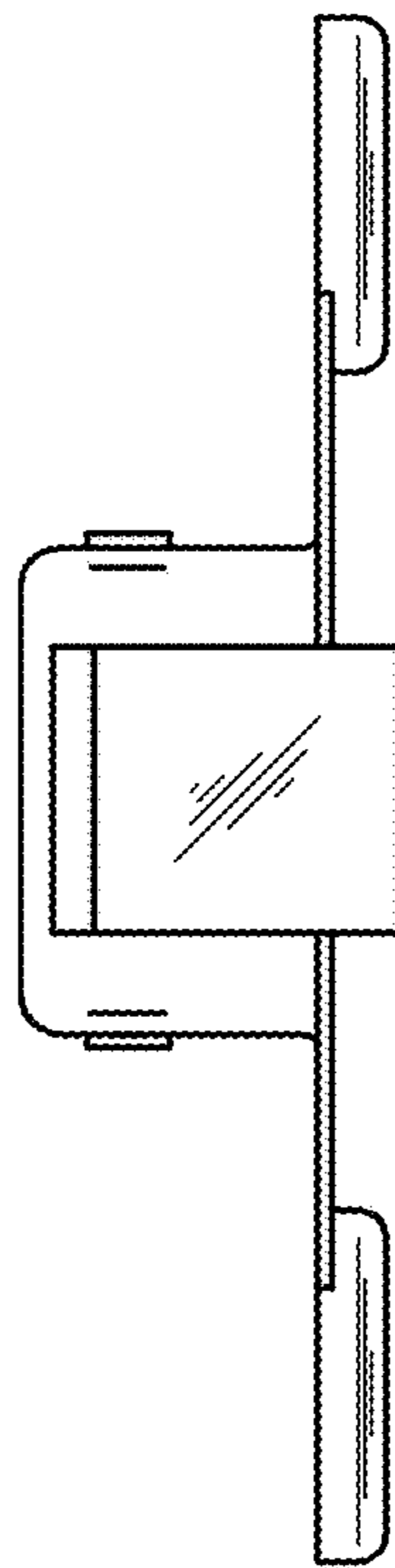




FIG. 7

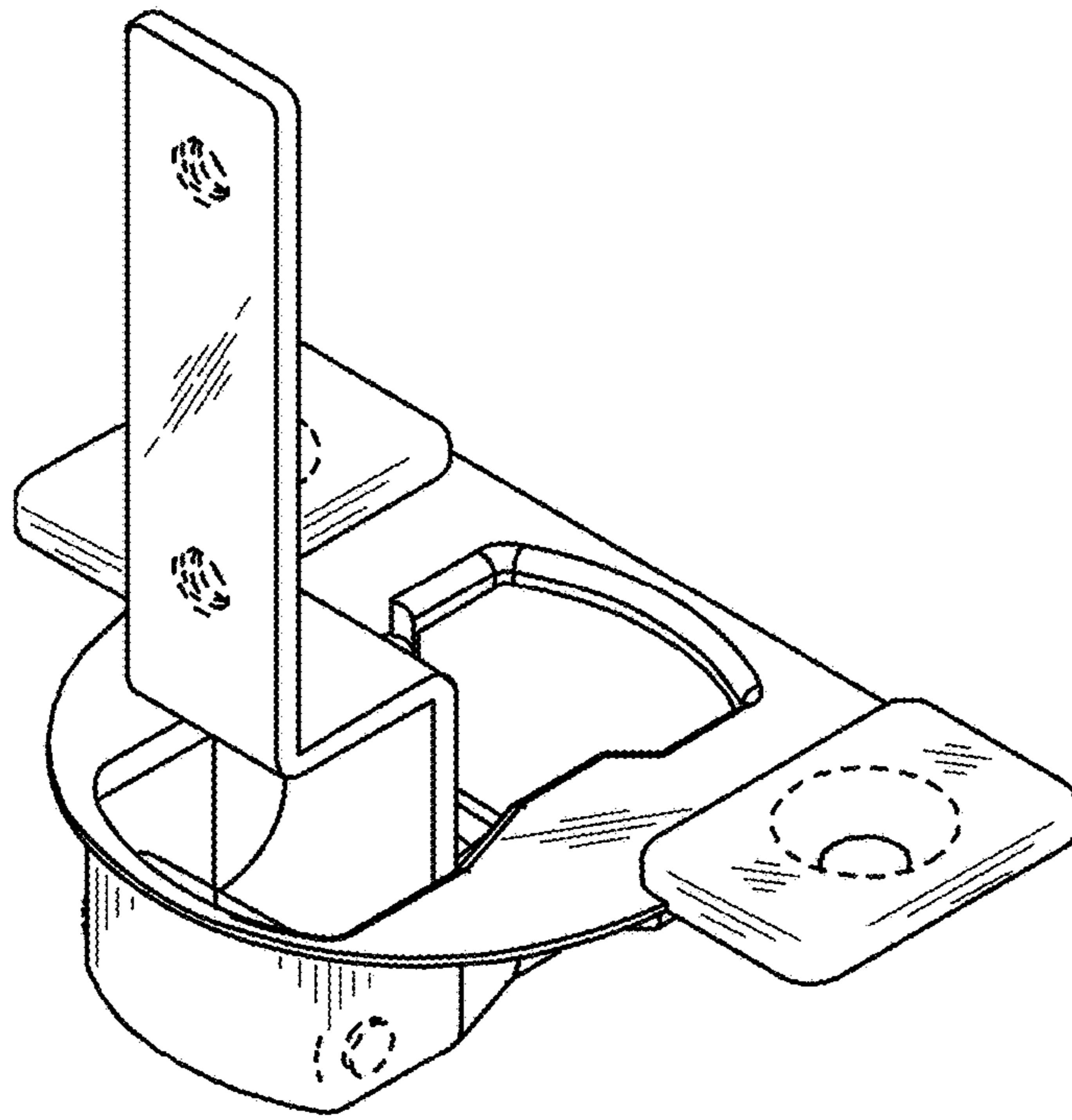


FIG. 8

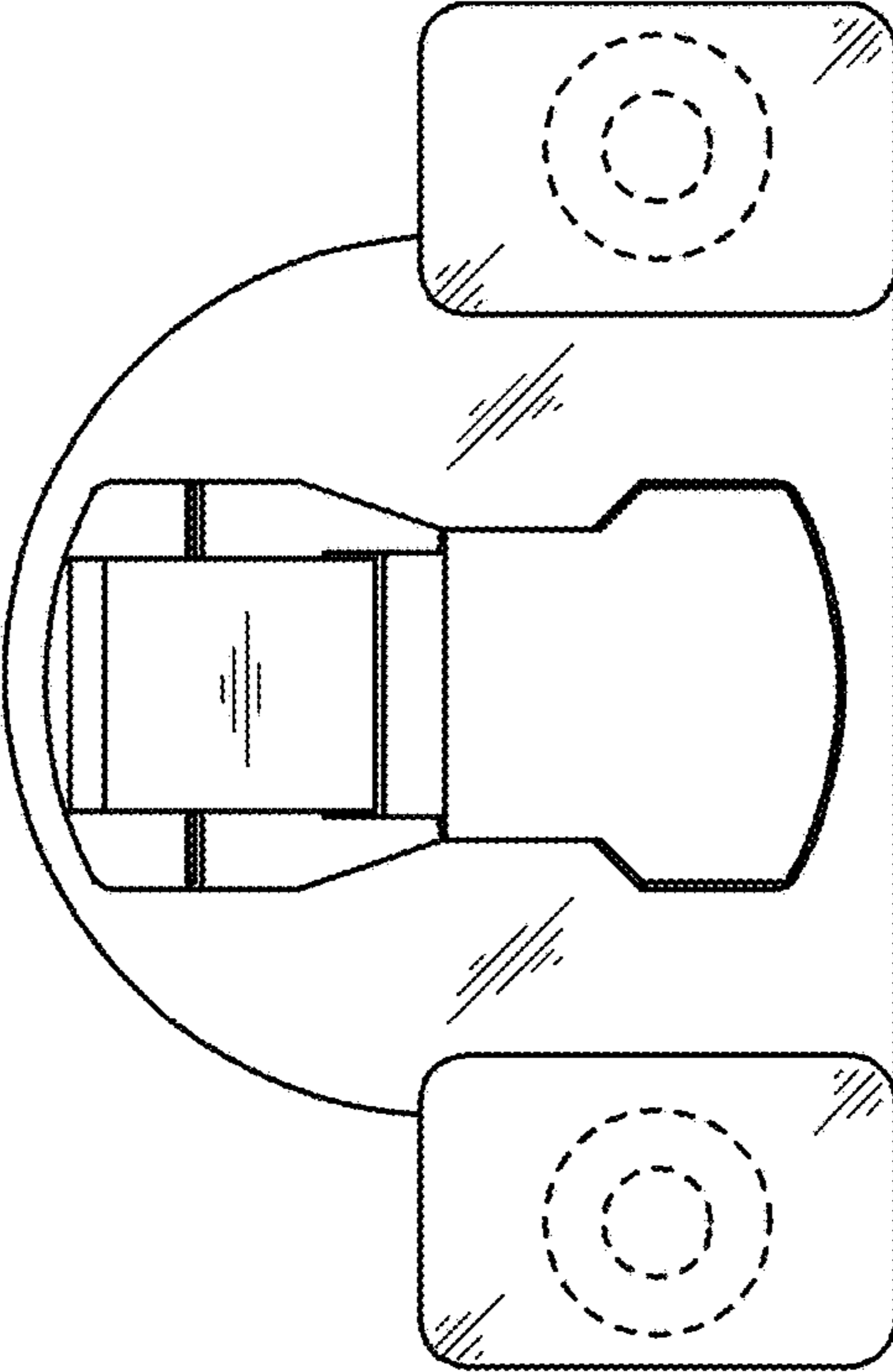


FIG. 9

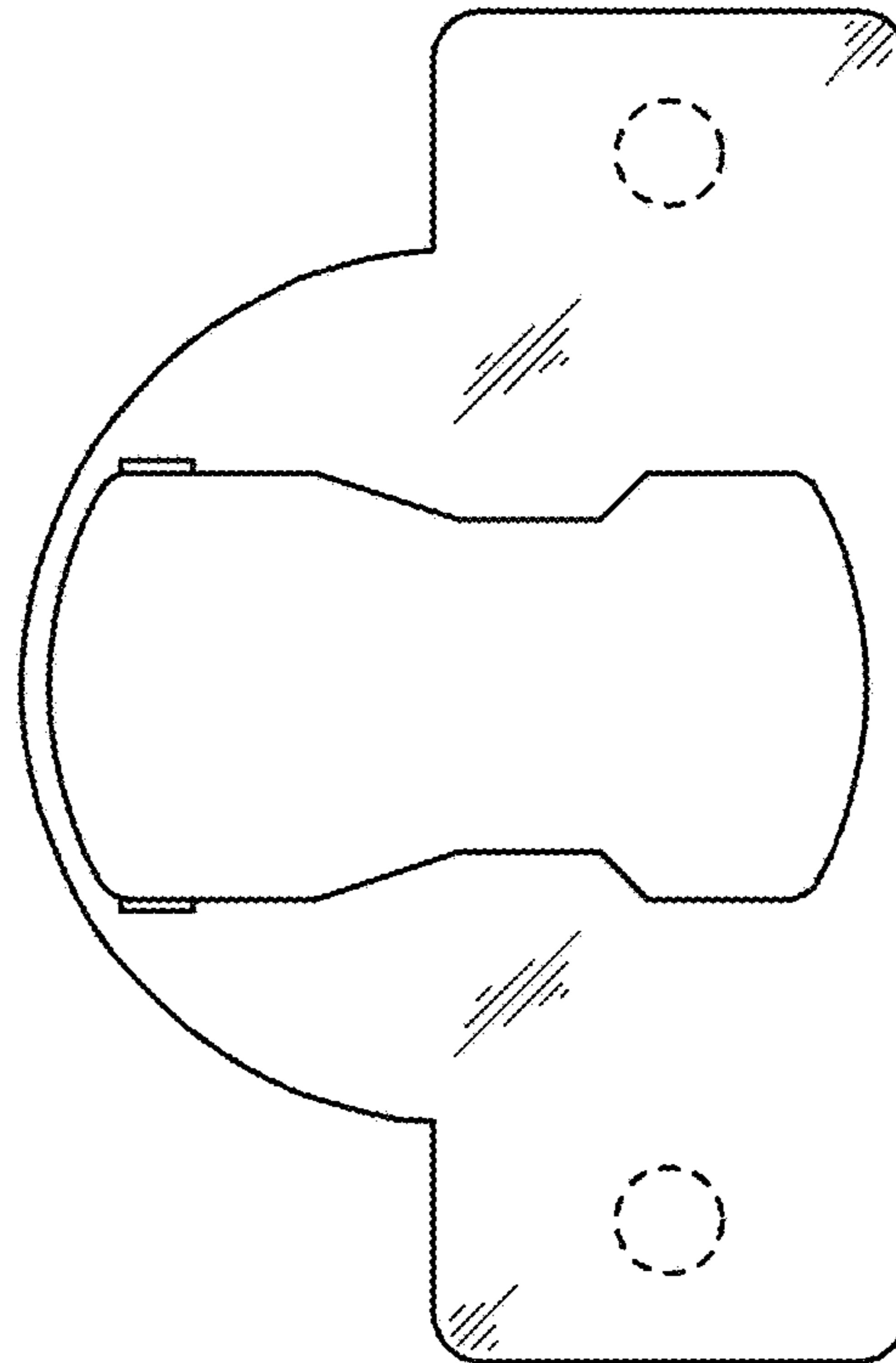


FIG. 10

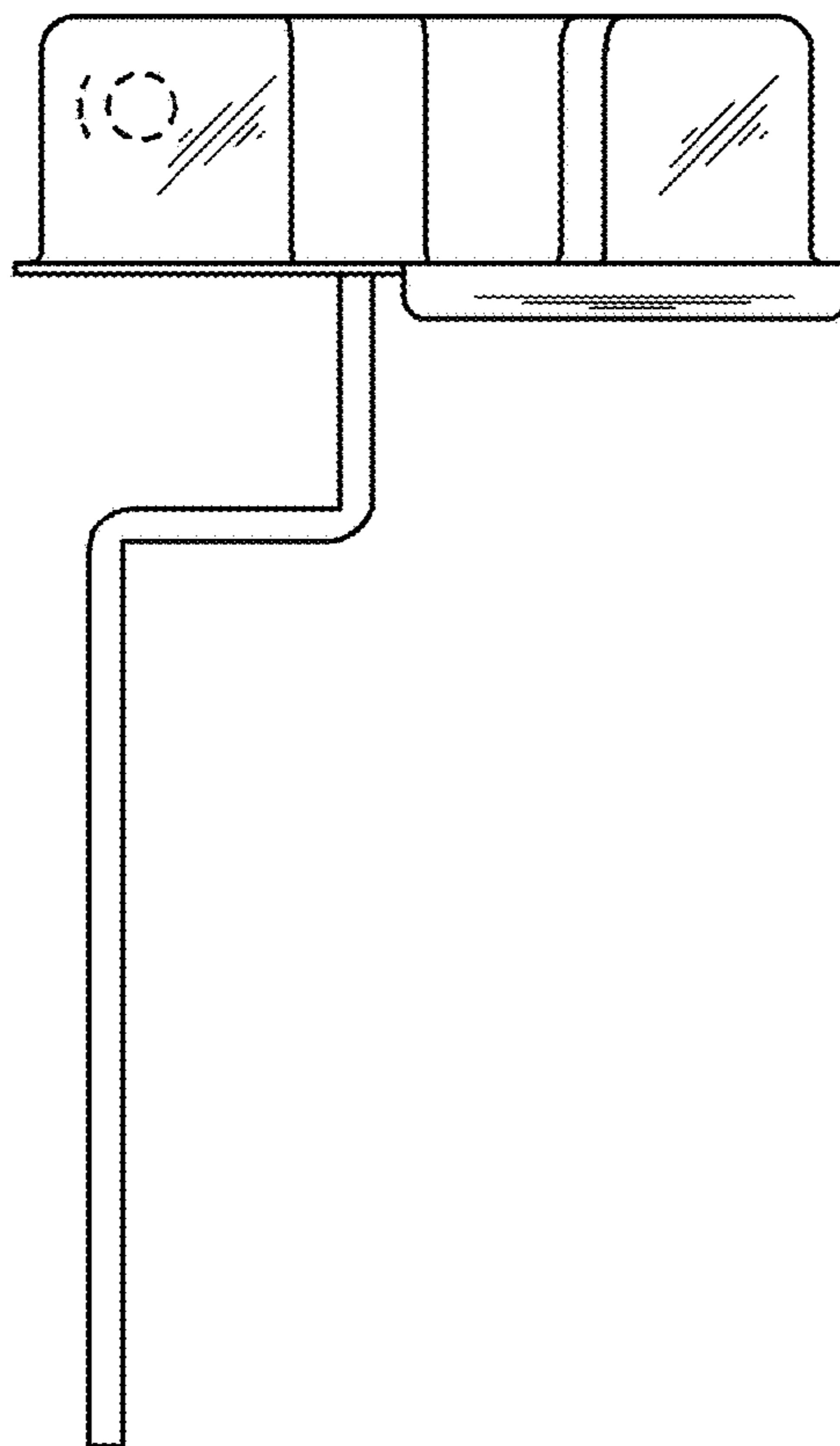


FIG. 11

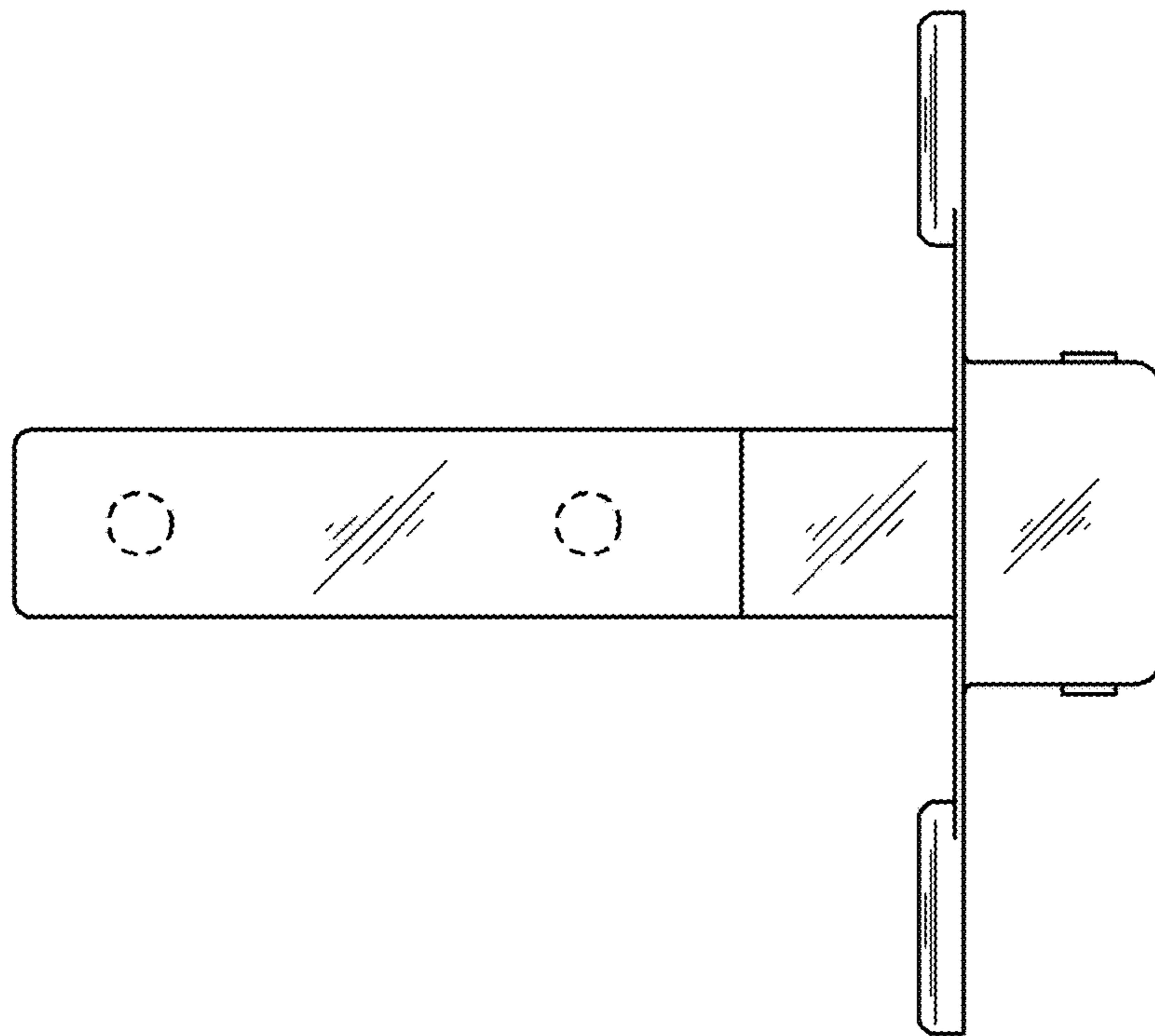


FIG. 12

