



US00D852607S

(12) **United States Design Patent**
Hyma

(10) **Patent No.:** **US D852,607 S**
(45) **Date of Patent:** **** Jul. 2, 2019**

- (54) **CUTTING TOOL**
- (71) Applicant: **Milwaukee Electric Tool Corporation**,
Brookfield, WI (US)
- (72) Inventor: **Steve W. Hyma**, Milwaukee, WI (US)
- (73) Assignee: **Milwaukee Electric Tool Corporation**,
Brookfield, WI (US)
- (**) Term: **15 Years**

D673,440 S 1/2013 Kempker et al.
 D714,611 S 10/2014 Yu Chen
 D721,564 S 1/2015 Purnomohadi
 9,114,543 B2 8/2015 Votolato
 (Continued)

FOREIGN PATENT DOCUMENTS

WO WO05018885 3/2005
 WO WO10078007 7/2010
 (Continued)

- (21) Appl. No.: **29/627,963**
- (22) Filed: **Nov. 30, 2017**

Related U.S. Application Data

- (62) Division of application No. 29/566,660, filed on Jun. 1, 2016, now Pat. No. Des. 807,142.
- (51) **LOC (11) Cl.** **08-03**
- (52) **U.S. Cl.**
USPC **D8/98**
- (58) **Field of Classification Search**
USPC D8/14, 51, 98, 99
CPC .. B26B 1/08; B26B 5/003; B26B 3/00; B26B 3/08; B26B 27/05; B26B 27/00
See application file for complete search history.

OTHER PUBLICATIONS

Klever Innovations website material, Klever Kutter, available at <http://www.kleverinnovations.net/our-products/safety-cutters/klever-kutter/>, illustrating products believed to be publically available prior to May 24, 2016, accessed on May 26, 2016, 4 pages.
 (Continued)

Primary Examiner — Philip S Hyder
 (74) *Attorney, Agent, or Firm* — Reinhart Boerner Van Deuren s.c.

(57) **CLAIM**

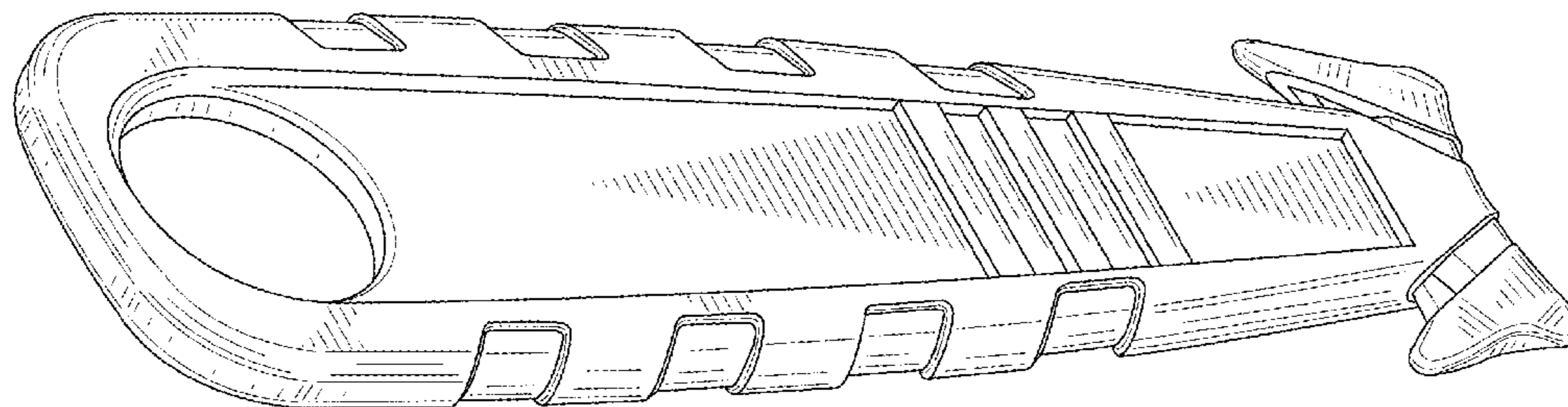
I claim the ornamental design for a cutting tool, as shown and described.

DESCRIPTION

FIG. 1 is a rear perspective view from above of an embodiment of the claimed design;
 FIG. 2 is a front perspective view from below of the claimed design of FIG. 1;
 FIG. 3 is a top view of the claimed design of FIG. 1;
 FIG. 4 is a bottom view of the claimed design of FIG. 1;
 FIG. 5 is a right view of the claimed design of FIG. 1;
 FIG. 6 is a left view of the claimed design of FIG. 1;
 FIG. 7 is a rear view of the claimed design of FIG. 1; and,
 FIG. 8 is a front view of the claimed design of FIG. 1.

1 Claim, 6 Drawing Sheets

- (56) **References Cited**
U.S. PATENT DOCUMENTS
- | | | |
|--------------|---------|----------------|
| 2,471,334 A | 3/1949 | Levin |
| 6,195,896 B1 | 3/2001 | Ireland |
| 6,895,674 B2 | 5/2005 | Ai |
| D521,844 S | 5/2006 | Kempker |
| D527,604 S | 9/2006 | Kempker |
| D575,613 S | 8/2008 | Jennings |
| 7,533,595 B2 | 5/2009 | Domenico |
| D636,248 S | 4/2011 | Still |
| D649,001 S | 11/2011 | Still |
| D660,674 S | 5/2012 | Still |
| D660,675 S | 5/2012 | Gringer et al. |



(56)

References Cited

U.S. PATENT DOCUMENTS

D767,966	S	*	10/2016	Standlee	D8/98
D784,107	S	*	4/2017	Chen	D8/98
2002/0194734	A1		12/2002	Huang		
2008/0016702	A1		1/2008	Domenico		
2008/0065113	A1		3/2008	Smith		
2009/0235533	A1		9/2009	Huang		
2010/0263219	A1		10/2010	Kempker et al.		
2010/0293796	A1		11/2010	Votolato		
2011/0061503	A1		3/2011	Mayes		
2013/0199047	A1		8/2013	Herlitz		
2013/0298409	A1		11/2013	Jacobs et al.		
2014/0173914	A1		6/2014	Yu Chen		
2014/0345146	A1		11/2014	Schekalla		
2015/0298330	A1		10/2015	Yu Chen		

FOREIGN PATENT DOCUMENTS

WO	WO11028239	3/2011
WO	WO13110263	8/2013

OTHER PUBLICATIONS

Klever Innovations website material, Klever Konzept, available at <http://www.kleverinnovations.net/our-products/safety-cutters/klever-konzept/>, illustrating products believed to be publically available prior to May 24, 2016, accessed on May 26, 2016, 4 pages.

Klever Innovations website material, Klever XChange, <http://www.kleverinnovations.net/our-products/safety-cutters/klever-xchange/>, illustrating products believed to be publically available prior to May 24, 2016, accessed on May 26, 2016, 7 pages.

Klever Innovations website material, Klever Excel, <http://www.kleverinnovations.net/our-products/safety-cutters/klever-excel/>, illustrating products believed to be publically available prior to May 24, 2016, accessed on May 26, 2016, 3 pages.

Klever Innovations website material, Metal Detectable Klever Kutter, <http://www.kleverinnovations.net/our-products/safety-cutters/metal-detectable/>, illustrating products believed to be publically available prior to May 24, 2016, accessed on May 26, 2016, 3 pages.

Northern Safety and Industrial website material, Klever X-Change 3 Head Safety Cutter, <https://www.northernsafety.com/Product/29296/Klever-XChange-3-Head-Safety-Cutter>, illustrating products believed to be publically available prior to May 24, 2016, accessed on Jun. 29, 2016, 1 page.

POSPaper website material, Klever Kutter Safety Cutter (3-Pack), http://www.pospaper.com/klever-kutter-safety-cutter.html?cmp=googleproducts&kw=klever-kutter-safety-cutter&gclid=Cj0KEQjw94-6BRDkk568hcyg3-YBEiQAnmuwkv8FFsagh7OmIDxX3-6DbNb0E_8sRSJ6vkCJQLfkSegaAnRm8P8HAQ, illustrating products believed to be publically available prior to May 24, 2016, accessed on Jun. 29, 2016, 1 page.

OfficeWorld website material, Klever Kutter Retractable Box Cutter Knife with Double Shielded Blade, 5 / Pack, http://www.officeworld.com/Worlds-Biggest-Selection/COS091459/14Q1/?gclid=Cj0KEQjw94-6BRDkk568hcyg3-YBEiQAnmuwkvTj9ybkwxMV3tiSqx-VQZRkAC7c_ov5-J3ELWjwbXlaAswK8P8HAQ, illustrating products believed to be publically available prior to May 24, 2016, accessed on Jun. 29, 2016, 2 pages.

* cited by examiner

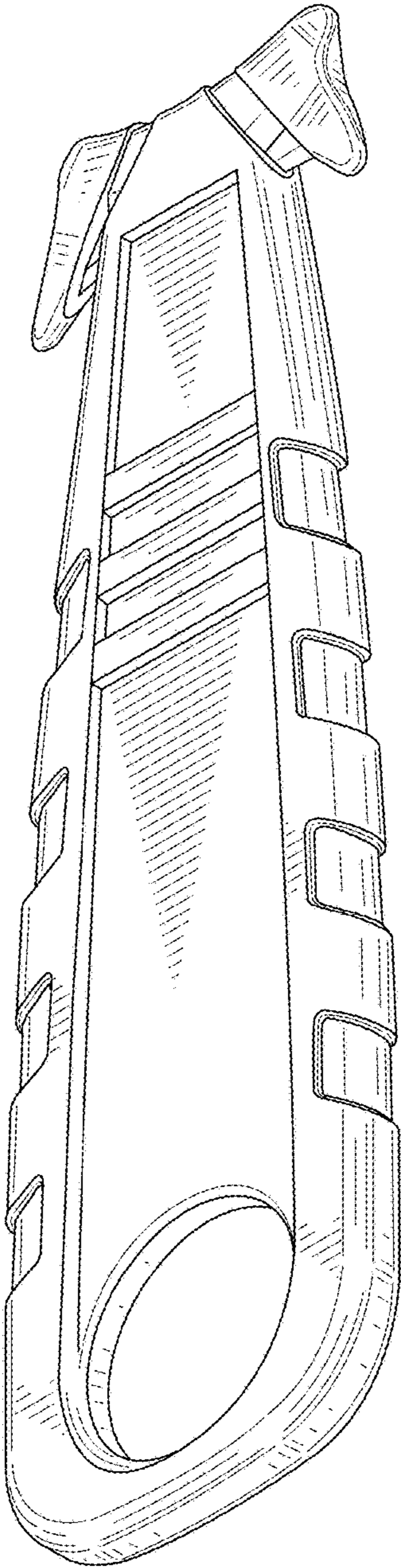


FIG. 1

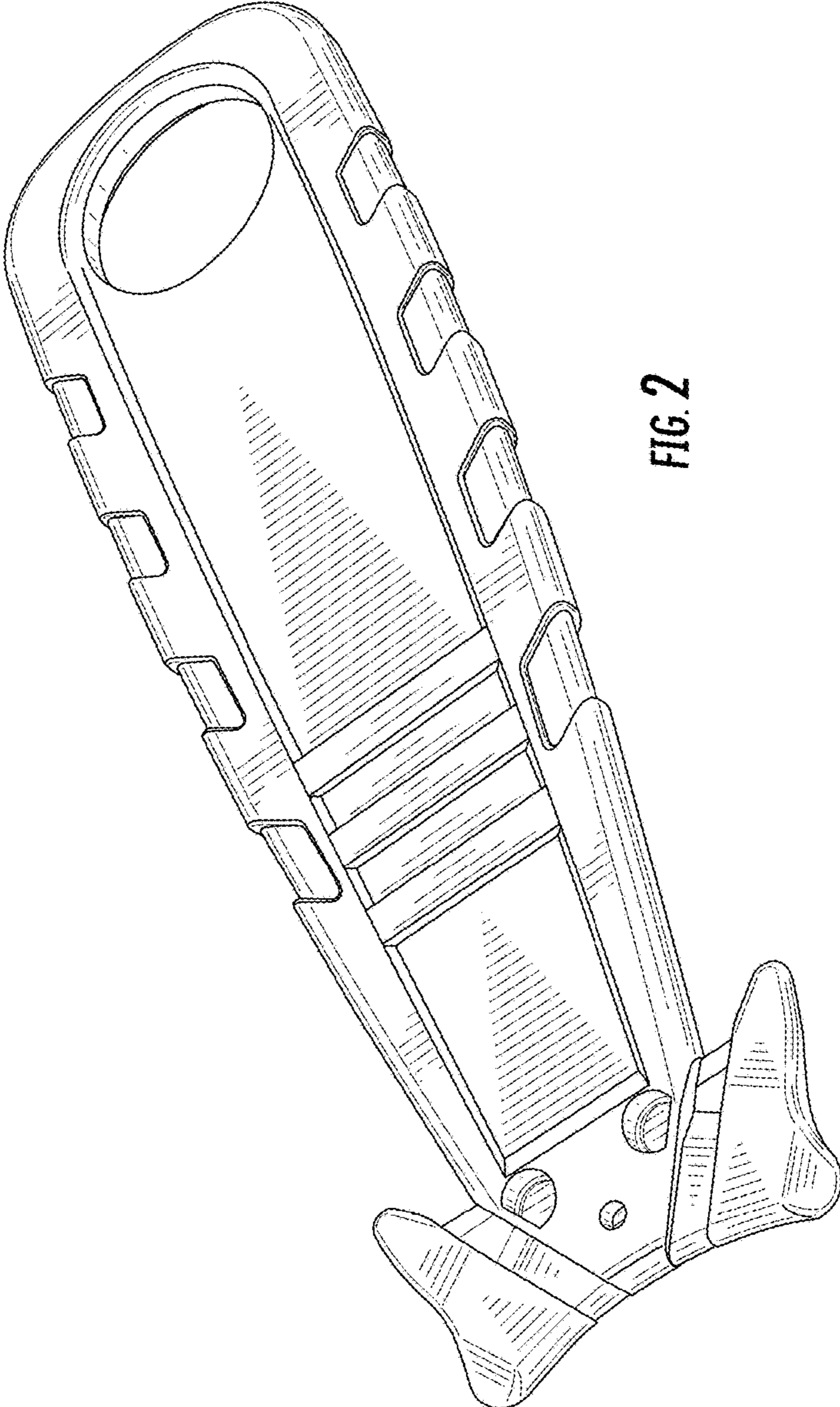


FIG. 2

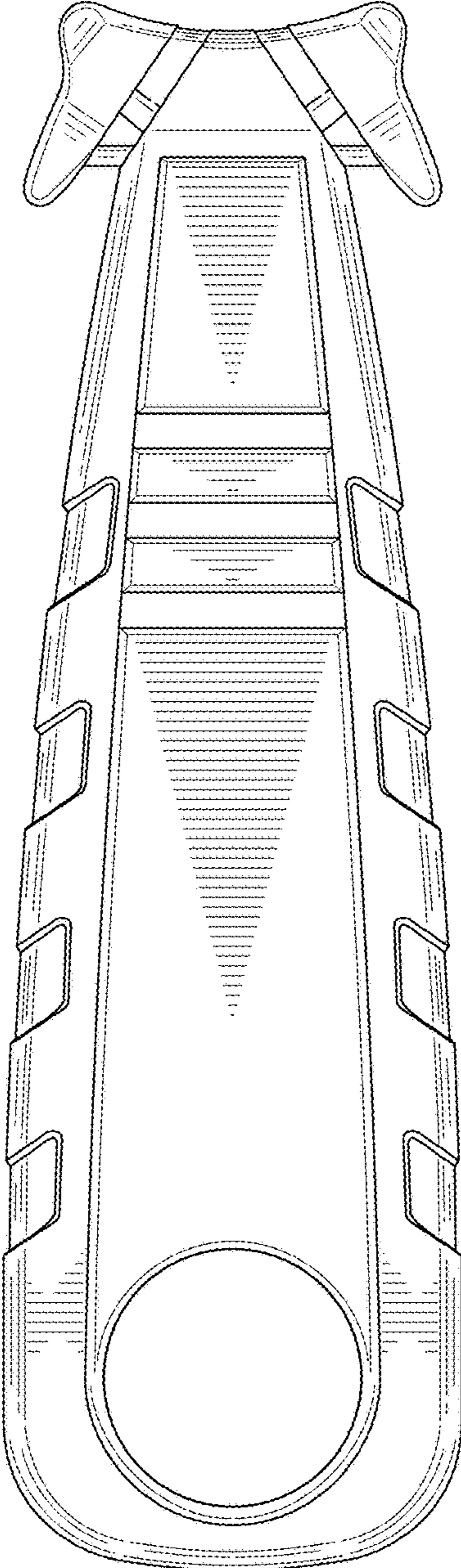


FIG. 3

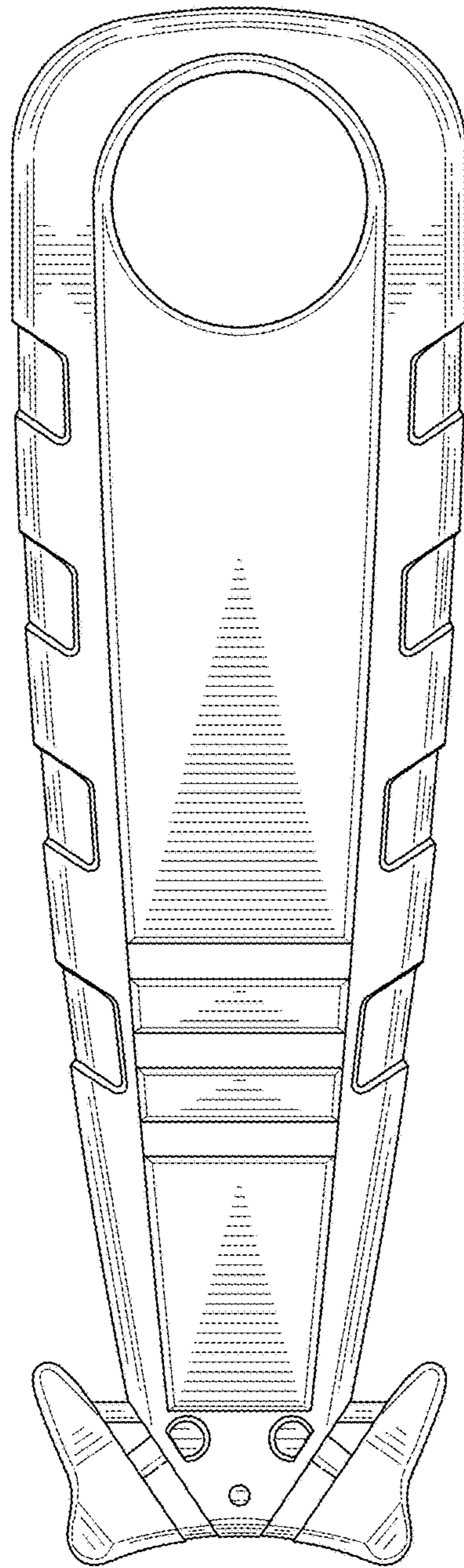


FIG. 4

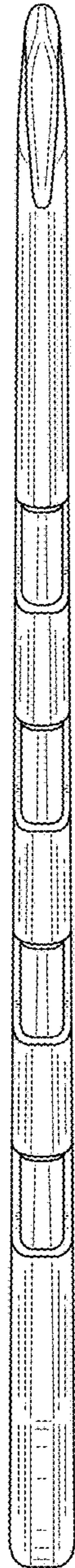


FIG. 6



FIG. 5



FIG. 7



FIG. 8