

US00D852600S

(12) **United States Design Patent** (10) **Patent No.:** **US D852,600 S**
Dovel et al. (45) **Date of Patent:** **** Jul. 2, 2019**

(54) **POWERED CUTTING TOOL SHARPENER**
 (71) Applicant: **Darex, LLC**, Ashland, OR (US)
 (72) Inventors: **Daniel T. Dovel**, Shady Cove, OR (US); **Conner Samuel Macfarlane**, Ashland, OR (US); **Michael Laut**, Raleigh, NC (US); **Steven Bockmann**, Durham, NC (US)

D363,867 S * 11/1995 Harrison D8/63
 D409,891 S * 5/1999 Friel D8/63
 D523,717 S * 6/2006 Guo D8/62
 D601,598 S * 10/2009 Yang D15/125
 D680,399 S * 4/2013 Elek D8/63
 8,696,407 B2* 4/2014 Dovel B24B 3/52
 451/45
 8,784,162 B1* 7/2014 Dovel B24B 3/54
 451/303
 9,914,193 B2* 3/2018 Dovel B24B 21/20
 D829,070 S * 9/2018 Baker D8/63

(73) Assignee: **Darex, LLC**, Ashland, OR (US)
 (**) Term: **15 Years**

* cited by examiner

Primary Examiner — Philip S Hyder

(21) Appl. No.: **29/627,679**

(74) *Attorney, Agent, or Firm* — Hall Estill Attorneys at Law

(22) Filed: **Nov. 29, 2017**

(57) **CLAIM**

The ornamental design for a powered cutting tool sharpener, as shown and described.

(51) **LOC (11) Cl.** **08-05**

(52) **U.S. Cl.** **D8/63**
USPC

DESCRIPTION

(58) **Field of Classification Search**
 USPC D8/63, 90, 91, 92, 93
 CPC B24B 3/54; B24B 3/36; B24B 3/58; B24B 3/00; B24B 23/06; B24B 23/08; B24B 15/00; B24B 15/06; B24B 15/063; B24B 15/08
 See application file for complete search history.

FIG. 1 is a perspective view of a powered cutting tool sharpener showing my new design.
 FIG. 2 is a front view of the design.
 FIG. 3 is a rear view of the design.
 FIG. 4 is a right side view of the design.
 FIG. 5 is a left side view of the design.
 FIG. 6 is a top plan view of the design; and,
 FIG. 7 is a bottom plan view of the design.
 The broken lines depict portions of the powered cutting tool sharpener in which the design is embodied that are not considered part of the claimed design.

(56) **References Cited**

U.S. PATENT DOCUMENTS

D218,008 S * 7/1970 Hugo D8/63
 D328,410 S * 8/1992 Friel D8/63

1 Claim, 7 Drawing Sheets

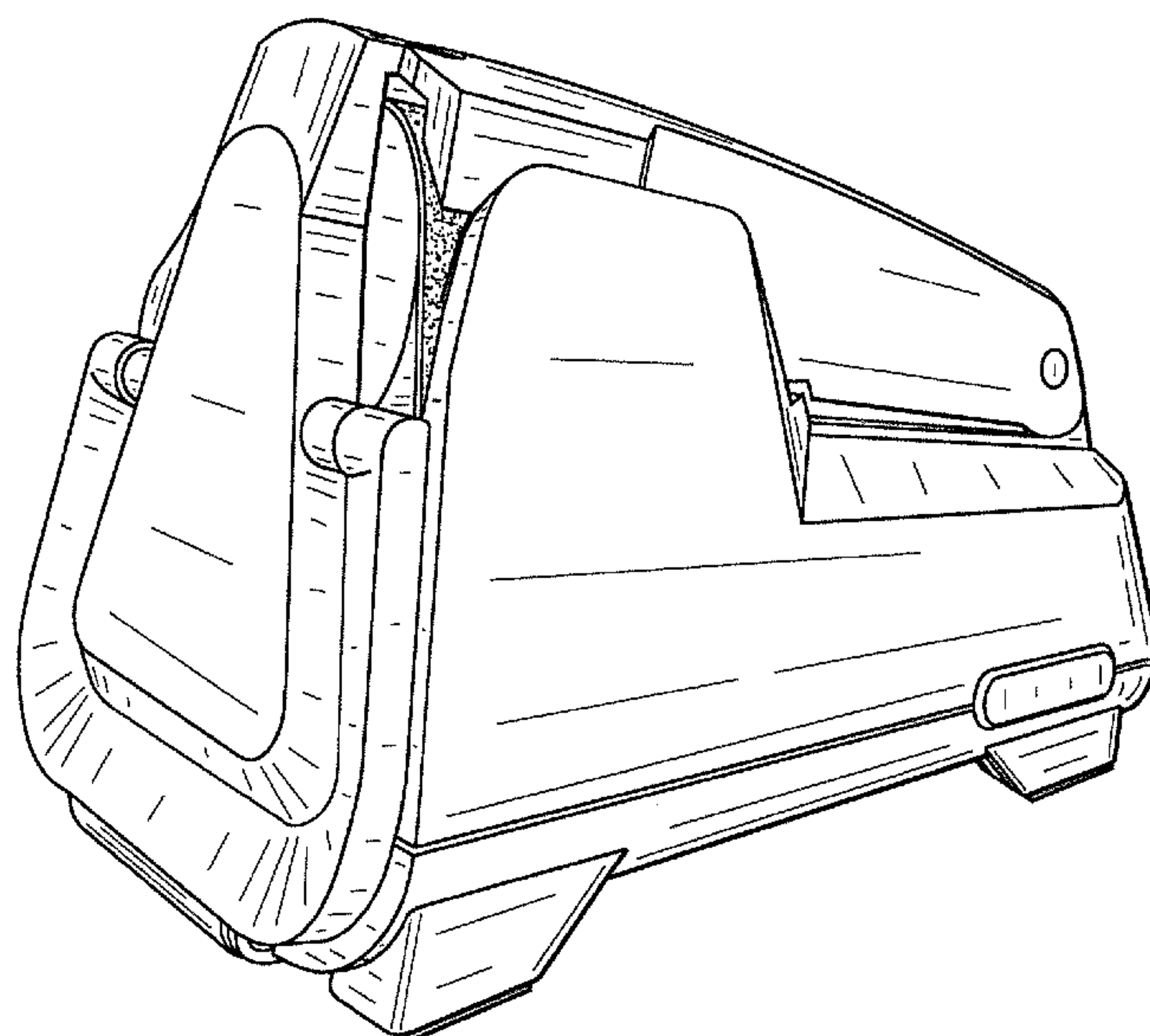


FIG. 1

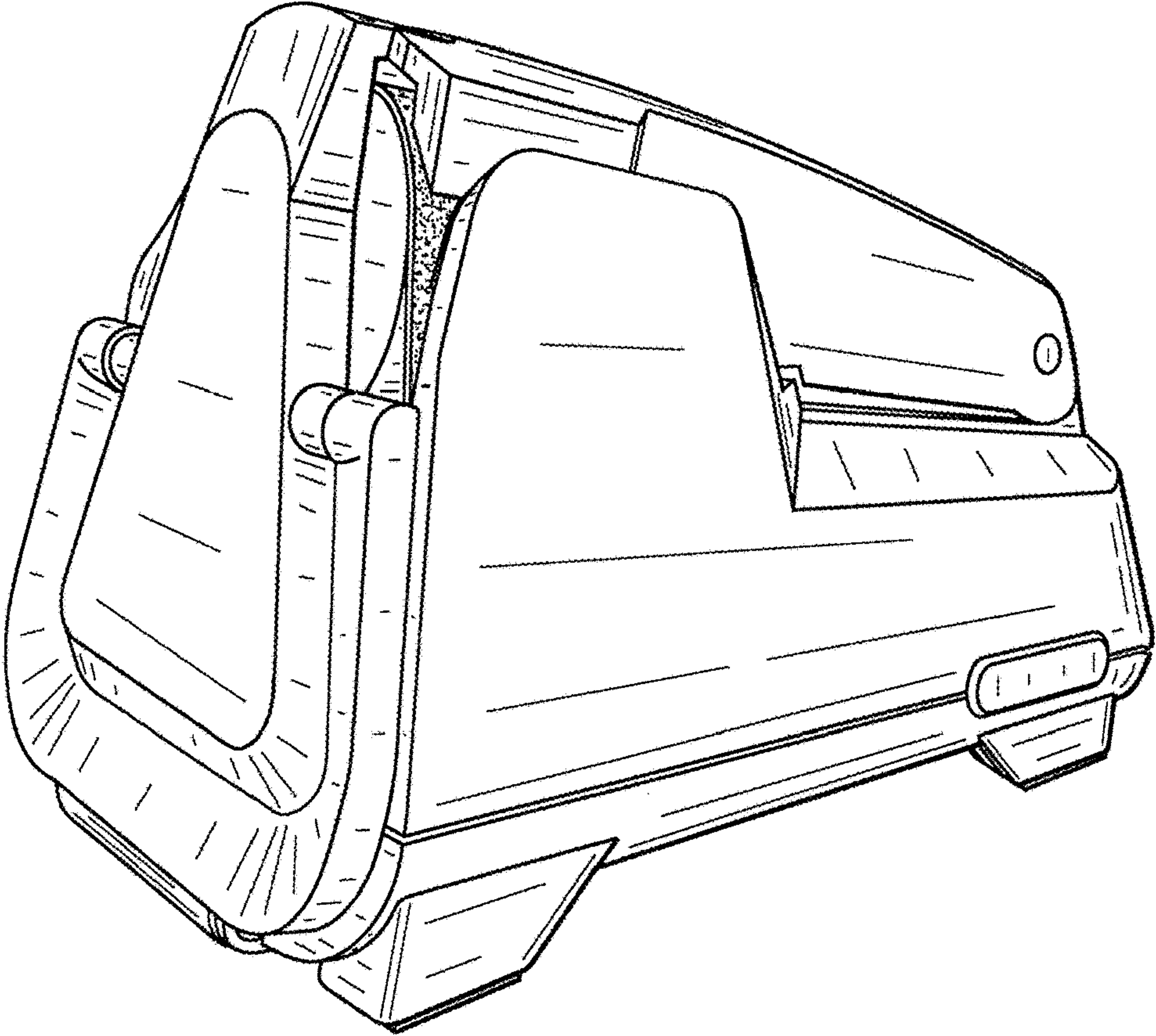


FIG. 2

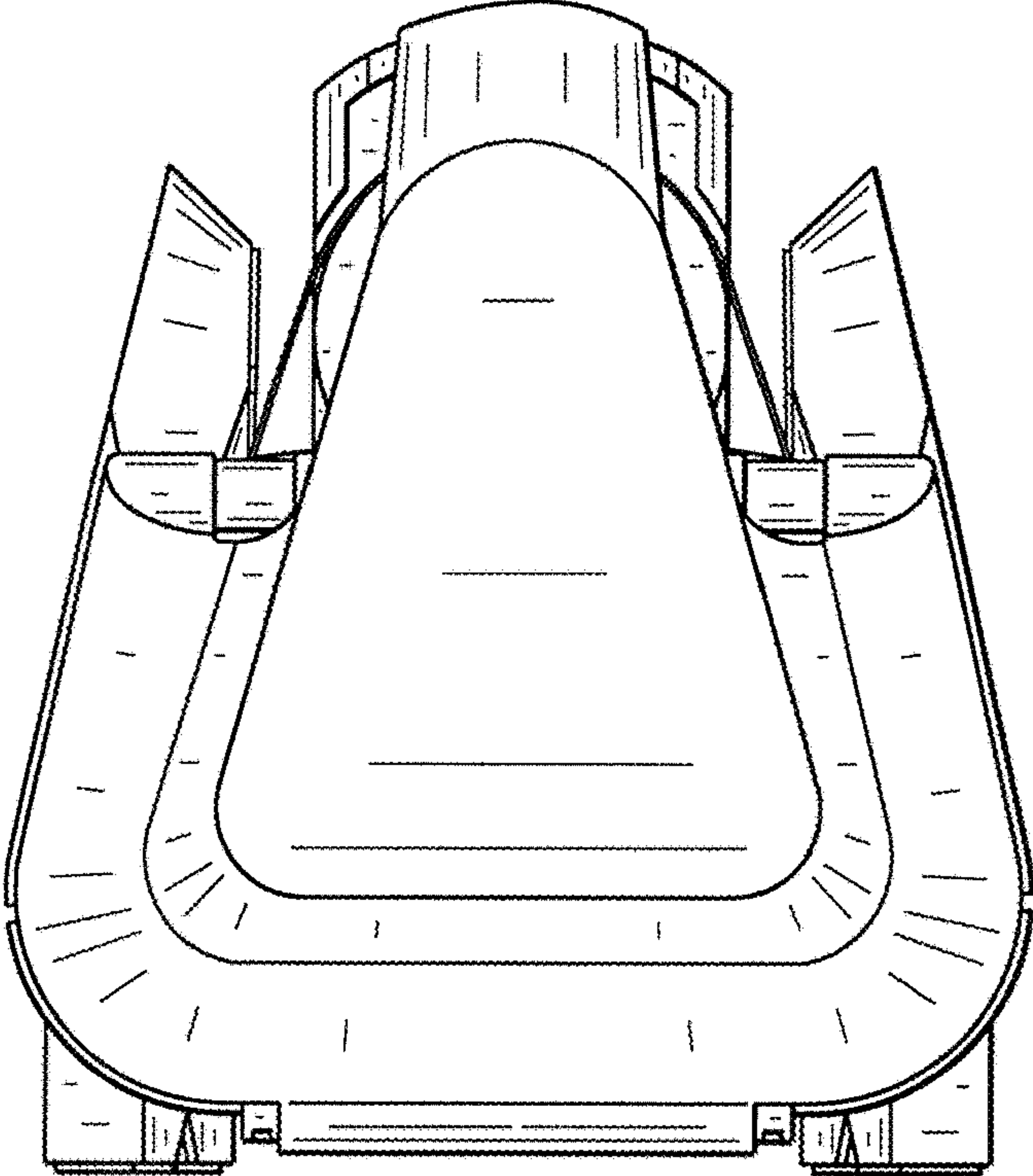


FIG. 3

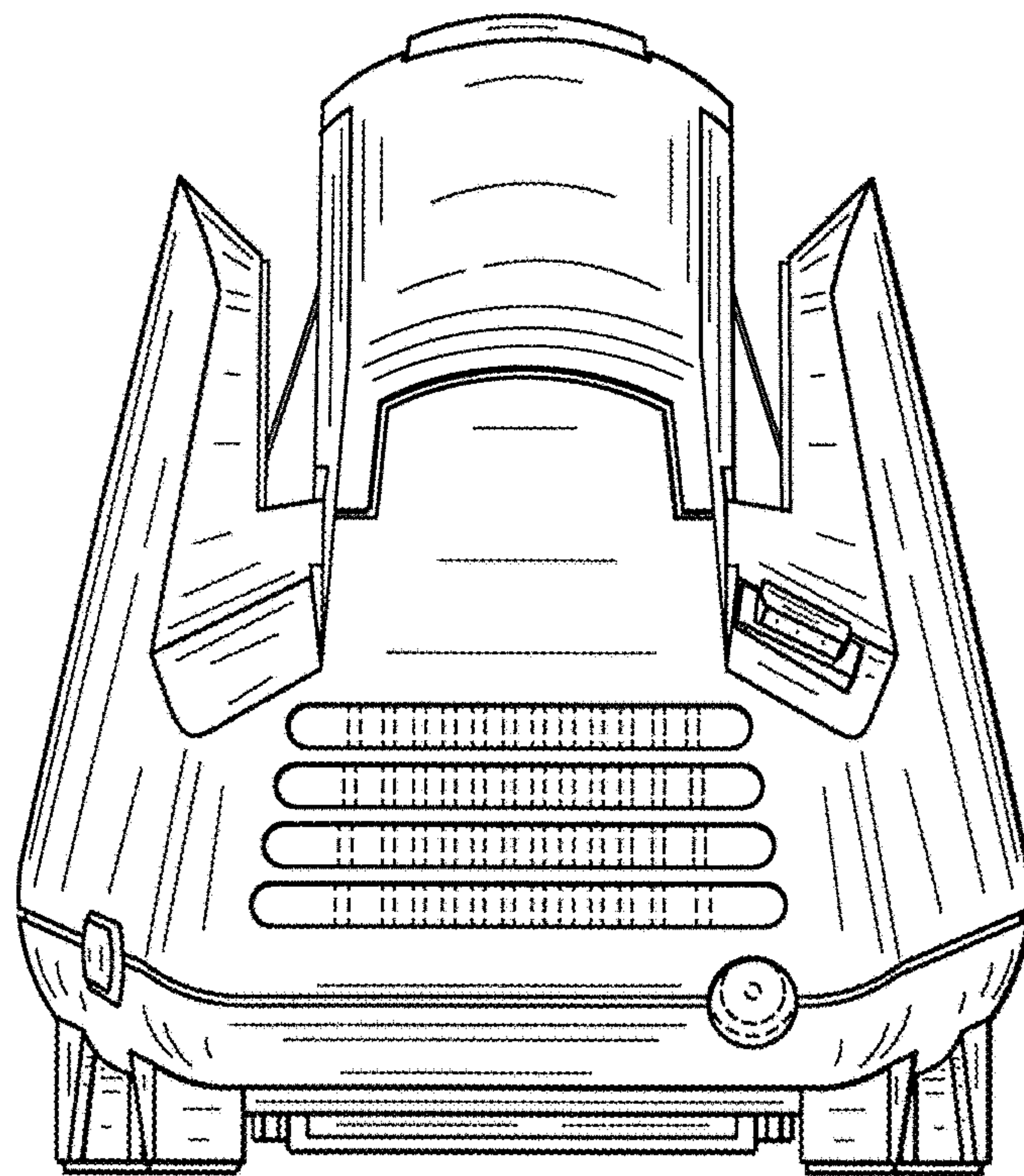


FIG. 4

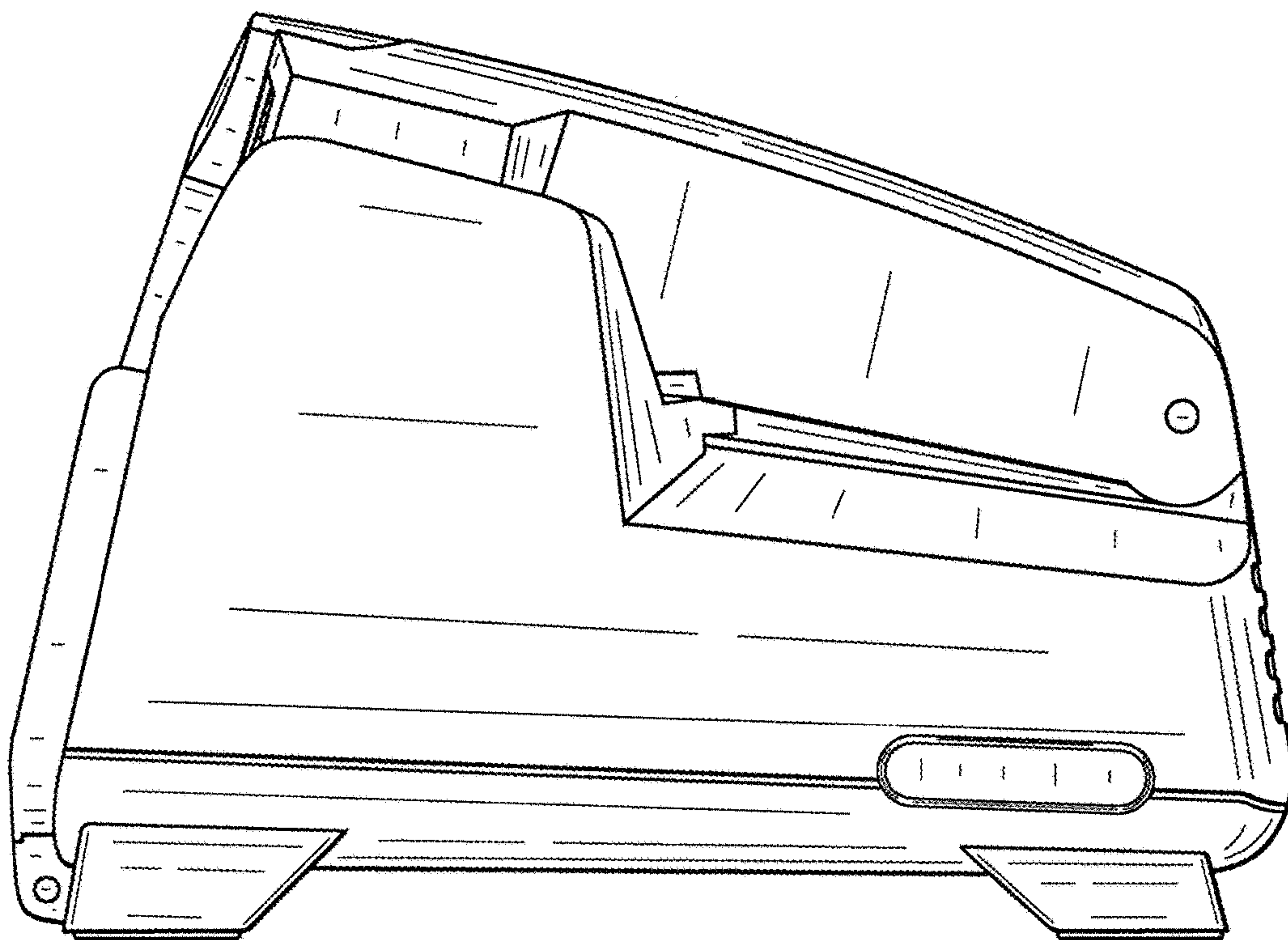


FIG. 5

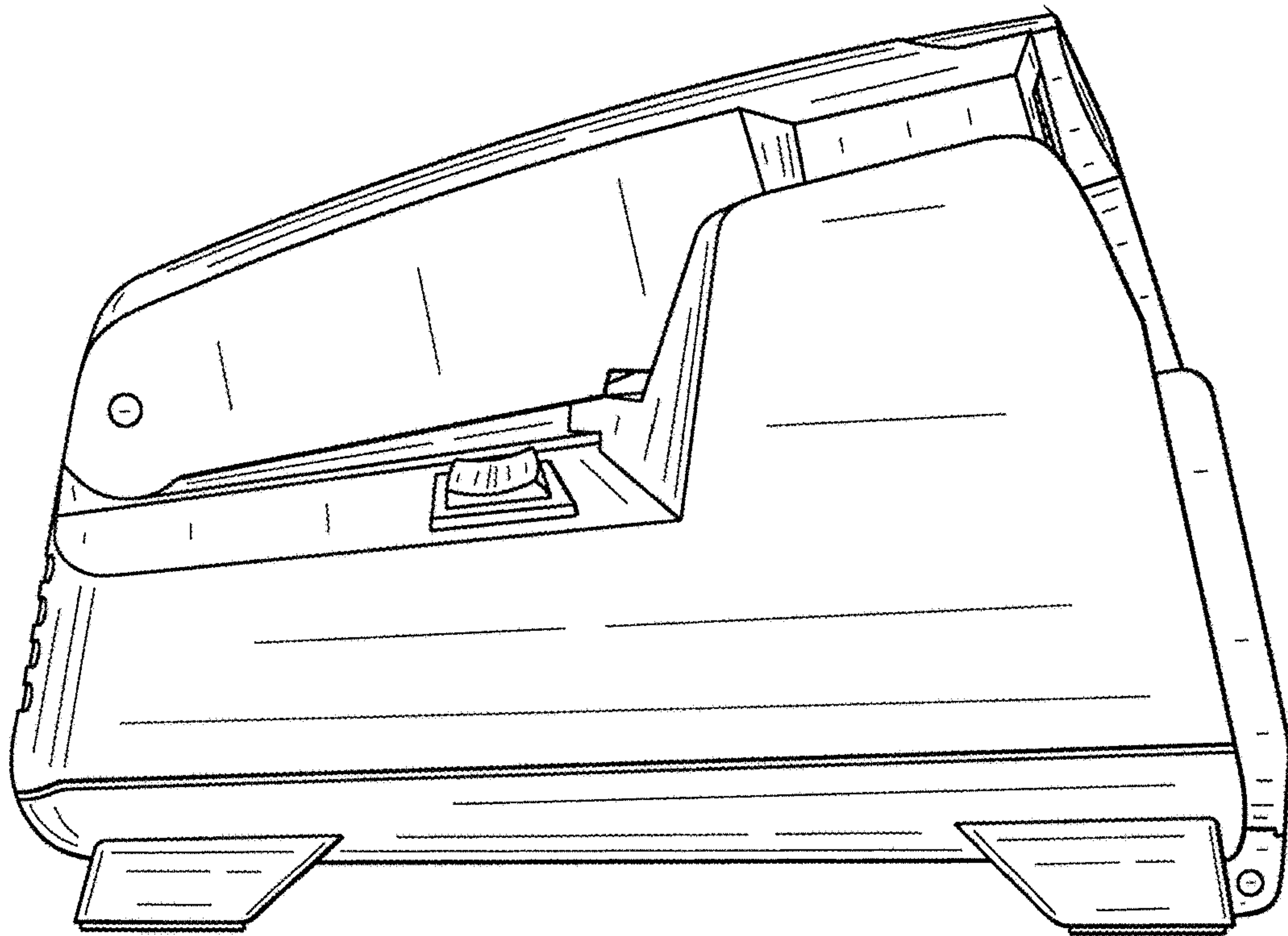


FIG. 6

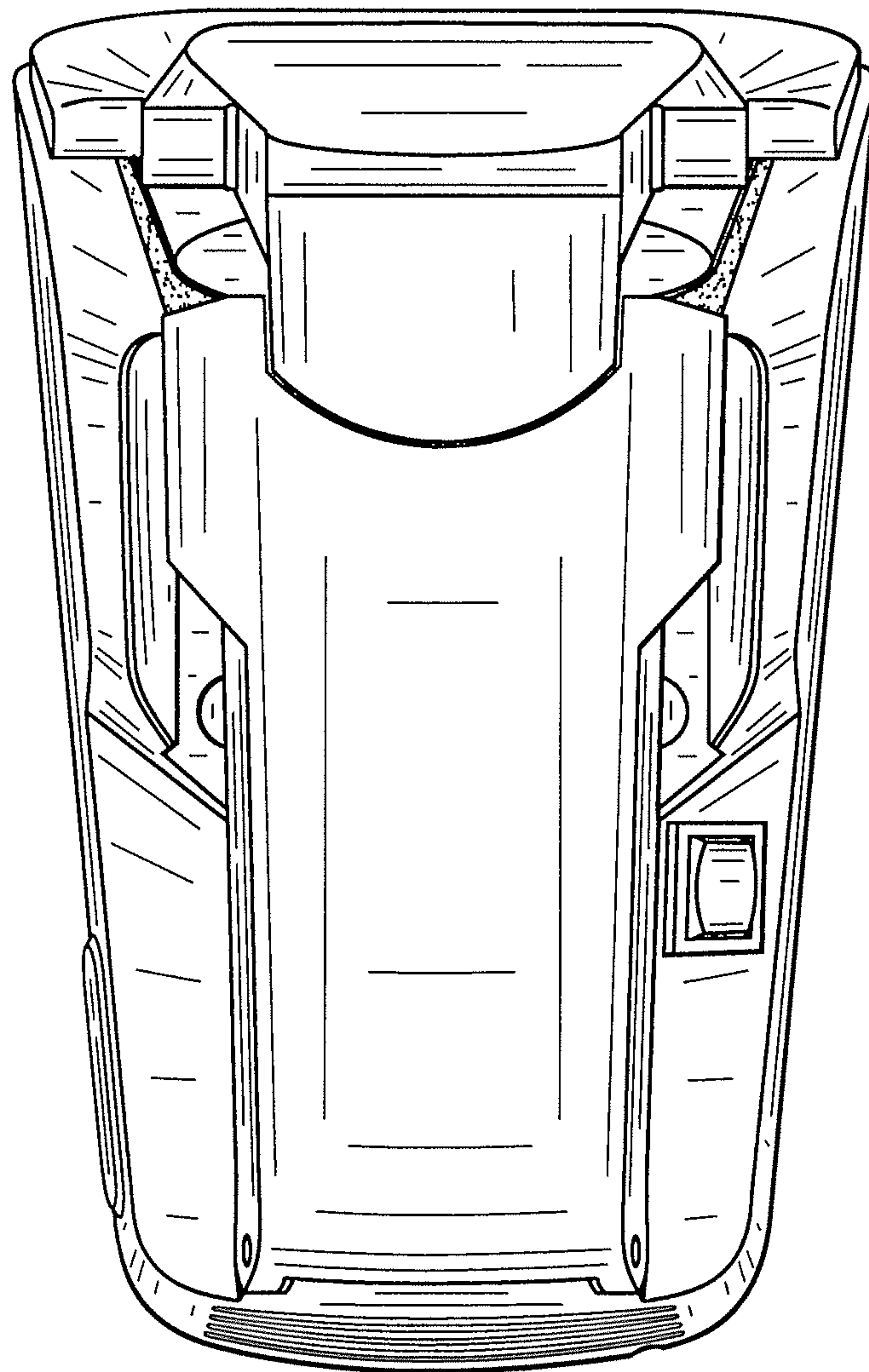


FIG. 7

