



US00D852598S

(12) **United States Design Patent**  
**Tang**

(10) **Patent No.:** **US D852,598 S**  
(45) **Date of Patent:** **\*\* Jul. 2, 2019**

- (54) **AIR SPADE**
- (71) Applicant: **Ningbo Yinzhou Yongdun Pneumatic Tools Manufacturing Co., Ltd, Ningbo (CN)**
- (72) Inventor: **Jinhao Tang, Ningbo (CN)**
- (73) Assignee: **NINGBO YINZHOU YONGDUN PNEUMATIC TOOLS MANUFACTURING CO., LTD., Ningbo (CN)**
- (\*\*) Term: **15 Years**
- (21) Appl. No.: **29/611,968**
- (22) Filed: **Jul. 27, 2017**
- (30) **Foreign Application Priority Data**

- 4,648,609 A \* 3/1987 Deike ..... B25D 17/082  
173/131
- 5,107,911 A \* 4/1992 Plakotaris ..... B25D 17/02  
144/193.1
- D441,629 S \* 5/2001 Price ..... D8/68
- 6,561,058 B1 \* 5/2003 Steinke ..... B62K 21/26  
74/551.8
- 6,898,998 B2 \* 5/2005 Shyu ..... B25B 13/461  
81/124.7
- D552,949 S \* 10/2007 Strahorn ..... D8/21
- D613,139 S \* 4/2010 Lai ..... D8/21
- D639,646 S \* 6/2011 Finley, Jr. .... D8/387
- 8,485,070 B2 \* 7/2013 Darbinyan ..... B25B 13/28  
81/112
- 8,647,257 B2 \* 2/2014 Jansen ..... A61B 1/005  
600/104
- D715,611 S \* 10/2014 Stamm ..... D8/24

- Jun. 14, 2017 (CN) ..... 2017 3 0242052
- (51) **LOC (11) Cl.** ..... **08-05**
- (52) **U.S. Cl.**  
USPC ..... **D8/61**
- (58) **Field of Classification Search**  
USPC ..... D8/70, 82, 85-87, 105, 21, 25, 81;  
D15/139; 81/436, 460-461, 63.1, 177.2;  
144/193.1  
CPC ..... B25B 13/06; B25B 13/5091; B25B 15/00;  
B25B 15/001; B25B 15/002; B25B  
15/004; B25B 15/005; B25B 15/008;  
B25B 15/02; B25B 15/04; B25B 17/00;  
B25B 21/007; B25B 23/00; B25B  
23/0035; B25B 23/005; B25B 23/12;  
B25B 23/1405; B25B 27/18; B25B 31/12;  
B25B 51/08; B25B 51/108; B25B  
2251/66; B23P 15/00  
See application file for complete search history.

- (56) **References Cited**  
U.S. PATENT DOCUMENTS  
3,113,479 A \* 12/1963 Swingle ..... B25B 23/16  
403/362  
4,576,241 A \* 3/1986 Emonet ..... B25D 17/043  
173/162.2

*Primary Examiner* — Austin Murphy  
(74) *Attorney, Agent, or Firm* — Ladas & Parry, LLP

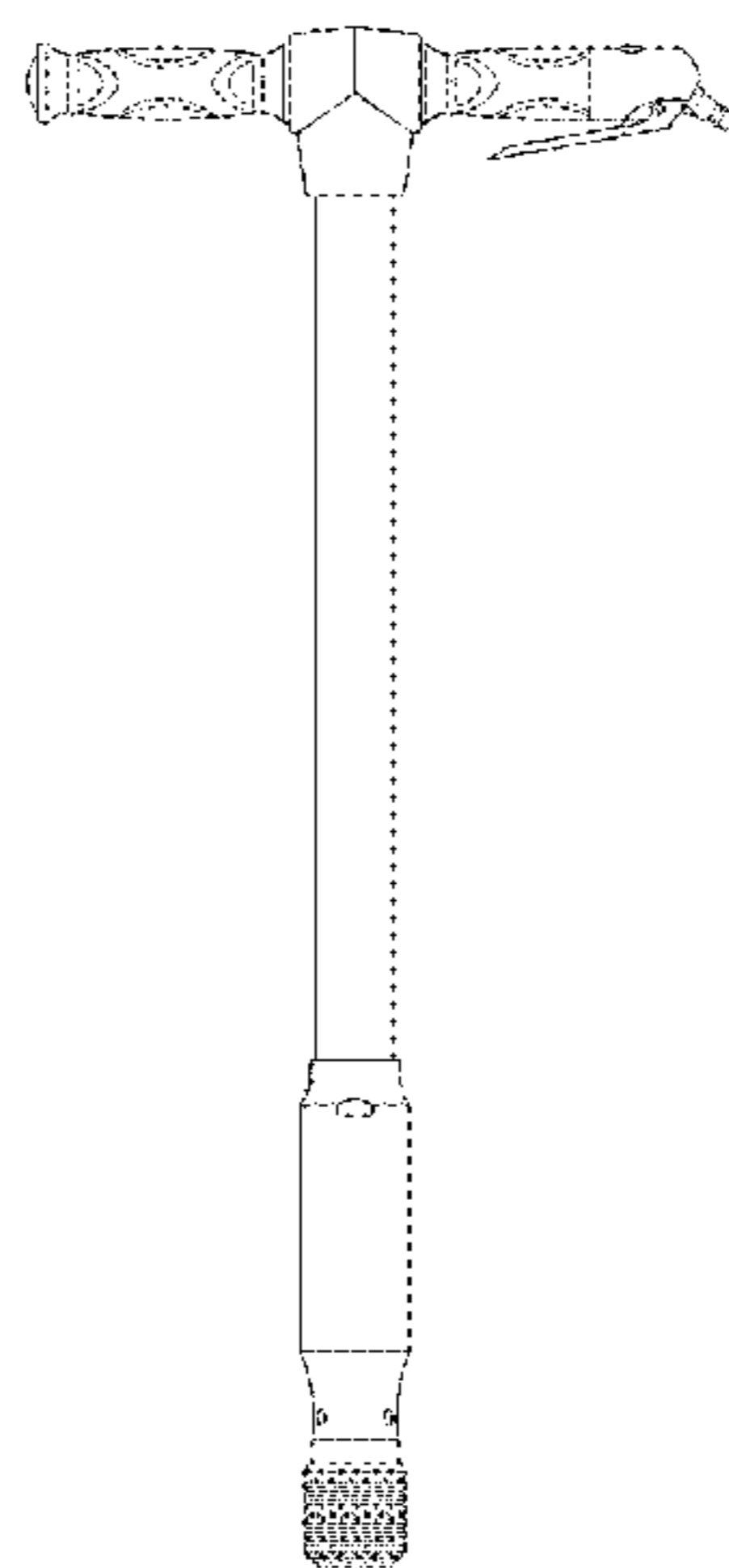
(57) **CLAIM**

The ornamental design for an air spade, as shown and described.

**DESCRIPTION**

FIG. 1 is a front elevational view of an air spade showing my new design;  
FIG. 2 is a rear elevational view thereof;  
FIG. 3 is a left side elevational view thereof;  
FIG. 4 is a right side elevational view thereof;  
FIG. 5 is a top plan view thereof; and,  
FIG. 6 is a bottom plan view thereof.  
The broken lines in the figures represent the bounds of the claimed design; the broken lines form no part of the claimed design.

**1 Claim, 3 Drawing Sheets**



(56)

**References Cited**

U.S. PATENT DOCUMENTS

9,198,337 B2 \* 12/2015 Walsh ..... A01B 1/026  
D747,944 S \* 1/2016 Stamm ..... D8/26  
D758,813 S \* 6/2016 Christopher ..... D8/21  
9,731,407 B1 \* 8/2017 Edmisten ..... B25B 23/1427  
9,777,453 B2 \* 10/2017 Hamilton ..... E02D 3/046  
D804,263 S \* 12/2017 Landon ..... D8/25

\* cited by examiner

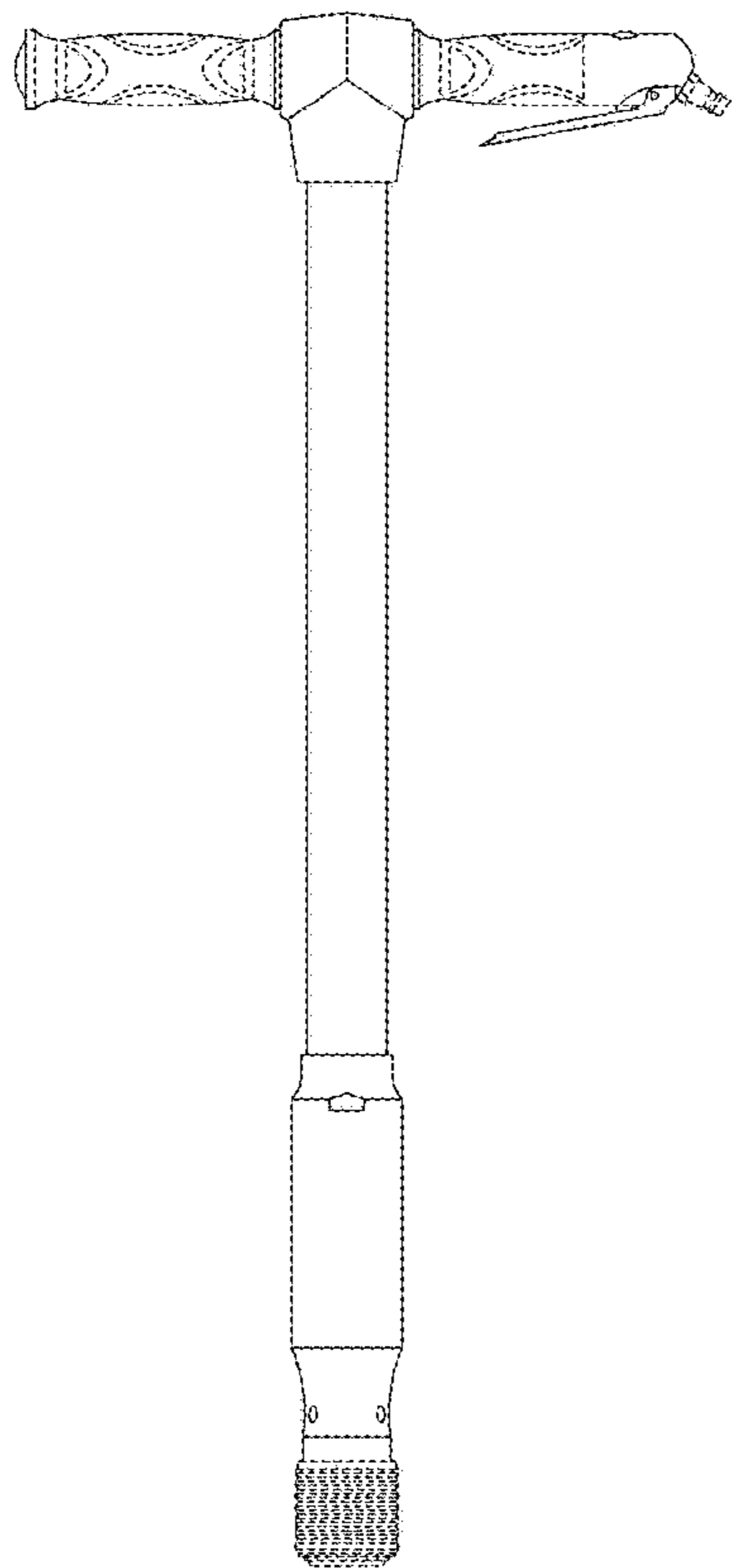


FIG. 1

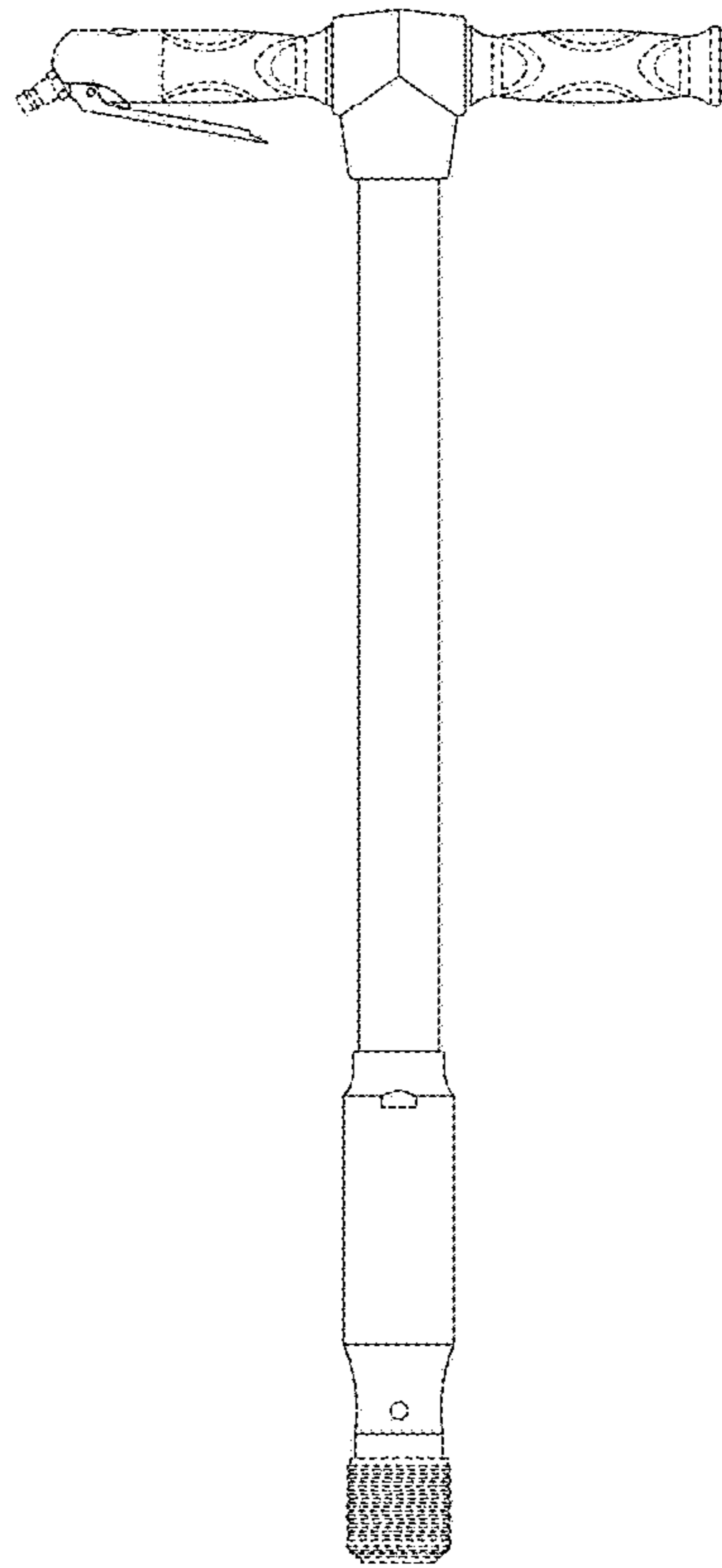


FIG. 2

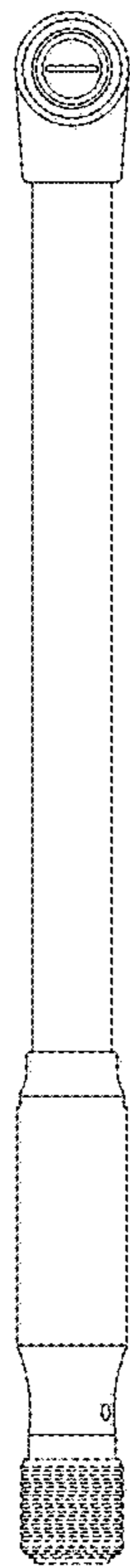


FIG. 3

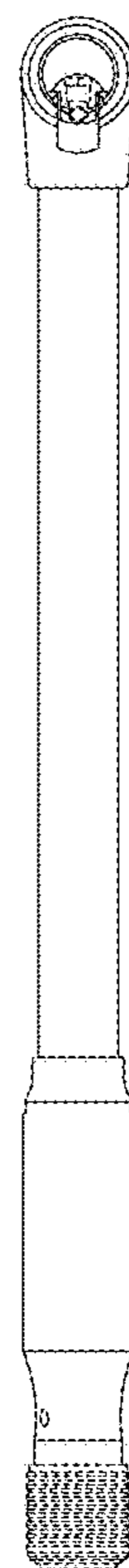
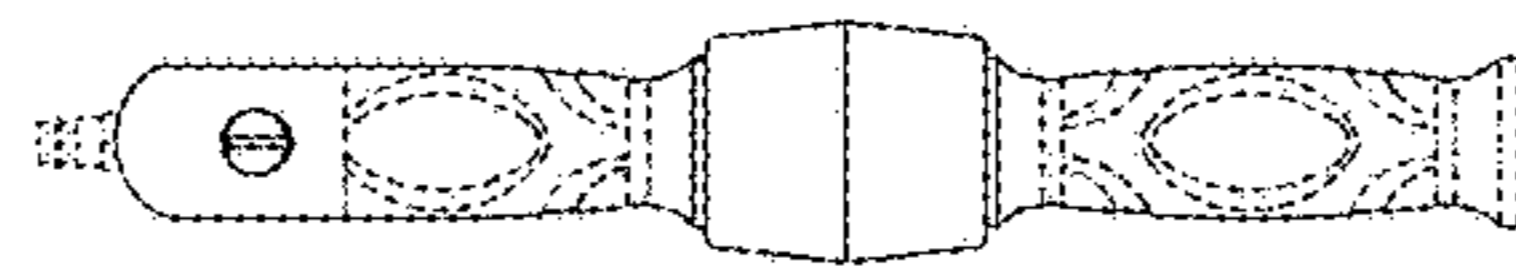
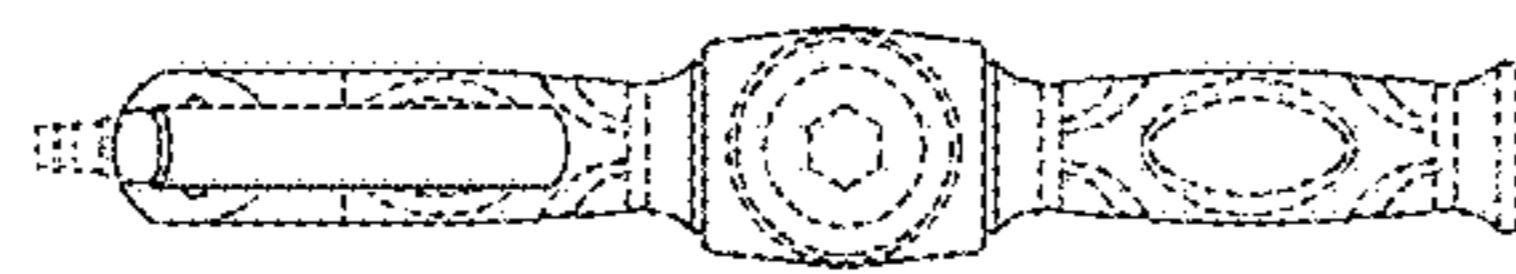


FIG. 4



**FIG. 5**



**FIG. 6**