



US00D852597S

(12) **United States Design Patent**  
**Huang**

(10) **Patent No.:** **US D852,597 S**

(45) **Date of Patent:** **\*\* Jul. 2, 2019**

(54) **STAPLE CARTRIDGE FOR A TACKER**

(71) Applicant: **Tsung-Wen Huang**, Chang Hua (TW)

(72) Inventor: **Tsung-Wen Huang**, Chang Hua (TW)

(\*\*) Term: **15 Years**

(21) Appl. No.: **29/602,108**

(22) Filed: **Apr. 28, 2017**

**Related U.S. Application Data**

(63) Continuation-in-part of application No. 13/870,869,  
filed on Apr. 25, 2013, now abandoned.

(51) **LOC (11) Cl.** ..... **19-02**

(52) **U.S. Cl.**

USPC ..... **D8/49**

(58) **Field of Classification Search**

USPC ..... D8/49, 50, 61, 68, 69; D19/72, 73, 65,  
D19/69; D21/532; D24/145; 7/158,  
7/160; 227/4, 5, 6, 7, 8, 120, 127, 128,  
227/131, 132, 134, 144, 156, 119, 155,  
227/82; 606/139, 143, 153, 219

See application file for complete search history.

(56) **References Cited**

**U.S. PATENT DOCUMENTS**

- 6,557,744 B2 \* 5/2003 Kitamura ..... B27F 7/38  
227/119
- D512,289 S \* 12/2005 Miwa ..... D8/49
- D512,889 S \* 12/2005 Miwa ..... D8/49
- D593,824 S \* 6/2009 Yagi ..... D8/49
- 7,571,842 B2 \* 8/2009 Kishi ..... B27F 7/38  
227/109
- 7,597,228 B2 \* 10/2009 Yoshie ..... B27F 7/38  
227/120
- 7,900,804 B2 \* 3/2011 Hakozaki ..... B27F 7/38  
227/119

- 8,006,882 B2 \* 8/2011 Kameda ..... B27F 7/38  
227/120
- 8,360,291 B2 \* 1/2013 Kameda ..... B27F 7/38  
206/338
- 8,579,178 B2 \* 11/2013 Holsten ..... A61B 17/00491  
227/176.1
- 9,237,892 B2 \* 1/2016 Hodgkinson .... A61B 17/07207
- 9,924,944 B2 \* 3/2018 Shelton, IV ..... A61B 17/07207
- 10,028,744 B2 \* 7/2018 Shelton, IV ..... A61B 17/0469

(Continued)

*Primary Examiner* — Austin Murphy

(74) *Attorney, Agent, or Firm* — Burriss Law, PLLC

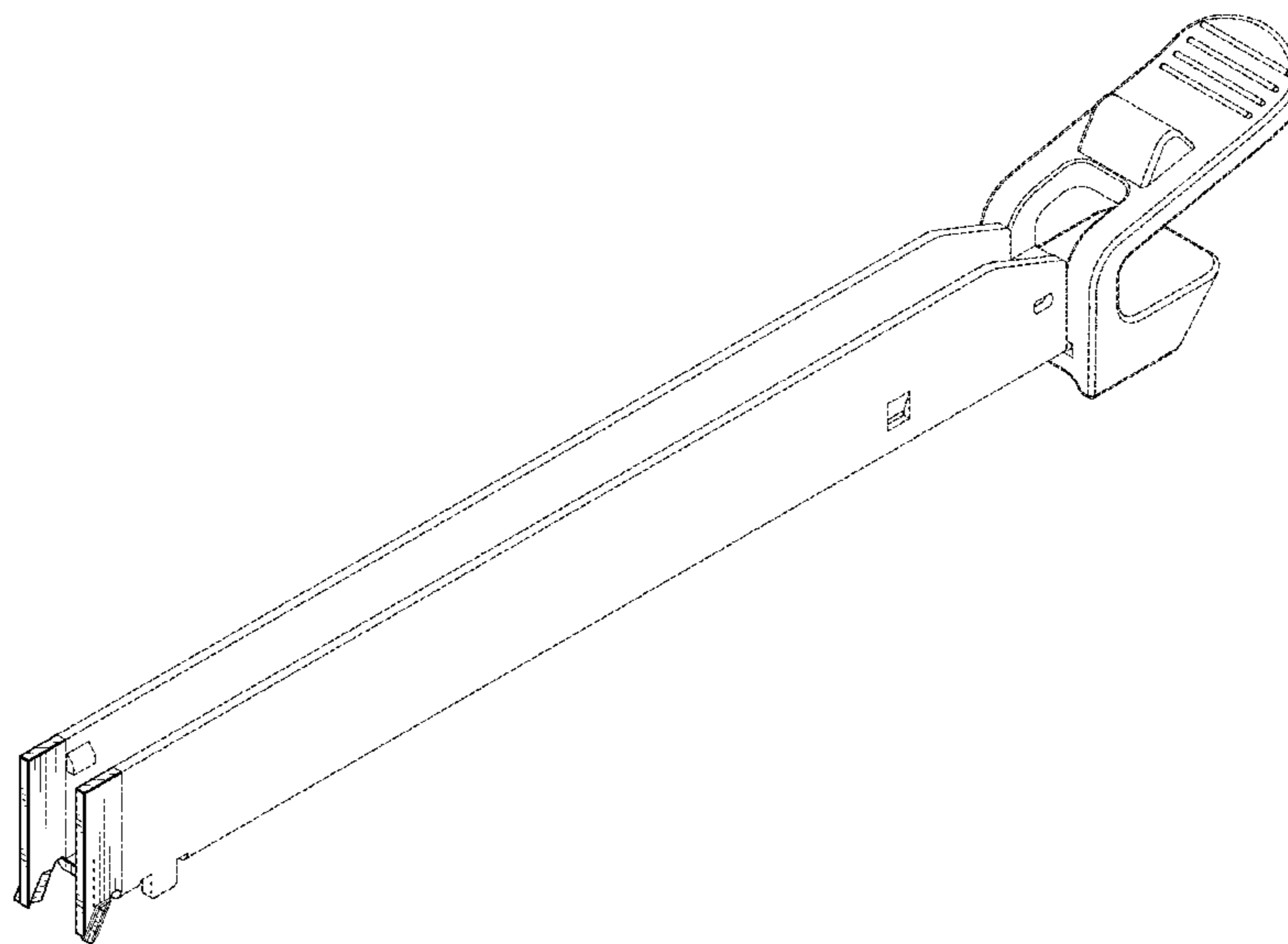
(57) **CLAIM**

The ornamental design for a staple cartridge for a tacker, as shown and described.

**DESCRIPTION**

FIG. 1 is a perspective view of a staple cartridge for a tacker showing my new design;  
 FIG. 2 is a front elevational view thereof;  
 FIG. 3 is a rear elevational view thereof;  
 FIG. 4 is a left side elevational view thereof;  
 FIG. 5 is a right side elevational view thereof;  
 FIG. 6 is a top plan view thereof;  
 FIG. 7 is a bottom plan view thereof;  
 FIG. 8 is an enlarged fragmentary perspective view thereof;  
 and,  
 FIG. 9 is a perspective view showing the design being mounted with a support.  
 The dotted broken lines depict portions of a staple cartridge for a tacker in which the design is embodied that form no part of the claimed design.  
 The dotted broken lines showing the support are for illustrating environmental purposes only and form no part of the claimed design.  
 The dash-dot broken lines are for defining the bounds of the claimed design only and form no part of the claimed design.

**1 Claim, 8 Drawing Sheets**



(56)

**References Cited**

U.S. PATENT DOCUMENTS

D836,198 S \* 12/2018 Harris ..... D24/145  
2005/0224555 A1 10/2005 Kirby et al.  
2013/0284787 A1 10/2013 Aoki et al.

\* cited by examiner

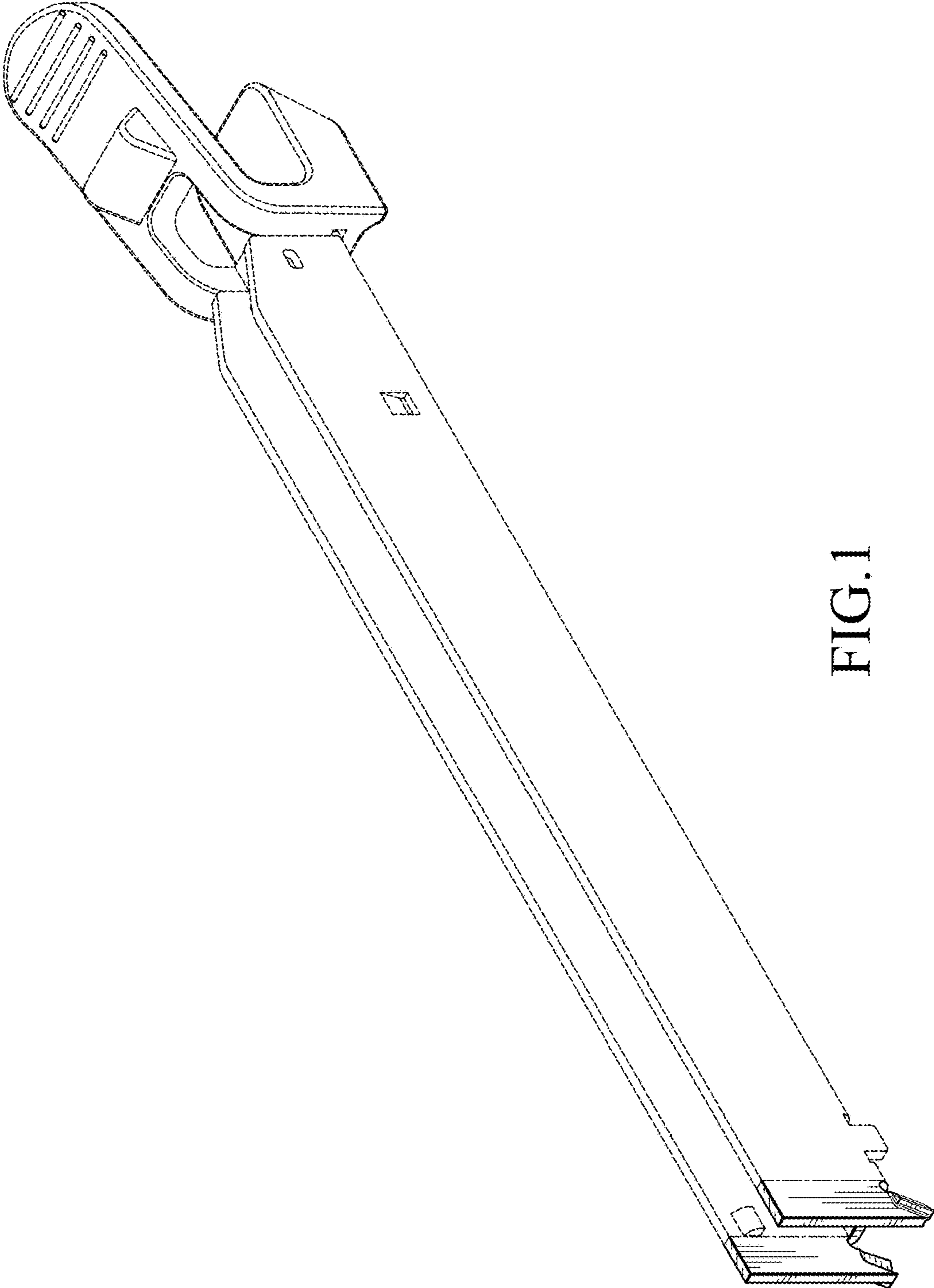


FIG.1

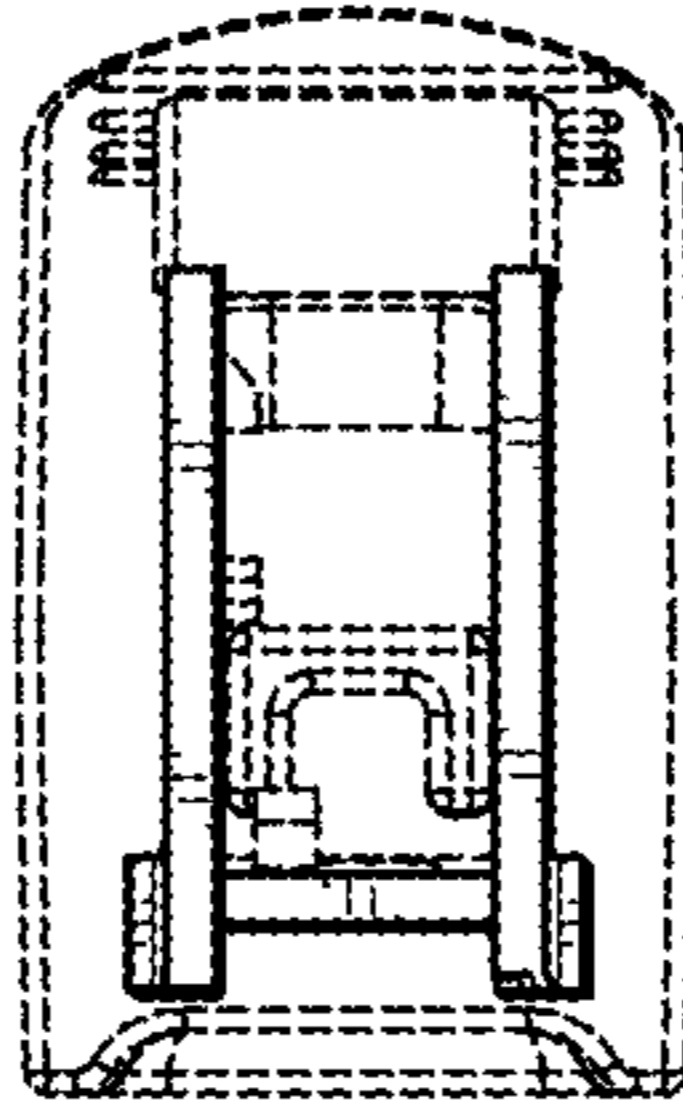


FIG. 2

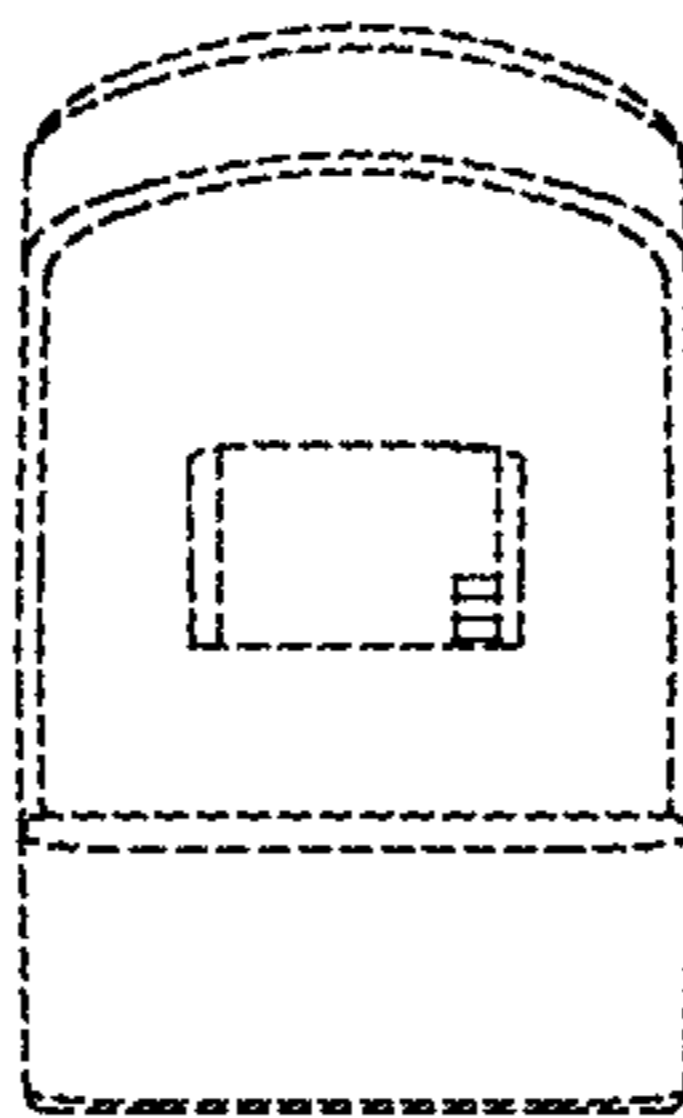


FIG. 3

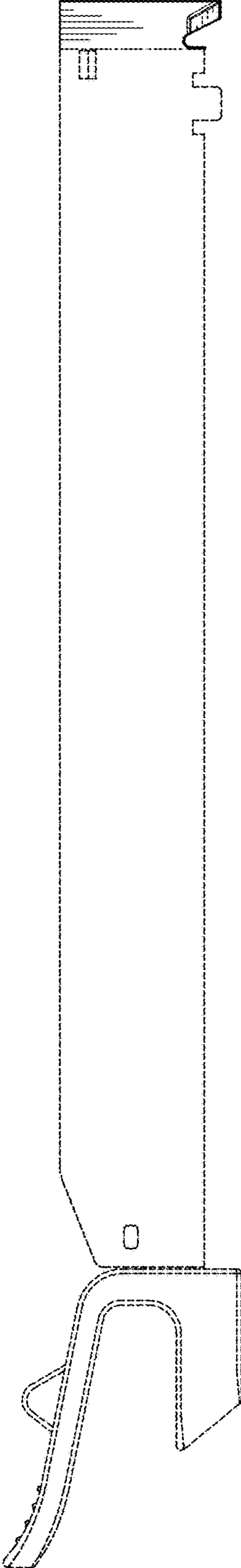


FIG.4

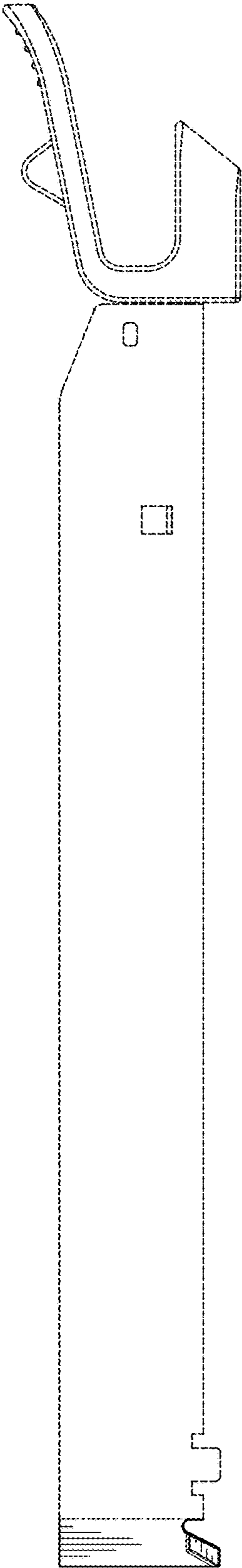


FIG.5

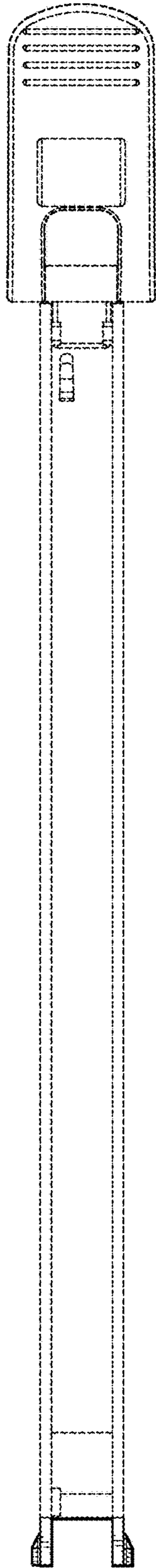


FIG.6

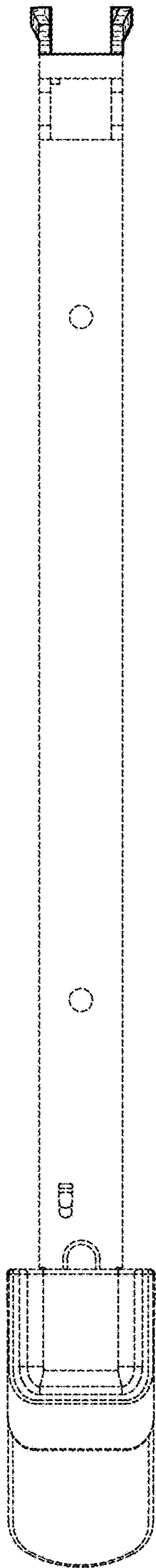


FIG. 7



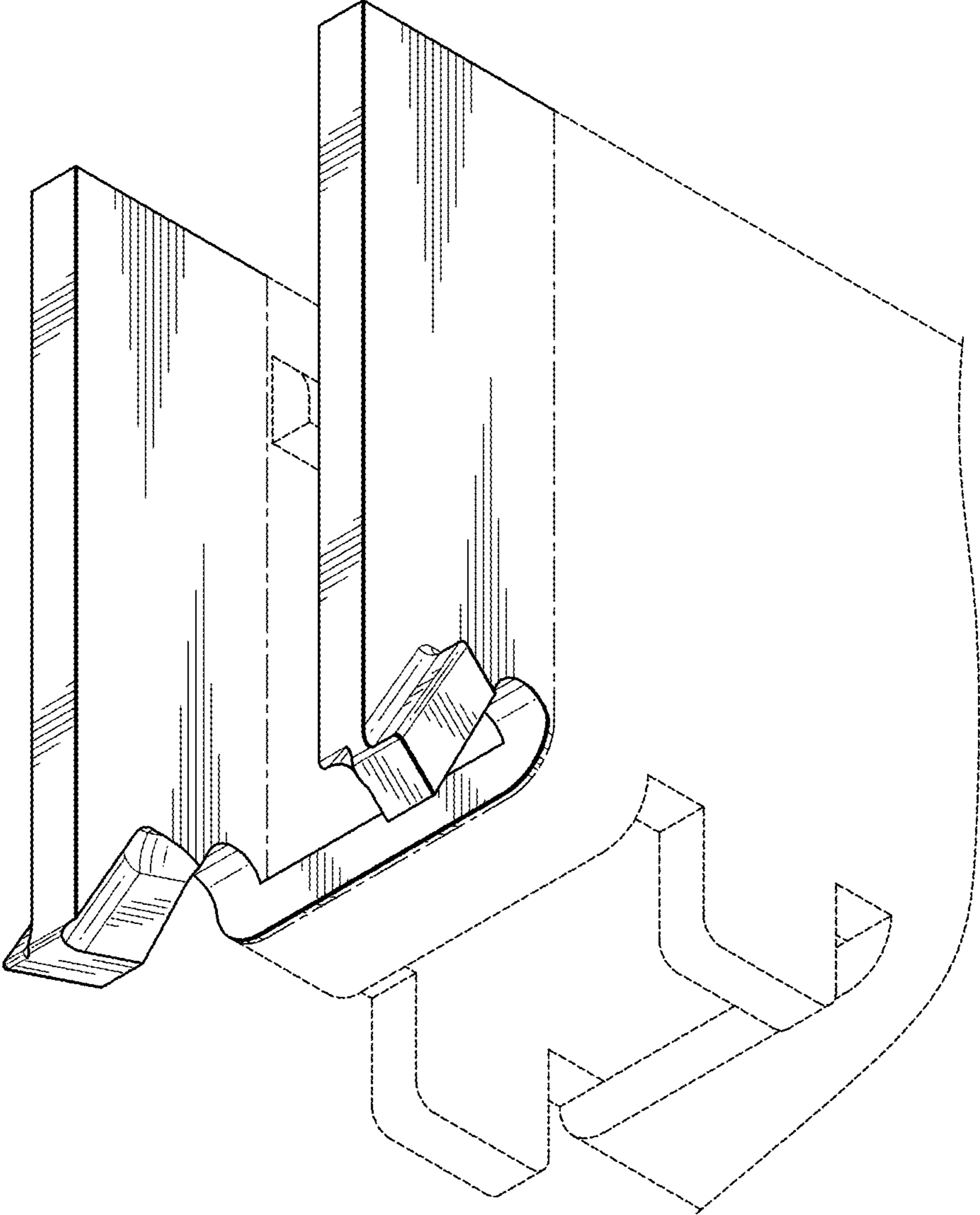


FIG. 8

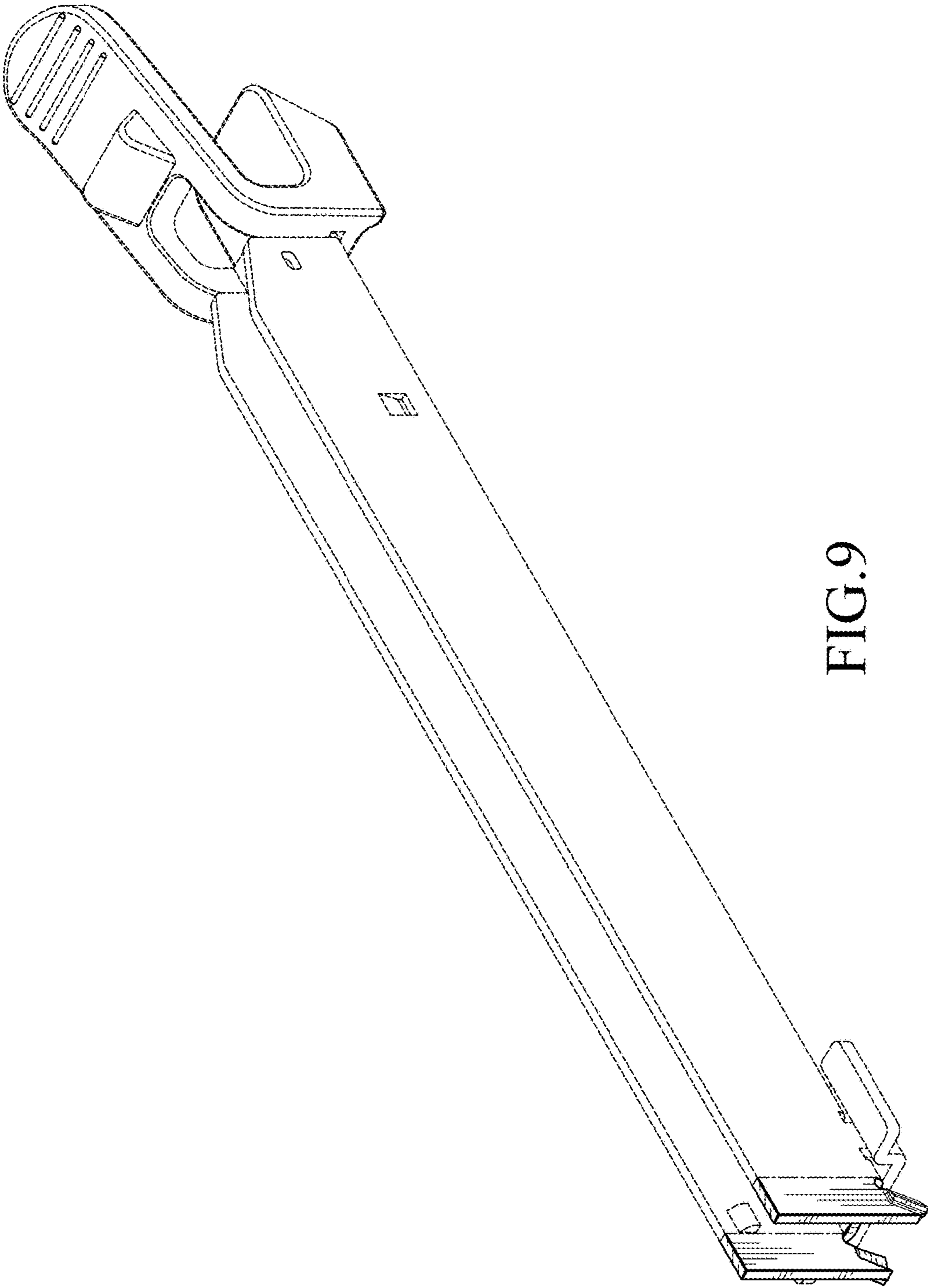


FIG.9