



US00D852596S

(12) **United States Design Patent** (10) **Patent No.:** **US D852,596 S**  
**Mantes et al.** (45) **Date of Patent:** **\*\* Jul. 2, 2019**

(54) **SOLDERING TOOL**  
(71) Applicant: **MILWAUKEE ELECTRIC TOOL CORPORATION**, Brookfield, WI (US)  
(72) Inventors: **Jonathan M. Mantes**, Franklin, WI (US); **Justin D. Dorman**, Wauwatosa, WI (US); **Tin Pak Lee**, Kwai Chung (HK); **Siu Kwong Yu**, Kwai Chung (HK)

5,928,536 A \* 7/1999 Lee ..... B23K 3/033  
219/229  
6,054,678 A 4/2000 Miyazaki  
6,087,631 A 7/2000 Miyazaki  
6,131,791 A 10/2000 Masaki  
6,147,325 A 11/2000 Eisele  
(Continued)

(73) Assignee: **MILWAUKEE ELECTRIC TOOL CORPORATION**, Brookfield, WI (US)

**FOREIGN PATENT DOCUMENTS**

WO 9508200 3/1995

(\*\*) Term: **15 Years**

**OTHER PUBLICATIONS**

International Search Report and Written Opinion for Application No. PCT/US2017/058390 dated Jan. 23, 2018, 19 pages.

(21) Appl. No.: **29/623,627**

*Primary Examiner* — Patricia A Palasik  
(74) *Attorney, Agent, or Firm* — Michael Best & Friedrich LLP

(22) Filed: **Oct. 26, 2017**

(51) **LOC (11) Cl.** ..... **08-05**

(52) **U.S. Cl.**  
USPC ..... **D8/30; D15/144.2**

(57) **CLAIM**

We claim the ornamental design for a soldering tool, as shown and described.

(58) **Field of Classification Search**  
USPC ..... D8/29.1, 29.2, 30, 61; D15/144, 144.1, D15/144.2

**DESCRIPTION**

CPC ..... B23K 3/021; B23K 3/022; B23K 3/023; B23K 3/033; B23K 3/3023; B23K 3/0346  
See application file for complete search history.

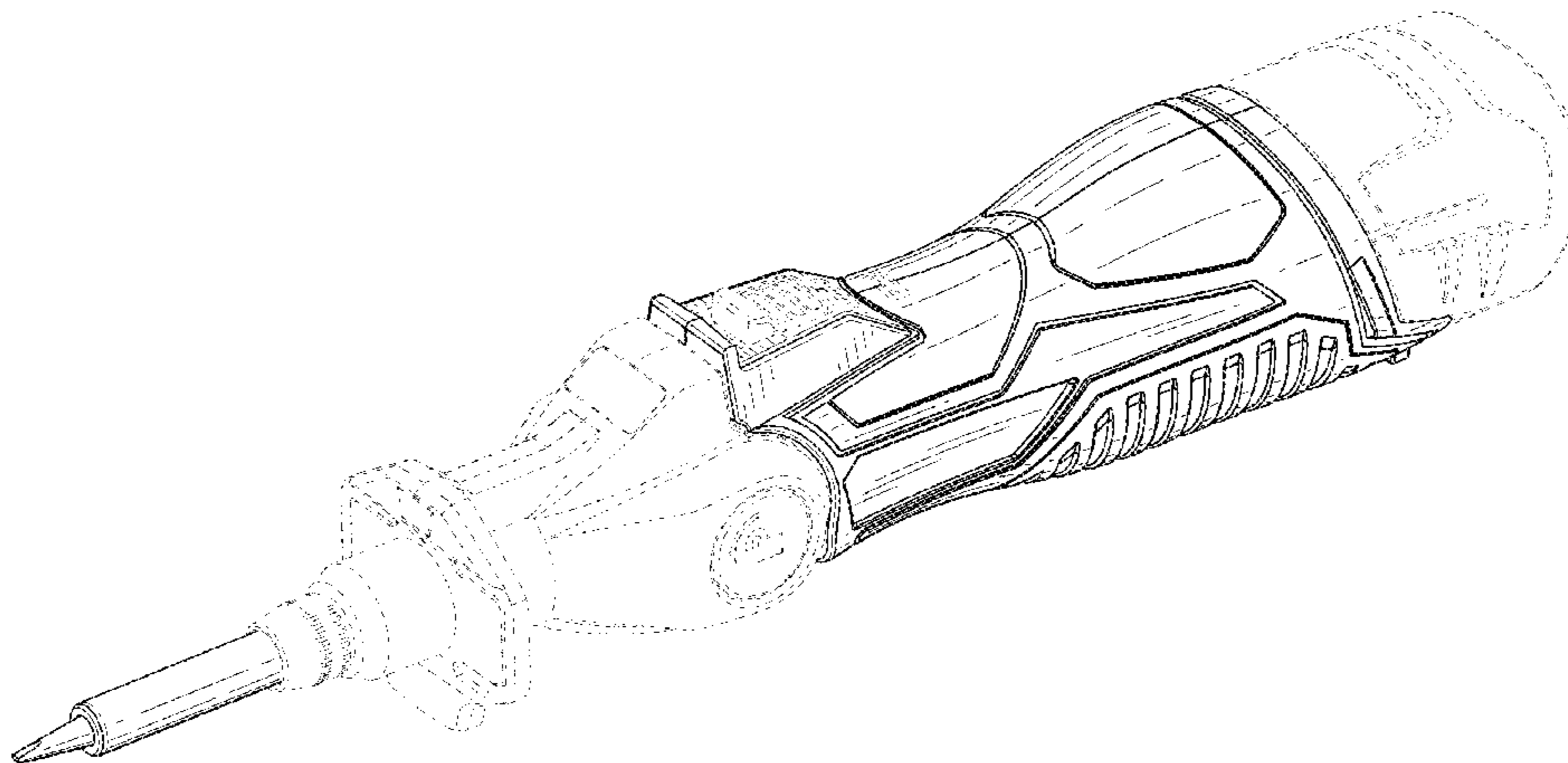
FIG. 1 is a front perspective view of a soldering tool in accordance with an embodiment of the present invention. FIG. 2 is a left side view of the soldering tool of FIG. 1. FIG. 3 is a right side view of the soldering tool of FIG. 1. FIG. 4 is a front view of the soldering tool of FIG. 1. FIG. 5 is a rear view of the soldering tool of FIG. 1. FIG. 6 is a top view of the soldering tool of FIG. 1. FIG. 7 is a bottom view of the soldering tool of FIG. 1. FIG. 8 is a front perspective view of the soldering tool of FIG. 1 in an alternate configuration; and, FIG. 9 is a front perspective view of the soldering tool of FIG. 1 in another alternate configuration. The portions of the soldering tool shown in broken line form no part of the claimed design.

(56) **References Cited**

**U.S. PATENT DOCUMENTS**

D243,147 S \* 1/1977 Sylvester ..... D8/30  
4,688,552 A \* 8/1987 Tsai ..... B23K 3/022  
126/414  
D300,200 S \* 3/1989 Arehart ..... D8/30  
D300,297 S \* 3/1989 Arehart ..... D8/30  
D301,011 S \* 5/1989 Gardner ..... D8/30  
D315,853 S \* 4/1991 Zaborowski ..... D8/30  
D317,704 S \* 6/1991 Zaborowski ..... D8/30  
D330,998 S \* 11/1992 Watmore ..... D8/30  
5,446,262 A 8/1995 McCambridge  
5,803,061 A \* 9/1998 Kao ..... B23K 3/022  
126/413

**1 Claim, 6 Drawing Sheets**



(56)

References Cited

U.S. PATENT DOCUMENTS

6,201,930 B1	3/2001	Close et al.	
D440,991 S *	4/2001	Fujiwara .....	D15/144.2
6,215,104 B1	4/2001	Kurpiela et al.	
D442,447 S *	5/2001	Fujiwara .....	D8/30
D442,875 S *	5/2001	Fujiwara .....	D15/144.2
6,257,478 B1	7/2001	Straub	
6,329,641 B1	12/2001	Miyazaki et al.	
6,386,423 B1	5/2002	Adler et al.	
D481,278 S *	10/2003	Murillo .....	D8/30
6,710,304 B2	3/2004	Yokoo	
6,750,431 B2	6/2004	Miyazaki	
6,786,386 B2	9/2004	Miyazaki	
6,818,862 B2	11/2004	Uetani et al.	
6,833,531 B1	12/2004	Masaki	
6,874,671 B2 *	4/2005	Hirano .....	B23K 3/022 126/414
6,916,859 B2	7/2005	Hirofumi	
6,972,396 B2	12/2005	Miyazaki	
D516,884 S *	3/2006	Axinte .....	D8/30
7,030,339 B2	4/2006	Nagase et al.	
D522,328 S *	6/2006	Miyazaki .....	D8/30
D530,168 S *	10/2006	Doi .....	D8/30
7,126,086 B2	10/2006	Konishi et al.	
7,131,858 B1	11/2006	Zerebilov	
D533,416 S *	12/2006	Axinte .....	D8/30
7,259,356 B2	8/2007	Cowell et al.	
7,269,892 B2	9/2007	Miyazaki	
D553,925 S *	10/2007	Axinte .....	D8/30
D559,055 S *	1/2008	Axinte .....	D8/30
7,325,714 B2	2/2008	Mochizuki	
D564,319 S *	3/2008	Tsai .....	D15/144
7,490,751 B2	2/2009	Nagase et al.	
7,679,032 B2	3/2010	Masaki	
7,807,949 B2	10/2010	Miyazaki	
D626,809 S *	11/2010	Louet-Feisser .....	D8/30
7,860,378 B2	12/2010	Teraoka	
7,886,954 B2	1/2011	Mochizuki	
8,237,091 B2	8/2012	Yoshimura et al.	
8,274,011 B2	9/2012	Masaki	
8,276,855 B2	10/2012	Teraoka	
8,556,570 B2	10/2013	Ishihara	
8,569,657 B2	10/2013	Yoshimura et al.	
9,168,605 B2	10/2015	Miyazaki et al.	
9,314,863 B2 *	4/2016	Teraoka .....	B23K 3/033
9,327,361 B2	5/2016	Marino et al.	
D810,532 S *	2/2018	Tsai .....	D8/30
D813,628 S *	3/2018	Tsai .....	D8/30
D813,629 S *	3/2018	Tsai .....	D8/30
D832,902 S *	11/2018	Tsai .....	D15/144
D837,848 S *	1/2019	Murphy .....	D15/144.2
2013/0105466 A1	5/2013	Teraoka	
2014/0131059 A1	5/2014	Verbrugge et al.	
2015/0083707 A1	3/2015	Miyazaki et al.	
2015/0125334 A1	5/2015	Uetani et al.	
2015/0246404 A1	9/2015	Teraoka et al.	
2015/0271912 A1	9/2015	Tetsuo et al.	
2016/0031044 A1	2/2016	Marino et al.	
2016/0175958 A1	6/2016	Mochizuki	
2016/0175959 A1	6/2016	Mochizuki et al.	
2016/0221098 A1	8/2016	Marino et al.	

\* cited by examiner

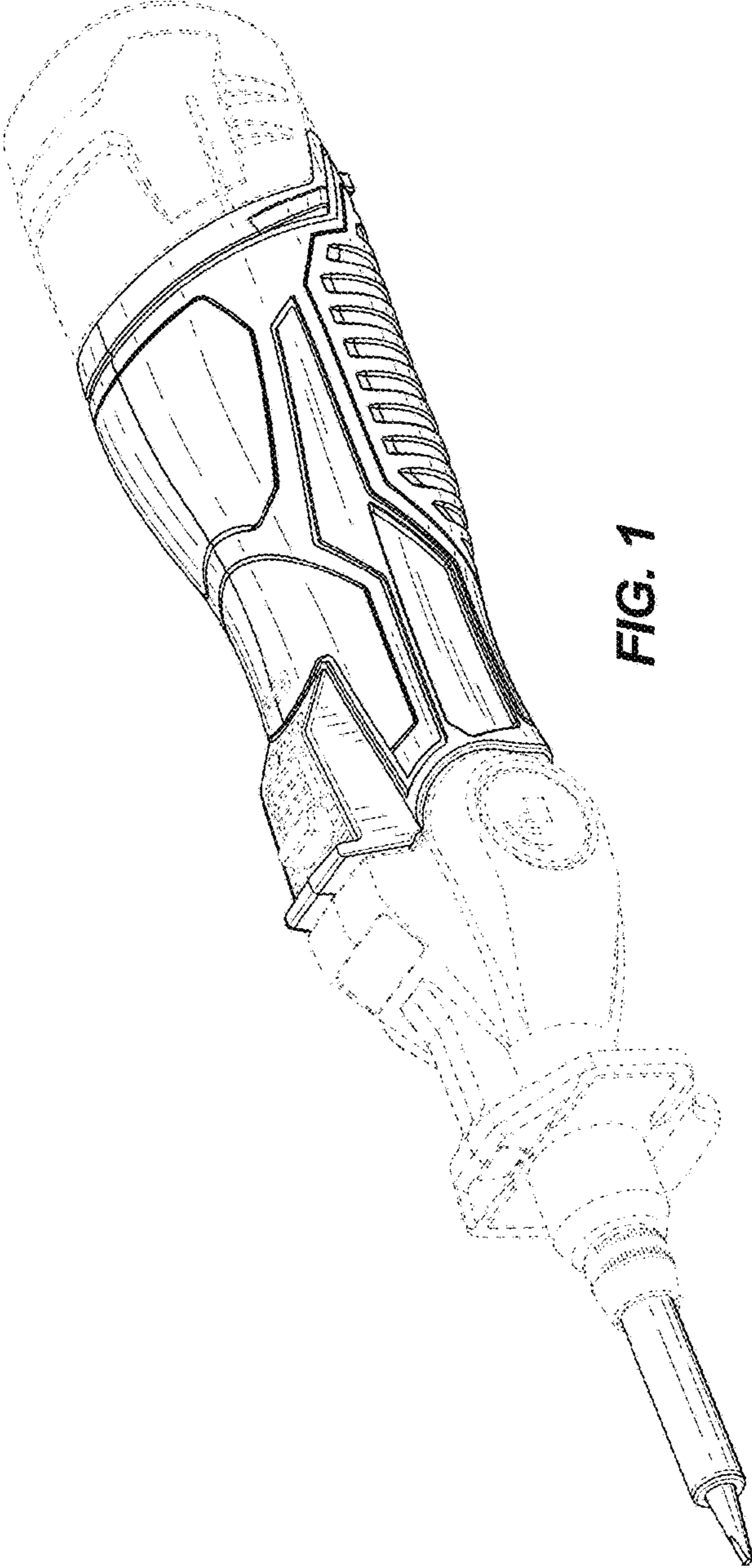


FIG. 1

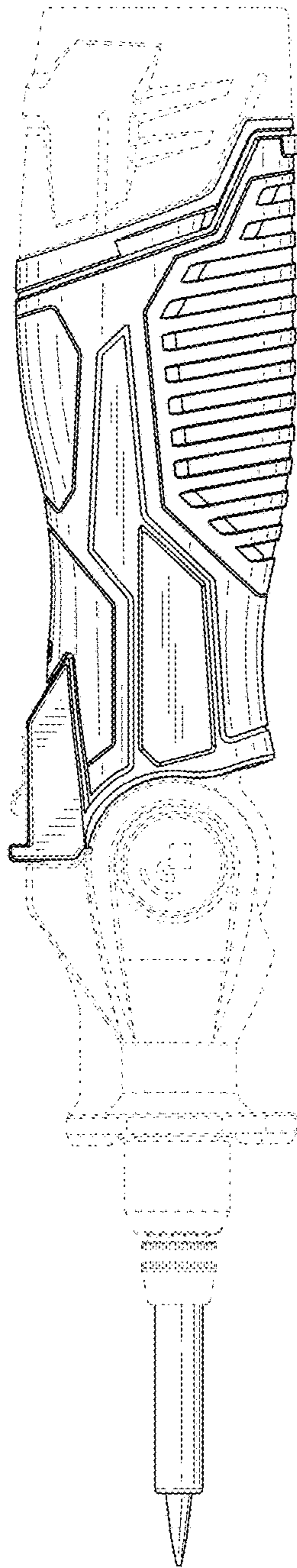


FIG. 2

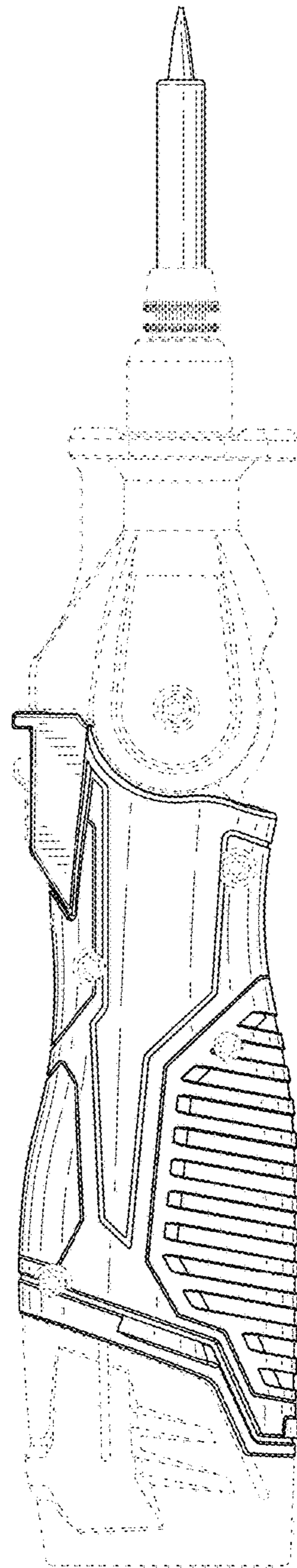
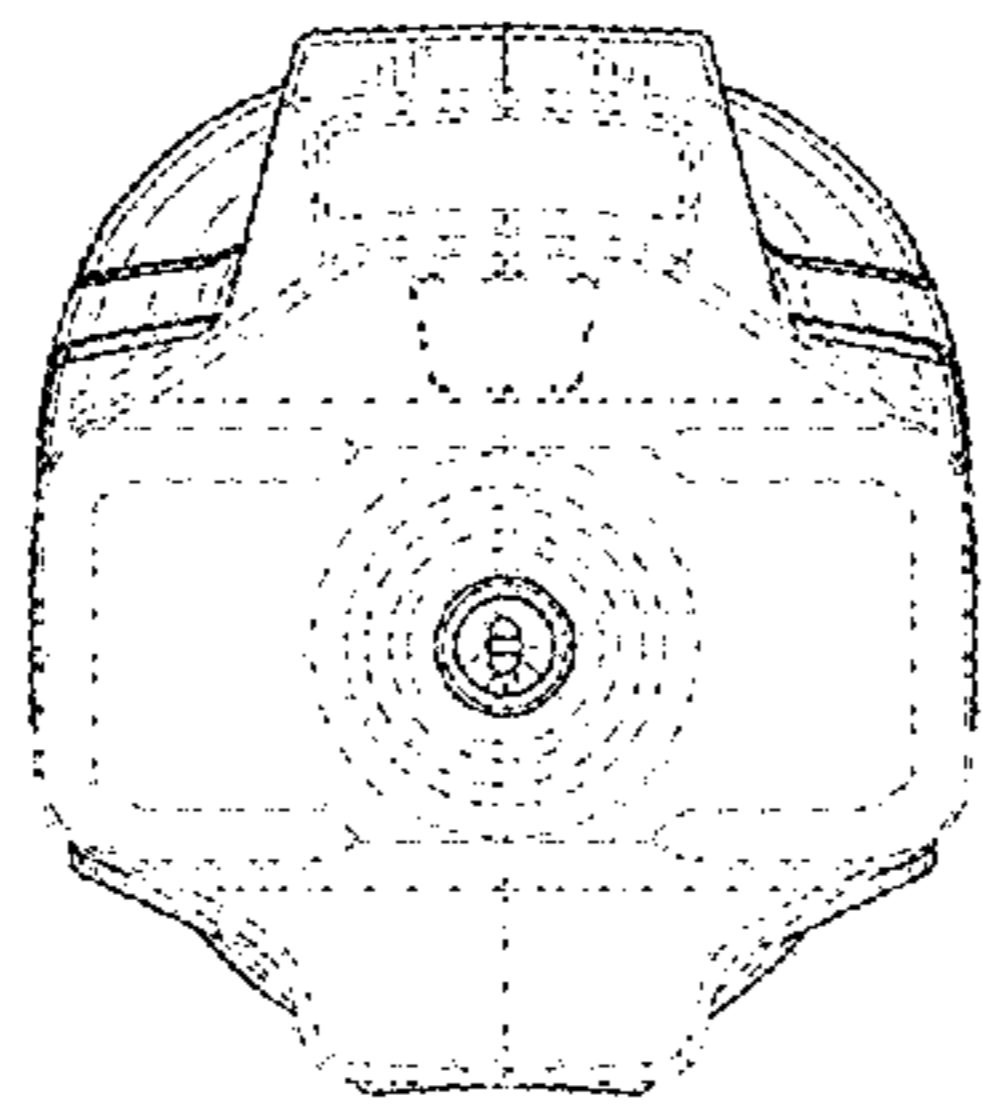
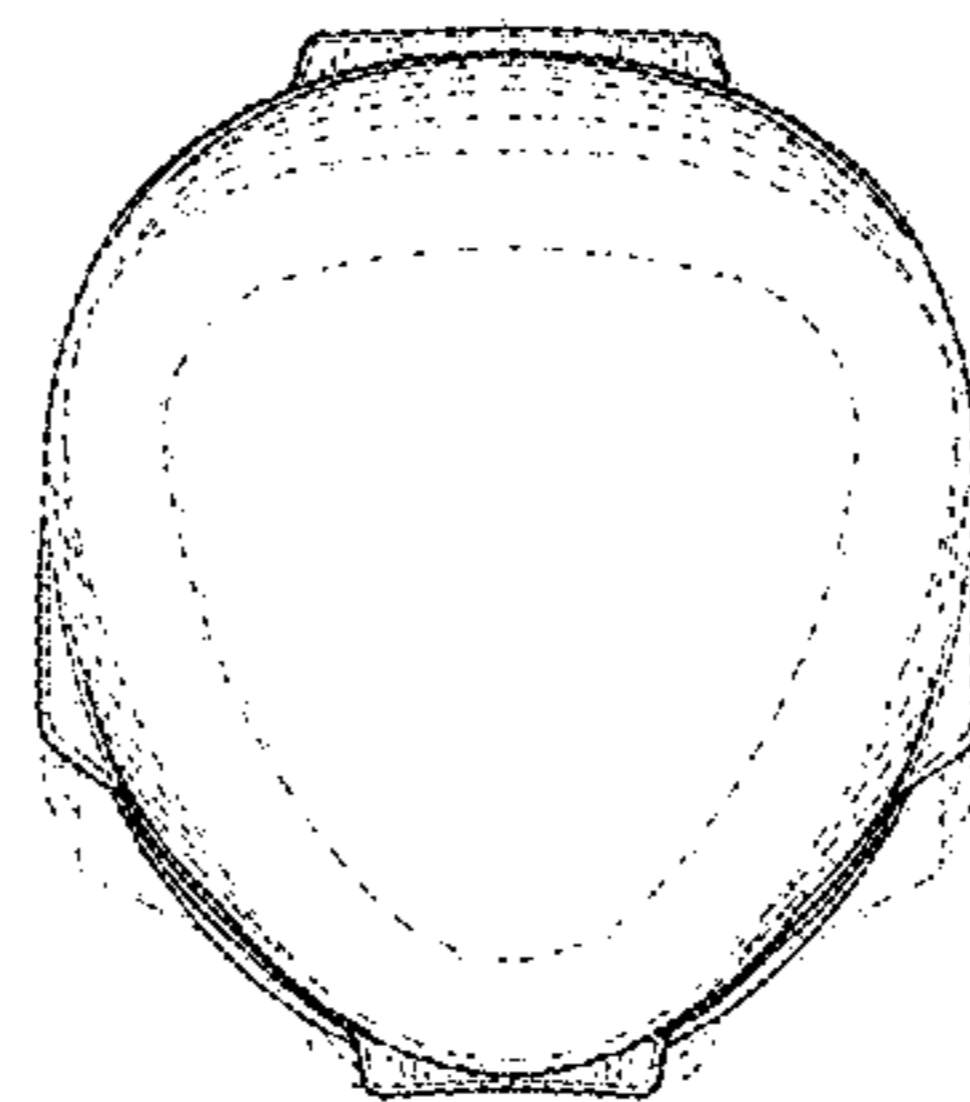


FIG. 3



**FIG. 4**



**FIG. 5**

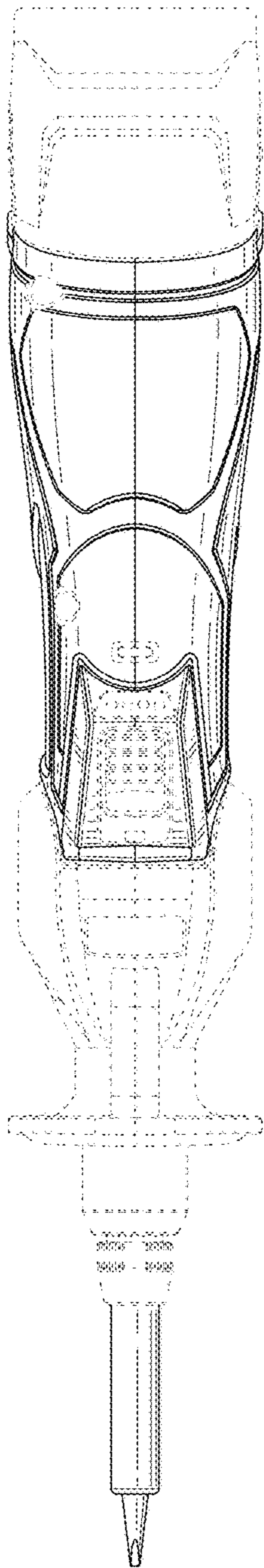


FIG. 6

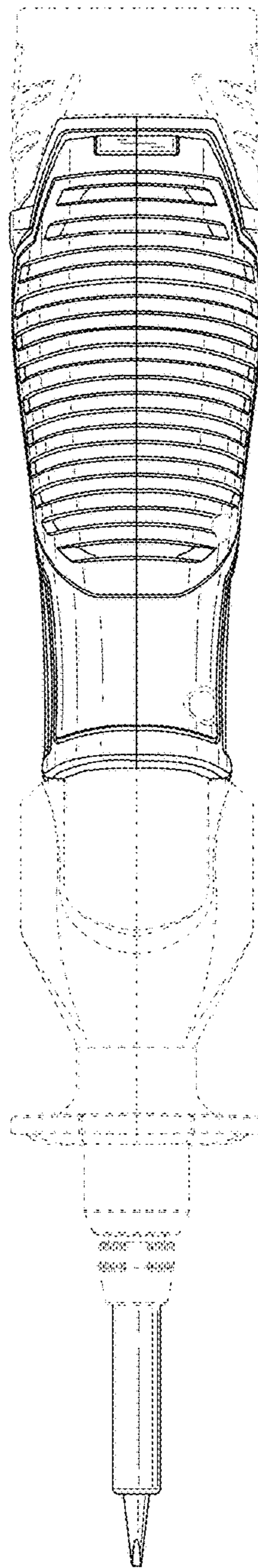


FIG. 7

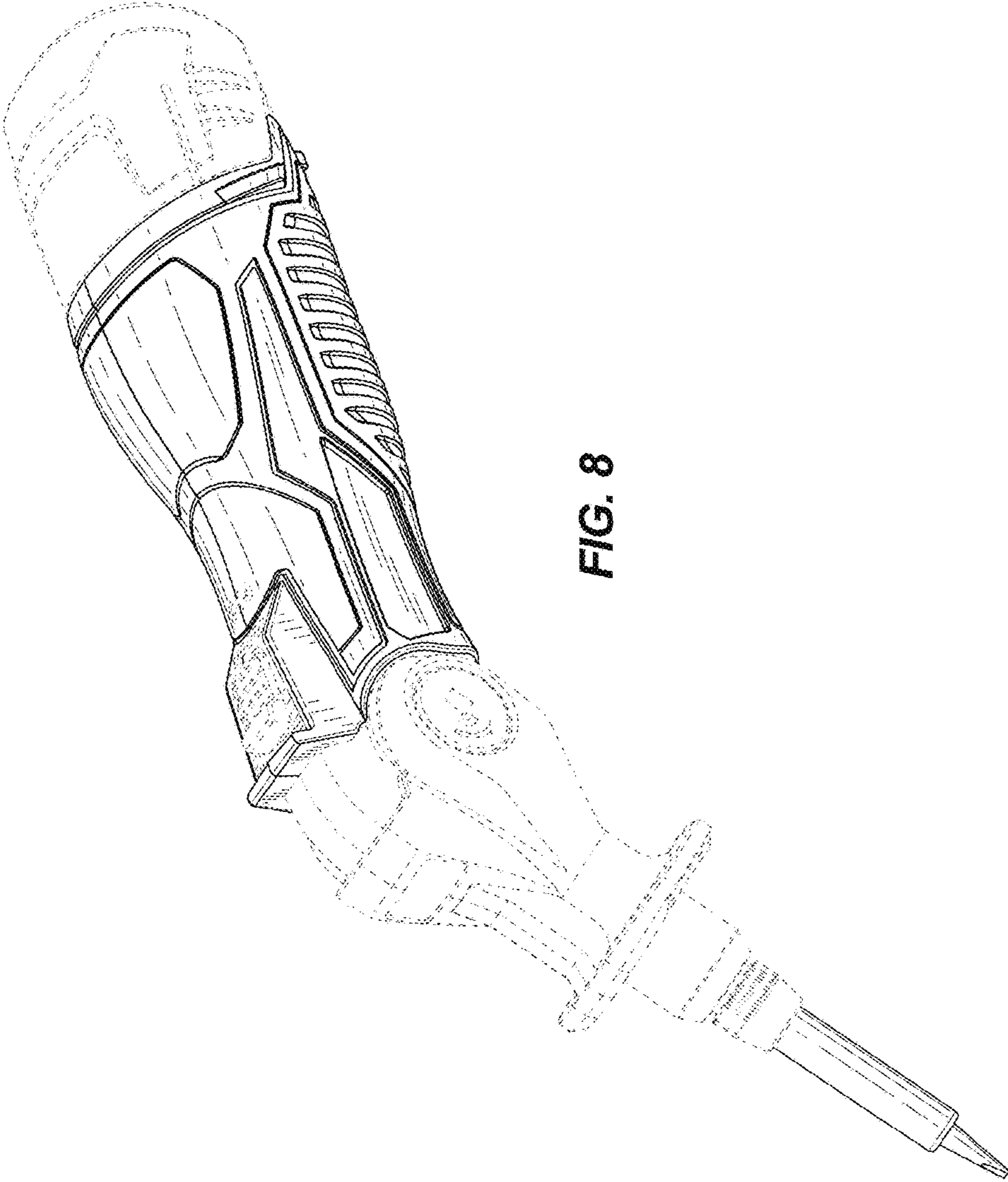


FIG. 8

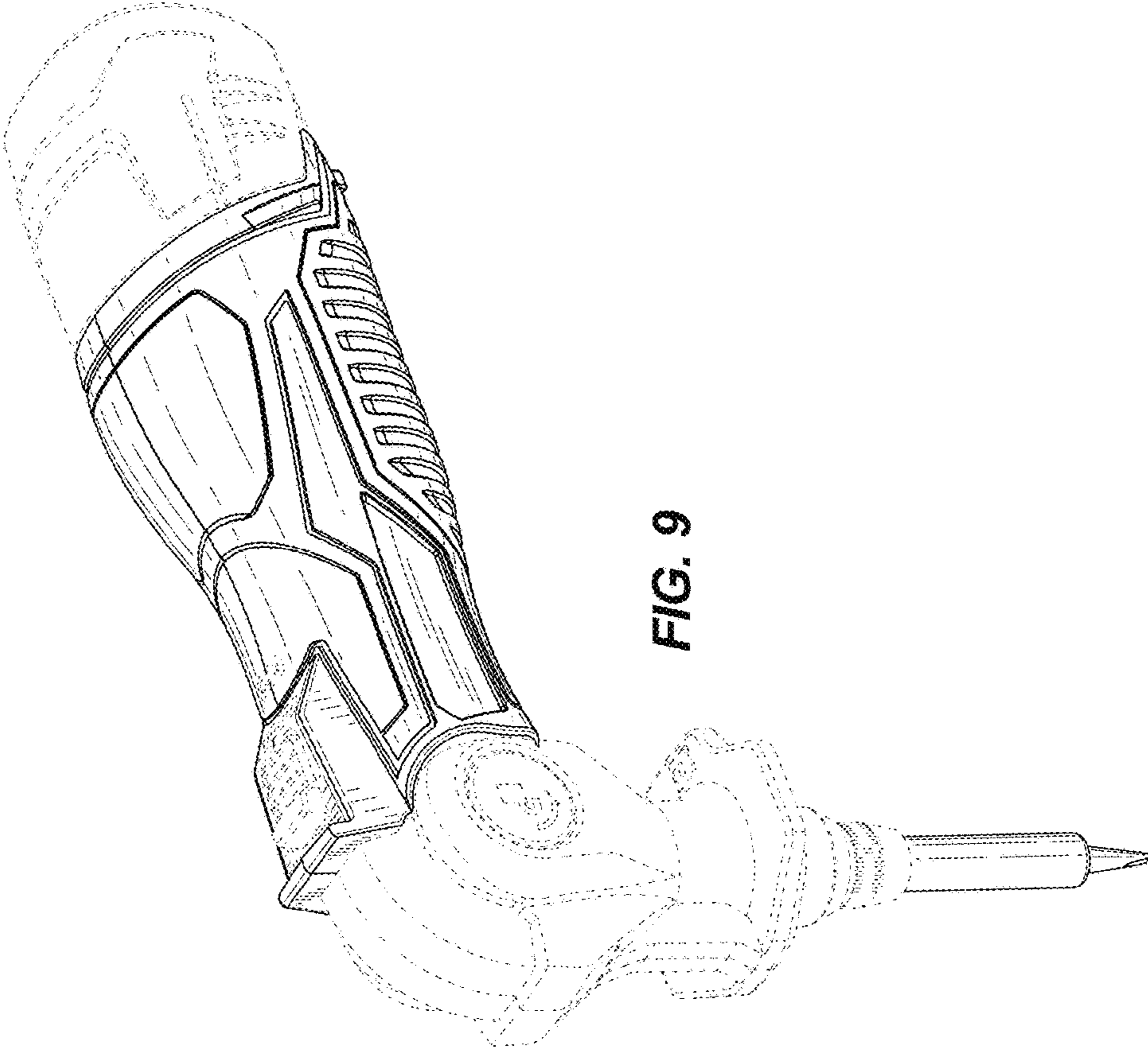


FIG. 9