



US00D852595S

(12) **United States Design Patent**
Hartt

(10) **Patent No.:** **US D852,595 S**
(45) **Date of Patent:** **** Jul. 2, 2019**

- (54) **SUCTION HANDLE**
- (71) Applicant: **iFixit**, San Luis Obispo, CA (US)
- (72) Inventor: **Brett Hartt**, Atascadero, CA (US)
- (73) Assignee: **iFixit**, San Luis Obispo, CA (US)
- (**) Term: **15 Years**
- (21) Appl. No.: **29/617,056**
- (22) Filed: **Sep. 11, 2017**
- (51) **LOC (11) Cl.** **08-05**
- (52) **U.S. Cl.**
USPC **D8/14**
- (58) **Field of Classification Search**
USPC D8/14, 71, 300, 349
CPC ... B25B 11/005; B25B 11/007; B65G 49/061;
B65G 2249/045
See application file for complete search history.

D490,201 S *	5/2004	Liao	D34/28
D506,380 S *	6/2005	Chu	D8/349
D553,478 S *	10/2007	Liao	D8/354
D616,285 S *	5/2010	Kimber	D8/14
8,887,357 B2 *	11/2014	Jimenez	B62J 27/00
				16/421
D744,316 S *	12/2015	Nook	D8/349
D747,644 S *	1/2016	Snider	D8/394
2009/0166490 A1 *	7/2009	Liao	F16B 47/00
				248/205.8
2014/0035304 A1 *	2/2014	Seebauer	B66C 1/0293
				294/189

* cited by examiner

Primary Examiner — Philip S Hyder
(74) *Attorney, Agent, or Firm* — Cynthia Replogle

(57) **CLAIM**

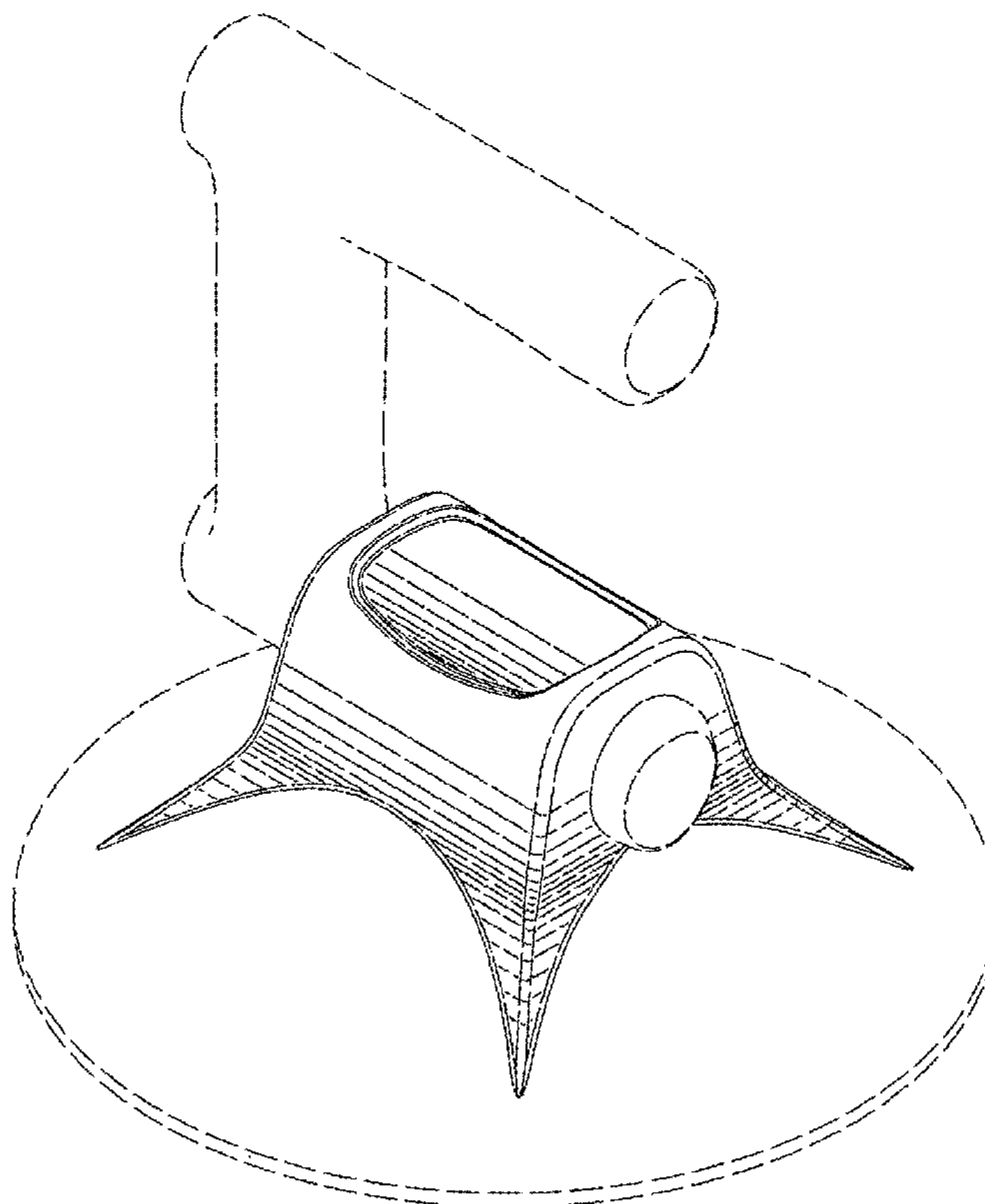
The ornamental design for a suction handle, as shown and described.

DESCRIPTION

FIG. 1 is a perspective view of a suction handle showing the new design;
FIG. 2 is a side view of FIG. 1, the opposite side being a mirror image;
FIG. 3 is a front view of FIG. 1;
FIG. 4 is a rear view of FIG. 1; and,
FIG. 5 is a top view of FIG. 1.
The broken lines illustrate portions of the suction handle that form no part of the claimed design.

1 Claim, 5 Drawing Sheets

- (56) **References Cited**
U.S. PATENT DOCUMENTS
3,061,351 A * 10/1962 Johnson E04G 23/006
294/187
3,831,991 A * 8/1974 Lukeman A62C 99/009
211/89.01
D246,500 S * 11/1977 Poulsen D34/28
5,639,134 A * 6/1997 Rusch B25B 11/007
294/187



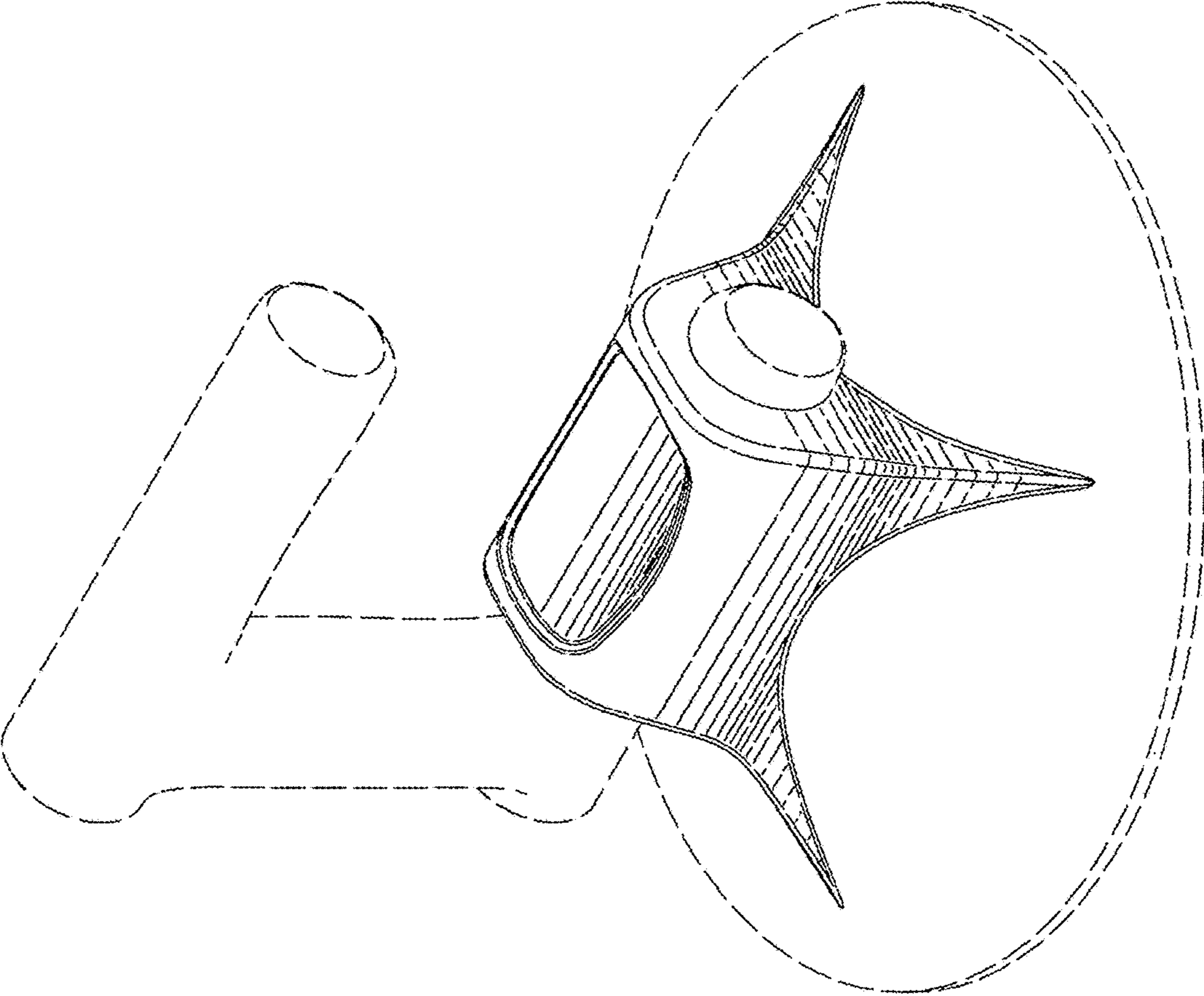


FIG. 1

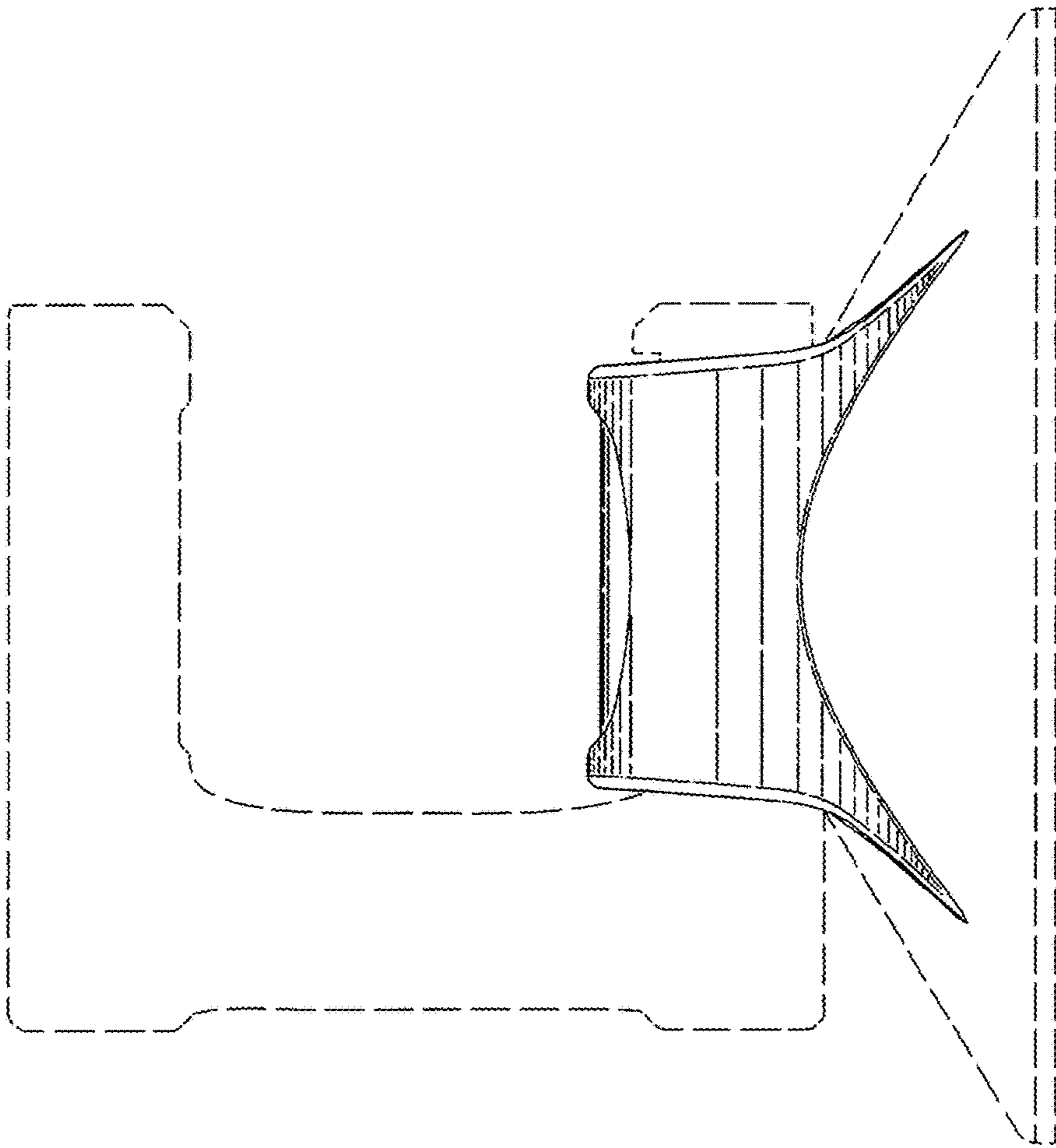


FIG. 2

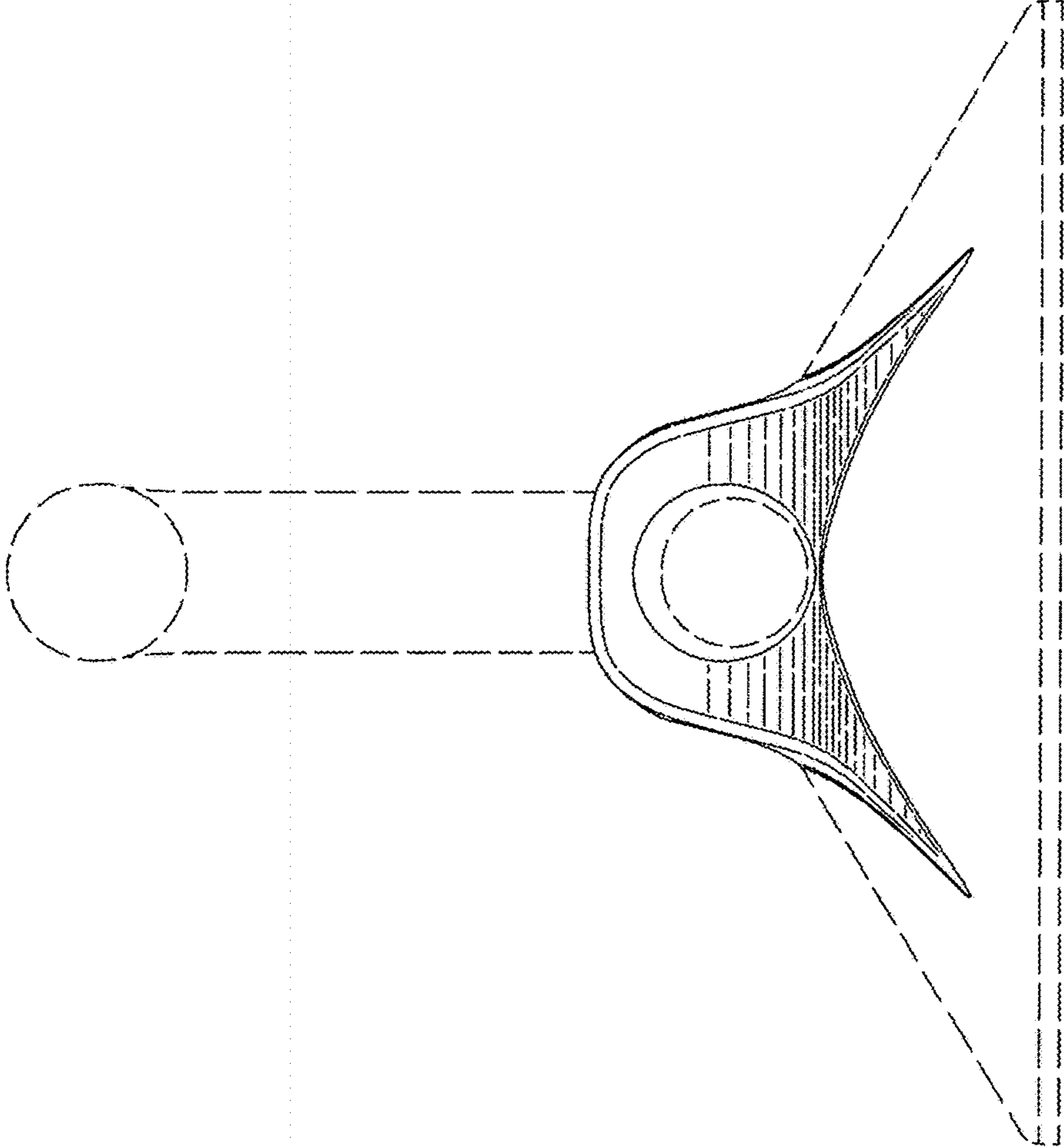


FIG. 3

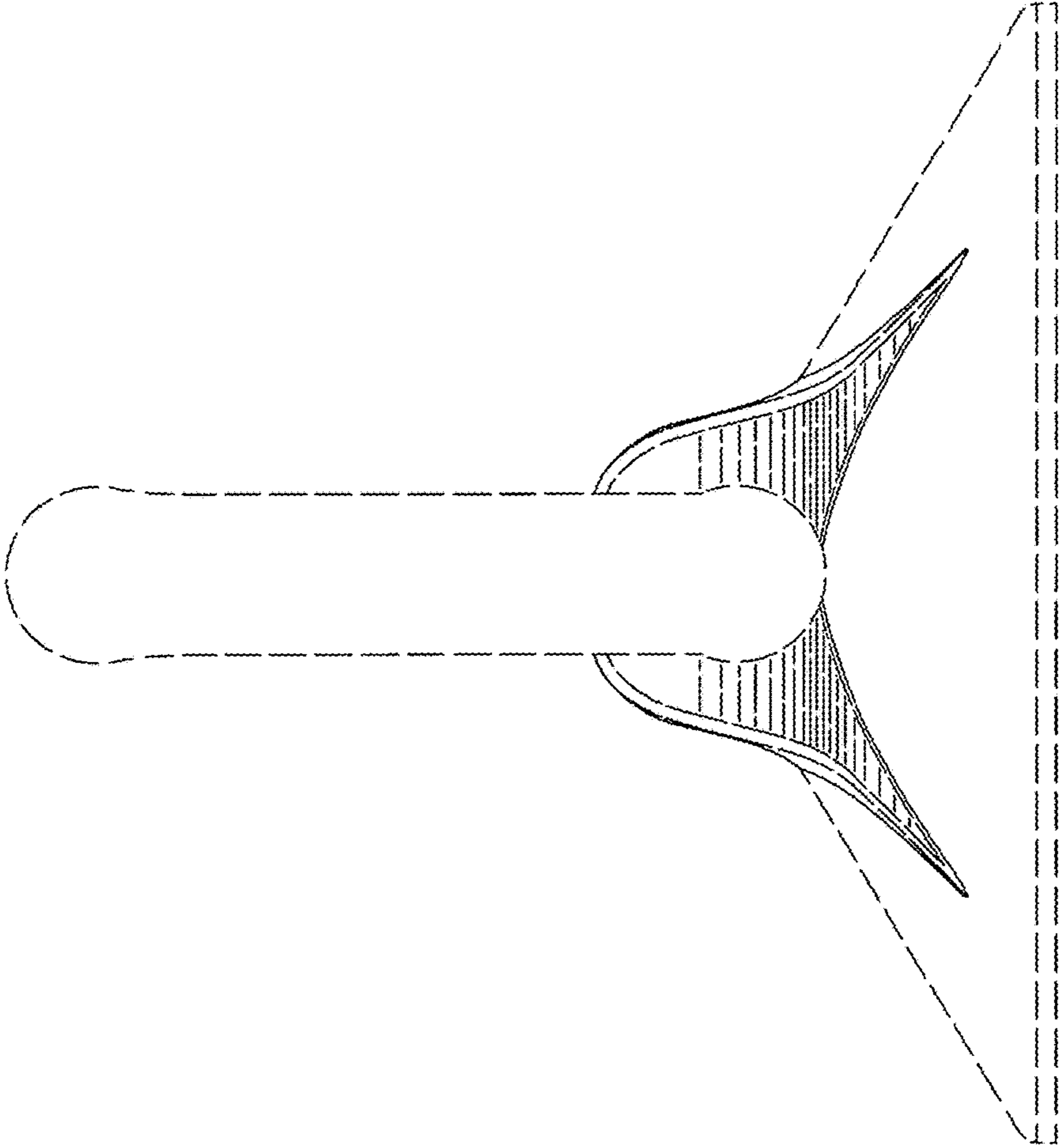


FIG. 4

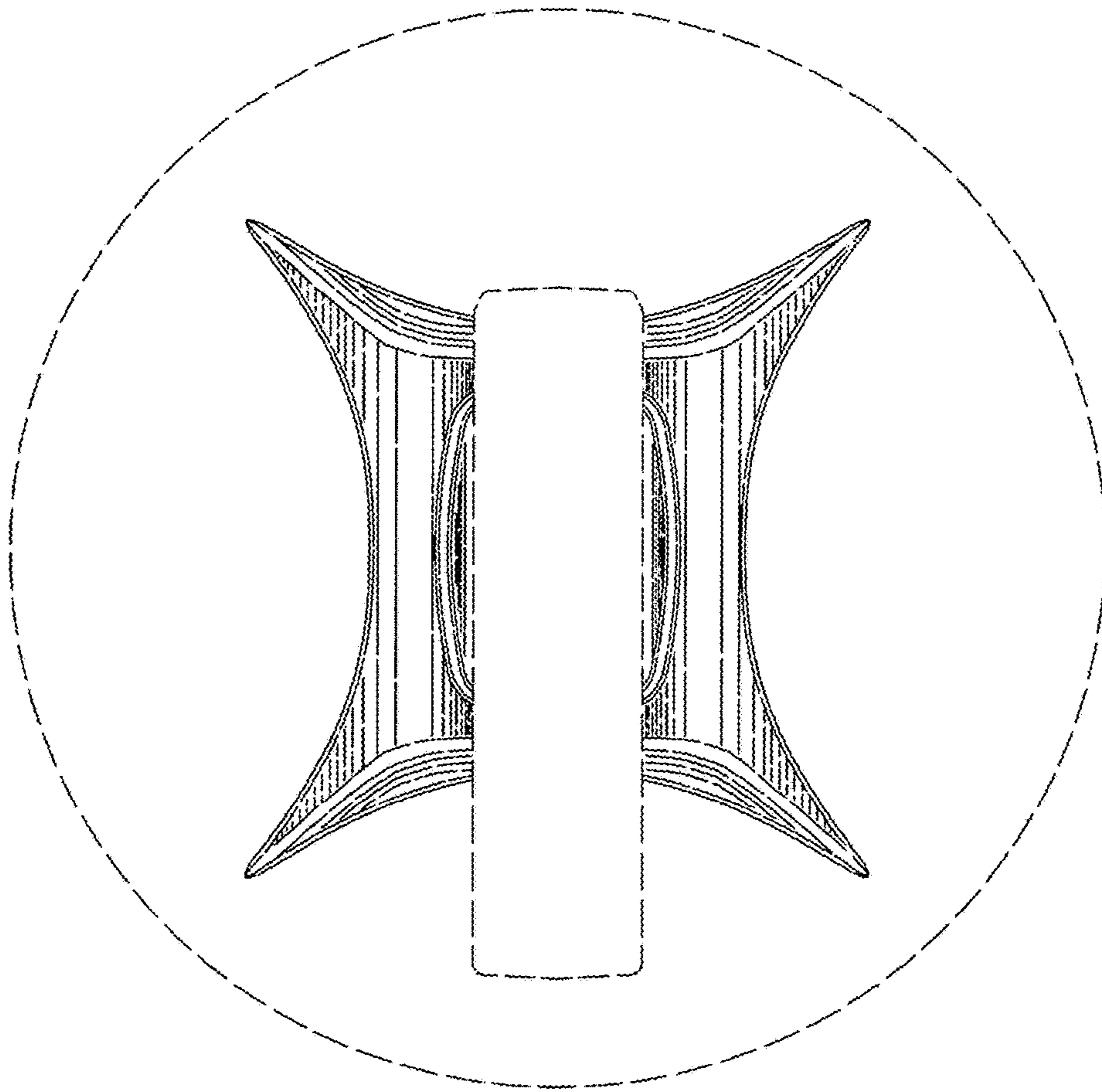


FIG. 5