



US00D852594S

(12) **United States Design Patent** (10) **Patent No.:** **US D852,594 S**
Szymanski (45) **Date of Patent:** **** Jul. 2, 2019**

(54) **TRENCH SHOVEL HEAD** 4,767,141 A 8/1988 Martin
 4,904,011 A * 2/1990 Hawk A01B 1/02
 294/49

(71) Applicant: **Chester Szymanski**, Ocala, FL (US) 5,520,429 A 5/1996 Gregory
 5,529,129 A 6/1996 Byrd

(72) Inventor: **Chester Szymanski**, Ocala, FL (US) 5,716,087 A * 2/1998 Backich A01B 1/02
 16/422

(**) Term: **15 Years** 5,765,648 A 6/1998 Sheehan et al.
 5,791,708 A 8/1998 Capriotti

(21) Appl. No.: **29/646,651** 5,960,891 A 10/1999 Sheehan et al.
 6,062,320 A 5/2000 Pinto et al.
 6,338,511 B1 1/2002 Douglas et al.
 D462,244 S 9/2002 Woods

(22) Filed: **May 7, 2018** 6,460,911 B1 10/2002 Engelsiepen
 D474,082 S 5/2003 Leiser

(51) **LOC (11) Cl.** **08-01** D506,111 S * 6/2005 Handley D8/10

(52) **U.S. Cl.**
 USPC **D8/10**

(58) **Field of Classification Search**
 USPC D8/1, 7, 10; D21/483, 532; D7/691;
 D30/162
 CPC .. A01B 1/00; A01B 1/02; A01B 1/022; A01B
 1/16; A01B 1/026; A01B 1/22; E02F 3/02
 See application file for complete search history.

(Continued)

Primary Examiner — Sandra S Snapp
Assistant Examiner — Ieisha N Price
 (74) *Attorney, Agent, or Firm* — Christopher M. Ramsey;
 GrayRobinson, P.A.

(56) **References Cited**

U.S. PATENT DOCUMENTS

208,199 A * 9/1878 Pierce A01B 1/02
 294/176

212,678 A * 2/1879 Freeman A01B 1/02
 294/176

247,449 A * 9/1881 Webster A01B 1/02
 294/178

272,799 A 2/1883 Tucker

695,359 A * 3/1902 Wolfe A01B 1/02
 294/176

1,271,287 A 7/1918 Daly

1,401,903 A * 12/1921 Gawthrop, Sr. A01B 1/022
 294/177

1,458,039 A * 6/1923 Eiermann A01B 1/022
 37/434

2,618,501 A 11/1952 Tallant

2,960,230 A 11/1960 Fracker

3,782,770 A 1/1974 Lee

4,002,207 A 1/1977 Bartz

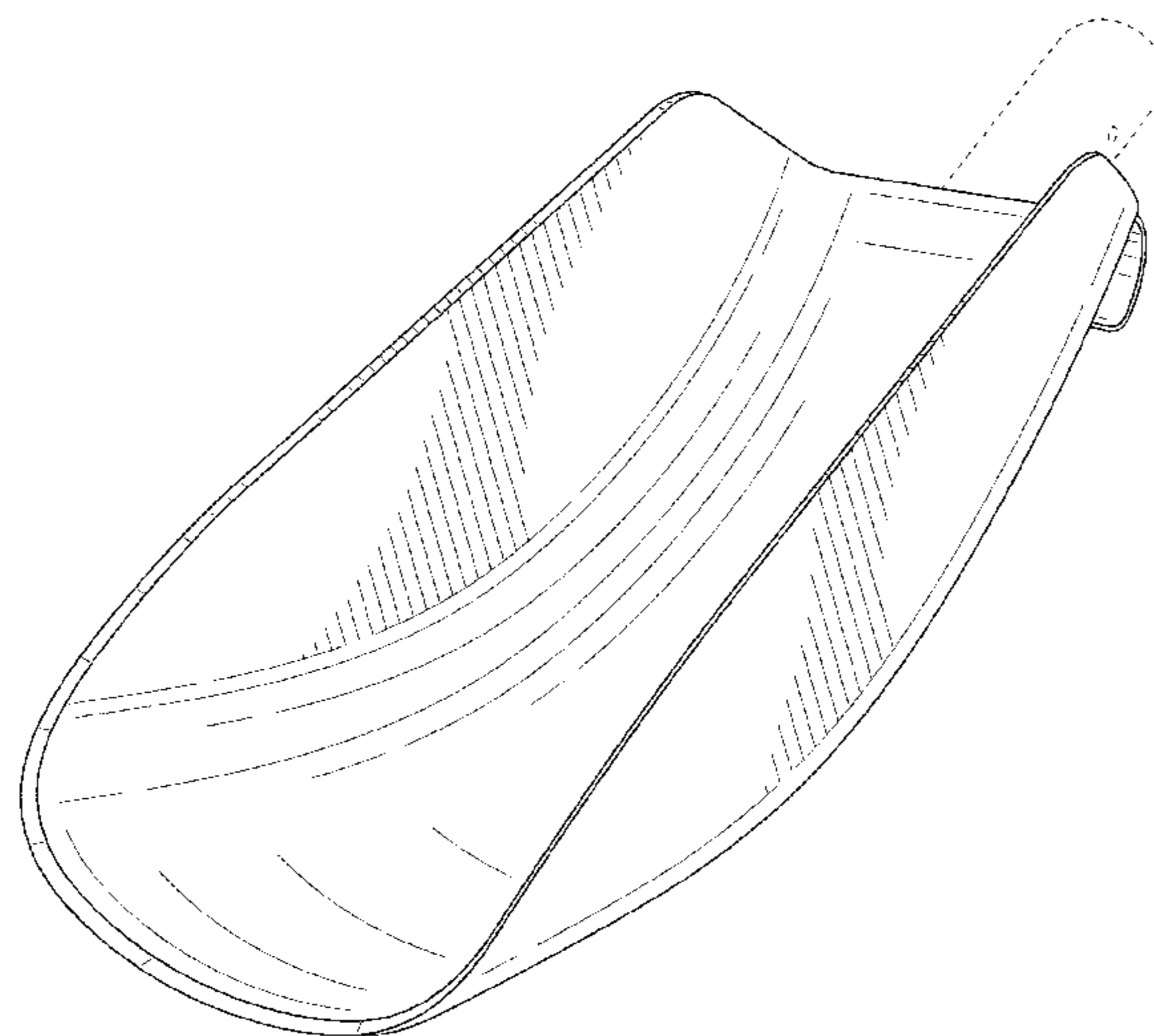
(57) **CLAIM**

The ornamental design for a trench shovel head, as shown and described.

DESCRIPTION

FIG. 1 is a top left side perspective view of the trench shovel head design.
 FIG. 2 is a bottom right side perspective view thereof.
 FIG. 3 is a top view thereof.
 FIG. 4 is a bottom view thereof.
 FIG. 5 is a right side view thereof.
 FIG. 6 is a left side view thereof.
 FIG. 7 is a front view thereof; and,
 FIG. 8 is a back view thereof.
 The broken line showing of the socket in FIGS. 1-6 and 8 illustrates the environment of the claimed design and forms no part thereof.

1 Claim, 7 Drawing Sheets



(56)

References Cited

U.S. PATENT DOCUMENTS

7,070,006	B2	7/2006	Villani	
D599,628	S *	9/2009	Pourounidis	D7/691
8,066,080	B1	11/2011	Hanson	
D684,441	S *	6/2013	Baker	D8/10
9,689,137	B2	6/2017	Matson	
2011/0037281	A1 *	2/2011	Cox	A01B 1/02 294/49
2014/0070556	A1 *	3/2014	Price	A01B 1/02 294/50.6
2016/0353650	A1 *	12/2016	Matson	E02F 3/02
2017/0013768	A1 *	1/2017	Peterson	A01B 1/026

* cited by examiner

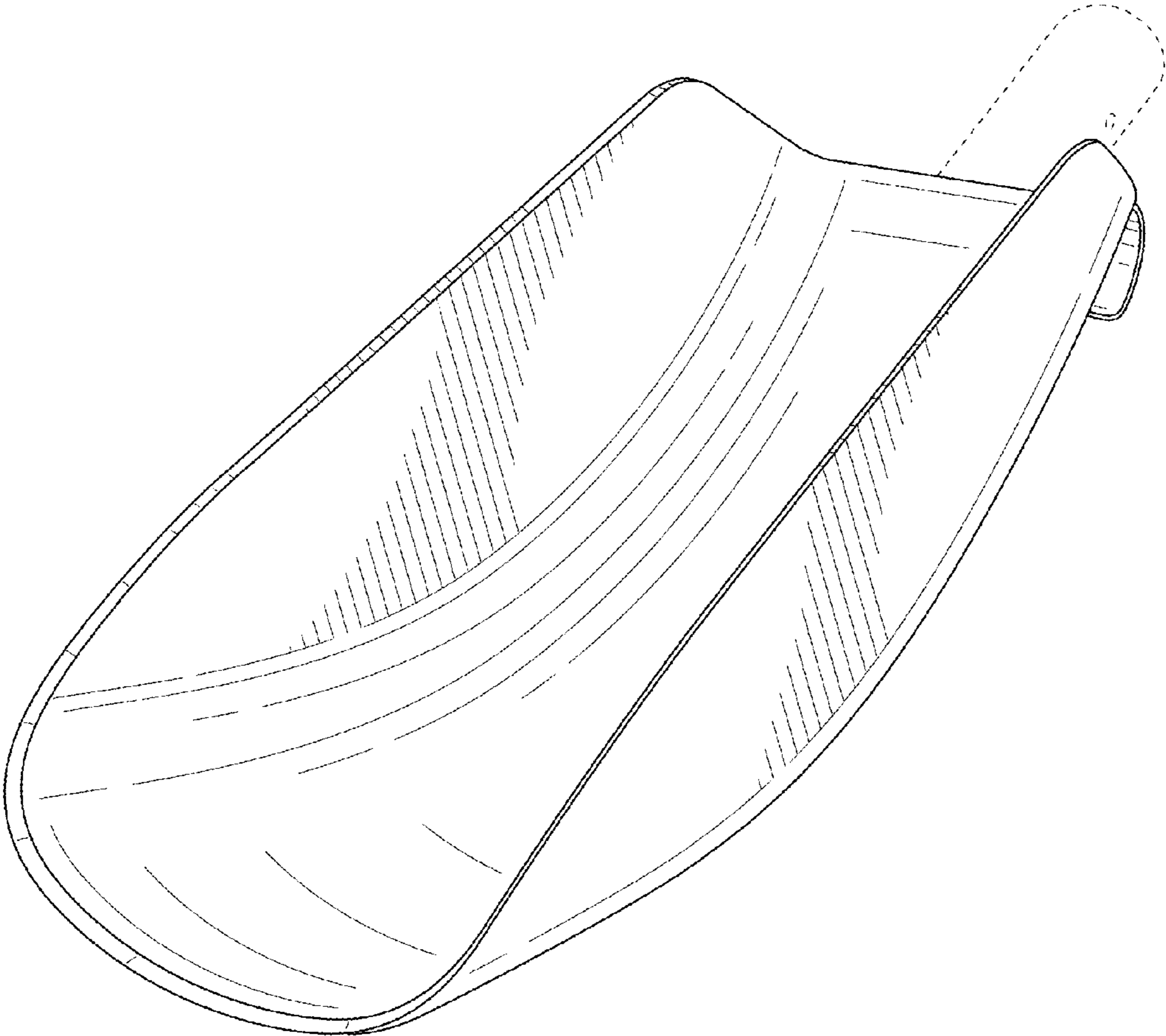


FIG. 1

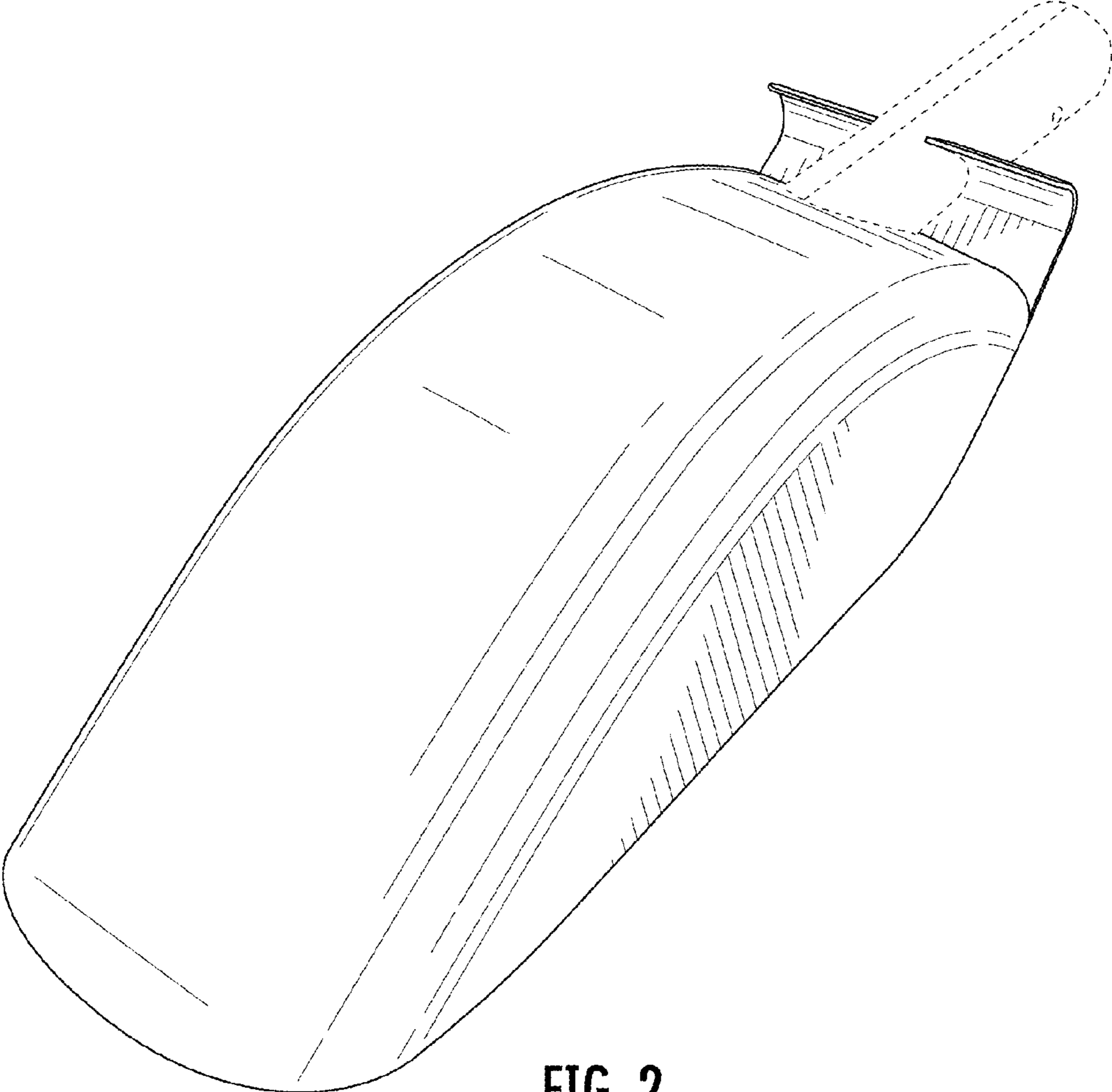


FIG. 2

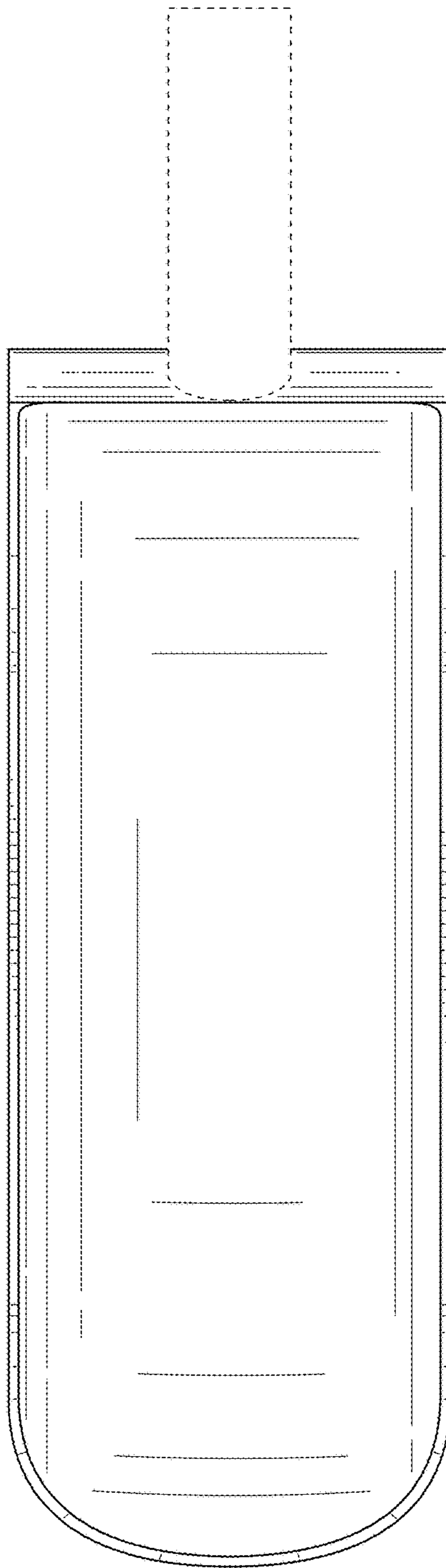


FIG. 3

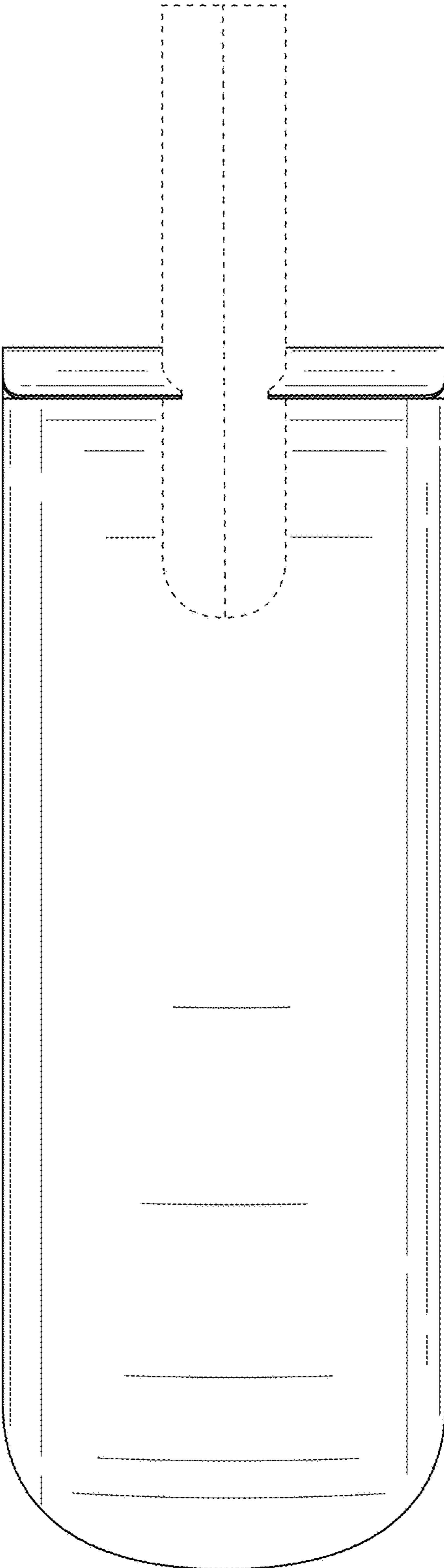


FIG. 4

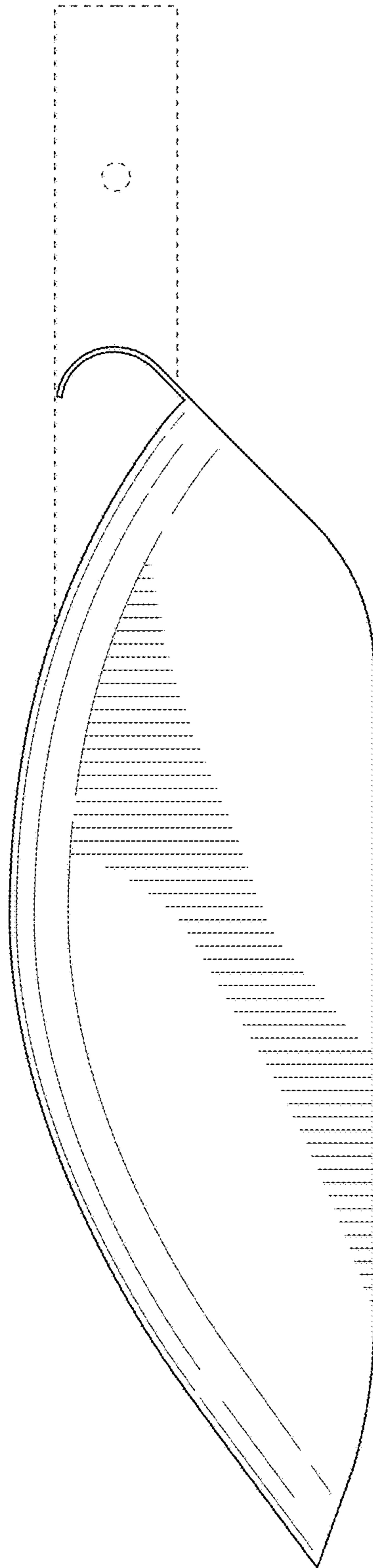


FIG. 5

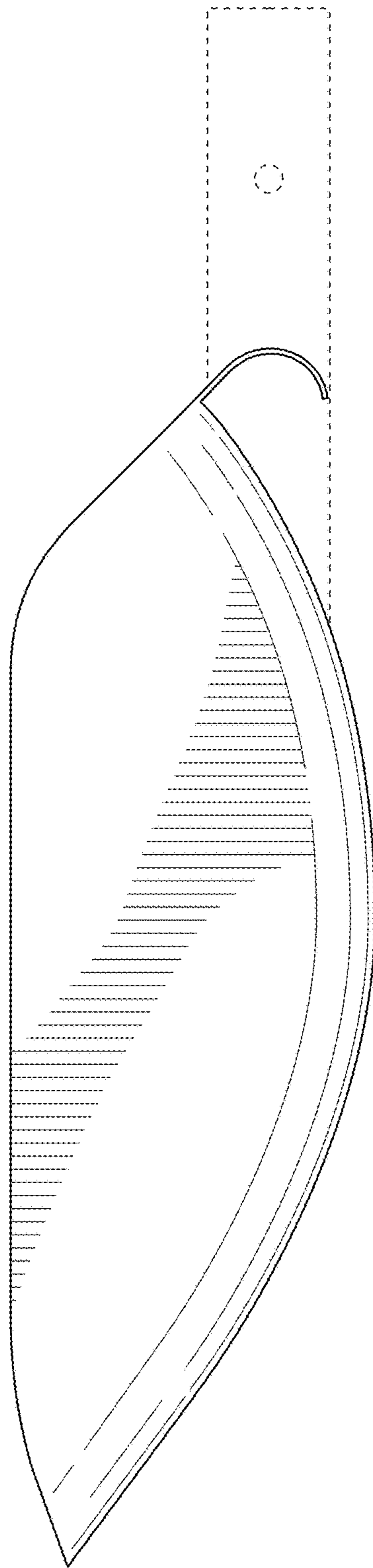


FIG. 6

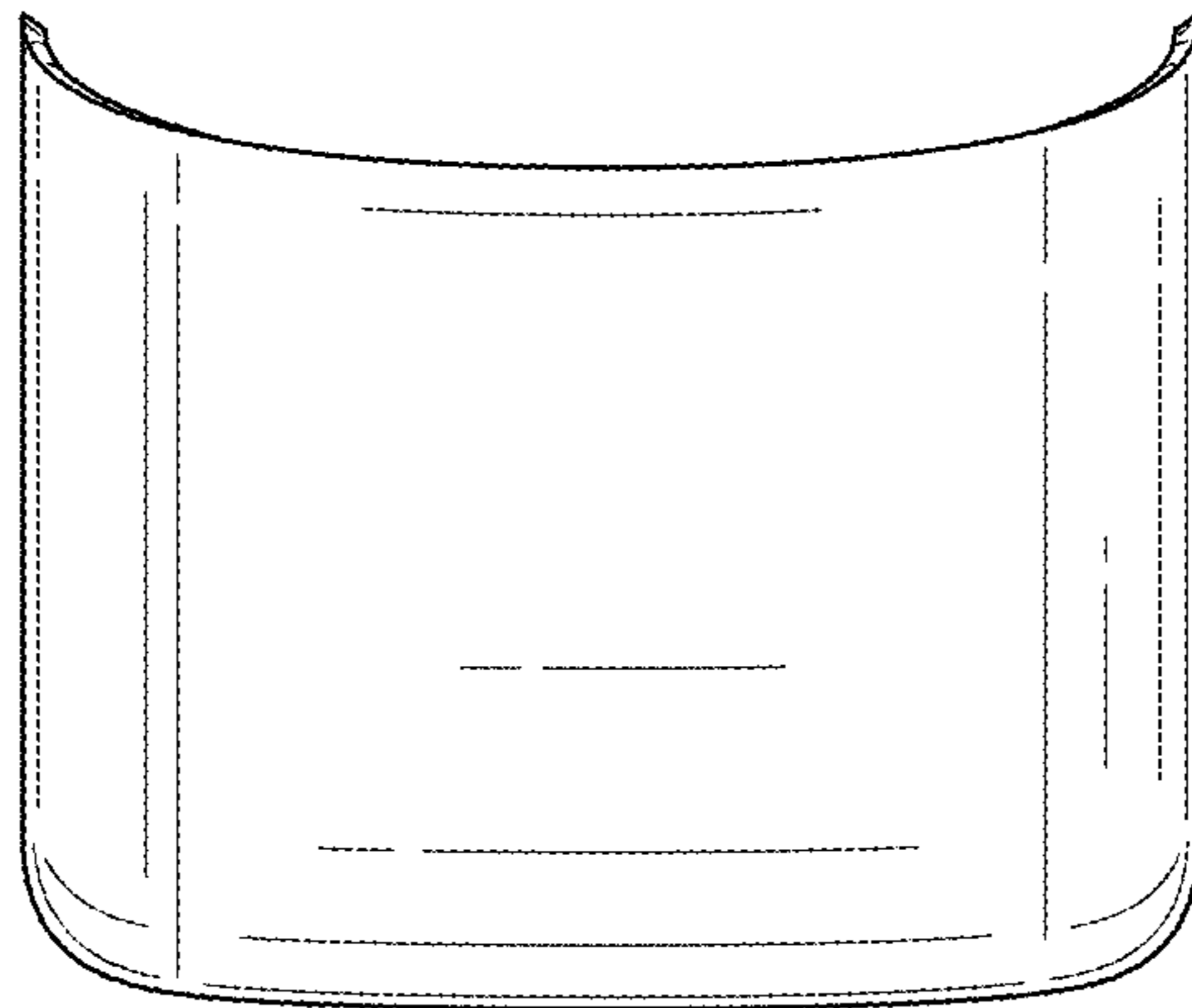


FIG. 7

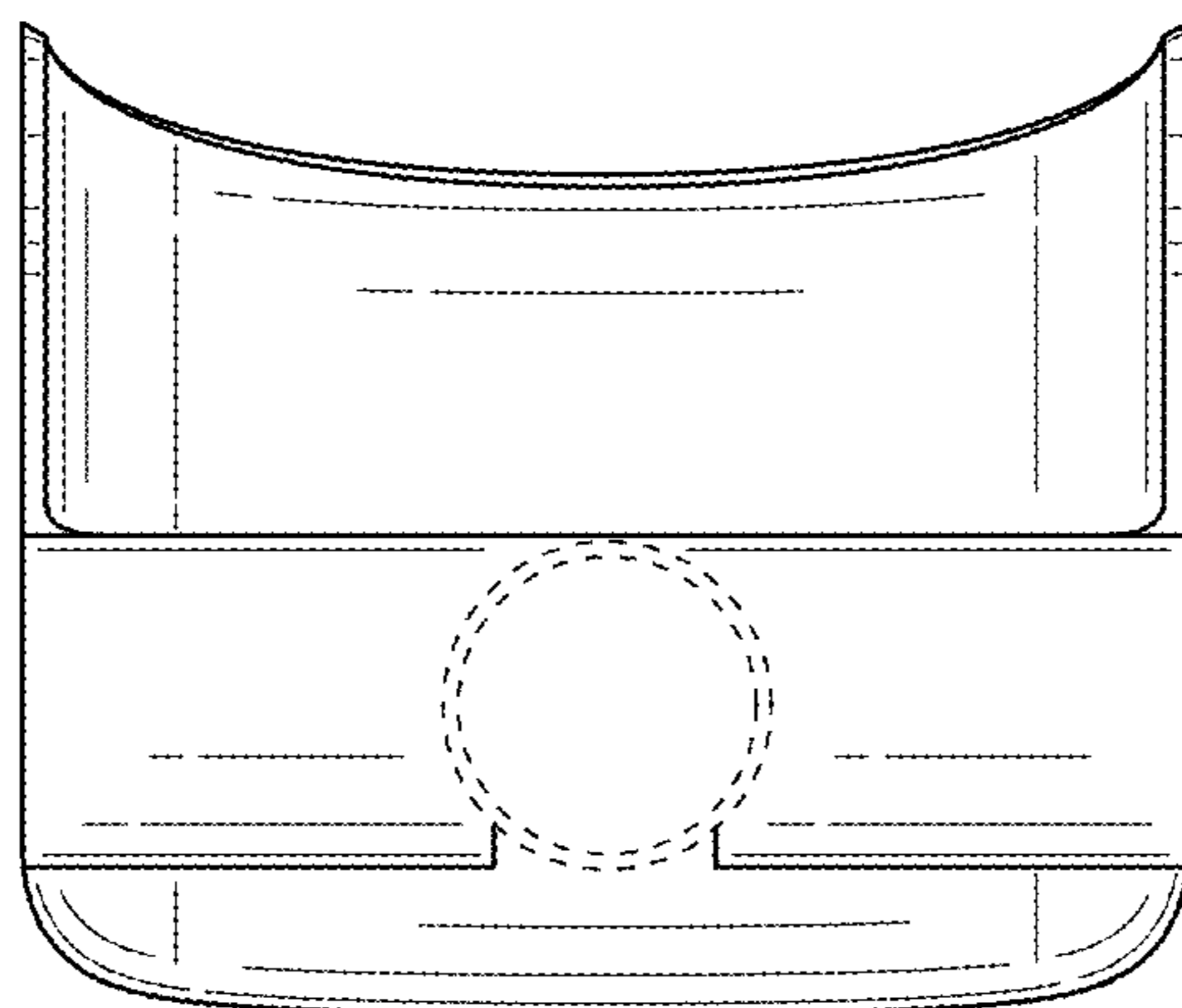


FIG. 8