



US00D852593S

(12) **United States Design Patent** (10) **Patent No.:** **US D852,593 S**
Goodwin et al. (45) **Date of Patent:** **** Jul. 2, 2019**

(54) **APPLICATOR**

(71) Applicant: **OMS Investments, Inc.**, Los Angeles, CA (US)

(72) Inventors: **Randy M. Goodwin**, Grove City, OH (US); **Paul Havlovitz**, Dublin, OH (US); **Ryan R. Berger**, Columbus, OH (US); **Paul Hsu**, Lewis Center, OH (US); **Michael T. Kopczewski**, Grove City, OH (US); **Timothy Michael Martin**, Westerville, OH (US); **Jay F. Perkins**, Pickerington, OH (US)

(73) Assignee: **OMS Investments, Inc.**, Los Angeles, CA (US)

(*) Notice: This patent is subject to a terminal disclaimer.

(**) Term: **15 Years**

(21) Appl. No.: **29/612,989**

(22) Filed: **Aug. 7, 2017**

Related U.S. Application Data

(63) Continuation of application No. 29/591,145, filed on Jan. 17, 2017, now Pat. No. Des. 797,529, which is a continuation of application No. 29/532,941, filed on Jul. 13, 2015, now Pat. No. Des. 779,898, which is a continuation of application No. 29/475,913, filed on Dec. 9, 2013, now Pat. No. Des. 736,577, which is a continuation of application No. 29/433,244, filed on Sep. 27, 2012, which is a continuation of application No. 29/386,483, filed on Mar. 1, 2011, now Pat. No. Des. 670,982.

(51) **LOC (11) Cl.** **08-01**

(52) **U.S. Cl.**
USPC **D8/2**

(58) **Field of Classification Search**

USPC D8/2; D23/224, 225; 239/302, 308, 316, 239/310, 318, 525, 542, 602
CPC B05B 7/2421; B05B 9/01; B05B 1/00; E03C 1/046; A01G 25/023
See application file for complete search history.

(56) **References Cited**

U.S. PATENT DOCUMENTS

241,307 A 5/1881 Corwin
260,829 A 7/1882 Bradley
337,268 A 3/1886 Keedy
557,987 A 4/1896 Frank

(Continued)

FOREIGN PATENT DOCUMENTS

EP 0591601 A1 4/1994
EP 0677401 A2 10/1995

(Continued)

OTHER PUBLICATIONS

Air Wick Odor Stop Product Promotion retrieved from the Internet at www.winwithairwick.co.nz/airwick_entry_form.pdf, 2006.

(Continued)

Primary Examiner — Sheryl Lane

(74) *Attorney, Agent, or Firm* — Ulmer & Berne LLP

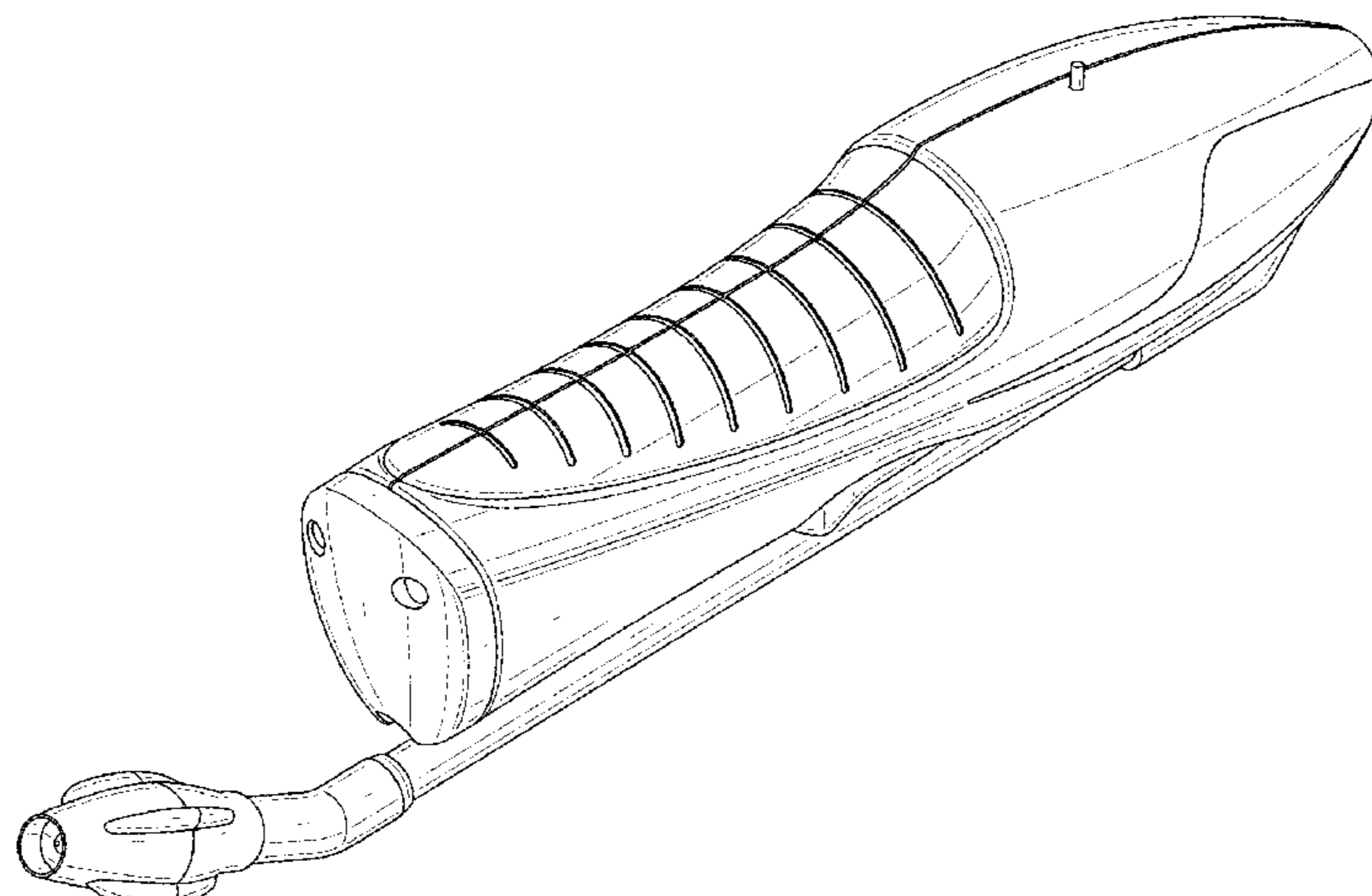
(57) **CLAIM**

The ornamental design for an applicator, as shown and described.

DESCRIPTION

FIG. 1 is a perspective view of an applicator;
FIG. 2 is a front elevation view thereof;
FIG. 3 is a rear elevation view thereof;
FIG. 4 is a side elevation view thereof;
FIG. 5 is an opposite side elevation view thereof;
FIG. 6 is a top plan view thereof; and,
FIG. 7 is a bottom plan view thereof.

1 Claim, 6 Drawing Sheets



(56)

References Cited

U.S. PATENT DOCUMENTS

813,254 A	2/1906	Sweeney	4,382,552 A	5/1983	Lubsen et al.
1,264,503 A	4/1918	Griffin	4,396,356 A	8/1983	Thompson
1,456,408 A	5/1923	Scherer	4,418,869 A	12/1983	Healy
1,521,831 A	1/1925	Olvawitsz	4,442,977 A	4/1984	Beiswenger et al.
1,544,503 A	6/1925	Wayne	4,491,254 A	1/1985	Viets et al.
1,595,231 A	8/1926	Dryer	4,527,740 A	7/1985	Gunzel, Jr. et al.
1,631,951 A	6/1927	McAnsh	D281,899 S	12/1985	Gunzel, Jr. et al.
1,912,759 A	6/1933	Clark	D281,900 S	12/1985	Gunzel, Jr. et al.
1,982,094 A	11/1934	Gessler	4,618,099 A	10/1986	Nagao et al.
2,006,437 A	7/1935	Burgess et al.	4,624,413 A	11/1986	Corsette
2,050,522 A	8/1936	Evans et al.	4,651,930 A	3/1987	Magaha, Jr.
2,135,665 A	11/1938	Hoban	4,664,301 A	5/1987	Hoyt
2,246,211 A	6/1941	Kilich	4,706,888 A	11/1987	Dobbs
2,248,701 A	7/1941	Fowler	4,785,850 A	11/1988	Sanchez
2,293,390 A	8/1942	Hengesbach	D298,848 S	12/1988	Chow et al.
2,348,205 A	5/1944	Chater	4,811,870 A	3/1989	Bianco
2,388,445 A	11/1945	Stewart	4,826,085 A	5/1989	Chow et al.
2,416,719 A	3/1947	Stockdale	4,878,619 A	11/1989	Norman
2,460,545 A	2/1949	Spreng	4,890,340 A	1/1990	Lovitt
2,485,723 A	10/1949	Fitzgerald	4,890,792 A	1/1990	Martin et al.
2,536,361 A	1/1951	Flanders	4,901,923 A	2/1990	McRoskey et al.
2,580,629 A	1/1952	Wenzel	4,901,976 A	2/1990	Smith
2,599,678 A	6/1952	Walker	D306,961 S	4/1990	Emms
2,603,388 A	7/1952	Bryant	D307,628 S	5/1990	Ballu
2,647,798 A	8/1953	Ballard	4,925,105 A	5/1990	Lin
2,673,664 A	3/1954	Boysen	4,982,896 A	1/1991	Crow
2,711,928 A	6/1955	Randa	D322,838 S	12/1991	Hagedorn
2,754,152 A	7/1956	Gilmour	5,069,389 A	12/1991	Bitsakos
2,760,820 A	8/1956	Cirese	5,097,540 A	3/1992	Lovitt
2,788,244 A	4/1957	Gilmour	5,110,231 A	5/1992	Monteith et al.
2,788,245 A	4/1957	Gilmour	D327,528 S	6/1992	Sears et al.
2,951,645 A	9/1960	Price et al.	5,143,294 A	9/1992	Lintvedt
2,961,335 A	11/1960	Shepard	5,203,468 A	4/1993	Hsu
2,981,284 A	4/1961	Putnam	5,205,424 A	4/1993	Gaspar
2,991,939 A	7/1961	Packard	5,213,264 A	5/1993	Styne
3,088,679 A	5/1963	Ford	5,213,265 A	5/1993	Englhard et al.
3,104,823 A	9/1963	Hayes	5,263,646 A	11/1993	McCauley et al.
3,123,253 A	3/1964	Lambton	5,277,343 A	1/1994	Parsonage
3,140,018 A	7/1964	Miller	5,279,461 A	1/1994	Darroch
D200,960 S	4/1965	Beinert	5,332,158 A	7/1994	Styne et al.
3,181,797 A	5/1965	Hayes	5,335,858 A	8/1994	Dunning et al.
3,185,358 A	5/1965	Marler	5,346,081 A	9/1994	Lin
3,207,443 A	9/1965	Gilmour	5,356,076 A	10/1994	Bishop
3,233,783 A	2/1966	Thornton	5,375,769 A	12/1994	Schultz
3,253,788 A	5/1966	McHugh et al.	5,388,712 A	2/1995	Brody
3,254,844 A	6/1966	Blasnik et al.	5,413,280 A	5/1995	Taylor
3,255,924 A	6/1966	Modderno	5,469,993 A	11/1995	Hauf et al.
3,319,893 A	5/1967	Rodgers et al.	5,484,106 A	1/1996	Gilmond
3,323,685 A	6/1967	Schultz	5,499,766 A	3/1996	Foster et al.
3,372,846 A	3/1968	Berkus	5,522,547 A	6/1996	Dobbs et al.
3,381,899 A	5/1968	Forsman	5,526,985 A	6/1996	Martin
3,401,840 A	9/1968	McConnell et al.	5,590,837 A	1/1997	Grogan
3,443,726 A	5/1969	Muller et al.	5,593,094 A	1/1997	Barriac et al.
3,445,067 A	5/1969	Sheldall	5,628,461 A	5/1997	Foster et al.
3,447,753 A	6/1969	Proctor et al.	5,641,125 A	6/1997	Martin et al.
3,467,314 A	9/1969	Grubb	5,673,824 A	10/1997	Evans
3,499,606 A	3/1970	Smith	5,678,768 A	10/1997	Gager et al.
3,632,046 A	1/1972	Hengensbach	5,685,487 A	11/1997	Ellis
3,655,099 A	4/1972	Hazard	5,711,251 A	1/1998	Green et al.
3,764,074 A	10/1973	James	5,727,736 A	3/1998	Tryon
3,770,205 A	11/1973	Proctor et al.	5,738,282 A	4/1998	Grogan
3,800,786 A	4/1974	Kovach	5,755,384 A	5/1998	Foster et al.
3,833,177 A	9/1974	Pasley et al.	5,864,895 A	2/1999	Ota et al.
D234,952 S	4/1975	Rouquie	5,868,321 A	2/1999	Haruch
D235,063 S	5/1975	Gunzel, Jr. et al.	5,878,959 A	3/1999	Smolen, Jr. et al.
3,940,069 A	2/1976	Gunzel, Jr. et al.	5,881,955 A	3/1999	Styne
3,964,689 A	6/1976	Horvath	5,890,628 A	4/1999	Simpson et al.
3,993,245 A	11/1976	Smith	5,918,621 A	7/1999	Gilmore
4,027,822 A	6/1977	Usher	5,954,272 A	9/1999	Liao
4,058,259 A	11/1977	Schantz	5,964,415 A	10/1999	Hadar
D251,793 S	5/1979	DeGelder	5,975,164 A	11/1999	Whaley et al.
4,153,184 A	5/1979	Parish et al.	5,996,858 A	12/1999	Tapp et al.
4,250,911 A	2/1981	Kratz	D421,204 S	2/2000	McBride
4,291,814 A	9/1981	Conn	6,126,090 A	10/2000	Wadsworth et al.
4,349,157 A	9/1982	Beiswenger et al.	6,131,774 A	10/2000	Thomas et al.
			6,170,706 B1	1/2001	Havlovitz
			6,186,366 B1	2/2001	Good et al.
			6,213,410 B1	4/2001	Spitznagel
			6,223,999 B1	5/2001	Lemelshtich et al.

(56)

References Cited

U.S. PATENT DOCUMENTS

6,279,773 B1 8/2001 Kiyota
 D447,791 S 9/2001 Robidoux
 D448,450 S 9/2001 Lawson et al.
 6,293,294 B1 9/2001 Loeb et al.
 6,390,335 B1 5/2002 Lawson et al.
 D459,438 S 6/2002 Knowles
 6,402,053 B1 6/2002 Chih
 6,415,956 B1 7/2002 Havlovitz
 6,419,166 B1 7/2002 Brzezinski et al.
 6,422,485 B1 7/2002 Hsu
 6,453,953 B1 9/2002 Adriansens et al.
 6,511,001 B1 1/2003 Huang
 6,536,684 B1 3/2003 Wei
 6,546,949 B1 4/2003 Gilmore
 D476,558 S 7/2003 Cho et al.
 6,595,437 B1 7/2003 Lawson et al.
 6,604,546 B1 8/2003 Gilmore
 6,609,733 B2 8/2003 Gilmore
 6,612,506 B1 9/2003 Huang
 6,712,292 B1 3/2004 Gosis et al.
 6,715,698 B2 4/2004 Foster et al.
 6,726,123 B2 4/2004 Wang
 D489,970 S 5/2004 Nelson et al.
 6,761,324 B2 7/2004 Chang
 6,851,632 B2 2/2005 Ferrazza et al.
 6,896,203 B1 5/2005 Restive
 D507,493 S 7/2005 Nelson et al.
 6,976,640 B2 12/2005 Chen
 6,976,644 B2 12/2005 Troudt
 6,978,946 B2 12/2005 Sweeton
 6,988,675 B2 1/2006 Hubmann et al.
 7,017,833 B2 3/2006 Foster
 7,021,571 B1 4/2006 Lawson et al.
 D524,906 S 7/2006 Birrenkott et al.
 7,083,125 B2 8/2006 Westphal et al.
 7,086,610 B2 8/2006 Hubmann et al.
 D529,575 S 10/2006 Birrenkott et al.
 7,156,324 B2 1/2007 Birrenkott et al.
 7,168,629 B2 1/2007 Timmes et al.
 D537,359 S 2/2007 Butler et al.
 7,182,280 B2 2/2007 Ye et al.
 D539,142 S 3/2007 Butler et al.
 D542,373 S 5/2007 Cooper
 D559,682 S 1/2008 Meeker et al.
 D561,301 S 2/2008 Troyer
 7,337,989 B1 3/2008 Penner et al.
 D569,478 S 5/2008 Cichy et al.
 D575,601 S 8/2008 Ricketts
 D582,272 S 12/2008 Cichy
 D619,215 S 7/2010 Havlovitz et al.
 7,837,132 B2 11/2010 Mazooji et al.
 7,992,809 B1 8/2011 Barnett
 8,003,121 B1 8/2011 Dingeldein et al.
 D653,305 S 1/2012 Hudson et al.
 D662,375 S * 6/2012 Carozza D8/2

D670,982 S * 11/2012 Goodwin D8/2
 D736,577 S * 8/2015 Goodwin D23/223
 D779,898 S * 2/2017 Goodwin D8/2
 D797,529 S * 9/2017 Goodwin D8/2
 10,022,742 B2 7/2018 Goodwin et al.
 2004/0007633 A1 1/2004 Simmons
 2004/0050959 A1 3/2004 Mazooji et al.
 2004/0222246 A1 11/2004 Bates et al.
 2005/0145270 A1 7/2005 Ray
 2005/0173452 A1 8/2005 Brown et al.
 2006/0013709 A1 1/2006 Hudson et al.
 2006/0255183 A1 11/2006 Burdsall et al.
 2007/0125878 A1 6/2007 Hahn et al.
 2007/0170285 A1 7/2007 Schouten
 2007/0228187 A1 10/2007 Nelson et al.
 2008/0011882 A1 1/2008 Foster et al.
 2008/0061167 A1 3/2008 Gansebom
 2010/0044454 A1 2/2010 Karazniewicz
 2010/0163646 A1 7/2010 Havlovitz et al.
 2010/0170964 A1 7/2010 Fedorov
 2012/0223160 A1 9/2012 Goodwin et al.
 2013/0068857 A1 3/2013 Hite
 2018/0085770 A1 3/2018 Goodwin et al.

FOREIGN PATENT DOCUMENTS

EP 0798158 A2 10/1997
 EP 1022060 A2 7/2000
 EP 1305055 A1 5/2003
 EP 1602199 B1 9/2009
 FR 2708569 A1 2/1995
 GB 1319788 A 6/1973
 GB 1386186 A 3/1975
 GB 2018626 A 10/1979
 GB 2286109 A 8/1995
 WO 0209783 A1 2/2002
 WO 2012118949 A2 9/2012

OTHER PUBLICATIONS

International Search Report for International Patent Application No. PCT/US2006/026119, dated Jan. 5, 2007.
 Extended European Search Report for European Application No. 06774502.6, dated Jul. 23, 2009.
 International Search Report for International Patent Application No. PCT/US2009/069396, dated Mar. 1, 2010.
 International Search Report and Written Opinion for International Patent Application No. PCT/US2012/027242, dated Jun. 6, 2012.
 Extended European Search Report for European Application No. 12752589.7, dated Oct. 14, 2014.
 Search Report for Chinese Application No. 201280021146.3, dated Jul. 3, 2015.
 Supplementary Search Report for Chinese Application No. 201280021146.3, dated Jul. 13, 2016.

* cited by examiner

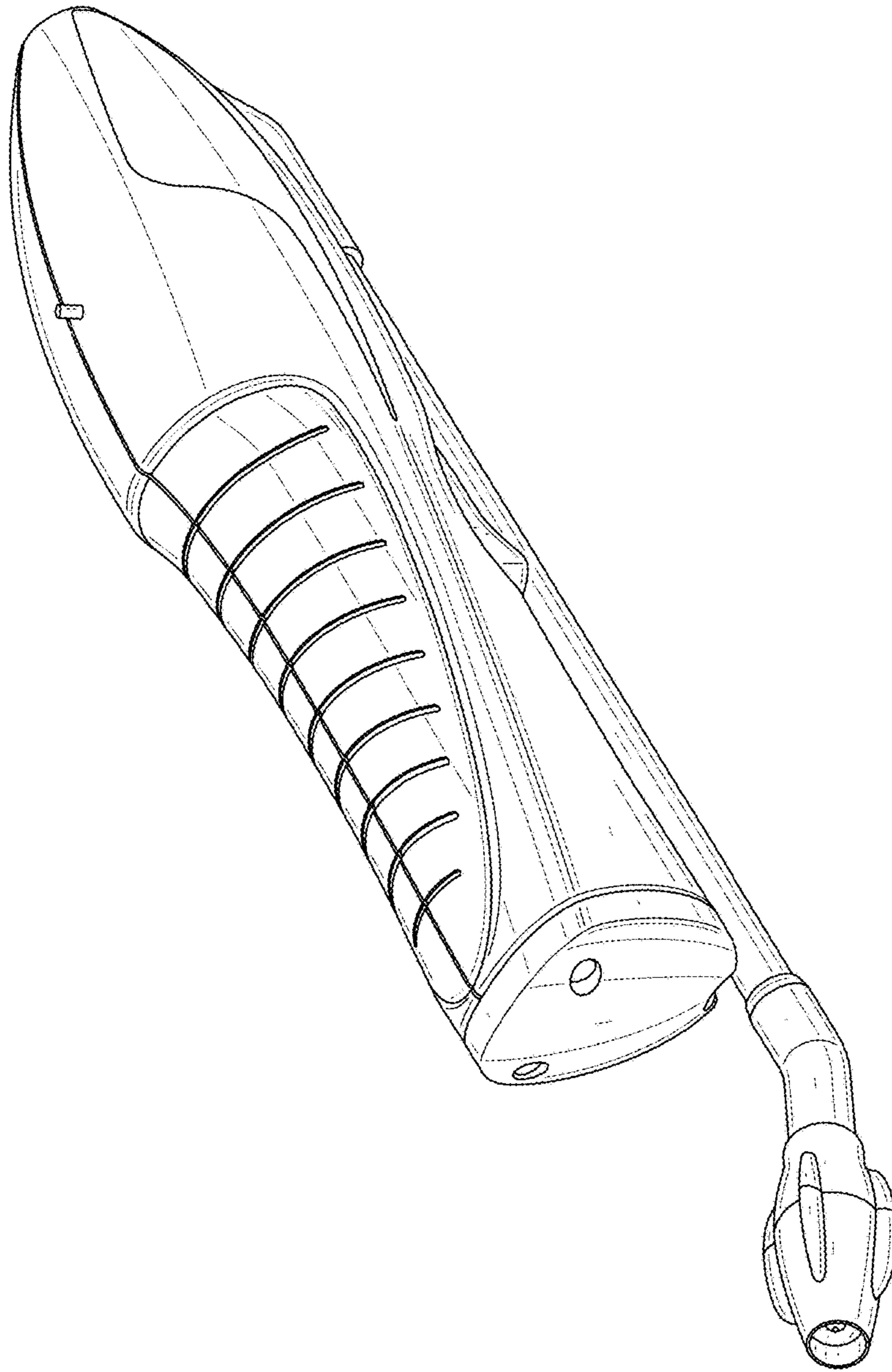


FIG. 1

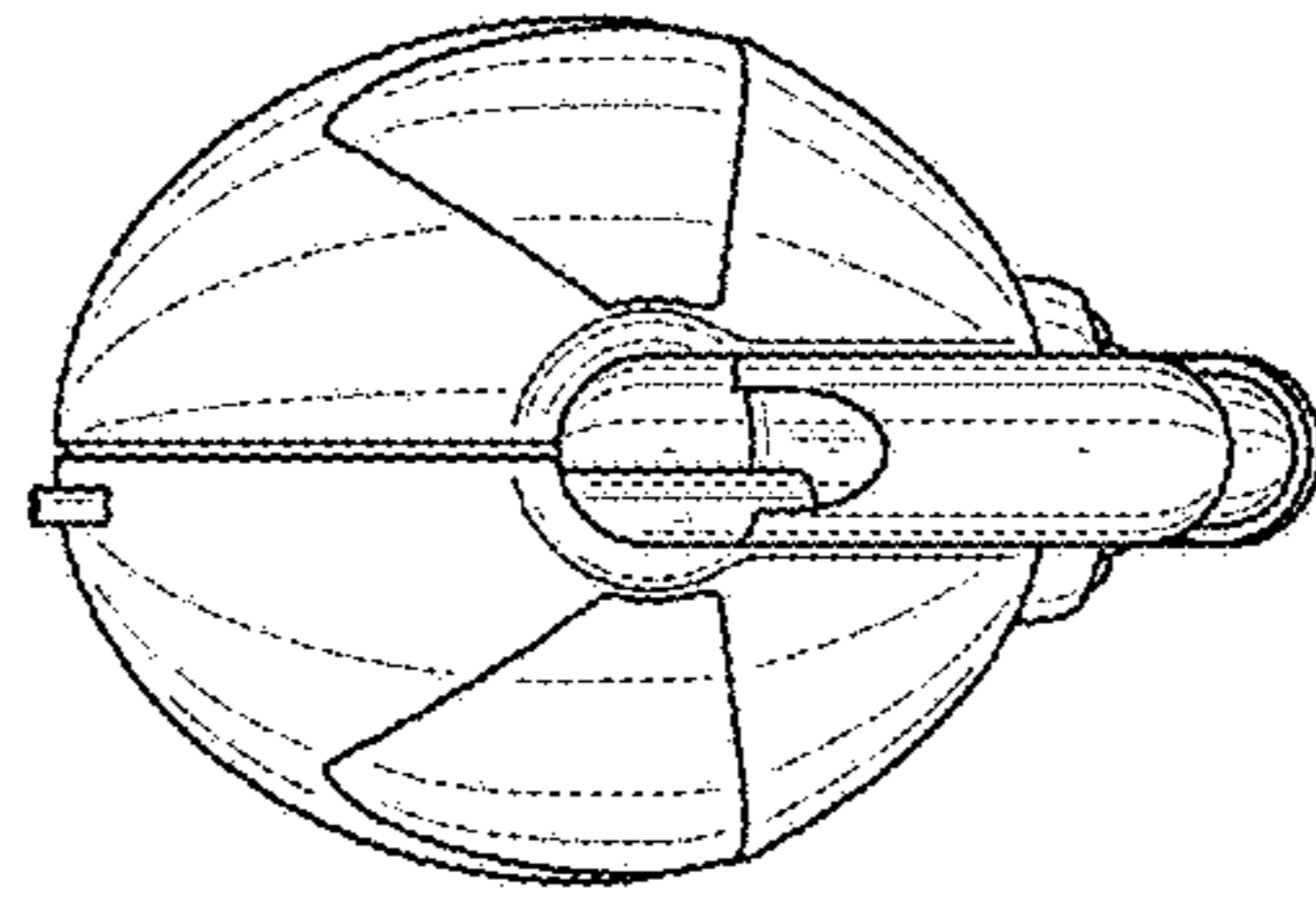


FIG. 3

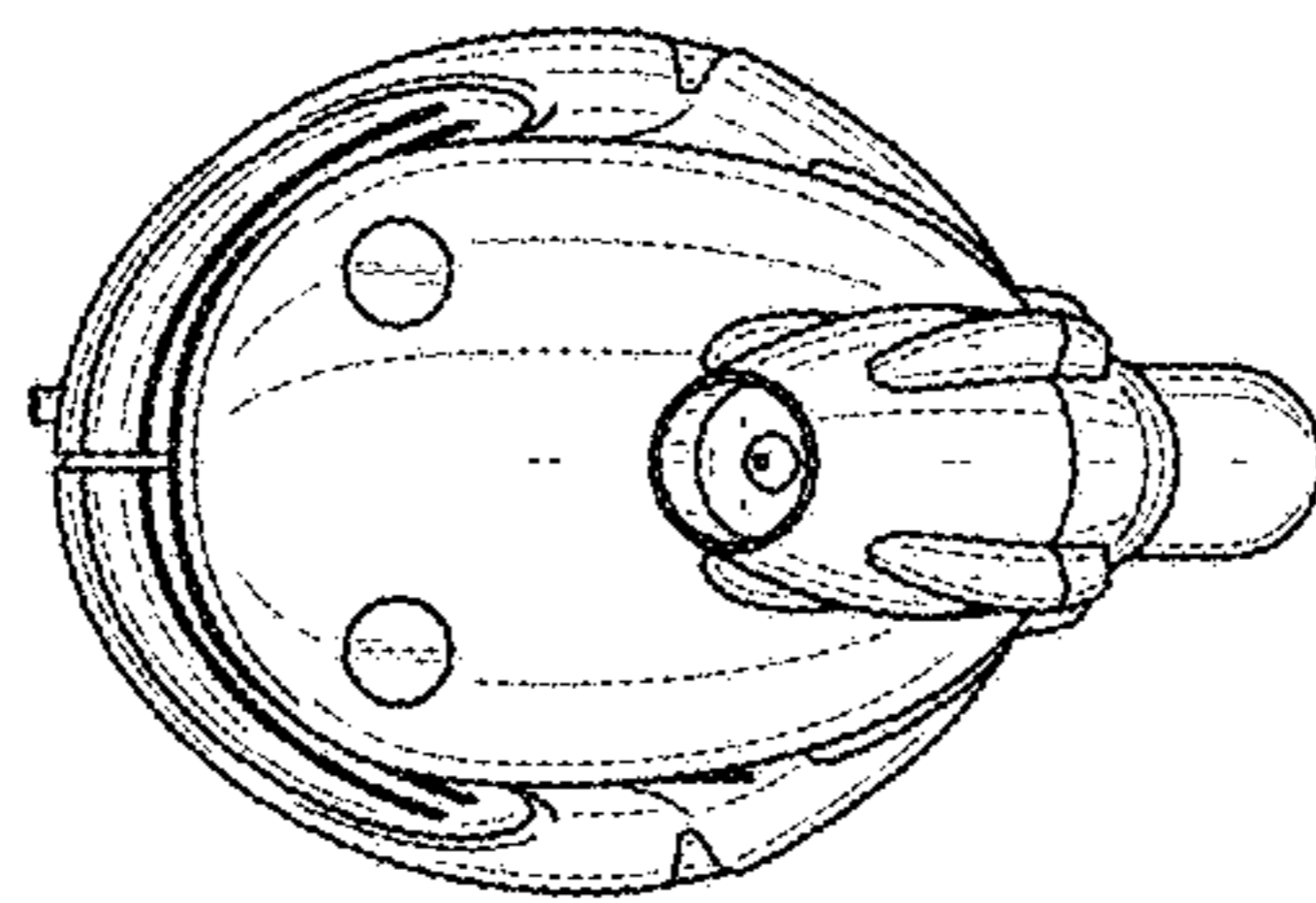


FIG. 2

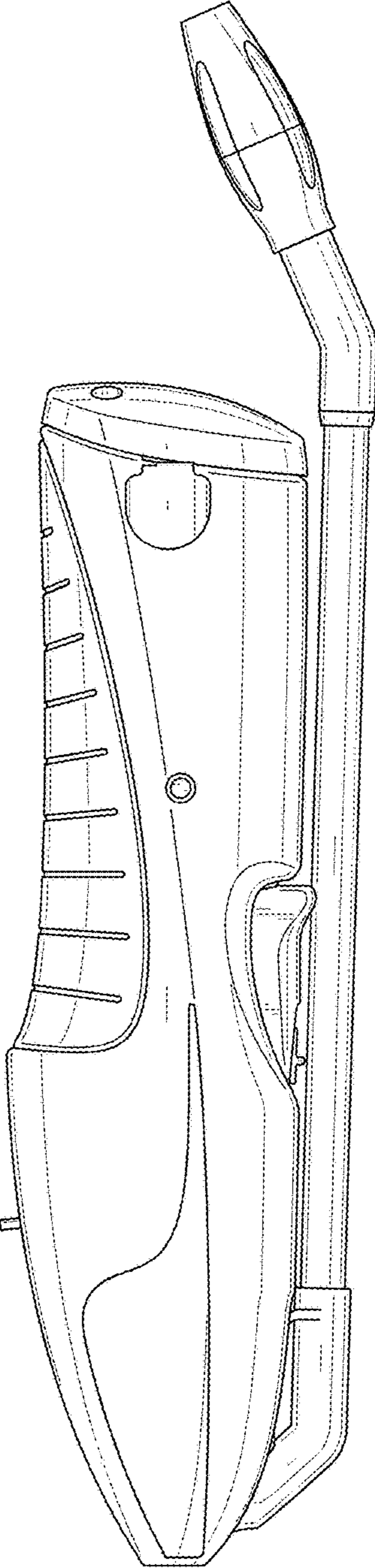


FIG. 4

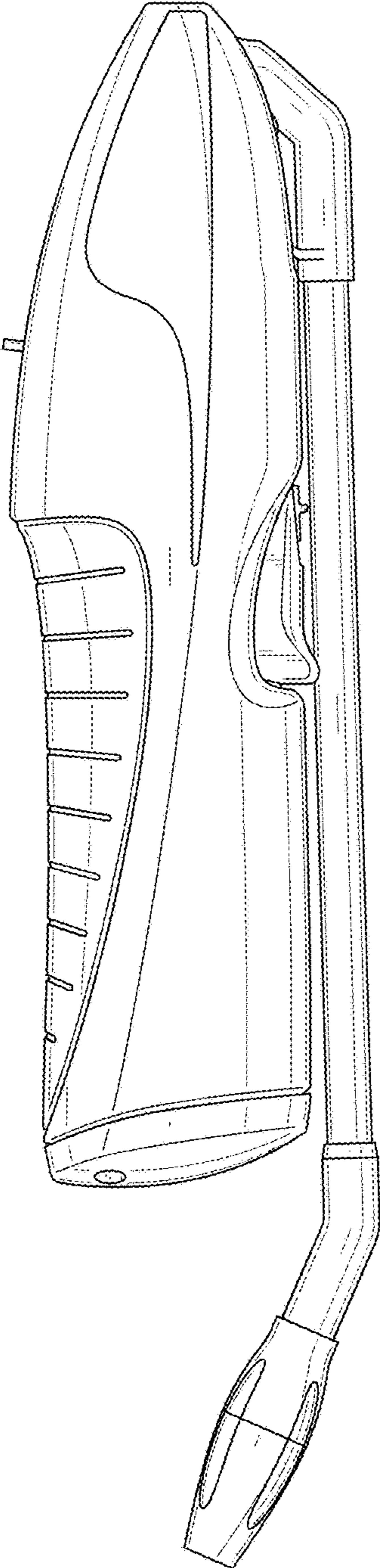


FIG. 5

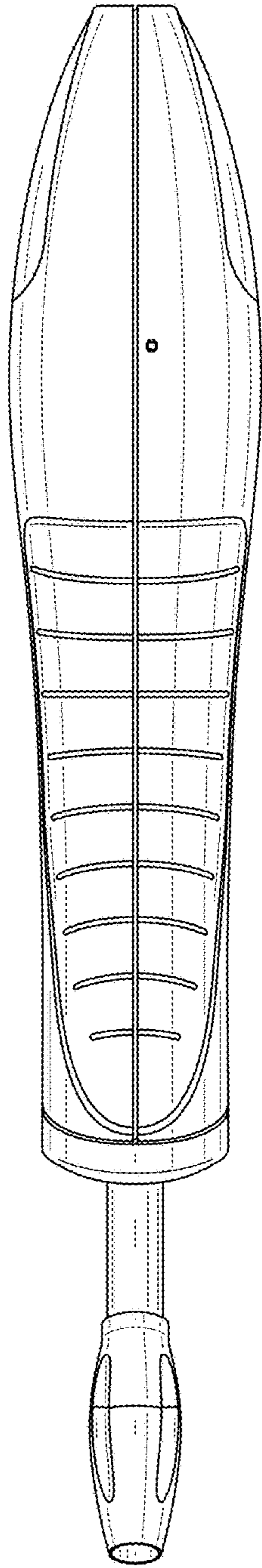


FIG. 6

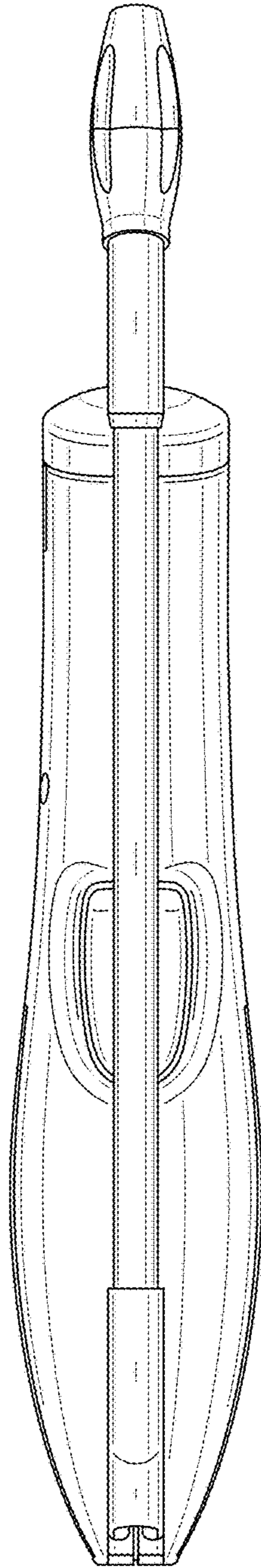


FIG. 7