

US00D852592S

(12) **United States Design Patent**  
**Davies et al.**

(10) **Patent No.:** **US D852,592 S**  
(45) **Date of Patent:** **\*\* Jul. 2, 2019**

(54) **EGG YOLK SEPARATOR**

5,088,392 A \* 2/1992 Ancona ..... A47J 43/25  
220/4.03  
6,095,038 A \* 8/2000 Cerro ..... A47J 43/14  
99/497  
6,303,915 B1 \* 10/2001 Young ..... A23J 1/09  
219/733

(71) Applicant: **JOSEPH JOSEPH LTD.**, London  
(GB)

(72) Inventors: **Graeme Davies**, London (GB); **Joshua Richards**, London (GB)

(73) Assignee: **JOSEPH JOSEPH LTD.**, London

(\*\*) Term: **15 Years**

(21) Appl. No.: **29/639,598**

(22) Filed: **Mar. 7, 2018**

(30) **Foreign Application Priority Data**

Sep. 7, 2017 (EM) ..... 004246585-0012

(51) **LOC (11) Cl.** ..... **07-04**

(52) **U.S. Cl.**  
USPC ..... **D7/667**

(58) **Field of Classification Search**  
USPC ..... D7/667, 668, 669, 368  
CPC A47J 43/14; A47J 43/00; A47J 43/145; A47J  
43/25; A47J 29/00; A47J 36/027; A23J  
1/08; A23J 1/09; A23L 15/00  
See application file for complete search history.

(56) **References Cited**

**U.S. PATENT DOCUMENTS**

1,327,929 A \* 1/1920 Tripke ..... A47J 19/022  
99/499  
3,857,327 A \* 12/1974 Popeil ..... A47J 43/14  
220/23.8

\* cited by examiner

*Primary Examiner* — Terry A Wallace

(74) *Attorney, Agent, or Firm* — Millen, White, Zelano & Branigan, PC

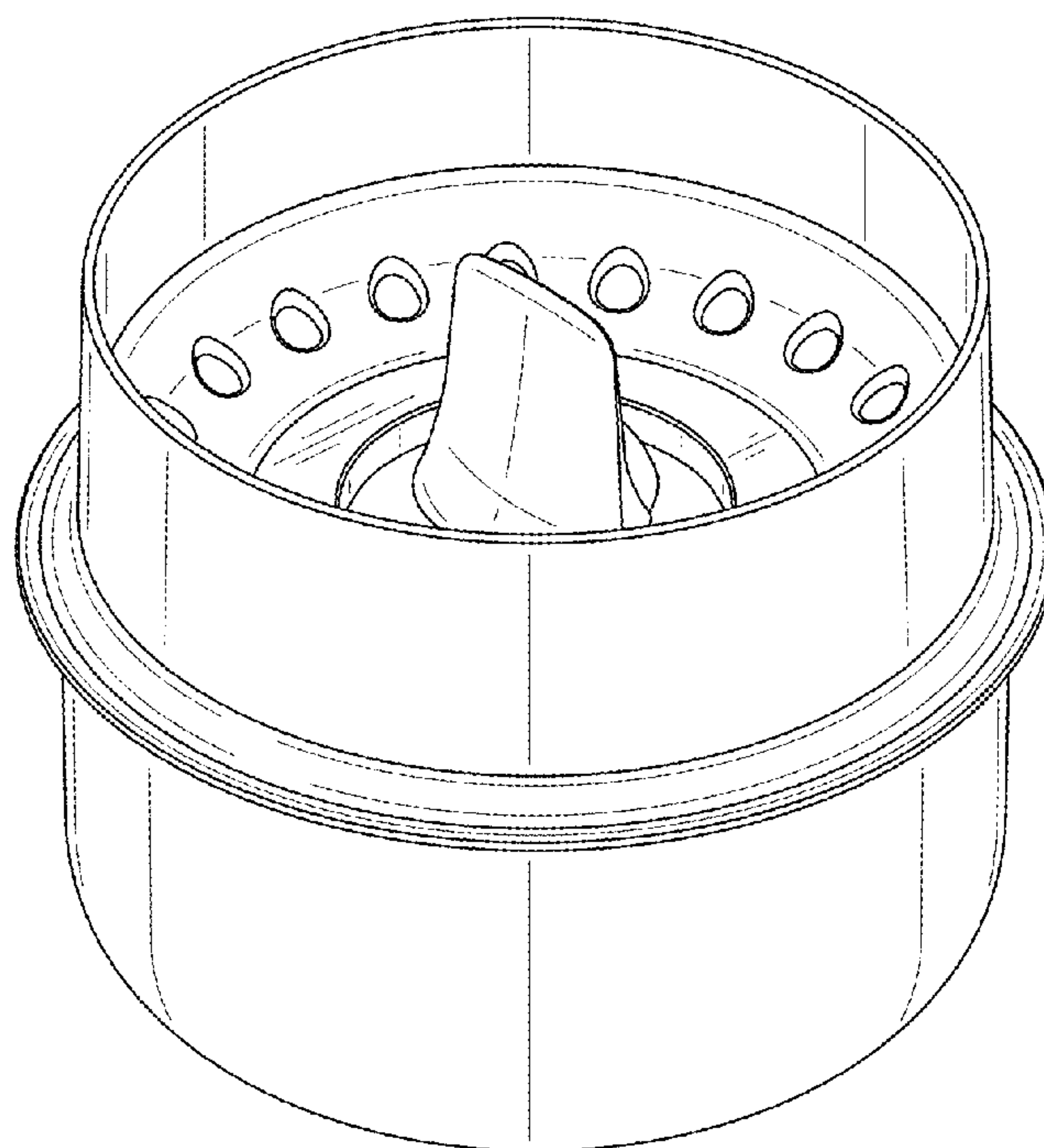
(57) **CLAIM**

The ornamental design for a egg yolk separator, as shown and described.

**DESCRIPTION**

FIG. 1 is a top perspective view of the egg yolk separator showing my new design.  
FIG. 2 is a side view thereof.  
FIG. 3 is another side view thereof.  
FIG. 4 is another side view thereof.  
FIG. 5 is another side view thereof.  
FIG. 6 is top view thereof.  
FIG. 7 is a bottom view thereof.  
FIG. 8 is a top perspective view thereof with the top removed; and,  
FIG. 9 is a top exploded perspective view thereof.  
The broken lines in the drawings illustrate portions of the egg yolk separator which form no part of the claimed design.

**1 Claim, 9 Drawing Sheets**



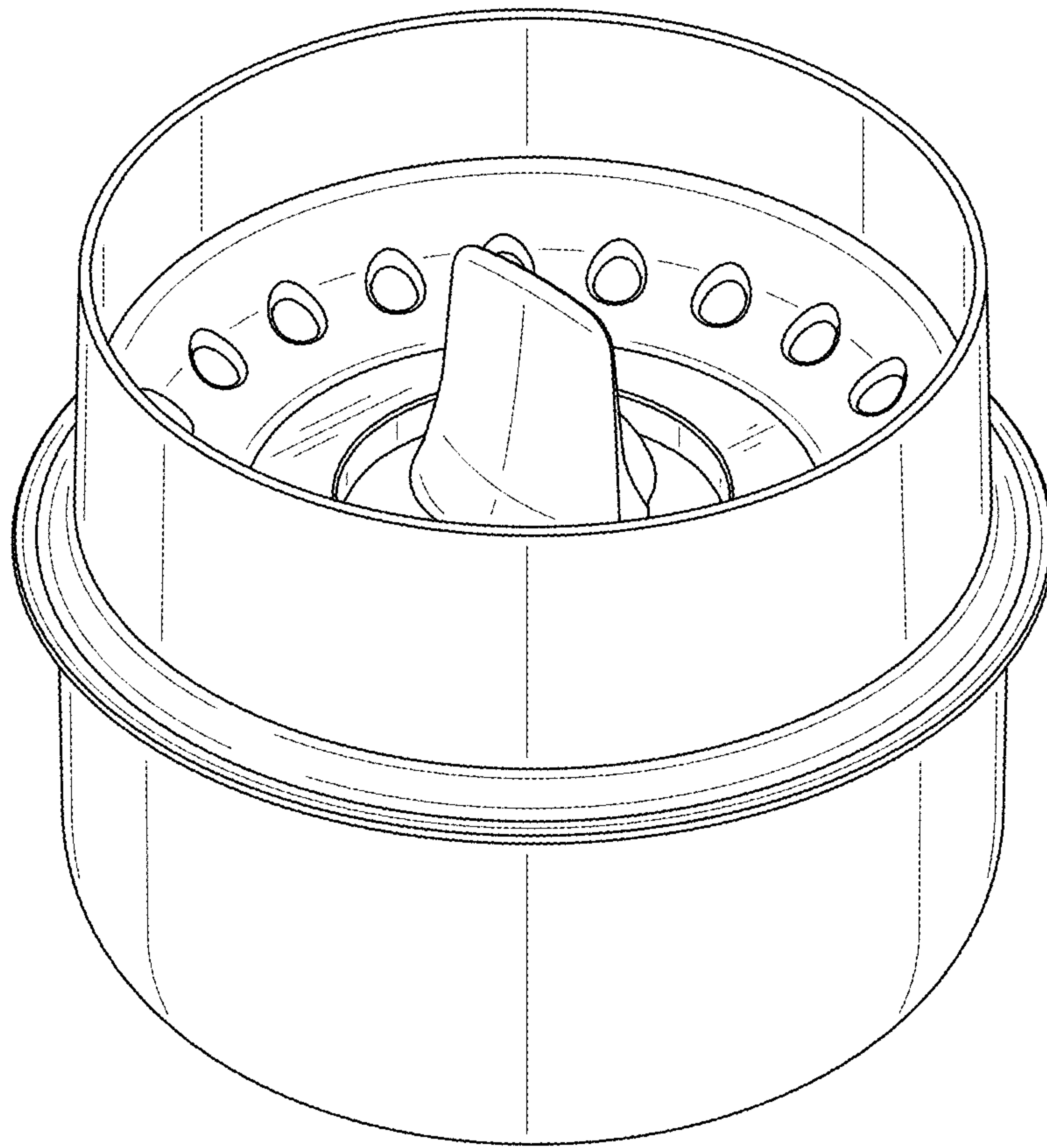


FIG. 1

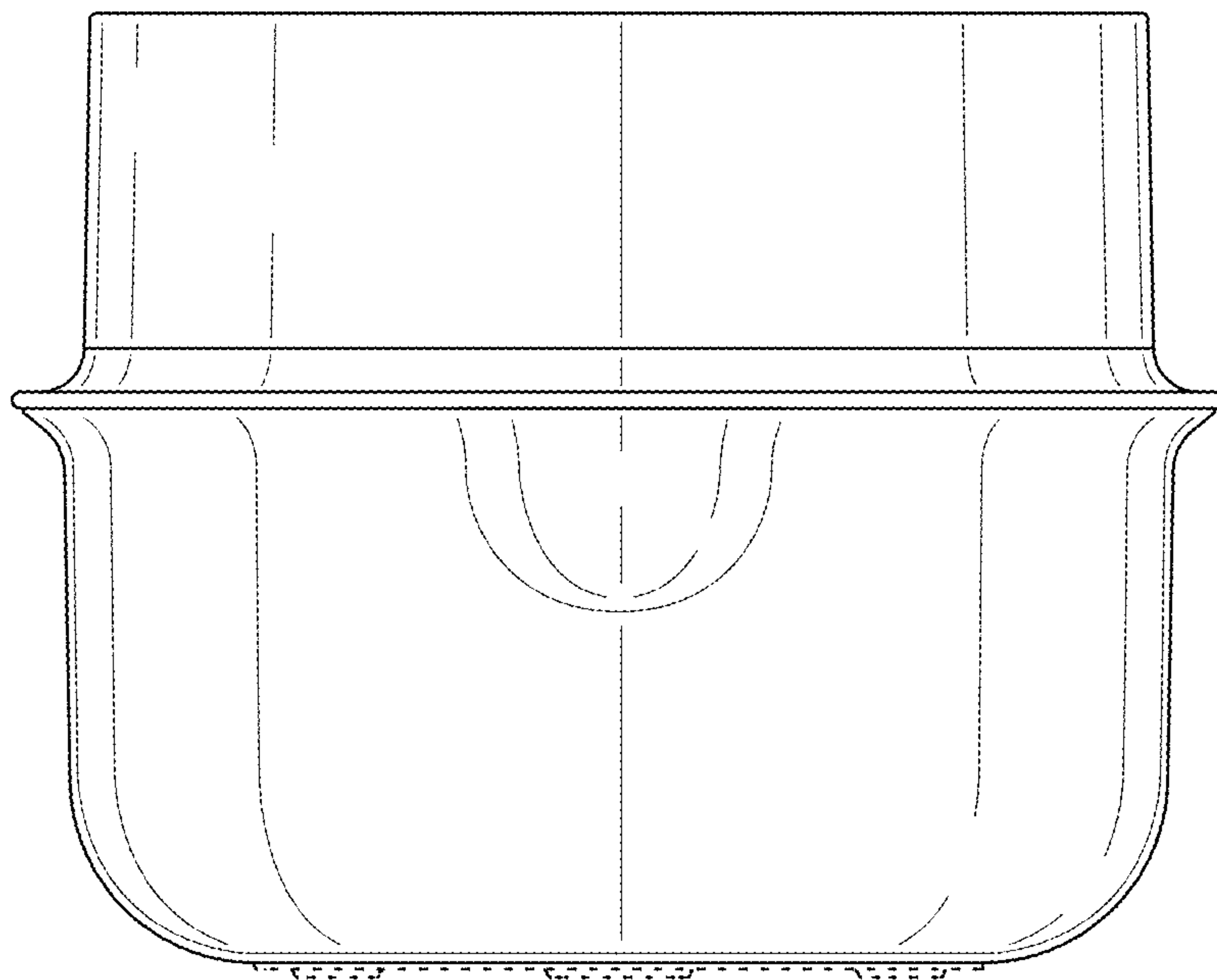


FIG. 2

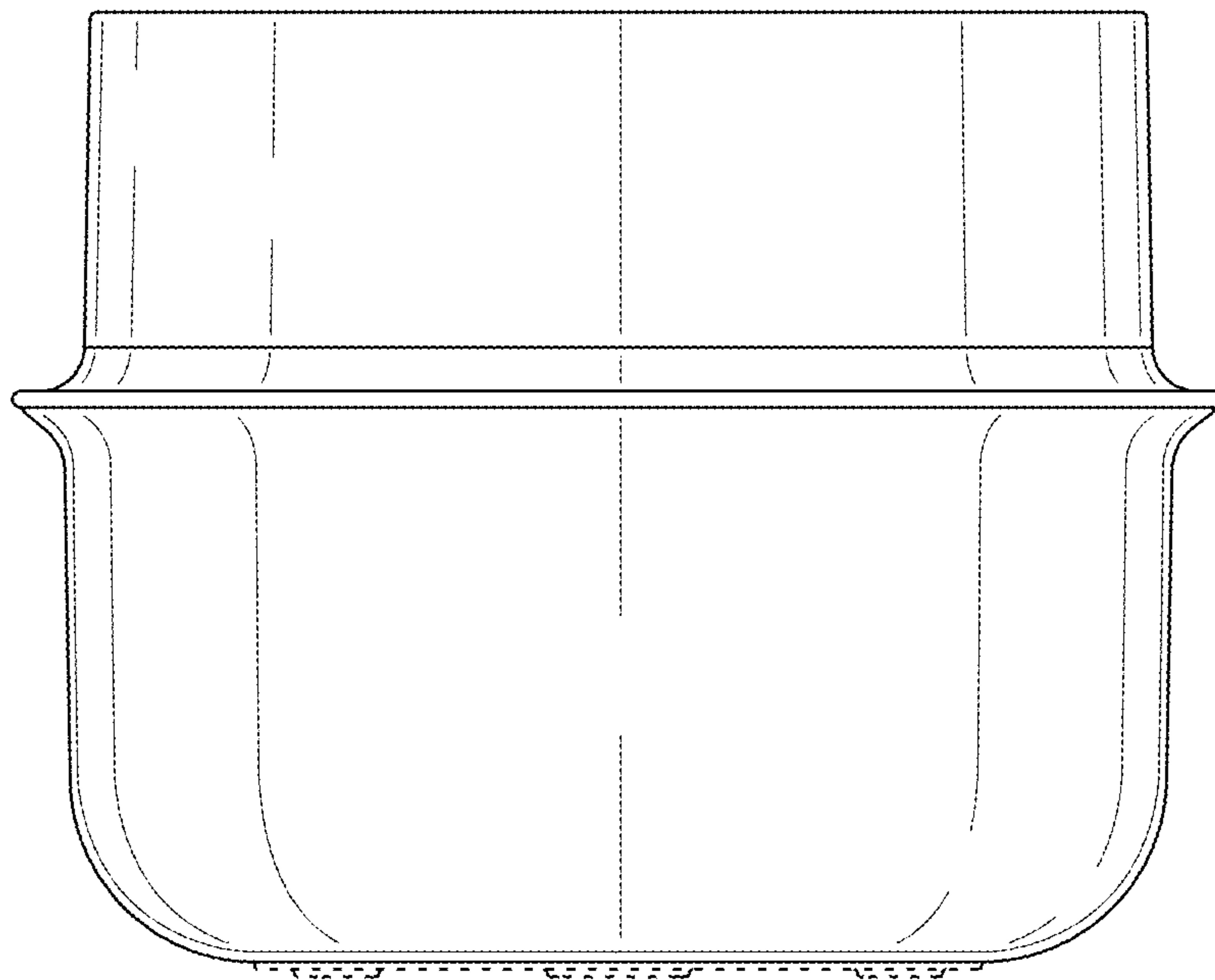


FIG. 3

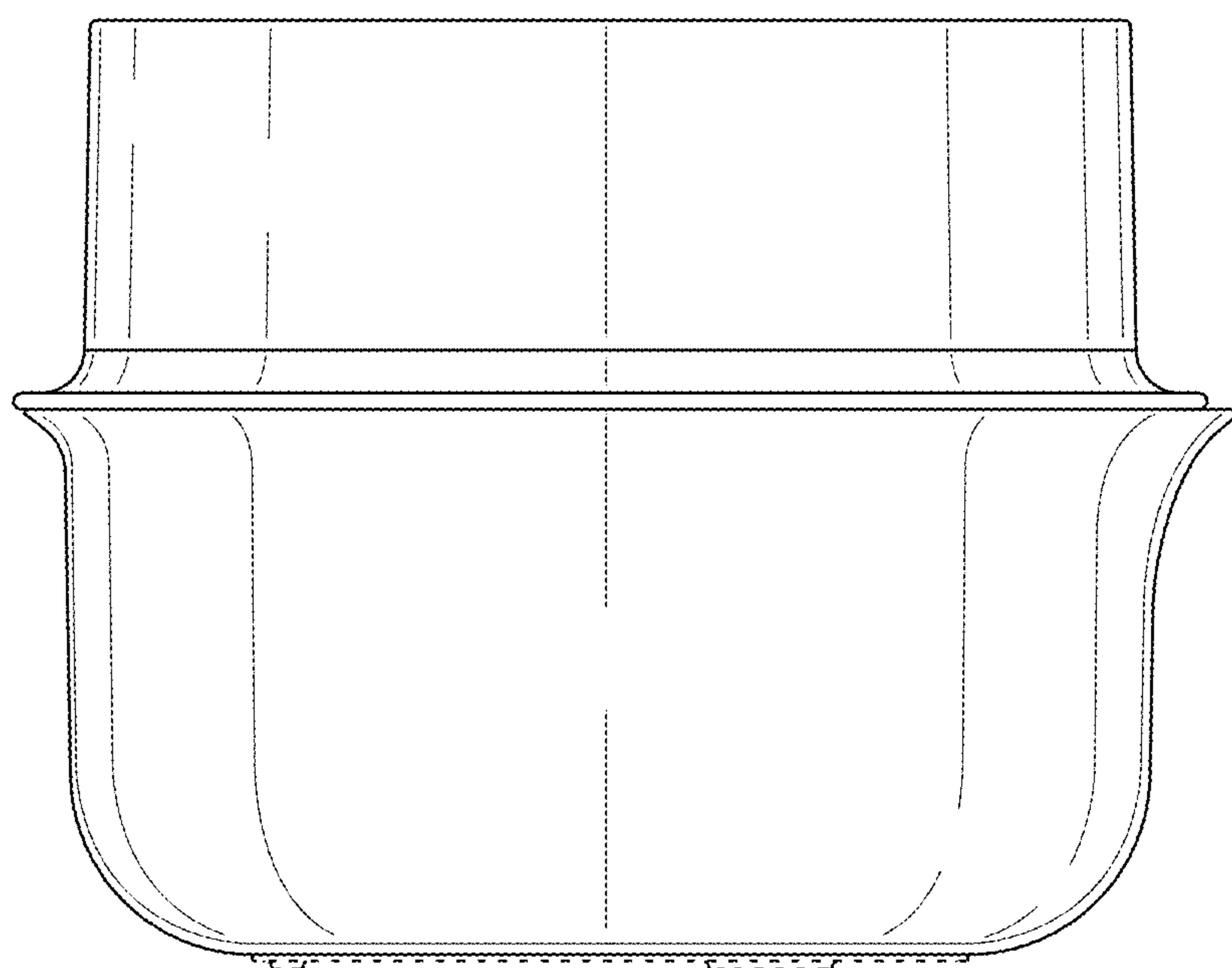


FIG. 4

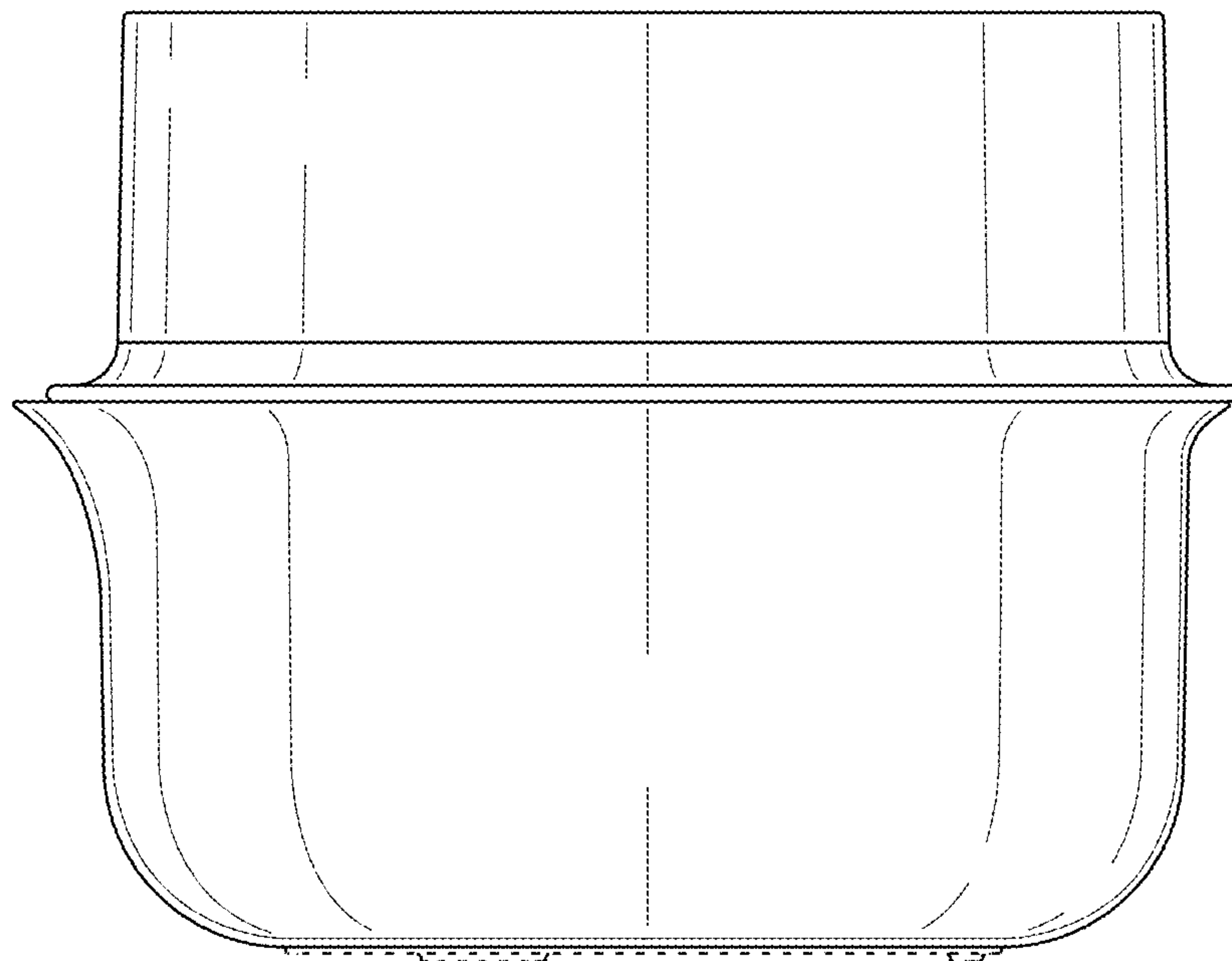


FIG. 5



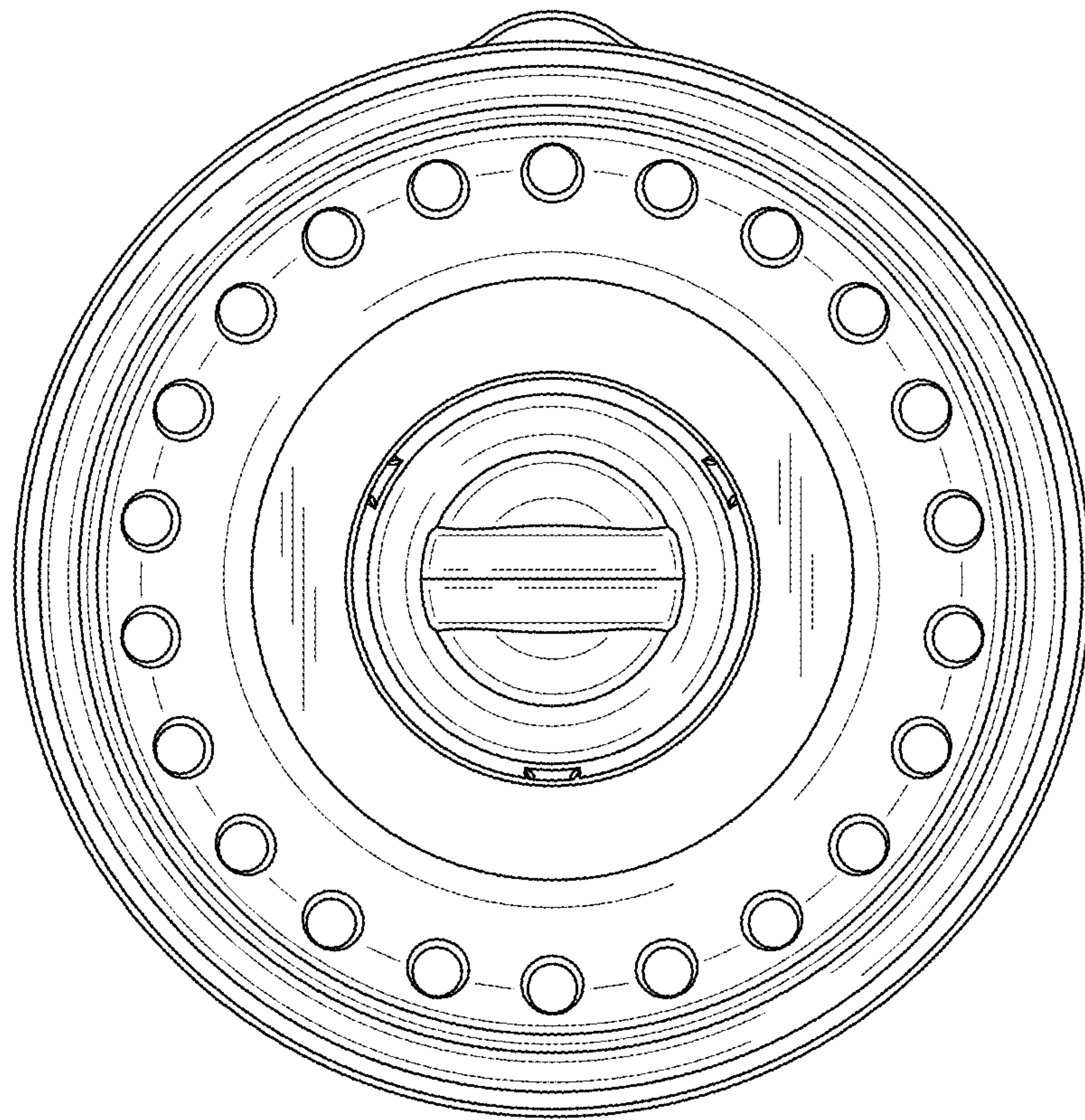


FIG. 6

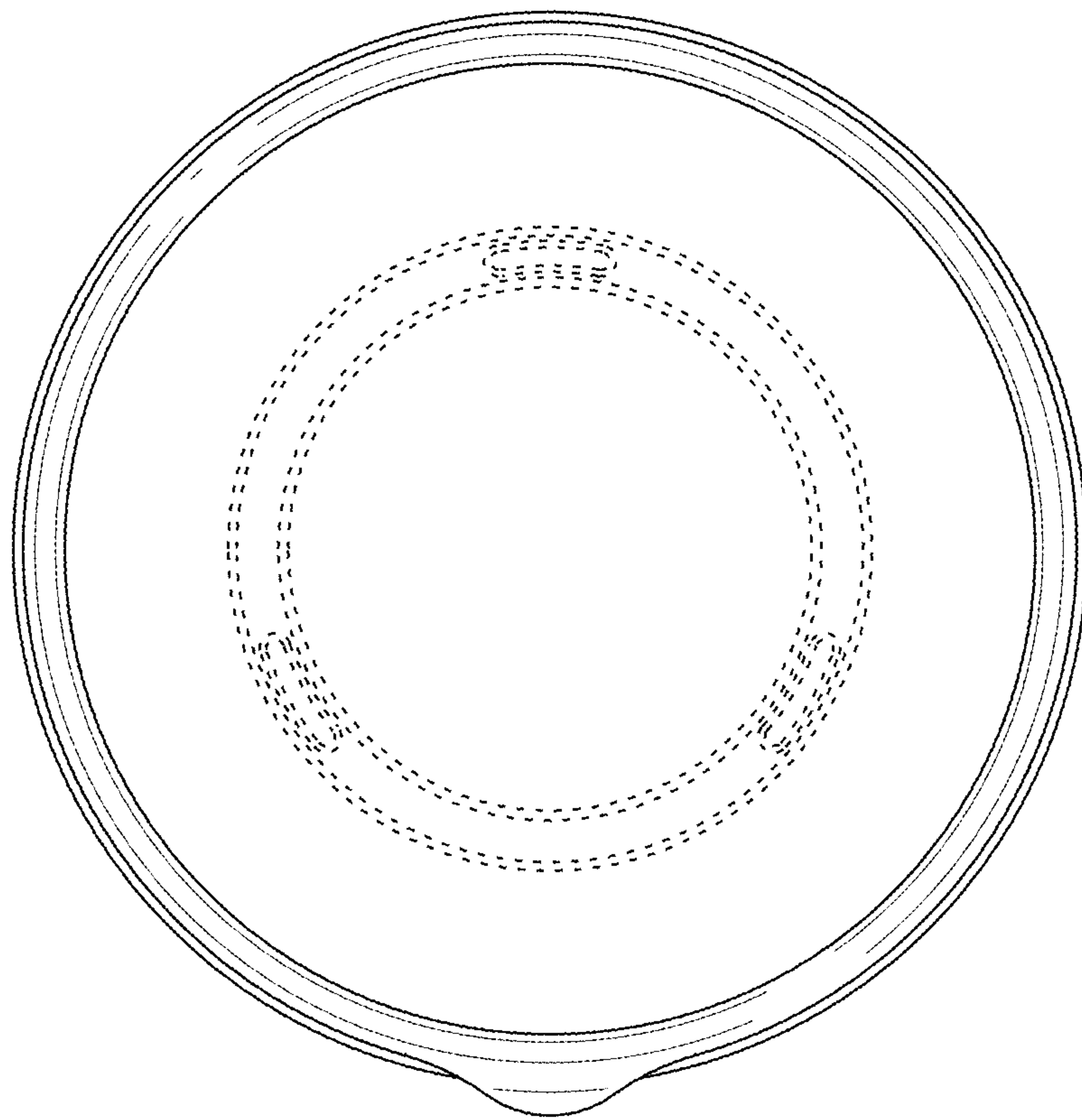


FIG. 7



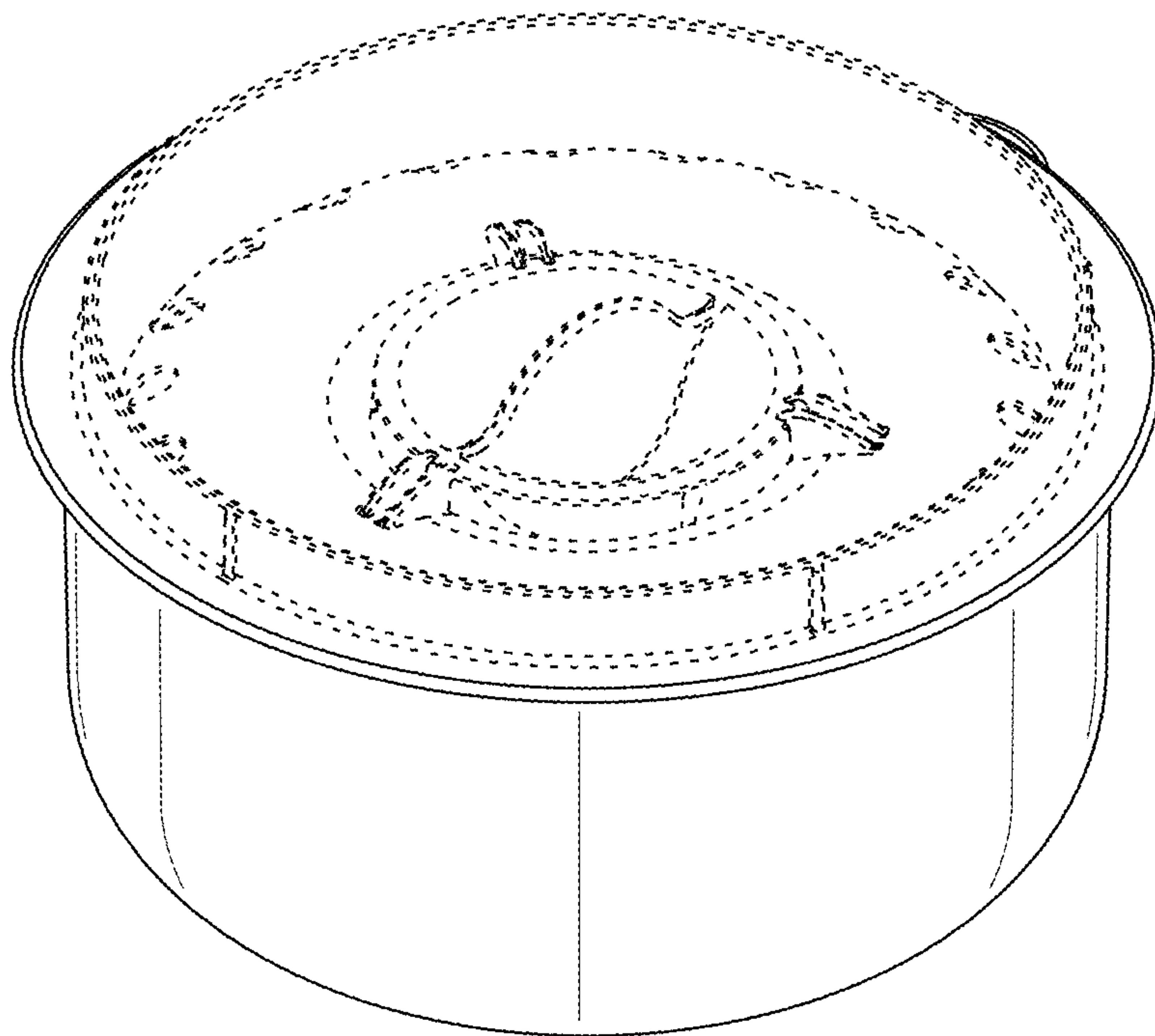


FIG. 8

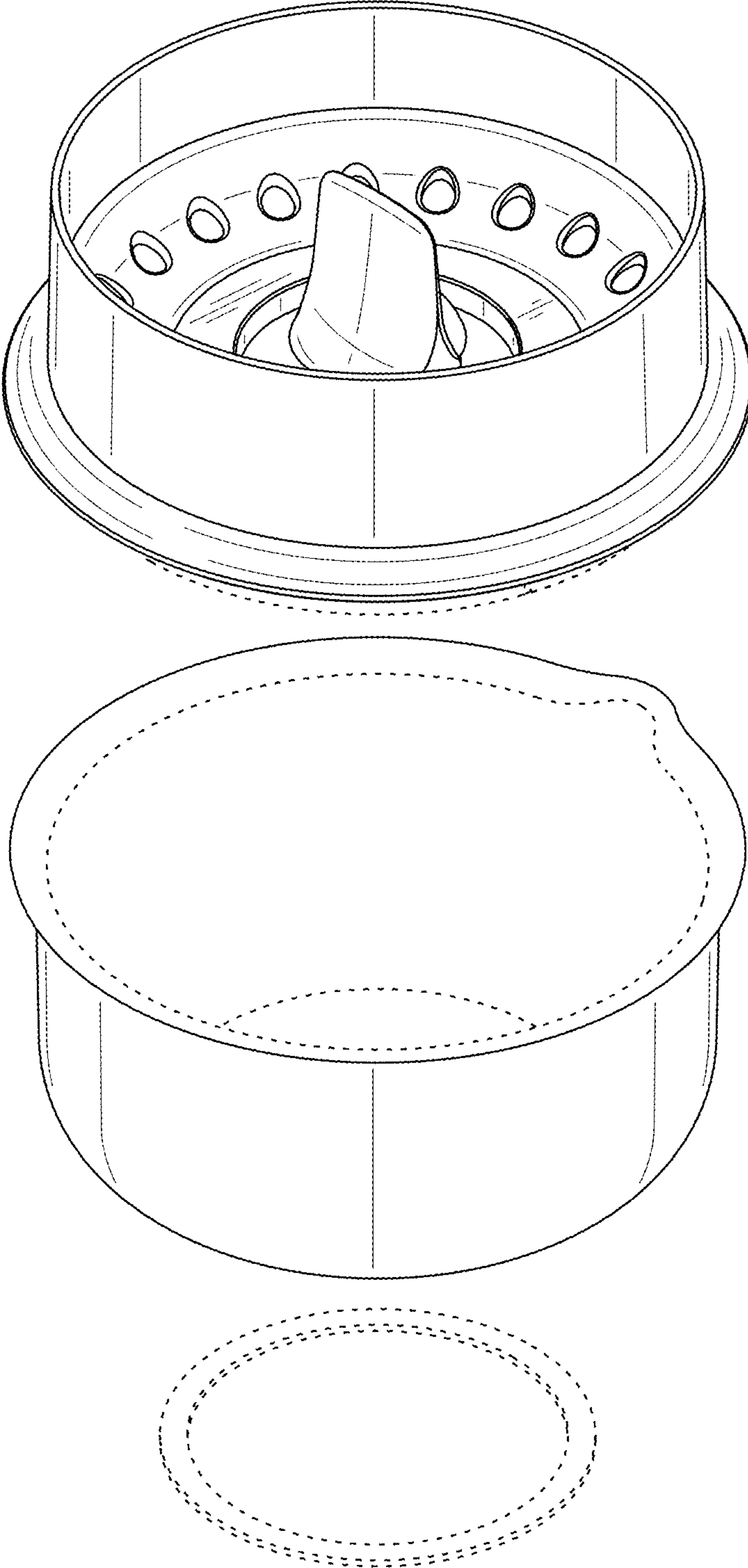


FIG. 9