



US00D852591S

(12) **United States Design Patent** (10) **Patent No.:** **US D852,591 S**
Hernandez (45) **Date of Patent:** **** Jul. 2, 2019**

(54) **MULTI-FUNCTIONAL KNIFE**
(71) Applicant: **Islay Hernandez**, Miami, FL (US)
(72) Inventor: **Islay Hernandez**, Miami, FL (US)
(**) Term: **15 Years**
(21) Appl. No.: **29/623,267**
(22) Filed: **Oct. 24, 2017**
(51) **LOC (11) Cl.** **07-03**
(52) **U.S. Cl.**
USPC **D7/649**
(58) **Field of Classification Search**
USPC D7/393-395, 401.2, 642-652, 693-696;
D8/93, 97-100, 107, 300, 321;
D22/117-118
CPC A01B 1/20; A01B 1/22; A22C 25/006;
A47G 21/06; A47G 21/065; A61B
17/3211; A61B 17/3213; B21D 53/64;
B25G 3/36; B26B 1/00; B26B 1/08;
B26B 1/10; B26B 3/00; B26B 3/02;
B26B 3/03; B26B 3/04; B26B 3/06;
B26B 5/00; B26B 5/001; B26B 5/007;
B26B 7/00; B26B 7/005; B26B 9/00;
B26B 9/02; B26B 11/00; B26B 11/006;
B26B 17/00; B26B 17/006; B26B 29/02
See application file for complete search history.

(56) **References Cited**
U.S. PATENT DOCUMENTS
D176,540 S * 1/1956 Lewis D7/649
D323,448 S * 1/1992 Salviato D7/649
D323,694 S * 2/1992 Pipes D22/118
D546,134 S * 7/2007 Leuze D7/649
D560,096 S * 1/2008 Bras D7/401.2
D602,312 S * 10/2009 Footman D7/645
D703,483 S * 4/2014 Lee D7/401.2
D770,849 S * 11/2016 de la Coussaye D7/349
D813,600 S * 3/2018 Lo D7/401.2
* cited by examiner

Primary Examiner — Ricky Pham
(74) *Attorney, Agent, or Firm* — Albert Bordas, P.A.

(57) **CLAIM**
The ornamental design for a multi-functional knife, as shown and described.

DESCRIPTION

FIG. 1 is a top plan view of a multi-functional knife;
FIG. 2 is a front elevational view thereof;
FIG. 3 is a bottom plan view thereof;
FIG. 4 is a right-side elevational view thereof;
FIG. 5 is a rear elevational view thereof;
FIG. 6 is a left-side elevational view thereof;
FIG. 7 is a bottom isometric view thereof; and,
FIG. 8 is a top isometric view thereof.

1 Claim, 3 Drawing Sheets

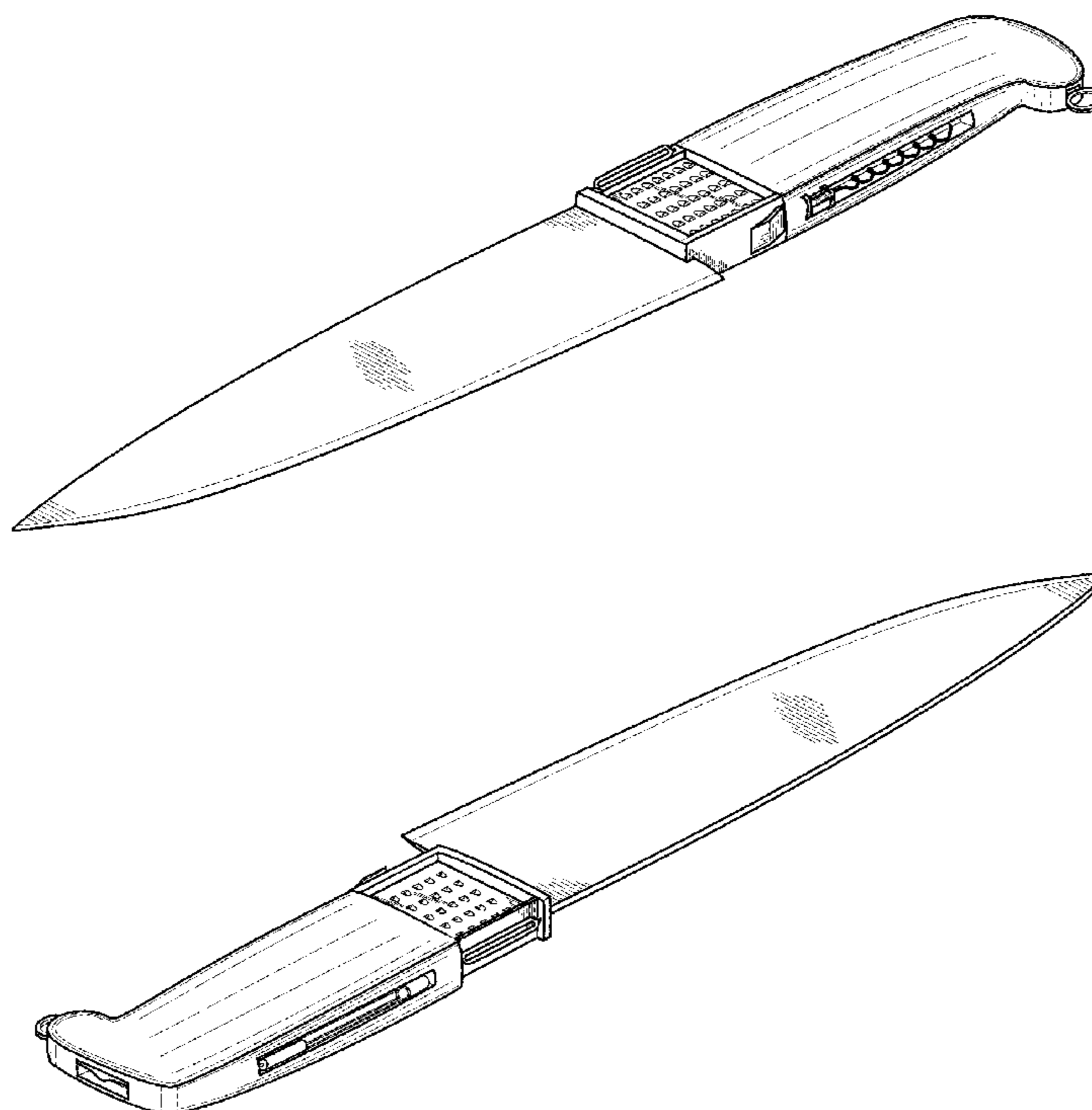




Fig. 1

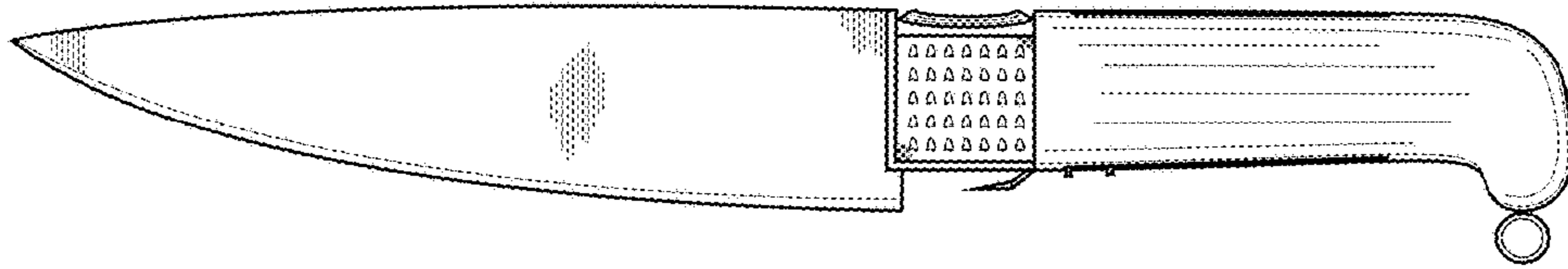


Fig. 2



Fig. 3



Fig. 4

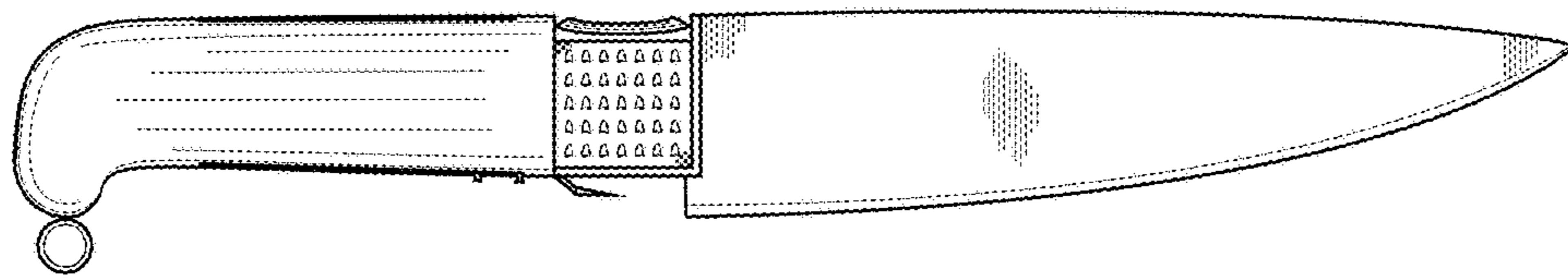


Fig. 5



Fig. 6

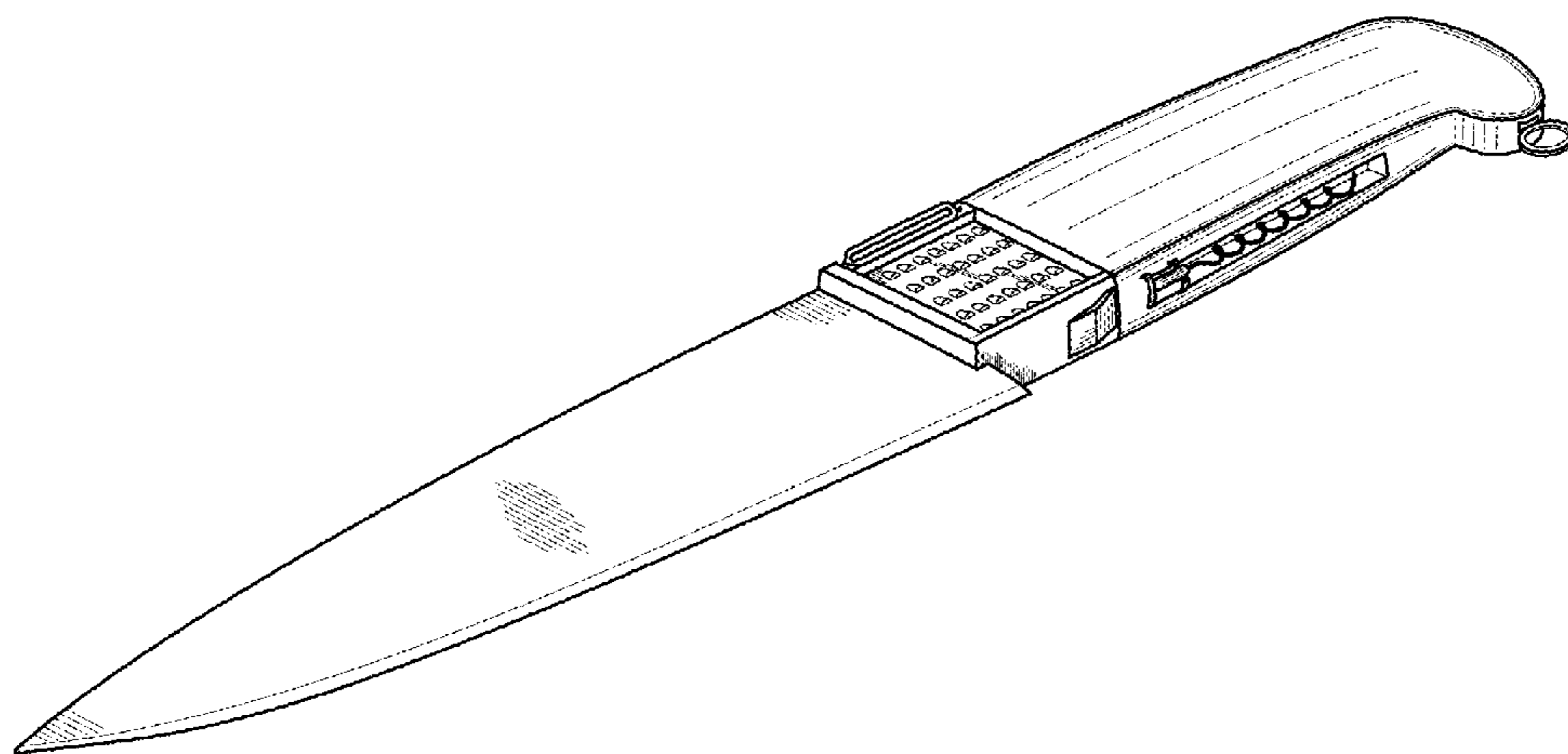


Fig. 7

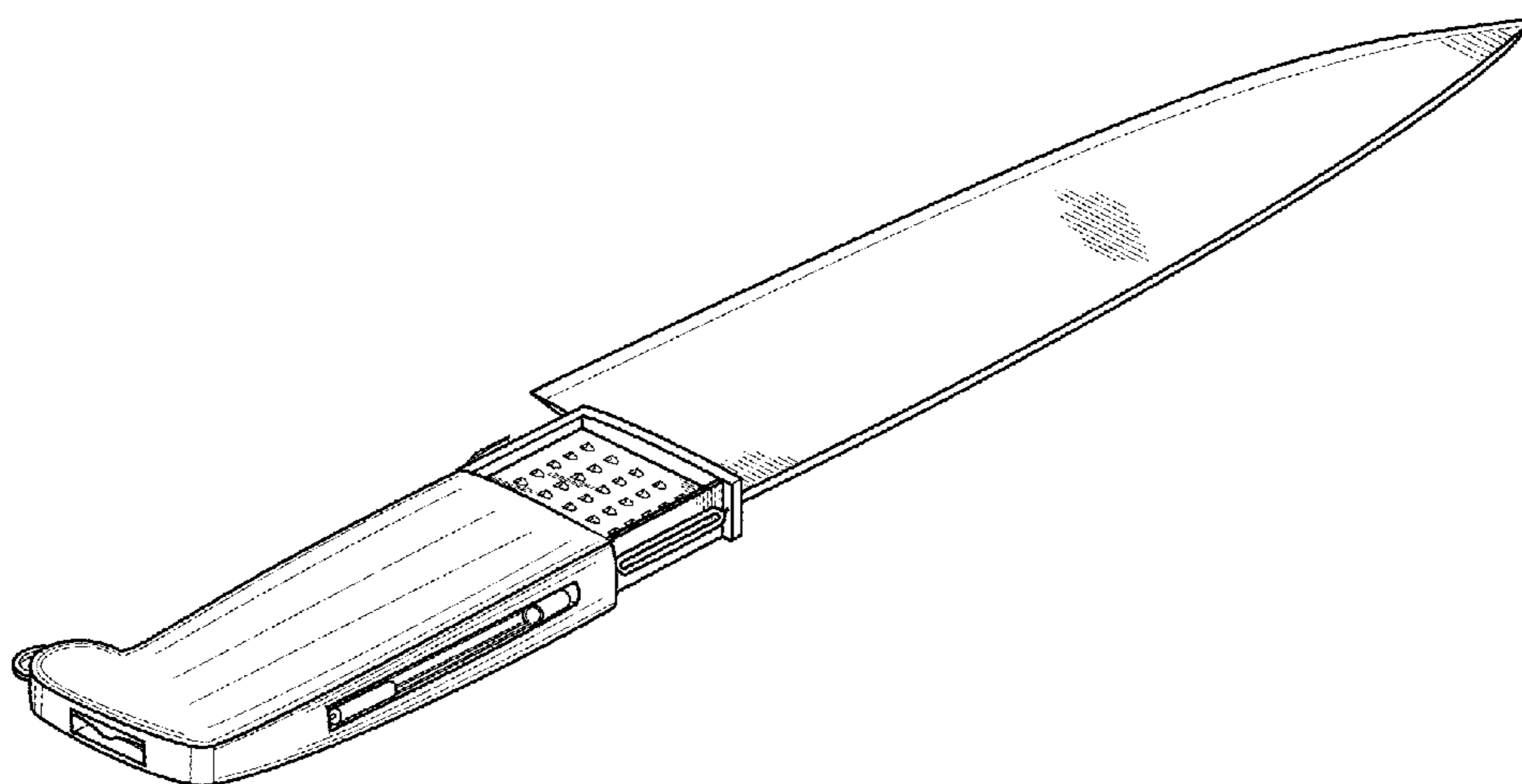


Fig. 8