



US00D852589S

(12) **United States Design Patent** (10) **Patent No.:** **US D852,589 S**  
**Bertsch** (45) **Date of Patent:** **\*\* Jul. 2, 2019**

(54) **POD**  
(71) Applicant: **Jooster IP AG**, Bielbenken BL (CH)  
(72) Inventor: **Christoph Bertsch**, Pacific Palisades, CA (US)  
(73) Assignee: **Jooster IP AG**, Bielbenken BL (CH)  
(\* ) Notice: This patent is subject to a terminal disclaimer.  
(\*\* ) Term: **15 Years**  
(21) Appl. No.: **29/609,232**  
(22) Filed: **Jun. 29, 2017**  
(51) **LOC (11) Cl.** ..... **07-99**  
(52) **U.S. Cl.**  
USPC ..... **D7/629**; D9/549  
(58) **Field of Classification Search**  
USPC ..... D7/400, 509, 511, 523, 601, 619.1, 387, D7/399, 397, 602; D11/143, 152; D9/414, 424, 428, 435, 444, 445; D34/1  
CPC ..... B65D 1/00; B65D 17/00; B65D 21/00; B65D 43/00; A47J 31/005; A47J 31/06; A47J 31/00; A47G 19/16; A47G 19/14  
See application file for complete search history.

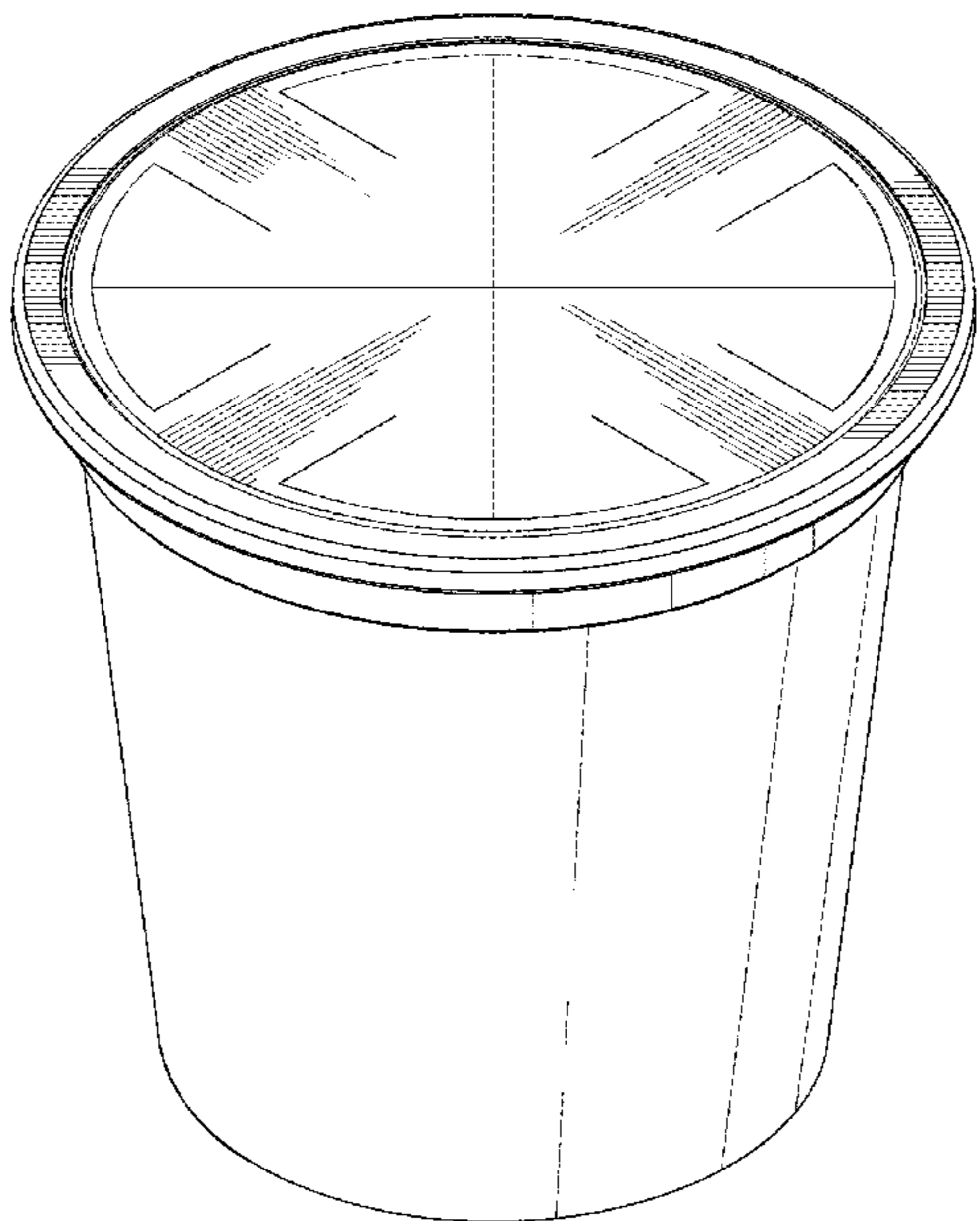
D715,649 S \* 10/2014 O'Brien ..... D9/500  
D723,868 S \* 3/2015 Hertaus ..... D7/399  
D747,139 S \* 1/2016 Rondelli ..... D7/400  
D782,876 S \* 4/2017 Rebmann ..... D7/509  
9,657,155 B2 \* 5/2017 O'Brien ..... C08K 3/34  
D798,718 S \* 10/2017 Foster ..... D9/500  
D807,662 S \* 1/2018 Veto ..... D6/520  
D815,925 S \* 4/2018 Rapparini ..... D7/630  
D823,051 S \* 7/2018 Sharma ..... D7/400  
2004/0253346 A1 \* 12/2004 Amato ..... A47G 33/002  
426/89  
2007/0251946 A1 \* 11/2007 Urquhart ..... A47J 31/005  
220/254.6  
2012/0276264 A1 \* 11/2012 Rivera ..... A47J 31/0689  
426/433  
2013/0220142 A1 \* 8/2013 Tremblay ..... A47J 31/005  
99/323  
2015/0088097 A1 \* 3/2015 Matthews ..... A61J 7/0046  
604/514  
2017/0101236 A1 \* 4/2017 Buck ..... A47G 21/18

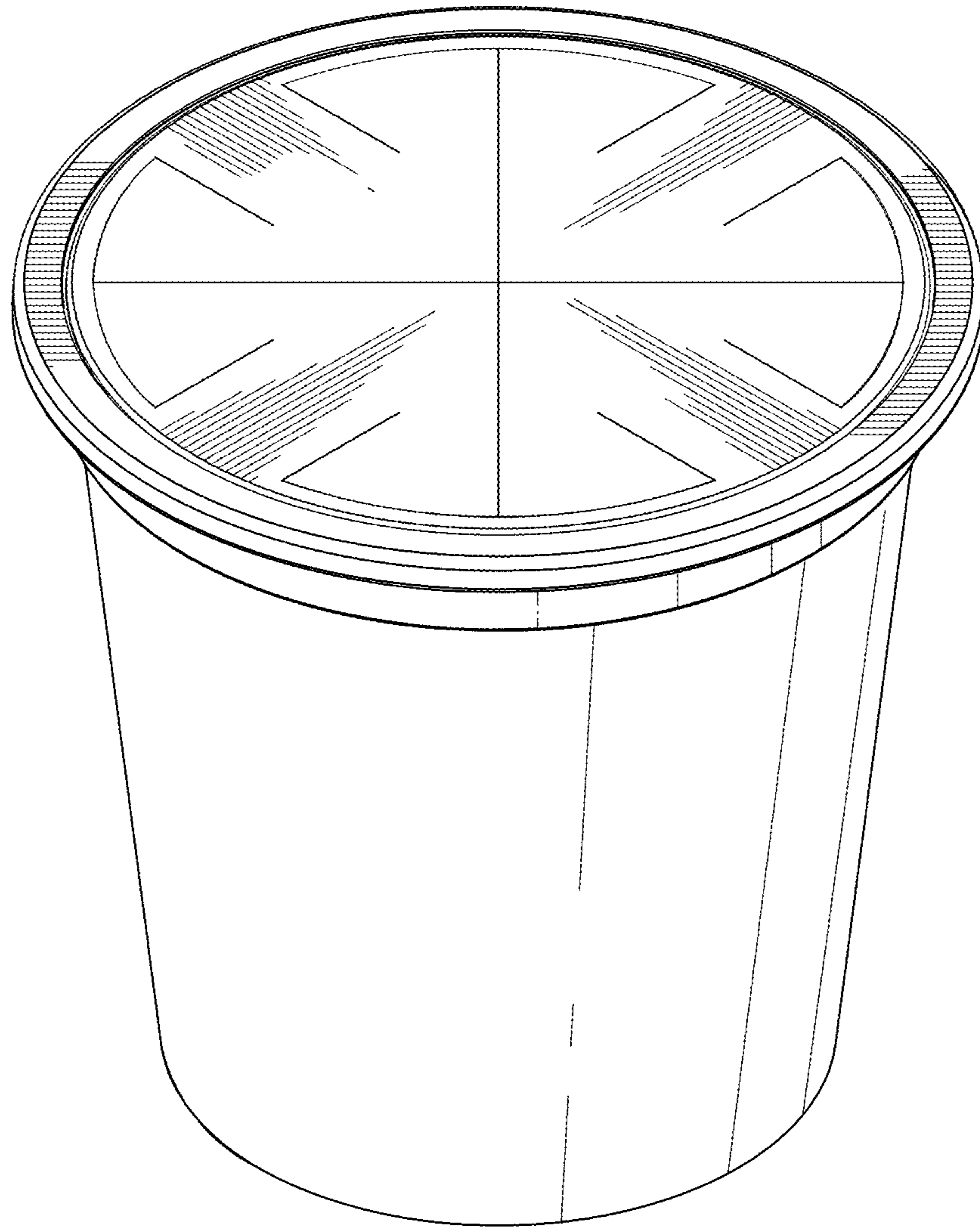
\* cited by examiner  
*Primary Examiner* — Derrick Holland  
*Assistant Examiner* — Andrew Kerr  
(74) *Attorney, Agent, or Firm* — SoCal IP Law Group LLP; Nikki M. Dossman

(57) **CLAIM**  
The ornamental design for a pod, as shown and described.

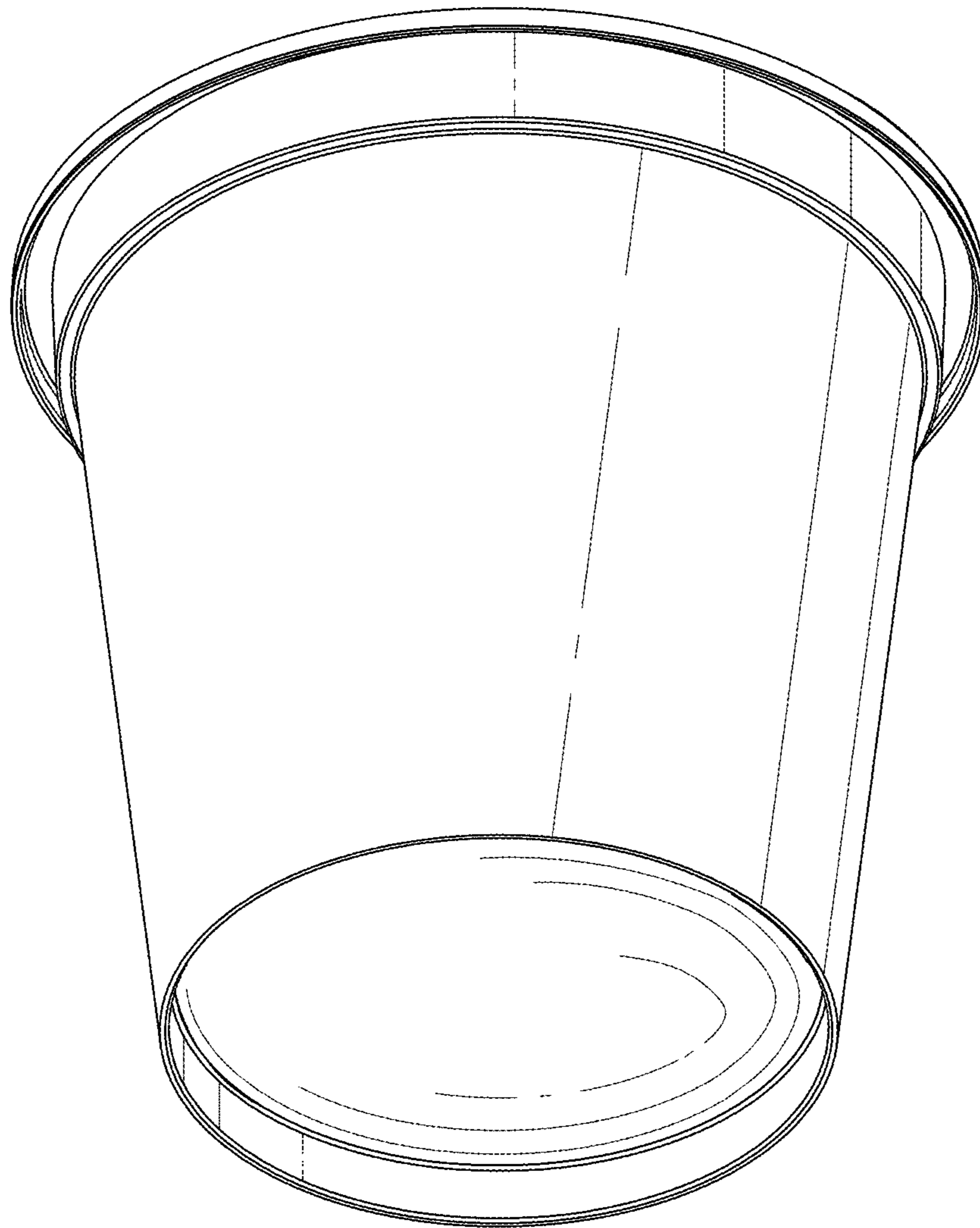
(56) **References Cited**  
U.S. PATENT DOCUMENTS  
D352,210 S \* 11/1994 Cousins ..... D7/612  
D606,363 S \* 12/2009 Aardenburg ..... D7/400  
D614,080 S \* 4/2010 Woerner ..... D11/152  
D694,579 S \* 12/2013 Khubani ..... D7/400  
D695,110 S \* 12/2013 Houlton ..... D9/500  
D700,475 S \* 3/2014 Avigdor ..... D7/400  
D710,686 S \* 8/2014 Gowens ..... D9/429

**DESCRIPTION**  
FIG. 1 is a top perspective view of a pod, showing our new design;  
FIG. 2 is a bottom perspective view thereof;  
FIG. 3 is a side view of the pod thereof;  
FIG. 4 is a top view of the pod thereof; and,  
FIG. 5 is a bottom view of the pod thereof.  
**1 Claim, 4 Drawing Sheets**

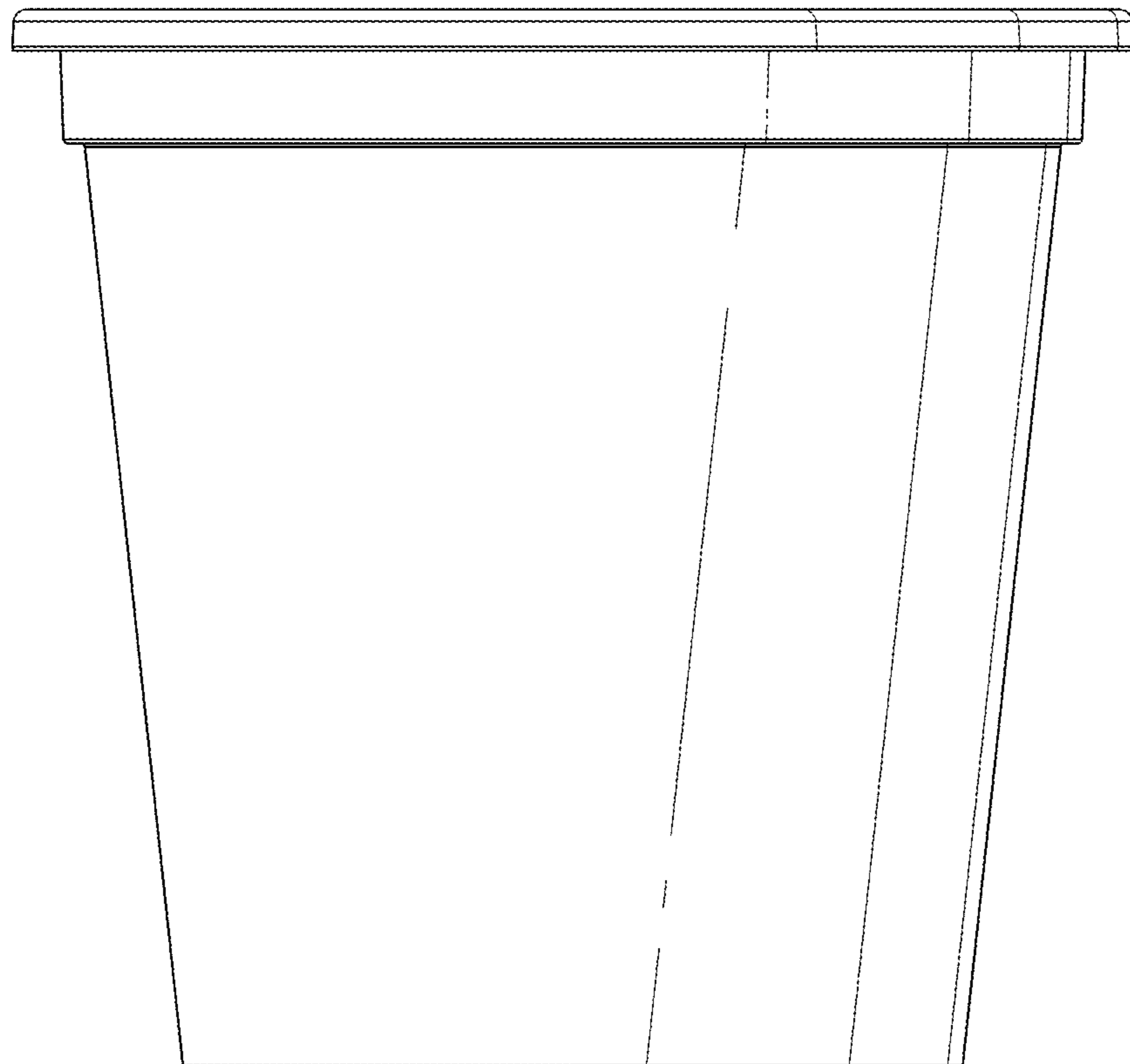




*FIG. 1*



*FIG. 2*



*FIG. 3*

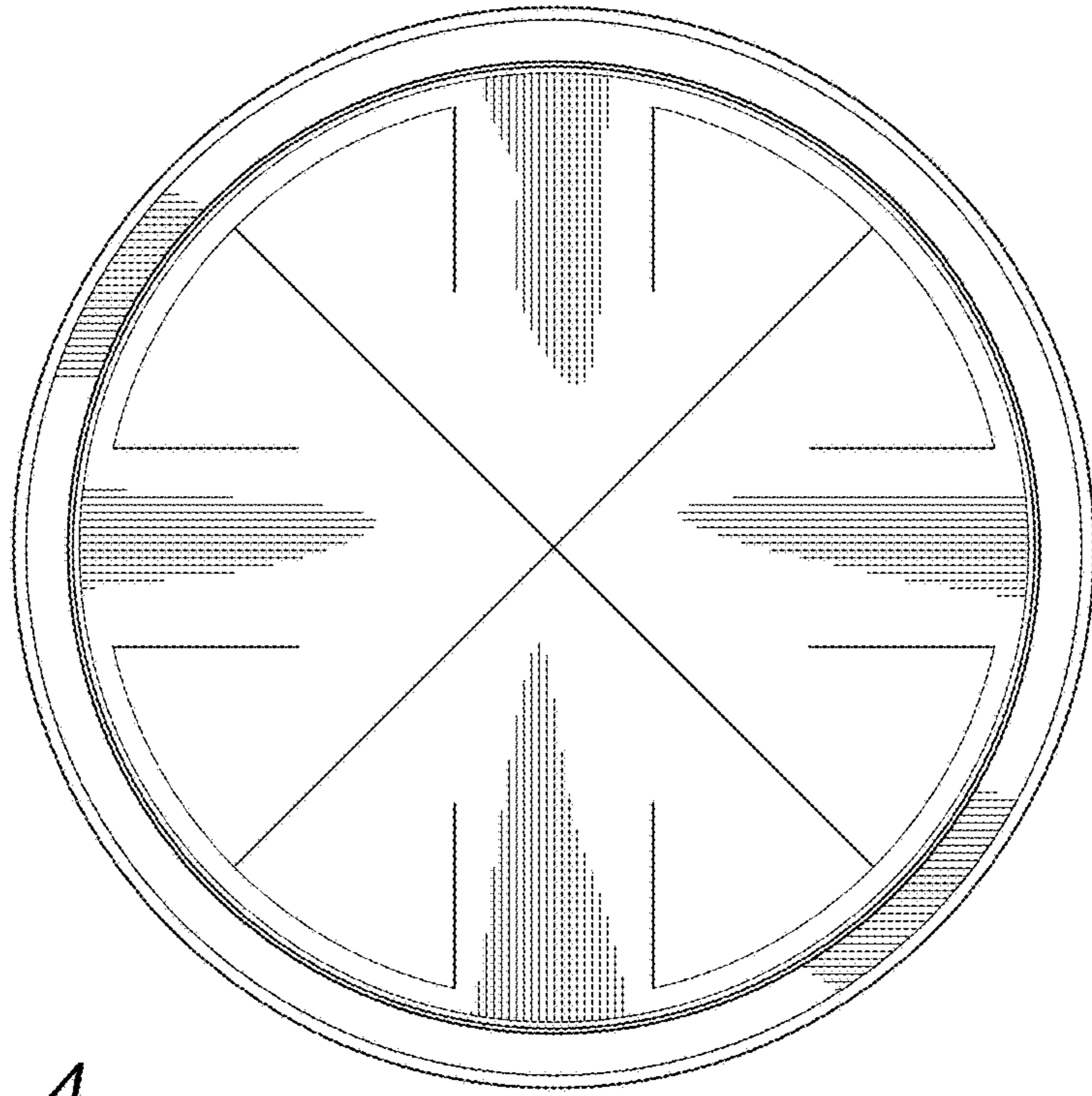


FIG. 4

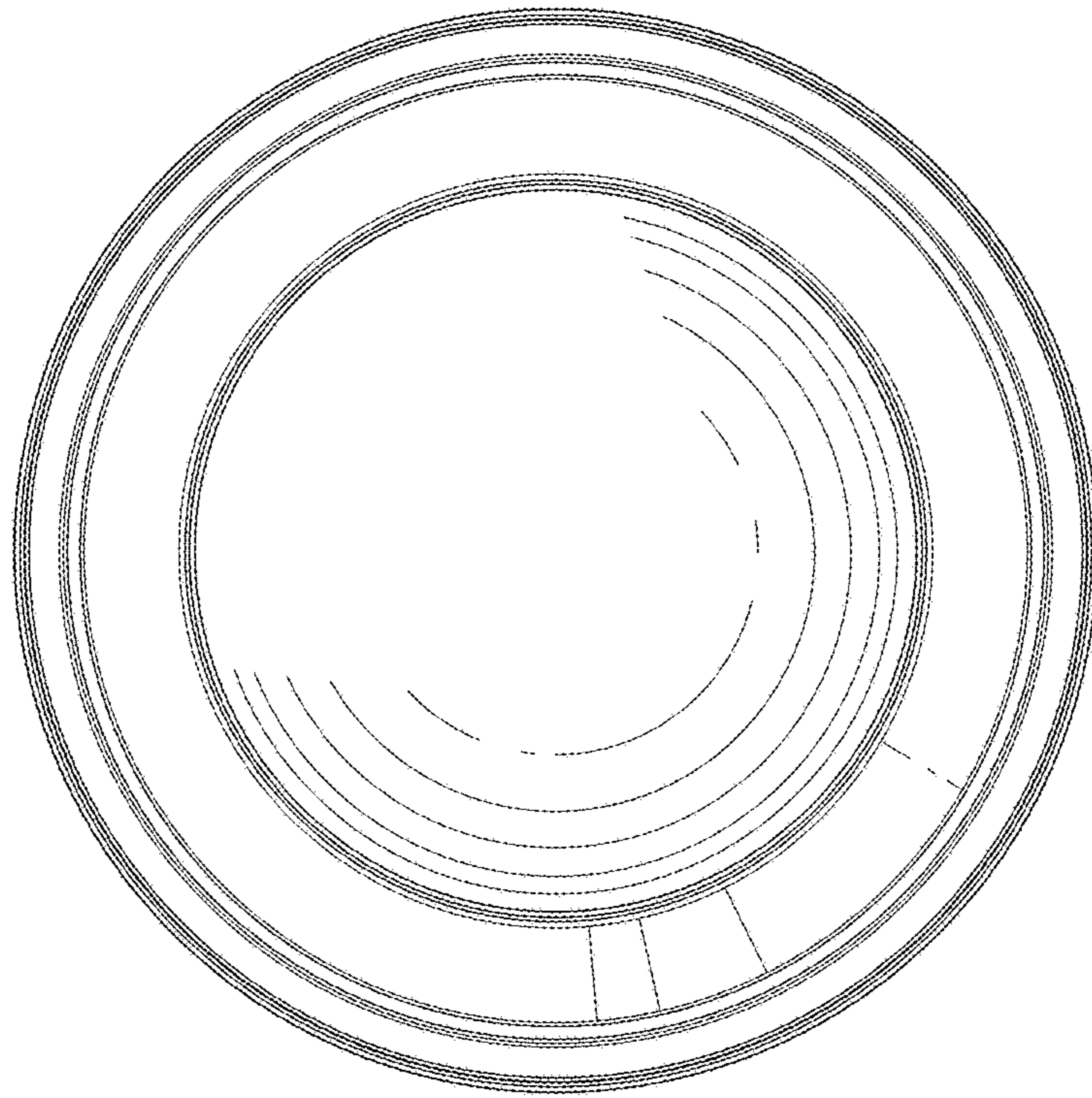


FIG. 5