

US00D852586S

(12) **United States Design Patent**  
**Zemel**

(10) **Patent No.:** **US D852,586 S**

(45) **Date of Patent:** **\*\* Jul. 2, 2019**

(54) **CONDIMENT CADDY**

(71) Applicant: **Mr. Bar-B-Q Products LLC**, Melville, NY (US)

(72) Inventor: **Marc Zemel**, Melville, NY (US)

(73) Assignee: **MR. BAR-B-Q PRODUCTS LLC**, Melville, NY (US)

(\*\*) Term: **15 Years**

(21) Appl. No.: **29/638,965**

(22) Filed: **Mar. 2, 2018**

(51) **LOC (11) Cl.** ..... **07-99**

(52) **U.S. Cl.**  
USPC ..... **D7/600.1**

(58) **Field of Classification Search**  
USPC ..... D7/602, 704-705, 707, 590, 592-597, D7/600.1-600.2, 630-632, 635, 640; D6/524-525, 537, 546, 556, 566, 677.2, D6/692.4-692.5, 696.3, 520, 534-535; 211/30, 106, 106.01, 181.1; D9/681, 761, D9/741, 747, 737-739, 751, 756-758; D3/306, 292, 294-296, 905; 206/8, 202, 206/513; 248/146; 312/330.1; 62/440  
CPC .. A47F 5/01; A47F 5/02; A47F 7/0064; A47L 19/04; F16M 11/00; A47K 3/281; A47K 1/09; A47B 55/02; A47B 88/90; A47B 88/40; A47G 21/001; A47J 47/02; A47J 47/06; A47J 47/10

See application file for complete search history.

(56) **References Cited**

**U.S. PATENT DOCUMENTS**

D103,916 S \* 3/1937 Scurlock ..... 249/120  
2,522,768 A \* 9/1950 Wiepert ..... A45C 1/10  
206/0.81  
2,796,742 A \* 6/1957 Platt ..... F25C 1/24  
249/127

D270,222 S \* 8/1983 Parmley ..... D3/311  
D371,729 S \* 7/1996 White ..... D7/600.1  
D436,730 S \* 1/2001 Dembicks ..... D3/313  
D437,116 S \* 2/2001 Dembicks ..... D3/313  
D451,676 S \* 12/2001 Dembicks ..... D3/313

(Continued)

**OTHER PUBLICATIONS**

Cool Tek Caddy, Mr. Bar-B-Q, mrbarbq.com, published by Mr. Bar-B-Q, date not listed © 2017 Mr. Bar-B-Q Products LLC, online, site visited Dec. 31, 2018. Available from Internet, URL: <https://mrbarbq.com/product/cool-tek-caddy/> (Year: 2018).\*

(Continued)

*Primary Examiner* — Shannon W Morgan

*Assistant Examiner* — Altaira J Swangin

(74) *Attorney, Agent, or Firm* — Carter, DeLuca & Farrell LLP

(57) **CLAIM**

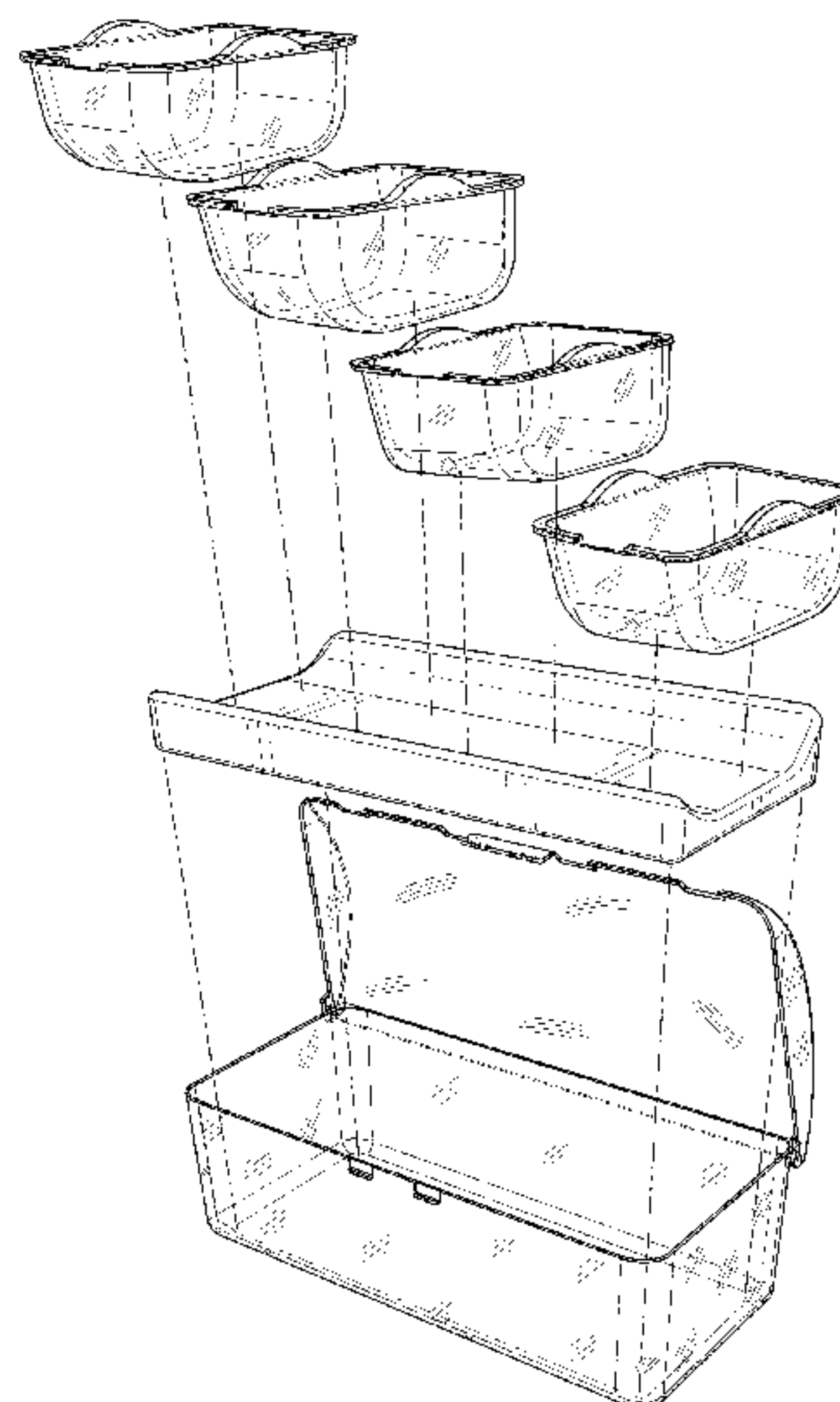
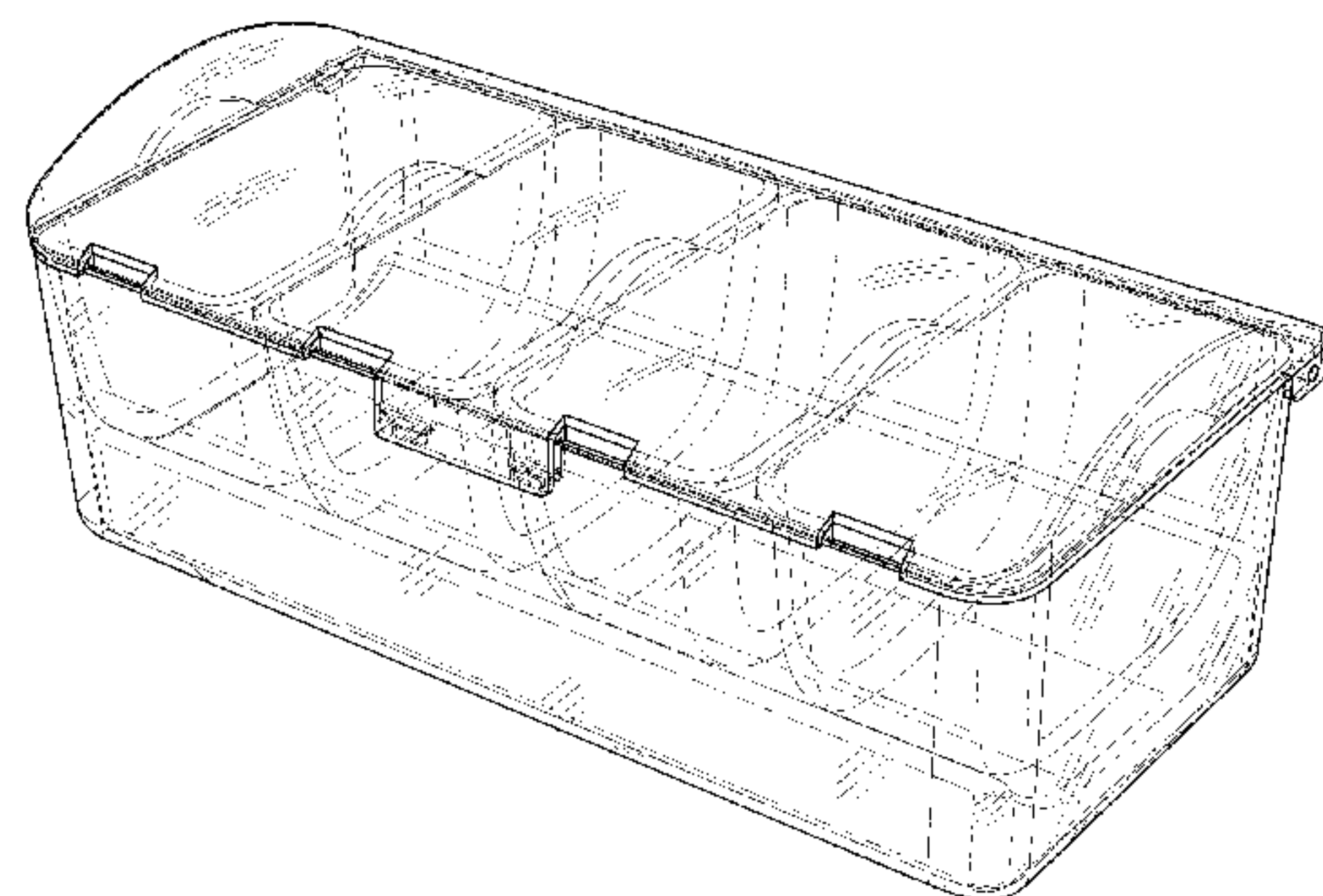
The ornamental design for a condiment caddy, as shown and described.

**DESCRIPTION**

FIG. 1 is a top, front, right perspective view of a condiment caddy in accordance with the present design; FIG. 2 is a left side elevational view thereof; FIG. 3 is a right side elevational view thereof; FIG. 4 is a front elevational view thereof; FIG. 5 is a rear elevational view thereof; FIG. 6 is a top plan view thereof; FIG. 7 is a bottom plan view thereof; and, FIG. 8 is a front, right exploded perspective view of the condiment caddy of FIG. 1, in order to show aspects of the design not otherwise apparent.

The dash-dot broken lines, shown in FIG. 8, indicate the path along which the internal sections have been exploded from the exterior section and form no part of the claimed design.

**1 Claim, 7 Drawing Sheets**



(56)

**References Cited**

U.S. PATENT DOCUMENTS

6,490,774 B2 \* 12/2002 Carter ..... G07G 1/0027  
 29/401.1  
 D482,870 S \* 12/2003 Veazey ..... D3/270  
 D559,613 S \* 1/2008 DeMirjian, III ..... D7/357  
 D657,199 S \* 4/2012 Chen ..... D7/600.1  
 D705,610 S \* 5/2014 Pierce ..... D7/590  
 D707,982 S \* 7/2014 Chin ..... D6/601  
 D713,196 S \* 9/2014 Sarnoff ..... D7/357  
 D748,931 S \* 2/2016 Corigliano ..... D6/601  
 D769,026 S \* 10/2016 Weiss ..... D6/596  
 D804,177 S \* 12/2017 Zemel ..... D3/295  
 D807,973 S \* 1/2018 Leonardo ..... D21/686  
 D809,825 S \* 2/2018 Clores ..... D6/601  
 D824,253 S \* 7/2018 Mayer ..... D9/432  
 D828,028 S \* 9/2018 Seiders ..... D3/294  
 D828,029 S \* 9/2018 Seiders ..... D3/294  
 2008/0138477 A1 \* 6/2008 Mular ..... A47J 47/10  
 426/392  
 2013/0019631 A1 \* 1/2013 Luft ..... A47J 47/01  
 62/440

2014/0082847 A1 \* 3/2014 Thomas ..... A47D 5/00  
 5/655  
 2014/0082848 A1 \* 3/2014 Fort ..... A47D 15/008  
 5/655  
 2015/0359355 A1 \* 12/2015 Rushing ..... A47D 5/00  
 5/655  
 2017/0172352 A1 \* 6/2017 Bokma de Boer ..... A47J 47/10  
 2018/0251263 A1 \* 9/2018 Shamp ..... B65D 25/20

OTHER PUBLICATIONS

Plastic Condiment Caddy CH03, Carlisle, carlislefsp.com, Bar Supplies 2017 product catalog published by Carlisle on Jan. 10, 2017 © 2018 Carlisle Food Service Products, Inc., online, site visited Dec. 31, 2018. Available from Internet, URL: <https://www.carlislefsp.com/library?term=caddies> (Year: 2017).\*

Condiment Caddy CH03, Carlisle, carlislefsp.com, published by Carlisle per wayback machine on Oct. 26, 2017 © 2018 Carlisle Food Service Products, Inc., online, site visited Dec. 31, 2018. Available from Internet, URL: <https://web.archive.org/web/20161027185352/https://www.carlislefsp.com/bar> . . . (Year: 2017).\*

\* cited by examiner



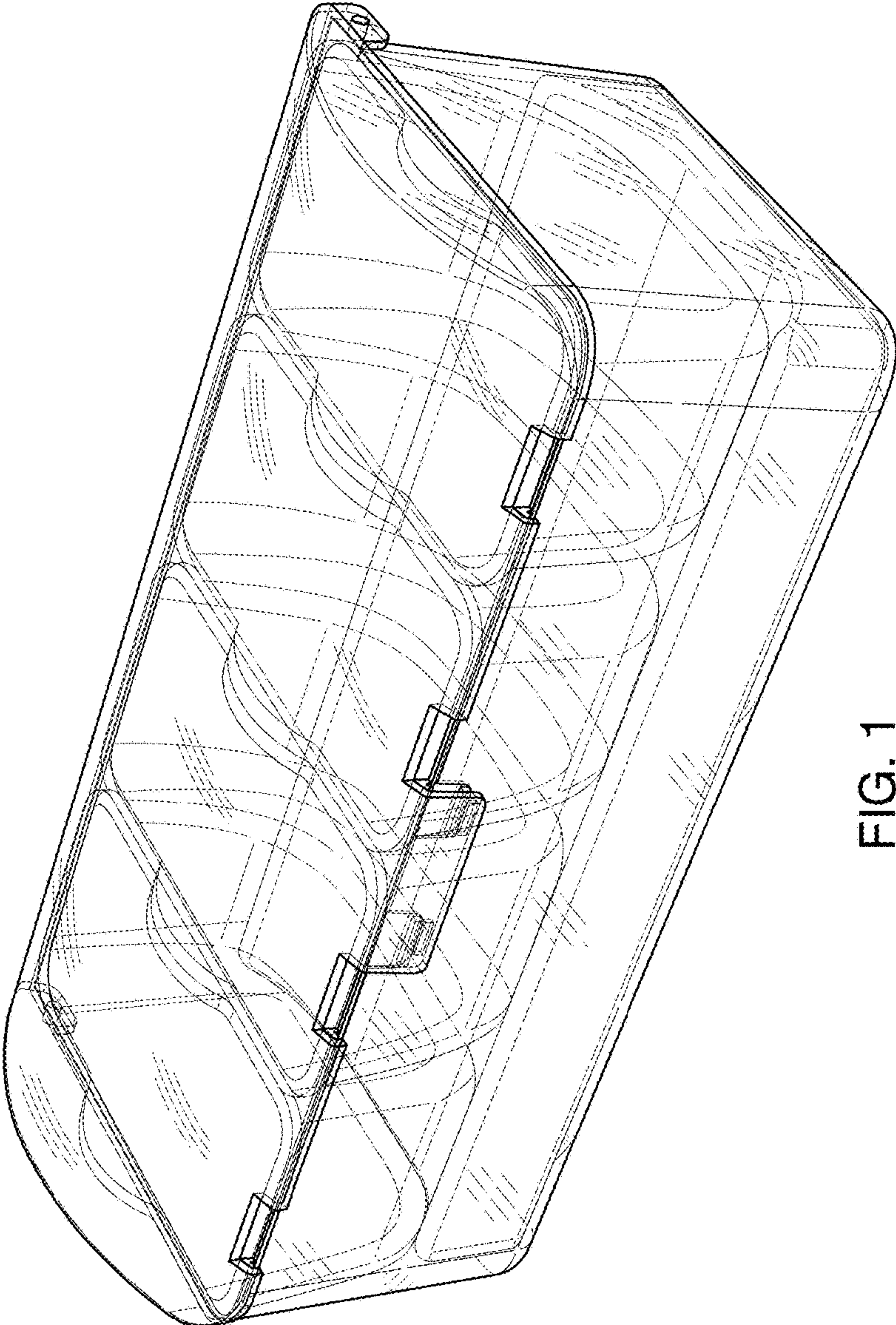


FIG. 1

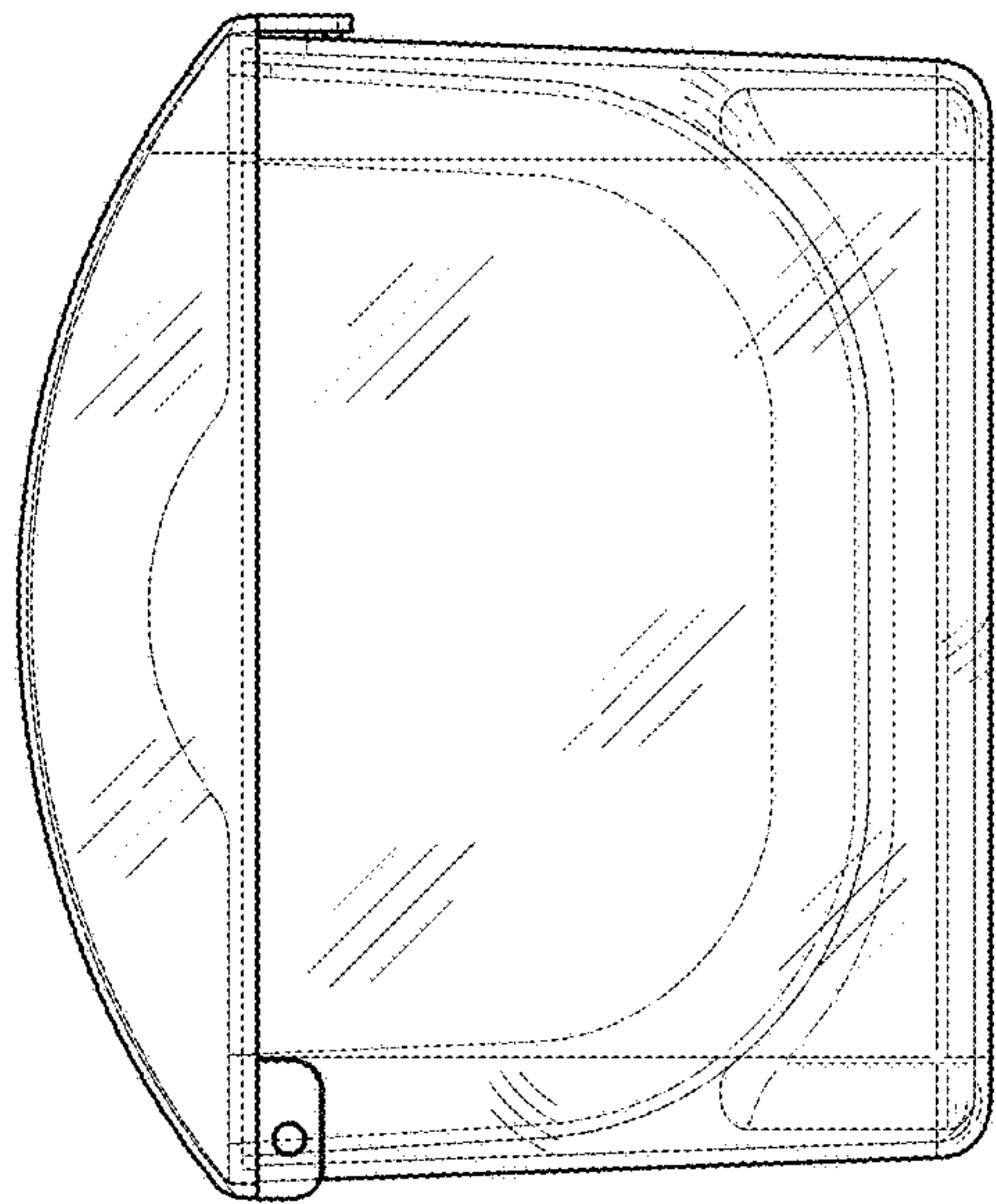


FIG. 2

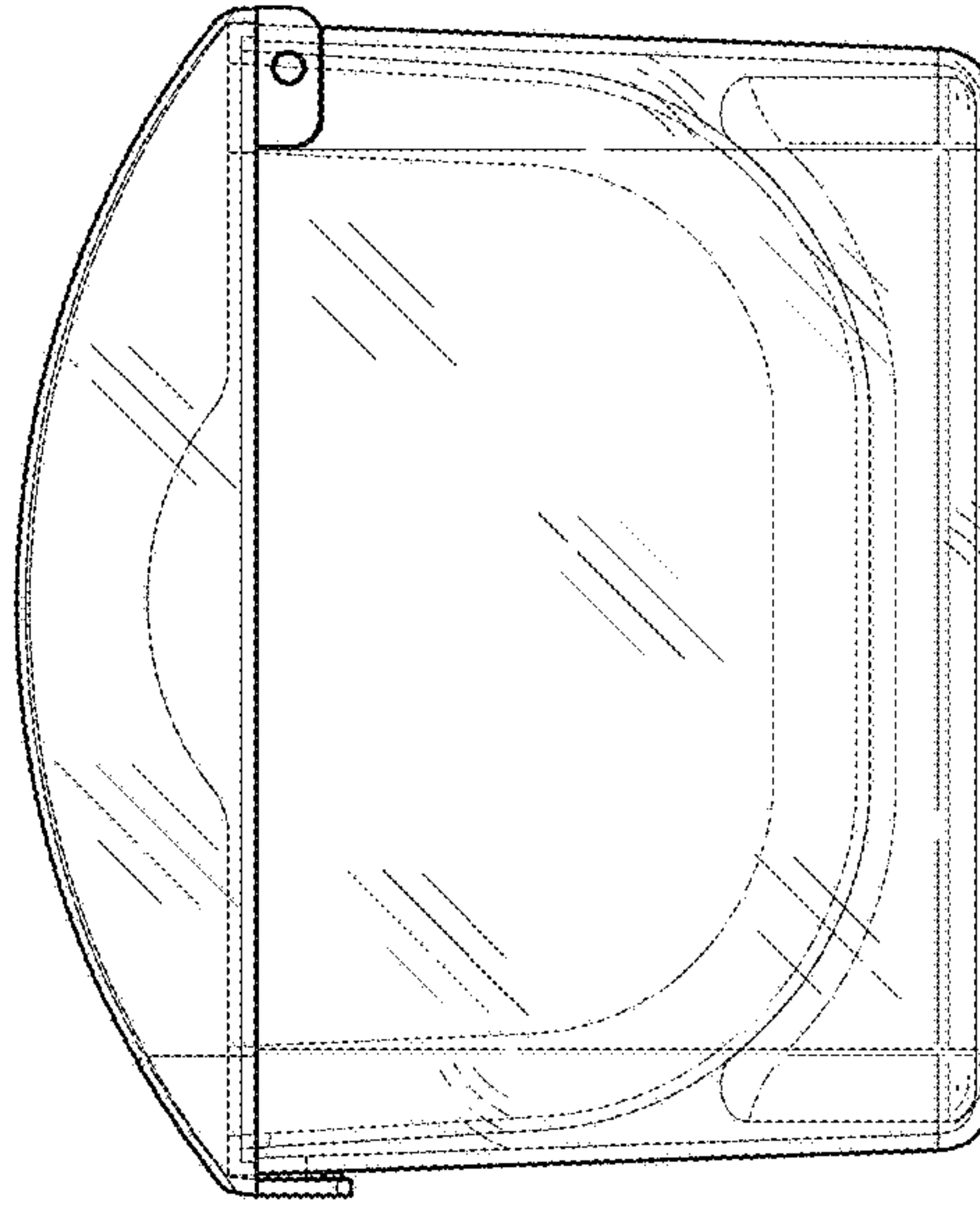


FIG. 3

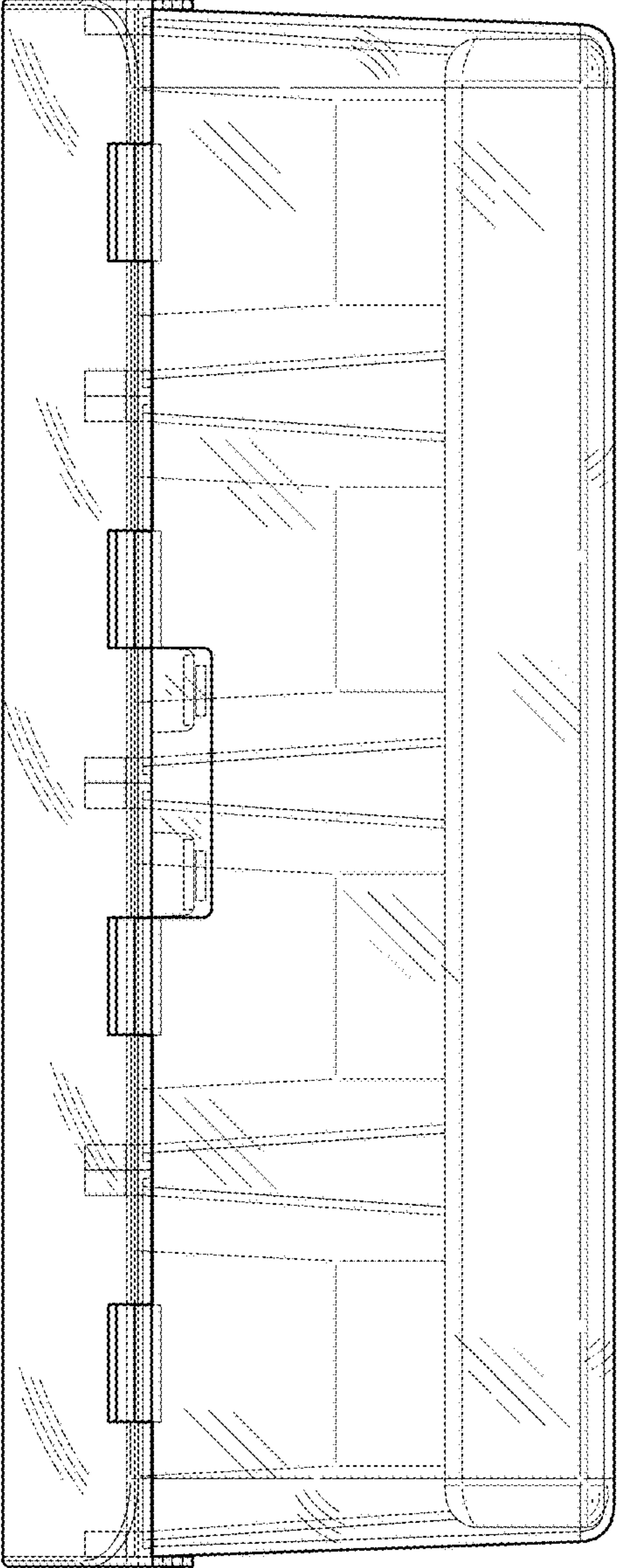


FIG. 4

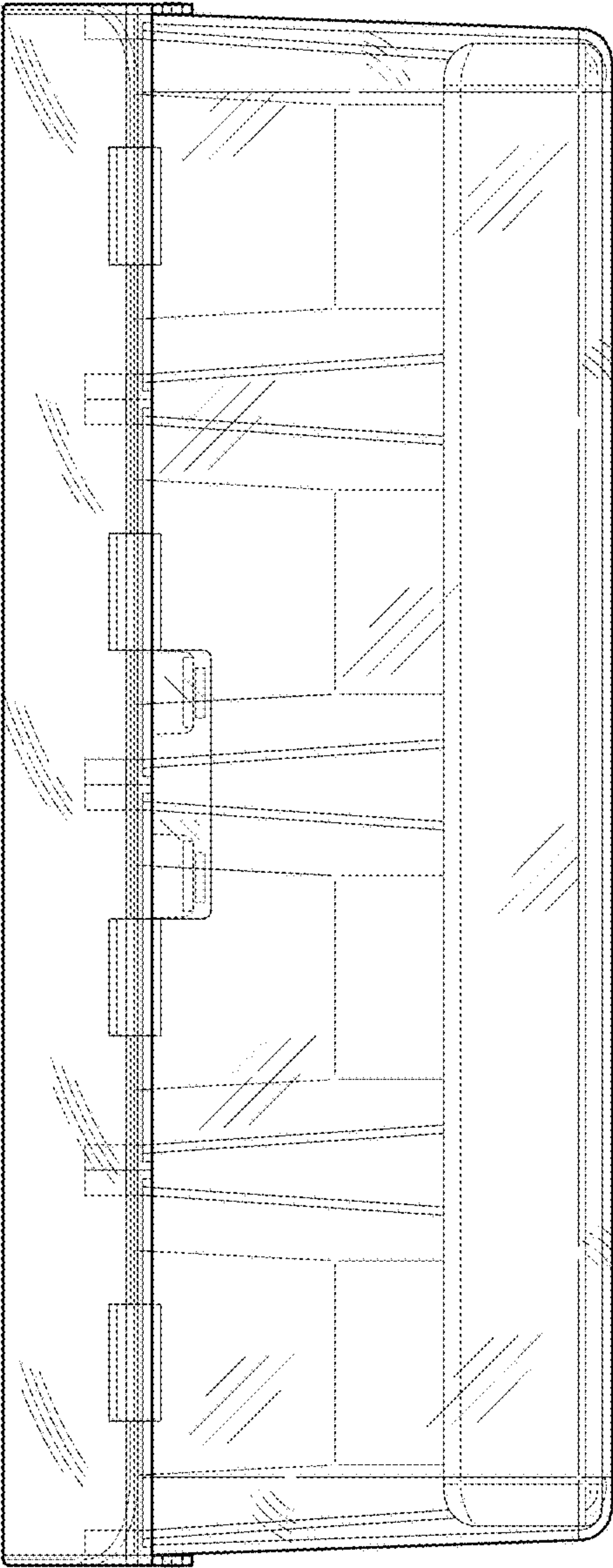


FIG. 5



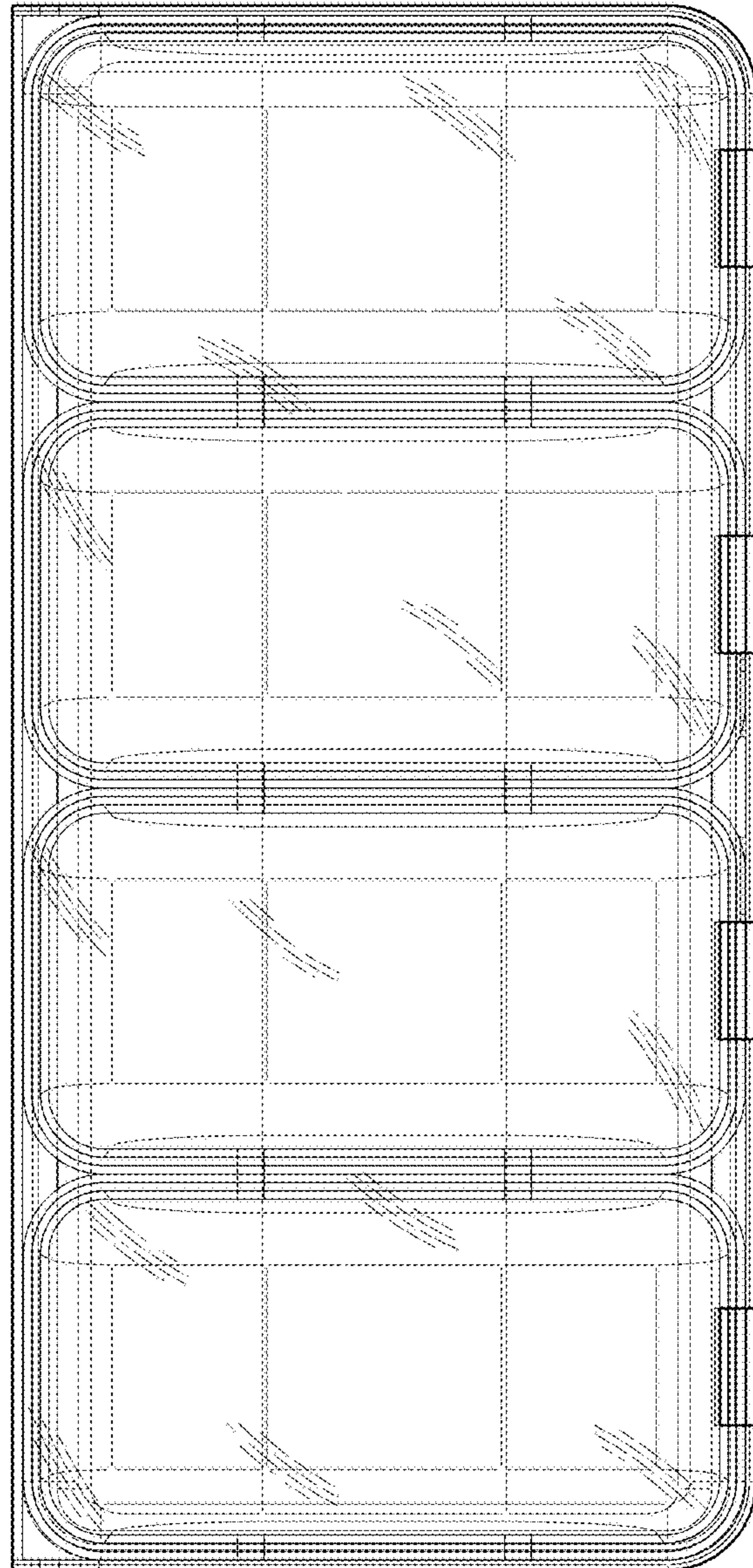


FIG. 6

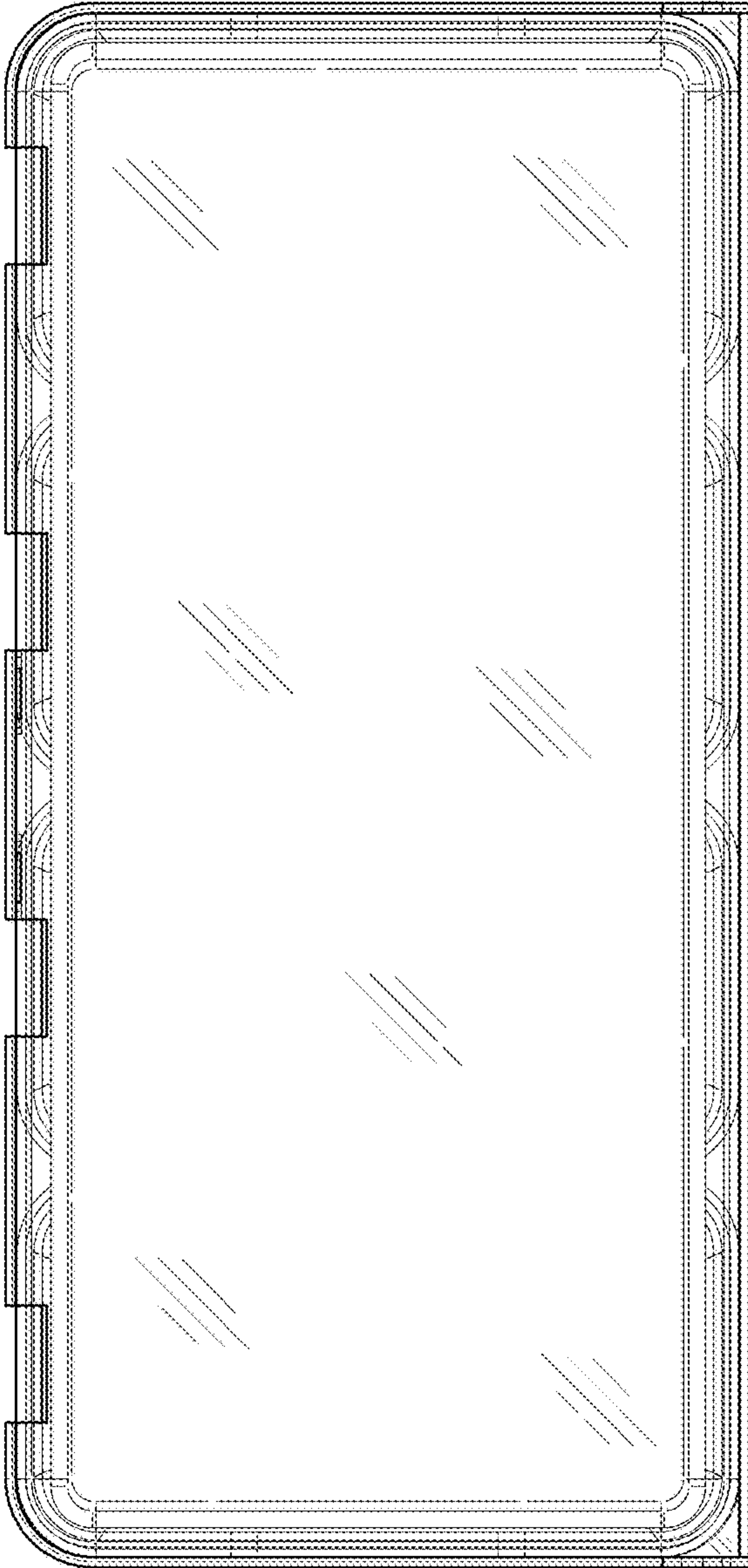


FIG. 7



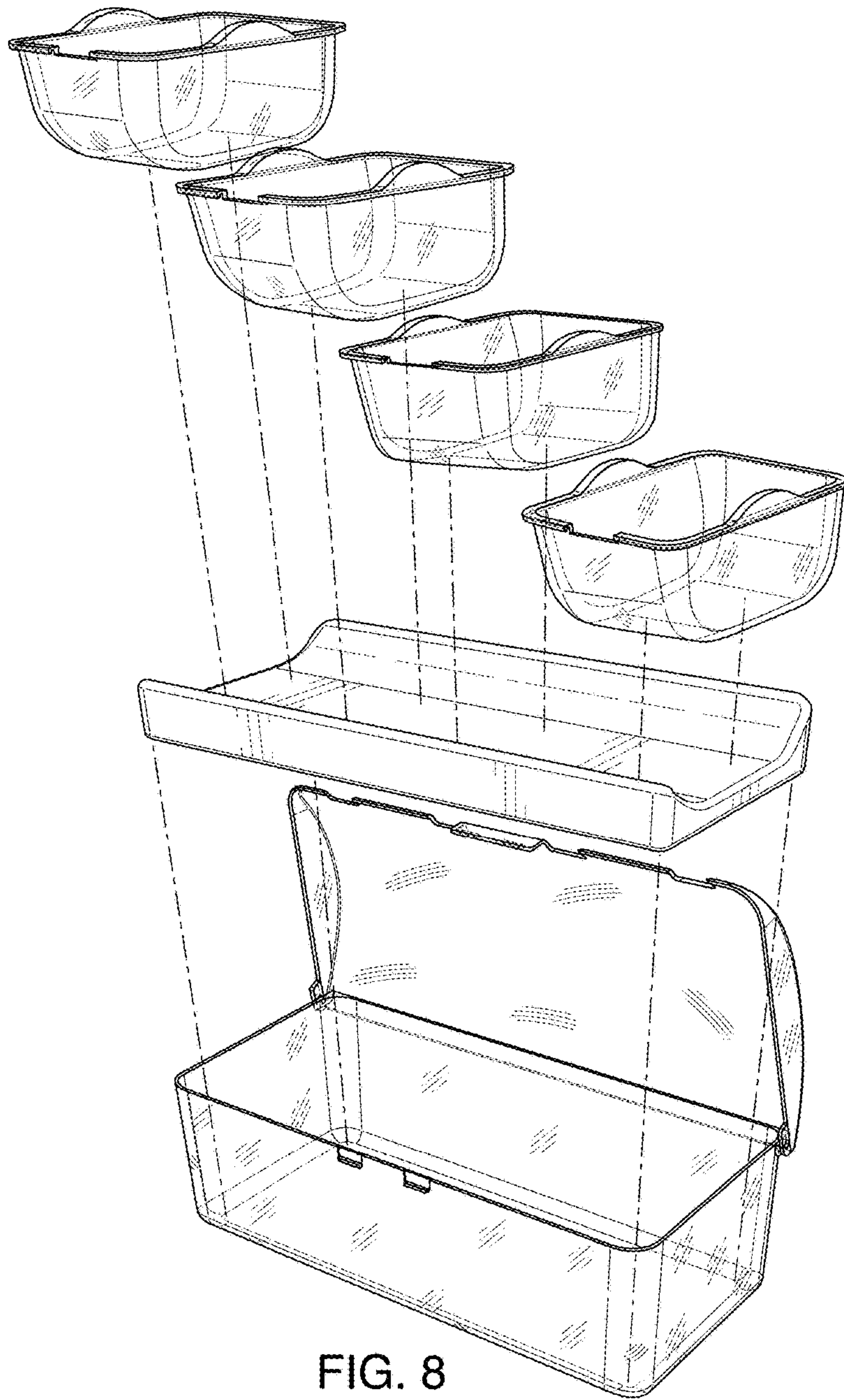


FIG. 8