



US00D852583S

(12) **United States Design Patent**  
**Tomalia et al.**

(10) **Patent No.:** **US D852,583 S**  
(45) **Date of Patent:** **\*\* Jul. 2, 2019**

(54) **DISPOSABLE CUP**

(71) Applicant: **Huhtamaki, Inc.**, De Soto, KS (US)

(72) Inventors: **Don Tomalia**, Midland, MI (US); **Mike Liming**, New Vienna, OH (US)

(73) Assignee: **HUHTAMAKI, INC.**, De Soto, KS (US)

(\*\*) Term: **15 Years**

(21) Appl. No.: **29/617,615**

(22) Filed: **Sep. 14, 2017**

**Related U.S. Application Data**

(63) Continuation-in-part of application No. 15/090,280, filed on Apr. 4, 2016, which is a continuation of application No. 13/162,307, filed on Jun. 16, 2011, now Pat. No. 9,314,089.

(51) **LOC (11) Cl.** ..... **07-01**

(52) **U.S. Cl.**  
USPC ..... **D7/523**; D7/530; D7/531

(58) **Field of Classification Search**  
USPC ..... D7/509, 510, 511, 523, 532, 534, 536, D7/300.1, 533, 394, 395, 531, 608, 529, D7/513, 507, 530; D24/197; 220/592.16, 220/592.17, 704, 705, 706, 707; D9/435, D9/447, 572, 573  
CPC ..... A47G 19/22; A47G 19/2205; A47G 19/2211; A47G 19/2266; A47G 19/2288; B65D 47/066; B65D 43/02; B65D 43/04; A47J 43/27; A47J 41/02

See application file for complete search history.

(56) **References Cited**

**U.S. PATENT DOCUMENTS**

D144,300 S \* 4/1946 Nicholson ..... D7/530  
D177,630 S \* 5/1956 Kohl ..... D7/531

3,091,360 A 5/1963 Edwards  
D196,271 S 9/1963 Edwards  
D197,313 S 1/1964 Wanderer  
3,437,253 A 4/1969 Davis et al.  
3,530,917 A 9/1970 Donovan  
D271,083 S 10/1983 Tyler  
4,446,969 A 5/1984 Tyler  
D308,318 S \* 6/1990 Durand ..... D7/509  
D321,652 S 11/1991 Palisin, Jr.  
D415,025 S 10/1999 McCann  
D438,794 S 3/2001 Miles et al.  
D448,243 S \* 9/2001 Kehrein ..... D7/509

(Continued)

**FOREIGN PATENT DOCUMENTS**

CA 2581275 A1 4/2006  
CA 2597017 A1 9/2006

(Continued)

*Primary Examiner* — Marianne N Pandozzi

*Assistant Examiner* — Jae Liang

(74) *Attorney, Agent, or Firm* — Husch Blackwell LLP

(57) **CLAIM**

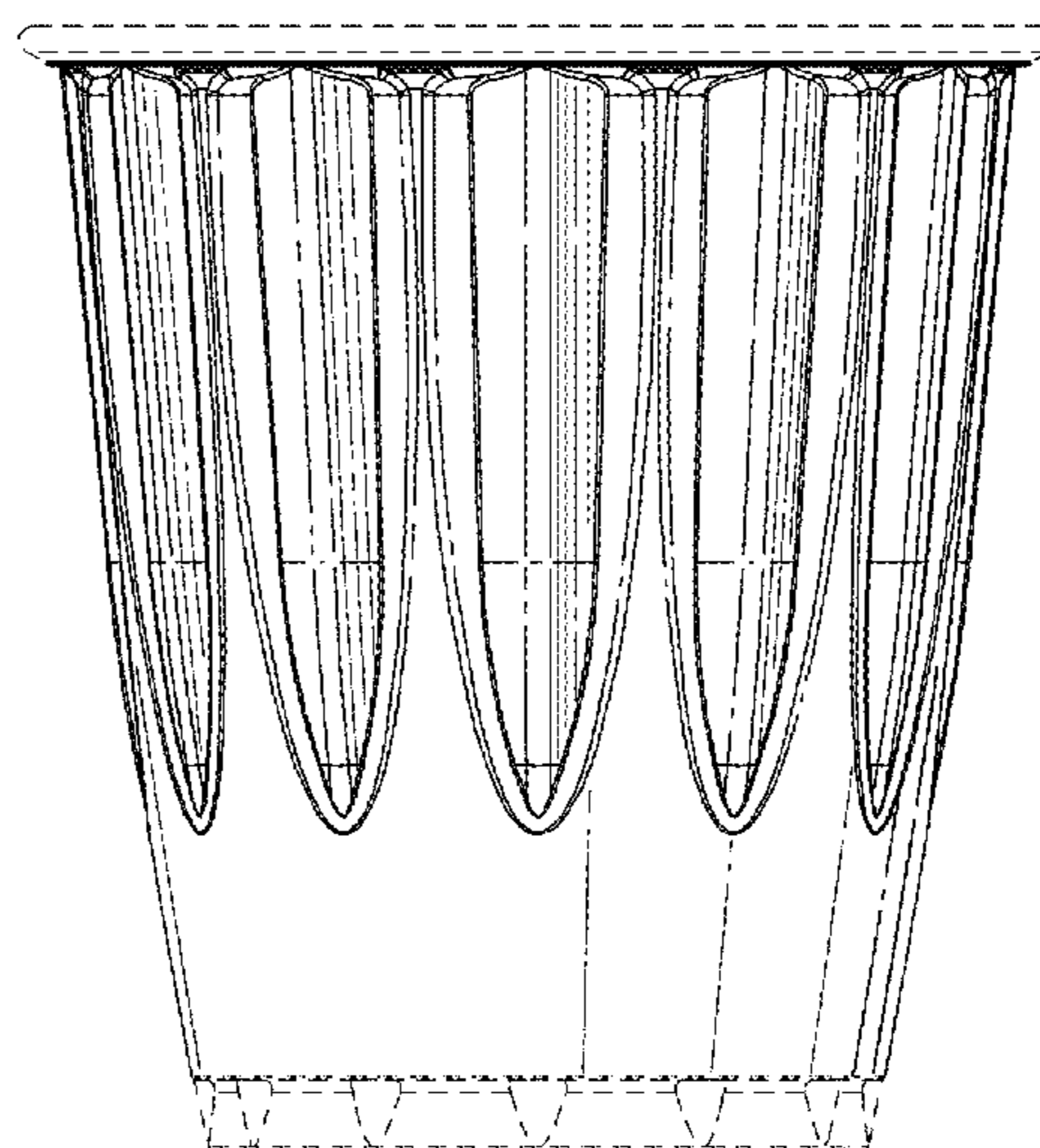
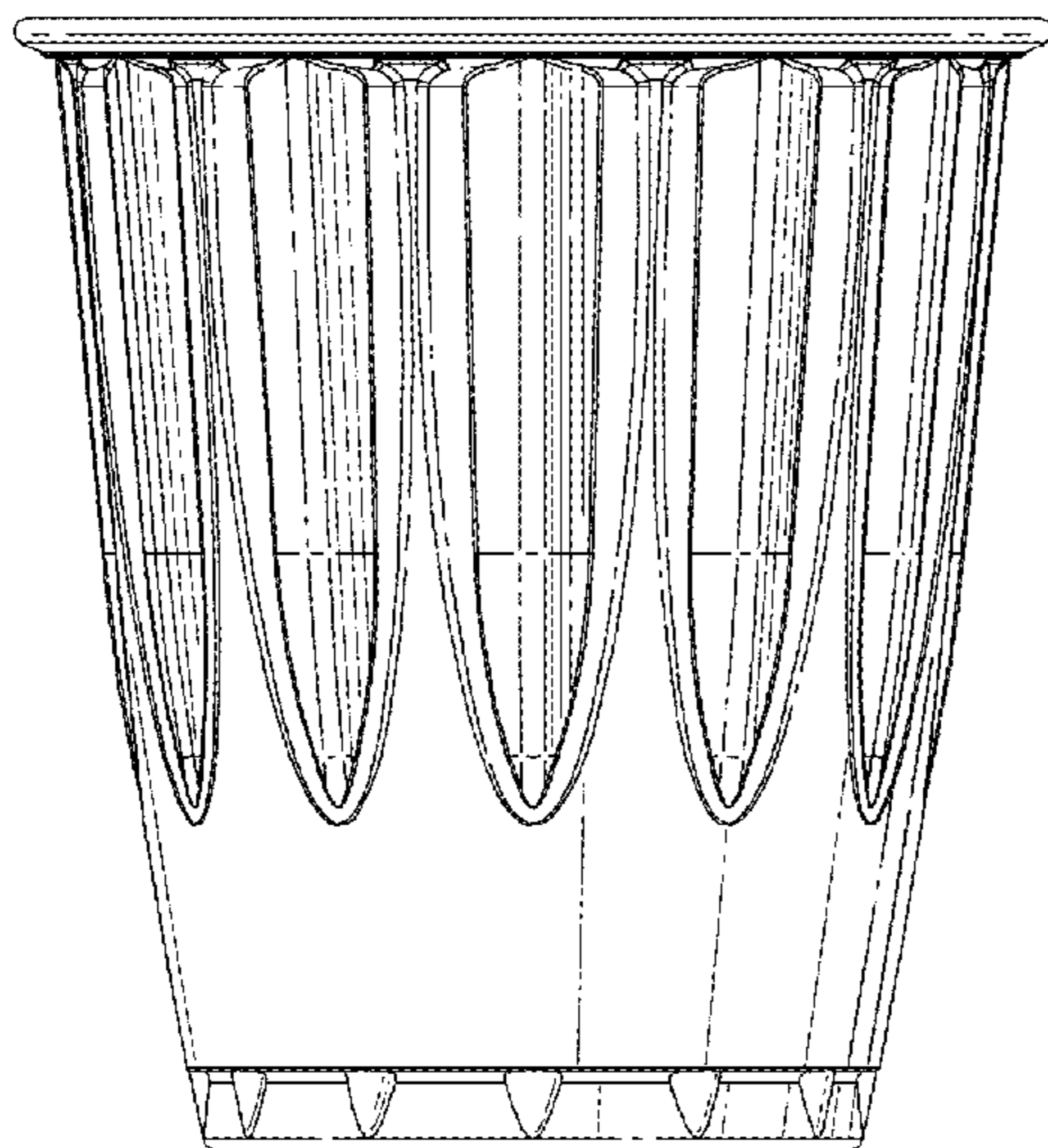
The ornamental design for a disposable cup, as shown and described.

**DESCRIPTION**

FIG. 1 is a side perspective view of a first embodiment of a disposable cup showing our new design;  
FIG. 2 is a side elevation view thereof;  
FIG. 3 is a bottom plan view thereof;  
FIG. 4 is a top plan view thereof;  
FIG. 5 is a side perspective view of a second embodiment of a disposable cup;  
FIG. 6 is a side elevational view thereof;  
FIG. 7 is a bottom plan view thereof; and,  
FIG. 8 is a top plan view thereof.

The broken lines in the drawings depict portions of the disposable cup that form no part of the claimed design.

**1 Claim, 4 Drawing Sheets**



(56)

References Cited

U.S. PATENT DOCUMENTS

D510,679 S 10/2005 Smith et al.  
 D515,358 S 2/2006 Orr et al.  
 D595,090 S \* 6/2009 Benson ..... D7/509  
 7,546,932 B2 6/2009 Smith et al.  
 D608,591 S 1/2010 Hillebrenner et al.  
 D618,962 S 7/2010 Liming  
 D627,636 S 11/2010 Fang  
 8,025,210 B2 9/2011 Johnson et al.  
 D684,047 S \* 6/2013 Hodge ..... D9/429  
 D684,048 S \* 6/2013 Hodge ..... D9/429  
 D684,460 S \* 6/2013 Hodge ..... D9/429  
 D718,577 S \* 12/2014 Gonzales ..... D7/523  
 D724,426 S \* 3/2015 Hu ..... D9/416  
 D736,614 S \* 8/2015 Rapparini ..... D9/416  
 D736,617 S \* 8/2015 Sy ..... D9/429  
 D745,386 S \* 12/2015 Covey ..... D9/416  
 D745,801 S \* 12/2015 Povey ..... D7/354  
 D745,824 S \* 12/2015 Ritter ..... D9/416  
 D749,411 S \* 2/2016 Corsetti ..... D9/503  
 D751,385 S \* 3/2016 Rapparini ..... D9/500  
 9,314,089 B2 \* 4/2016 Hodge ..... A45F 3/20  
 D757,536 S \* 5/2016 Norton ..... D9/429  
 D766,078 S \* 9/2016 Hansen ..... D9/416

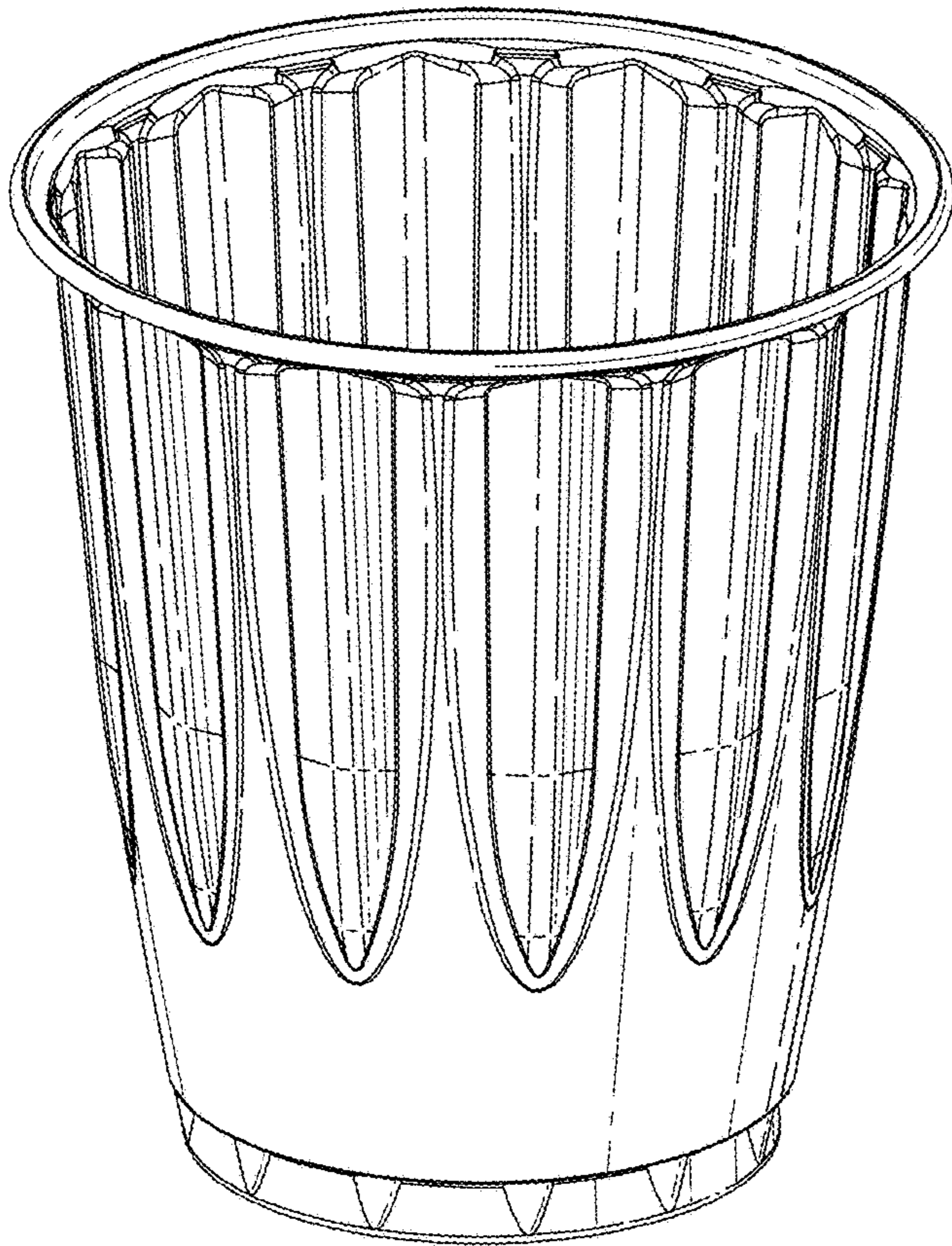
9,516,967 B2 \* 12/2016 Povey ..... A47J 27/02  
 D805,353 S \* 12/2017 Wong ..... D7/523  
 D811,821 S \* 3/2018 Arora ..... D7/523  
 2006/0076395 A1 \* 4/2006 Hayes ..... B65D 1/265  
 229/400  
 2006/0226162 A1 10/2006 Hayes et al.  
 2009/0020597 A1 \* 1/2009 D'Amato ..... B65D 21/0233  
 229/403  
 2010/0072268 A1 \* 3/2010 Johnson ..... B65D 25/20  
 229/403  
 2012/0012647 A1 \* 1/2012 Almabekov ..... B65D 81/3876  
 229/400  
 2012/0318810 A1 \* 12/2012 Hodge ..... A47G 19/03  
 220/671  
 2015/0083791 A1 \* 3/2015 Gonzalez ..... B65D 81/3874  
 229/403

FOREIGN PATENT DOCUMENTS

DE 1216139 5/1966  
 GB 1096451 12/1967  
 GB 1251595 10/1971  
 WO 2006043971 A1 4/2006  
 WO 2006093952 A1 9/2006

\* cited by examiner

**FIG. 1**



**FIG. 2**

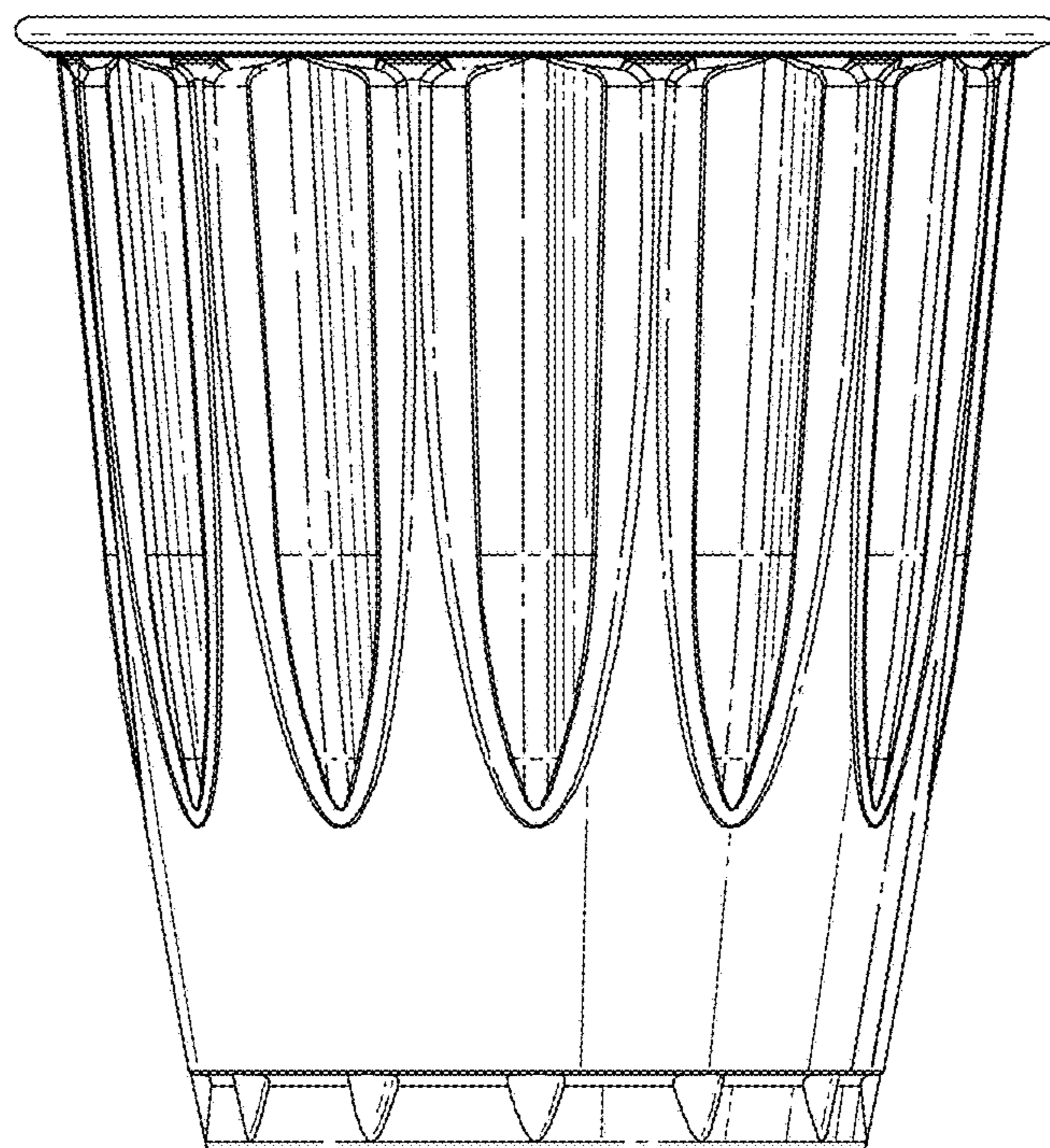


FIG. 3

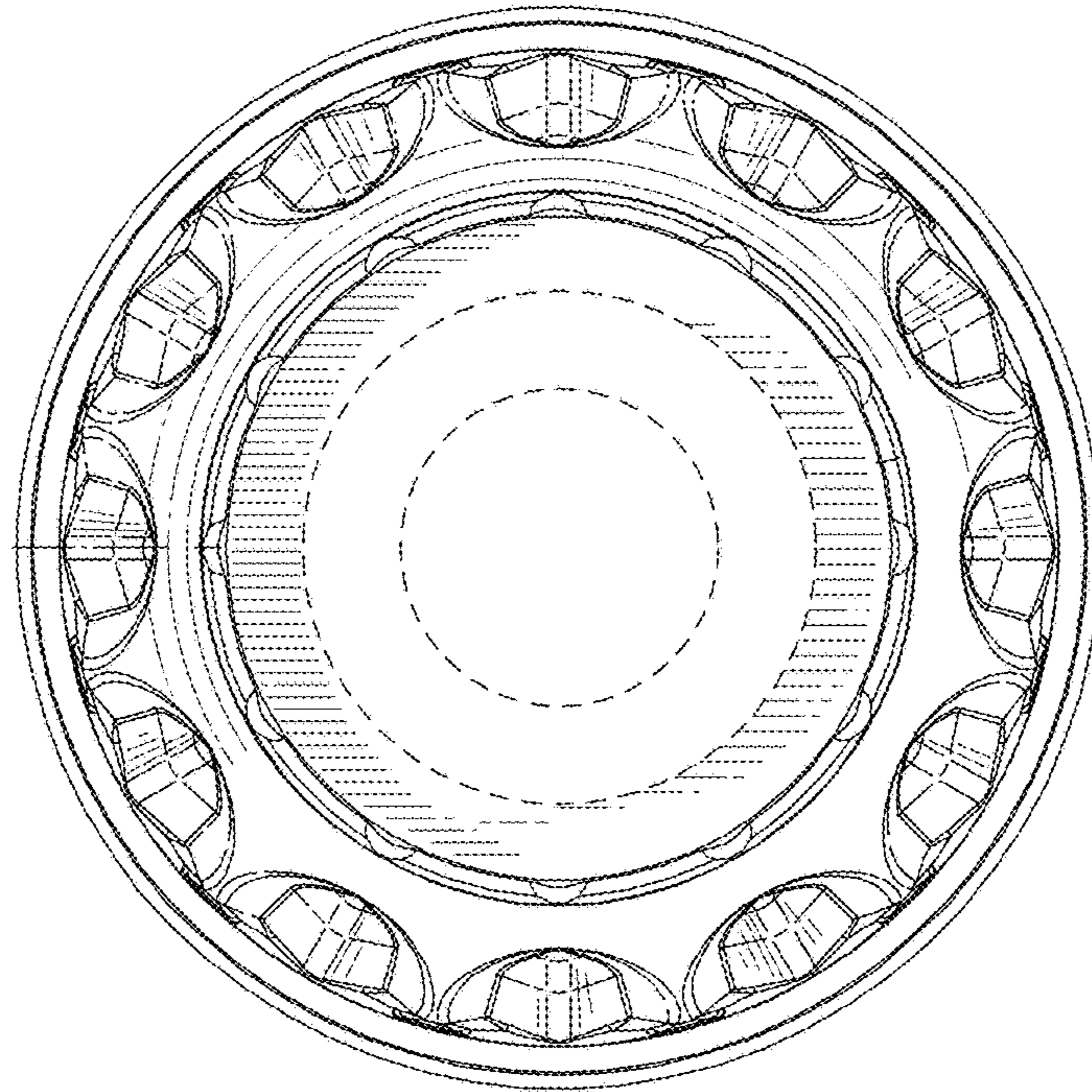
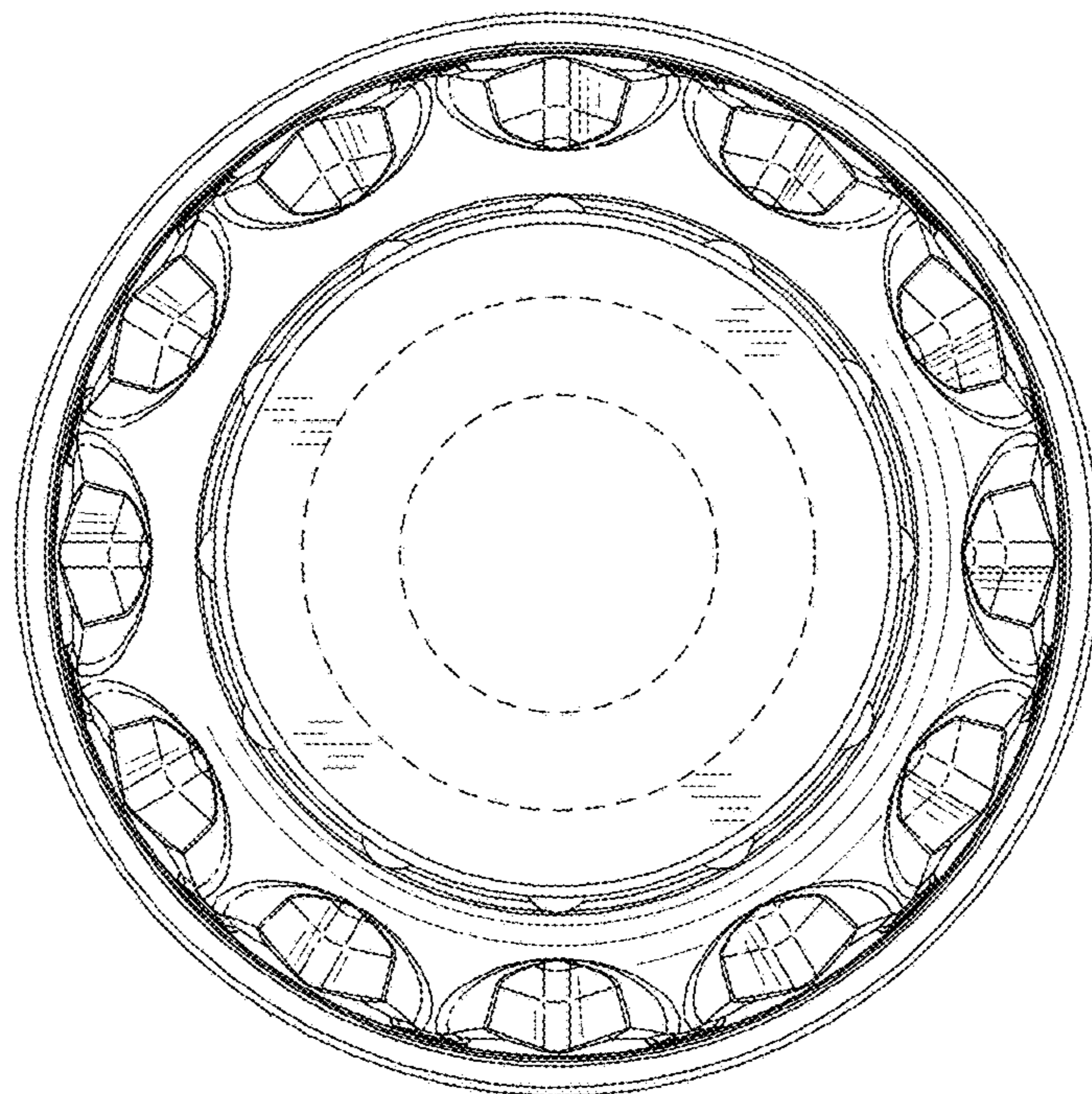
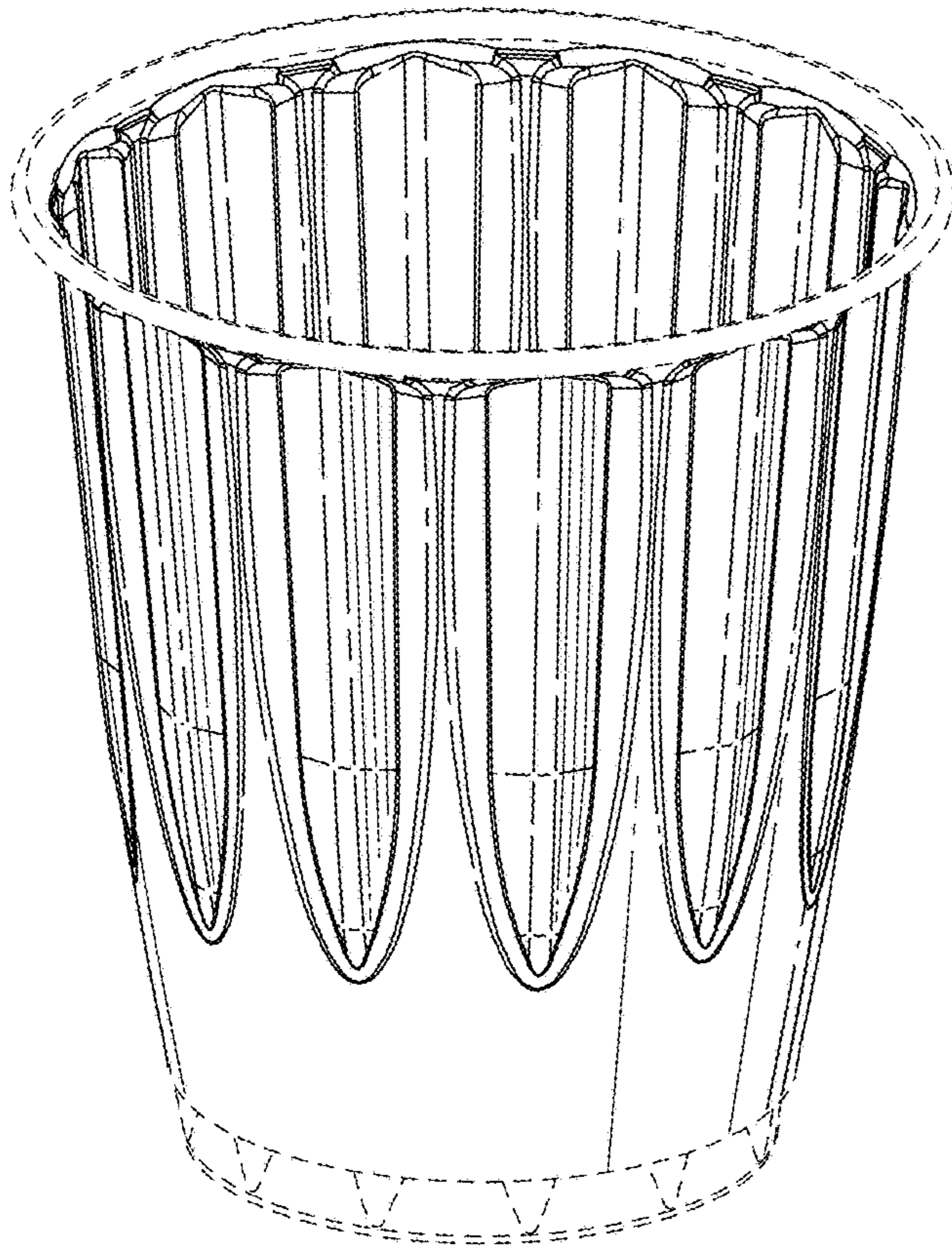


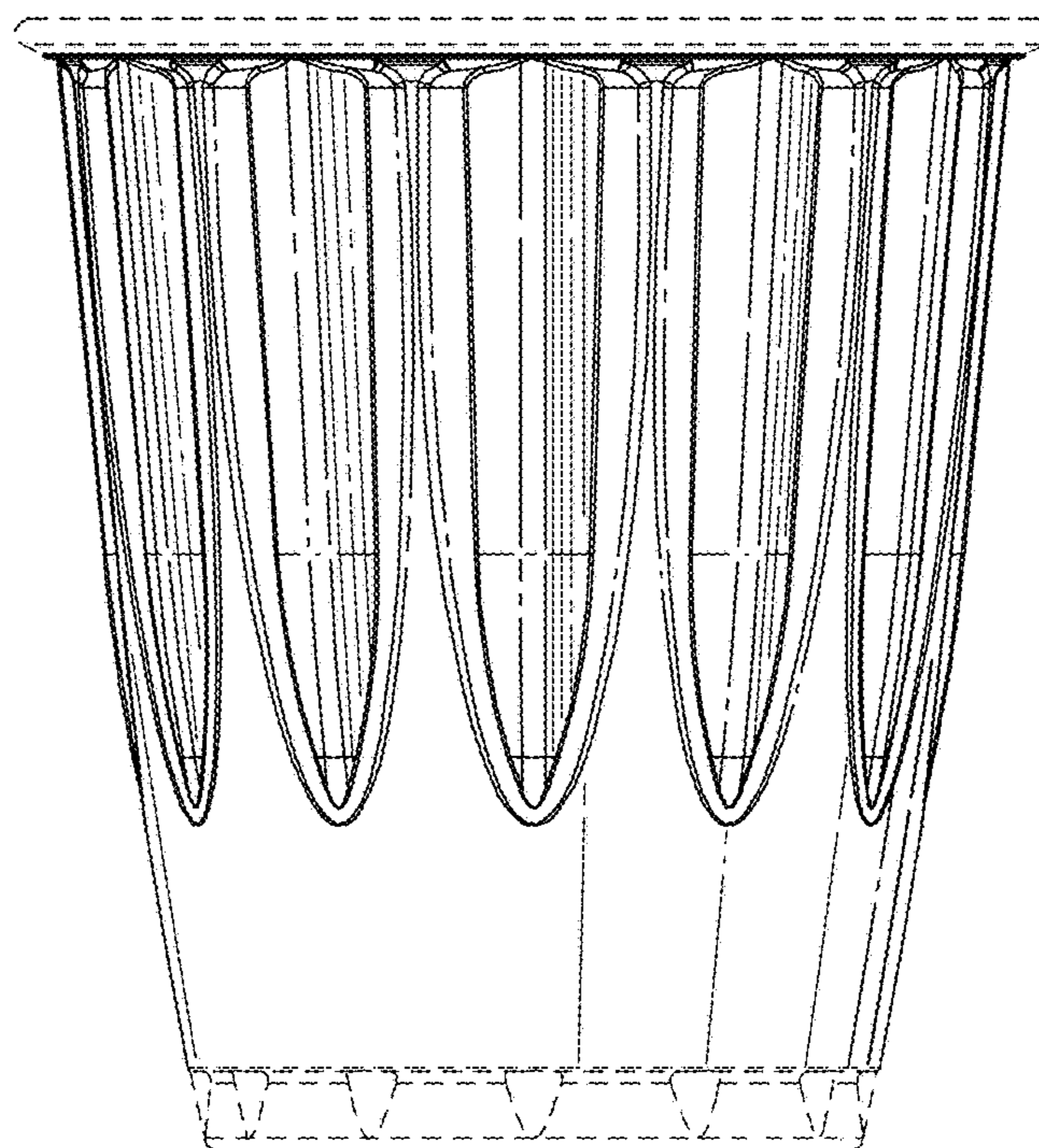
FIG. 4



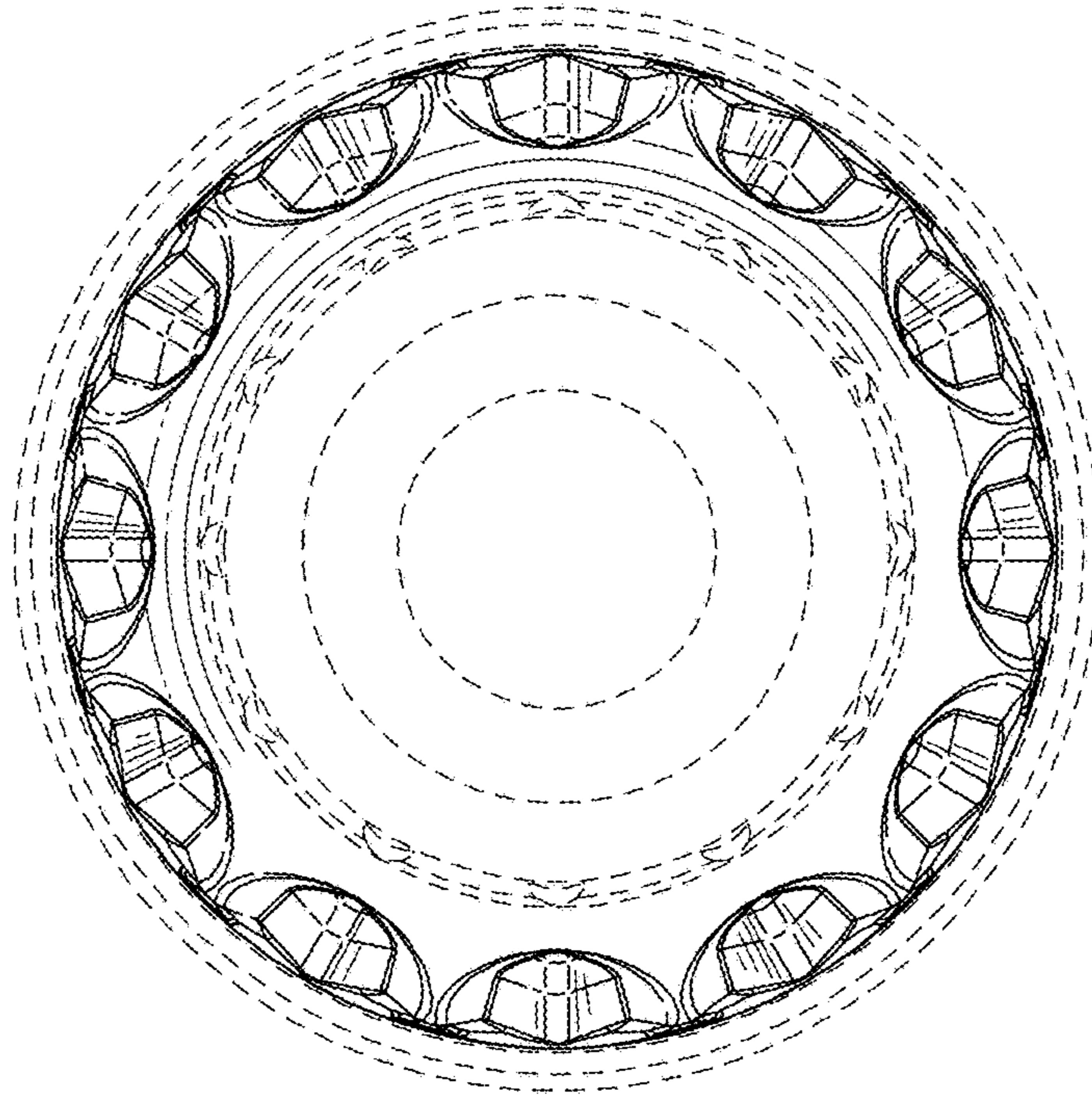
**FIG. 5**



**FIG. 6**



**FIG. 7**



**FIG. 8**

