



US00D852580S

(12) **United States Design Patent**  
**Kim et al.**

(10) **Patent No.:** **US D852,580 S**  
(45) **Date of Patent:** **\*\* Jul. 2, 2019**

(54) **ELECTRIC OVEN RANGE**  
(71) Applicant: **LG ELECTRONICS INC.**, Seoul (KR)  
(72) Inventors: **Sooyeon Kim**, Seoul (KR); **Inhwan Ryu**, Seoul (KR); **Sangwoo Kim**, Seoul (KR)  
(73) Assignee: **LG ELECTRONICS INC.**, Seoul (KR)  
(\*\*) Term: **15 Years**

D511,271 S \* 11/2005 Grutzke ..... D7/405  
D512,603 S \* 12/2005 Kim ..... D7/406  
D516,862 S \* 3/2006 Grutzke ..... D7/405  
D523,685 S \* 6/2006 Jung ..... D7/340  
D526,527 S \* 8/2006 Jung ..... D7/348  
D527,572 S \* 9/2006 Lee ..... D7/350.1  
D530,152 S \* 10/2006 Pryor ..... D7/405  
D552,920 S \* 10/2007 Chung ..... D7/348  
D585,697 S \* 2/2009 Chung ..... D7/351  
D592,009 S \* 5/2009 Crookshanks ..... D7/405  
D604,988 S \* 12/2009 Yalcin ..... D7/349  
D611,755 S \* 3/2010 Yalcin ..... D7/349  
D611,756 S \* 3/2010 Yalcin ..... D7/349  
D612,682 S \* 3/2010 Baker ..... D7/405  
D632,920 S \* 2/2011 Ohmae ..... D7/351  
D639,106 S \* 6/2011 Ohmae ..... D7/351

(Continued)

(21) Appl. No.: **35/503,670**  
(22) Filed: **Mar. 14, 2017**

*Primary Examiner* — Sheryl Lane  
*Assistant Examiner* — Nicole C Shiflet  
(74) *Attorney, Agent, or Firm* — Birch, Stewart, Kolasch & Birch, LLP

(80) **Hague Agreement Data**  
Int. Filing Date: **Mar. 14, 2017**  
Int. Reg. No.: **DM/095332**  
Int. Reg. Date: **Mar. 14, 2017**  
Int. Reg. Pub. Date: **Sep. 15, 2017**

(30) **Foreign Application Priority Data**  
Sep. 22, 2016 (KR) ..... 30-2016-0045874  
(51) **LOC (11) Cl.** ..... **07-02**  
(52) **U.S. Cl.**  
USPC ..... **D7/405**  
(58) **Field of Classification Search**  
USPC ..... D7/402-408, 323, 331-335, 339-340,  
D7/346-349, 350.1-351  
CPC .. F24C 3/00; F24C 3/002; F24C 3/008; F24C  
5/00; F24C 7/00; F24C 15/02; F24C  
15/024  
See application file for complete search history.

(57) **CLAIM**

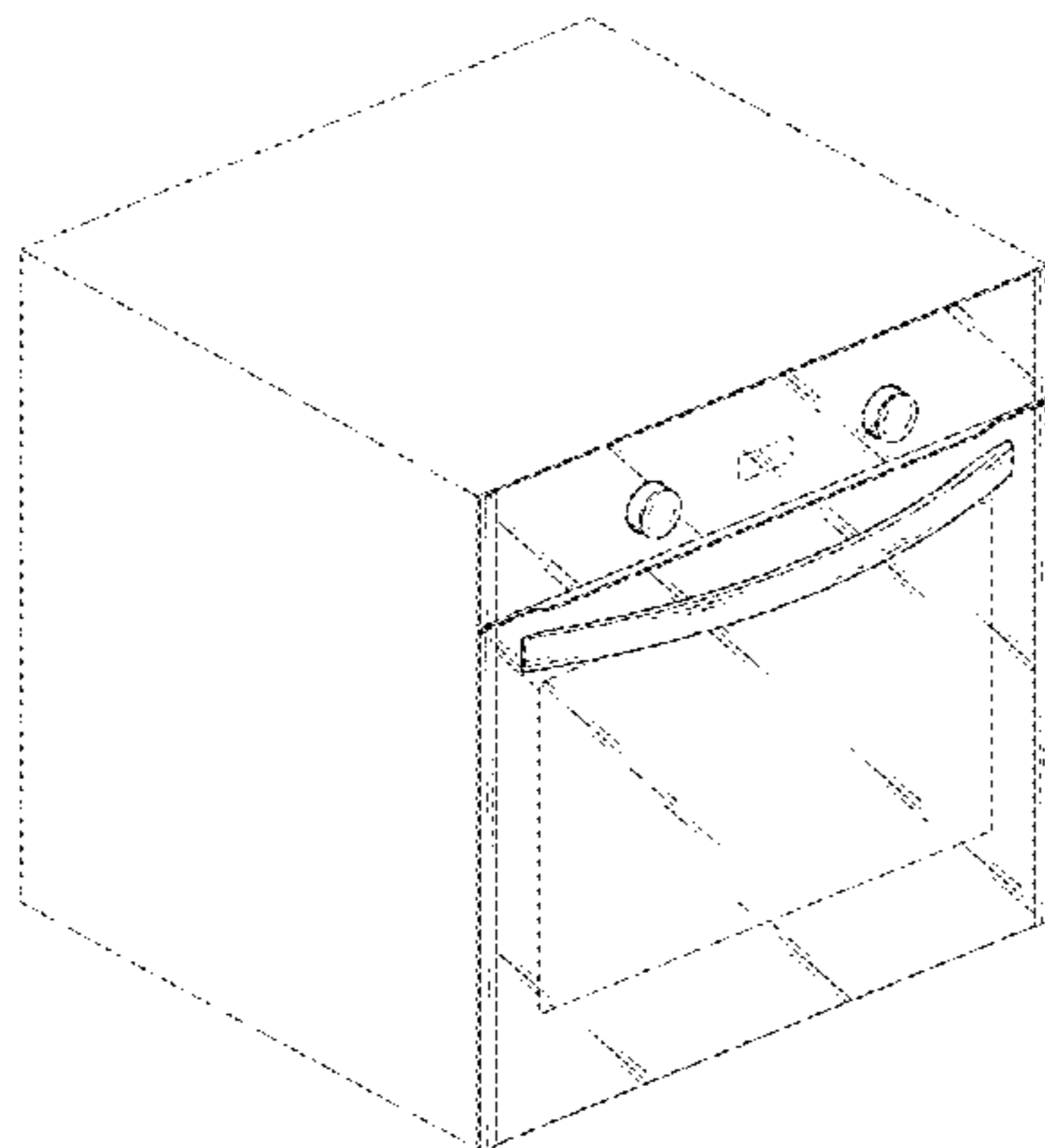
The ornamental design for an electric oven range, as shown and described.

**DESCRIPTION**

1. Electric oven range  
1.1 is a perspective view of an electric oven range, showing our new design;  
1.2 is a front elevation view thereof;  
1.3 is a rear elevation view thereof;  
1.4 is a left-side elevation view thereof;  
1.5 is a right-side elevation view thereof;  
1.6 is a top plan view thereof;  
1.7 is a bottom plan view thereof; and  
1.8 is a front perspective view thereof showing the buttons in a pressed position.  
The broken lines showing portions of the article form no part of the claimed design.

(56) **References Cited**  
U.S. PATENT DOCUMENTS  
6,191,391 B1 \* 2/2001 Deo ..... F24C 15/18  
126/273 R  
D476,521 S \* 7/2003 Fukuda ..... D7/351

**1 Claim, 8 Drawing Sheets**



(56)

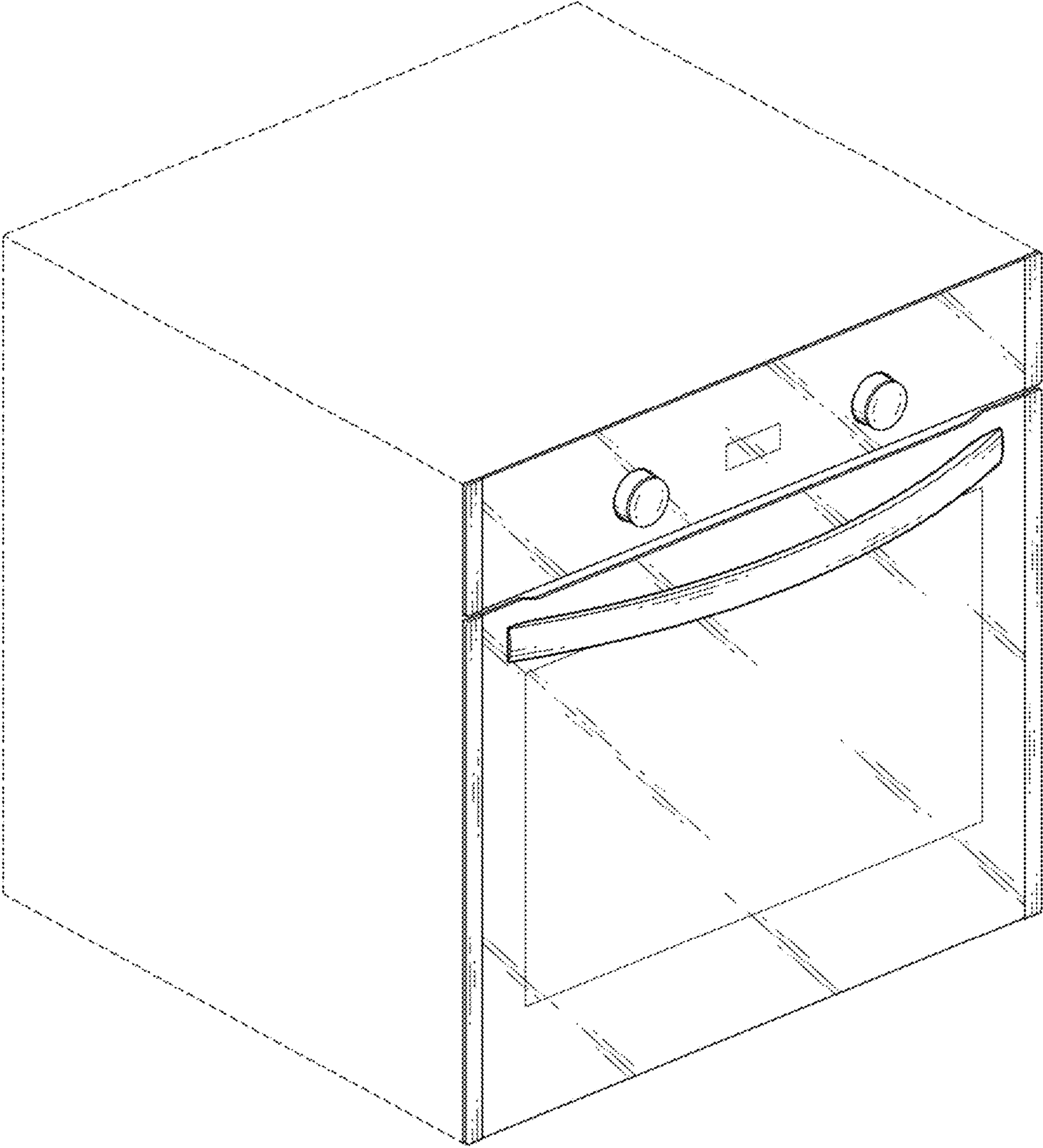
**References Cited**

U.S. PATENT DOCUMENTS

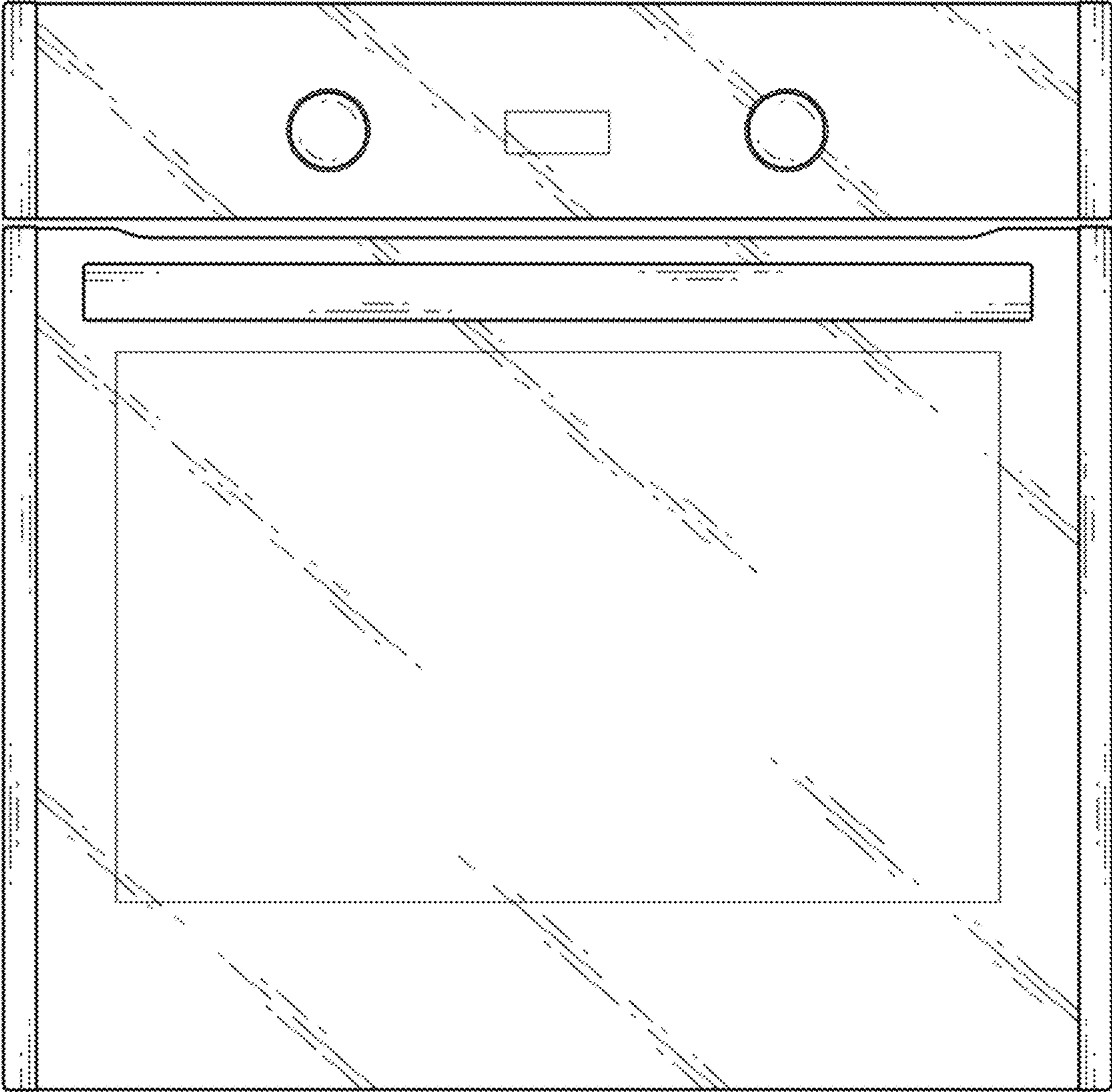
D646,112	S	*	10/2011	Park	.....	D7/348
D646,113	S	*	10/2011	Park	.....	D7/348
D657,607	S	*	4/2012	Ohmae	.....	D7/351
D665,220	S	*	8/2012	Ohmae	.....	D7/351
D665,625	S	*	8/2012	Sadtler	.....	D7/405
D669,297	S	*	10/2012	Tanaka	.....	D7/349
D690,158	S	*	9/2013	Baek	.....	D7/405
D690,994	S	*	10/2013	Baek	.....	D7/405
D700,470	S	*	3/2014	Kim	.....	D7/351
D704,978	S	*	5/2014	Kim	.....	D7/340
D710,646	S	*	8/2014	Borjesson	.....	D7/349
D724,888	S	*	3/2015	Lee	.....	D7/340
D728,300	S	*	5/2015	Borjesson	.....	D7/349
D755,558	S	*	5/2016	Lee	.....	D7/340
D762,086	S	*	7/2016	Kim	.....	D7/405
D764,854	S	*	8/2016	Kim	.....	D7/339
D781,097	S	*	3/2017	Kim	.....	D7/348
D787,878	S	*	5/2017	Kim	.....	D7/348
D787,879	S	*	5/2017	Kim	.....	D7/348
D821,813	S	*	7/2018	Kim	.....	D7/405
2009/0194092	A1	*	8/2009	Shon	.....	F24C 15/327 126/273 R

\* cited by examiner

1.1



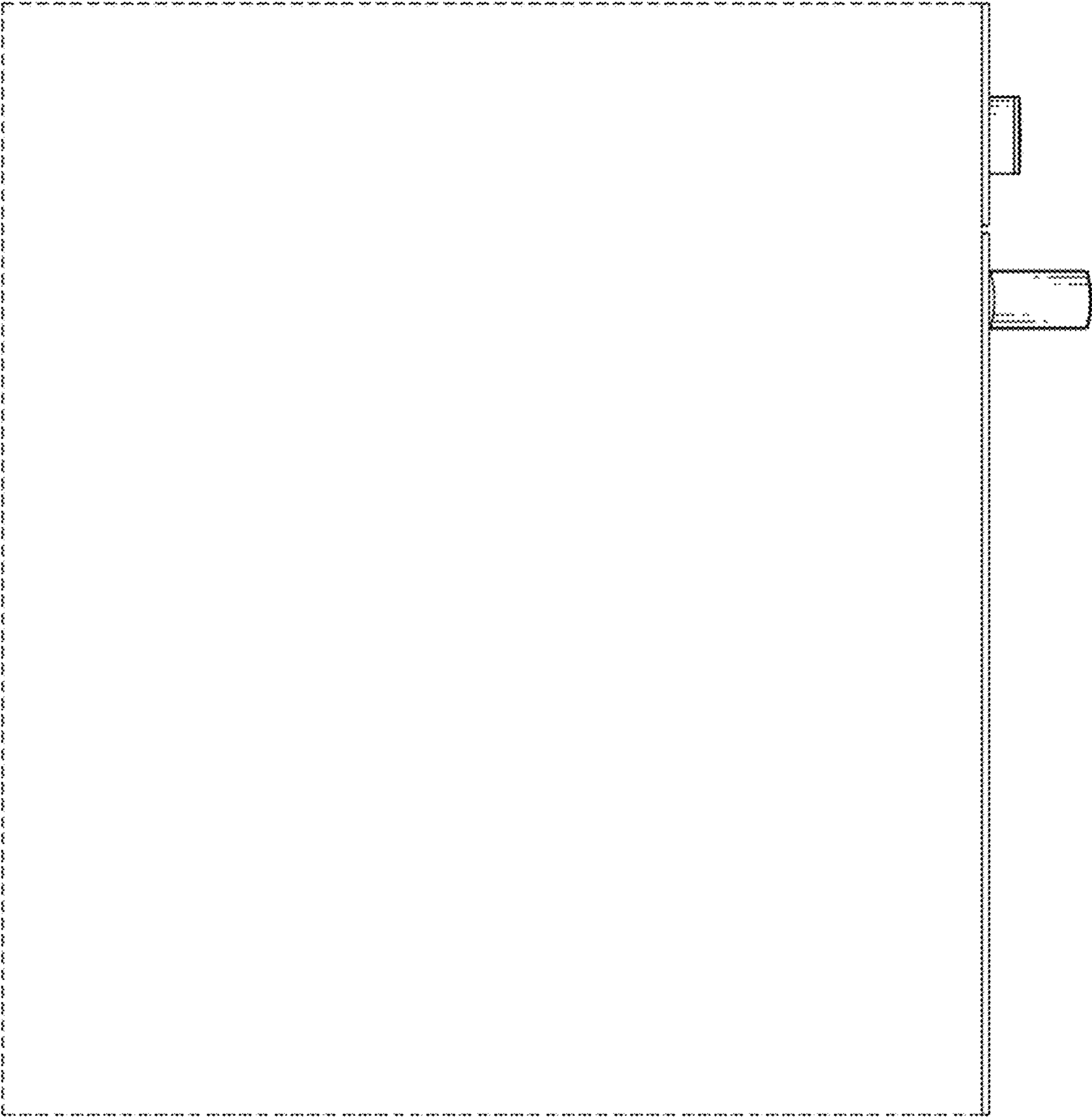
1.2



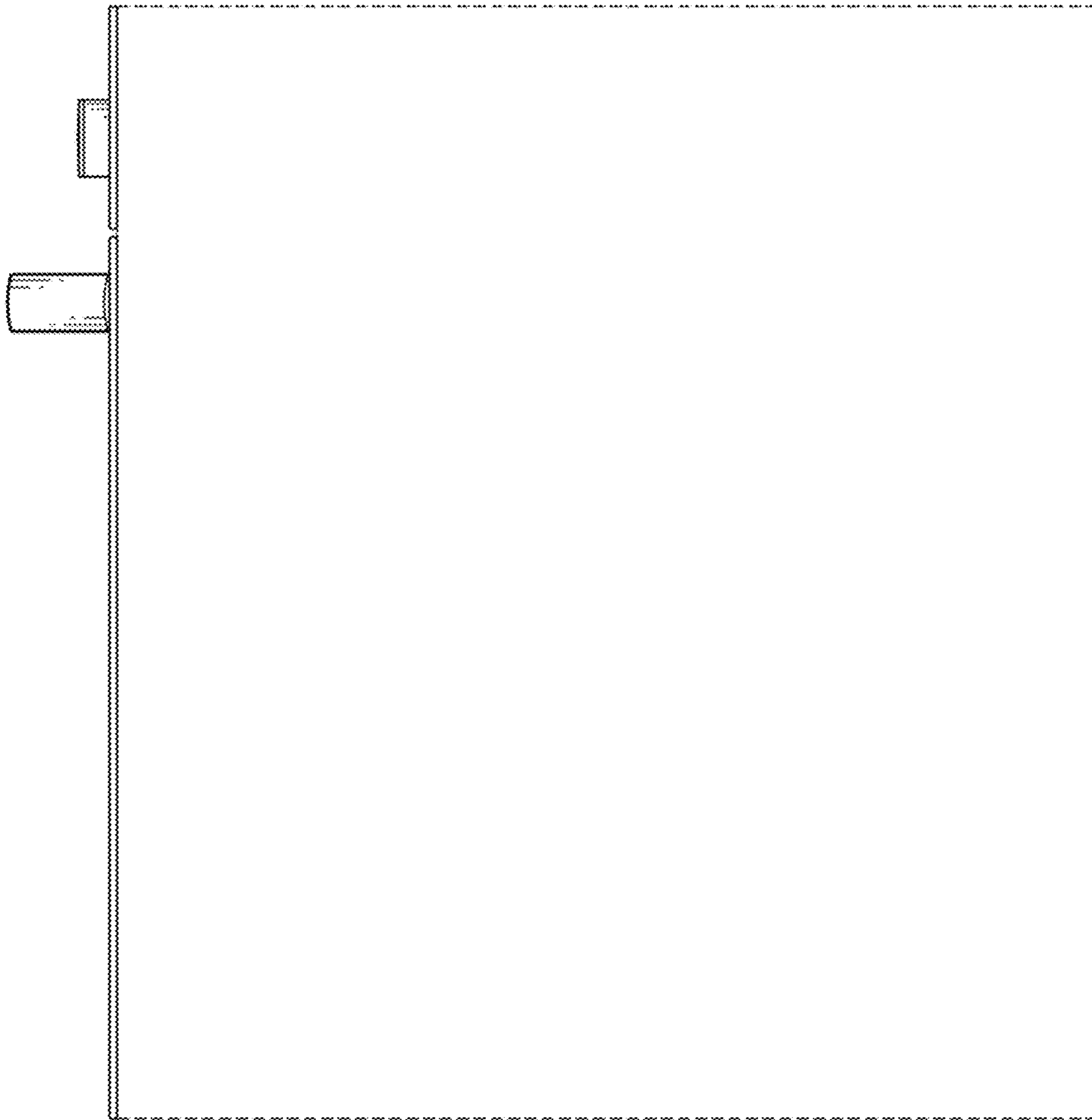
1.3



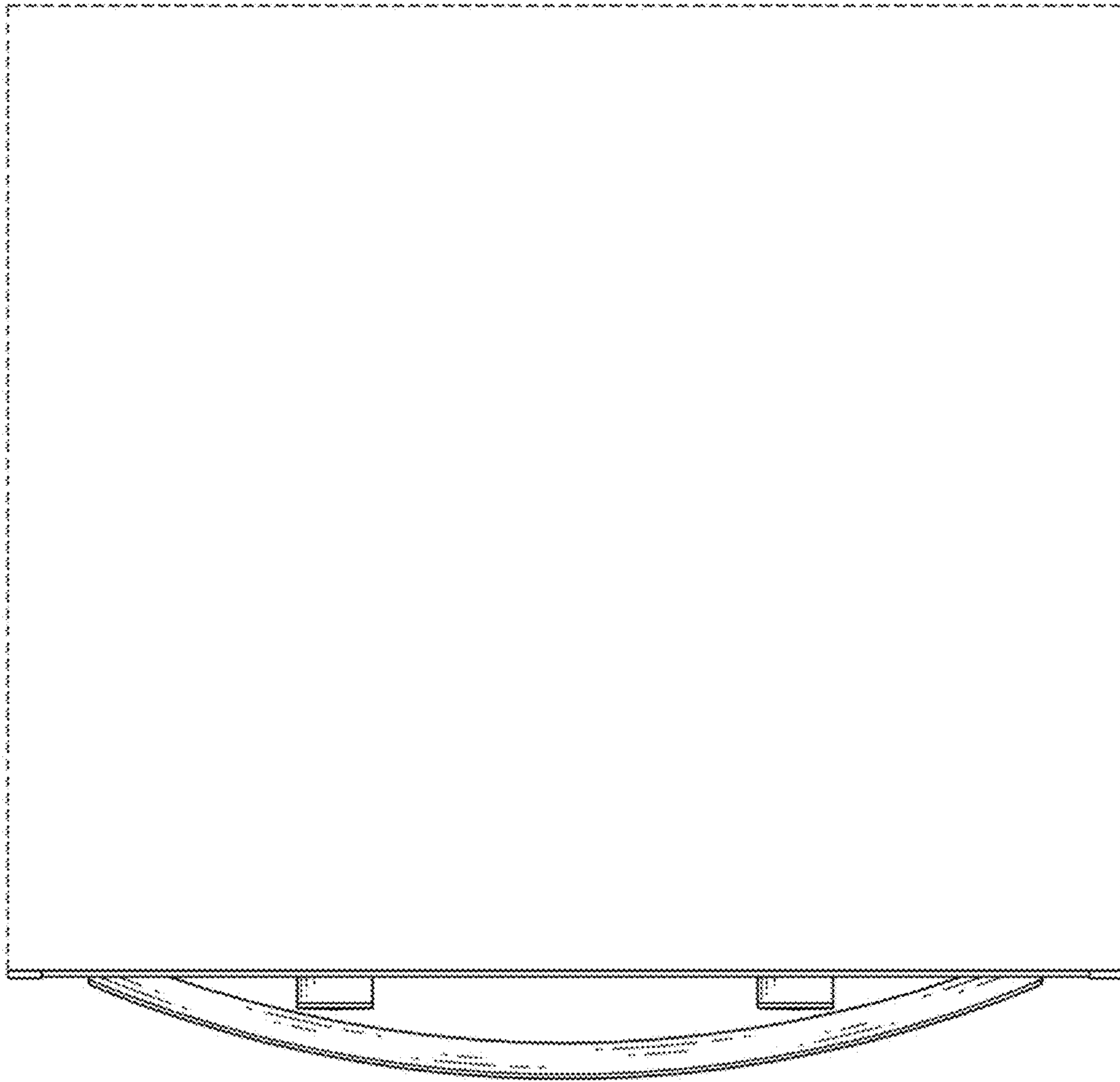
1.4



1.5

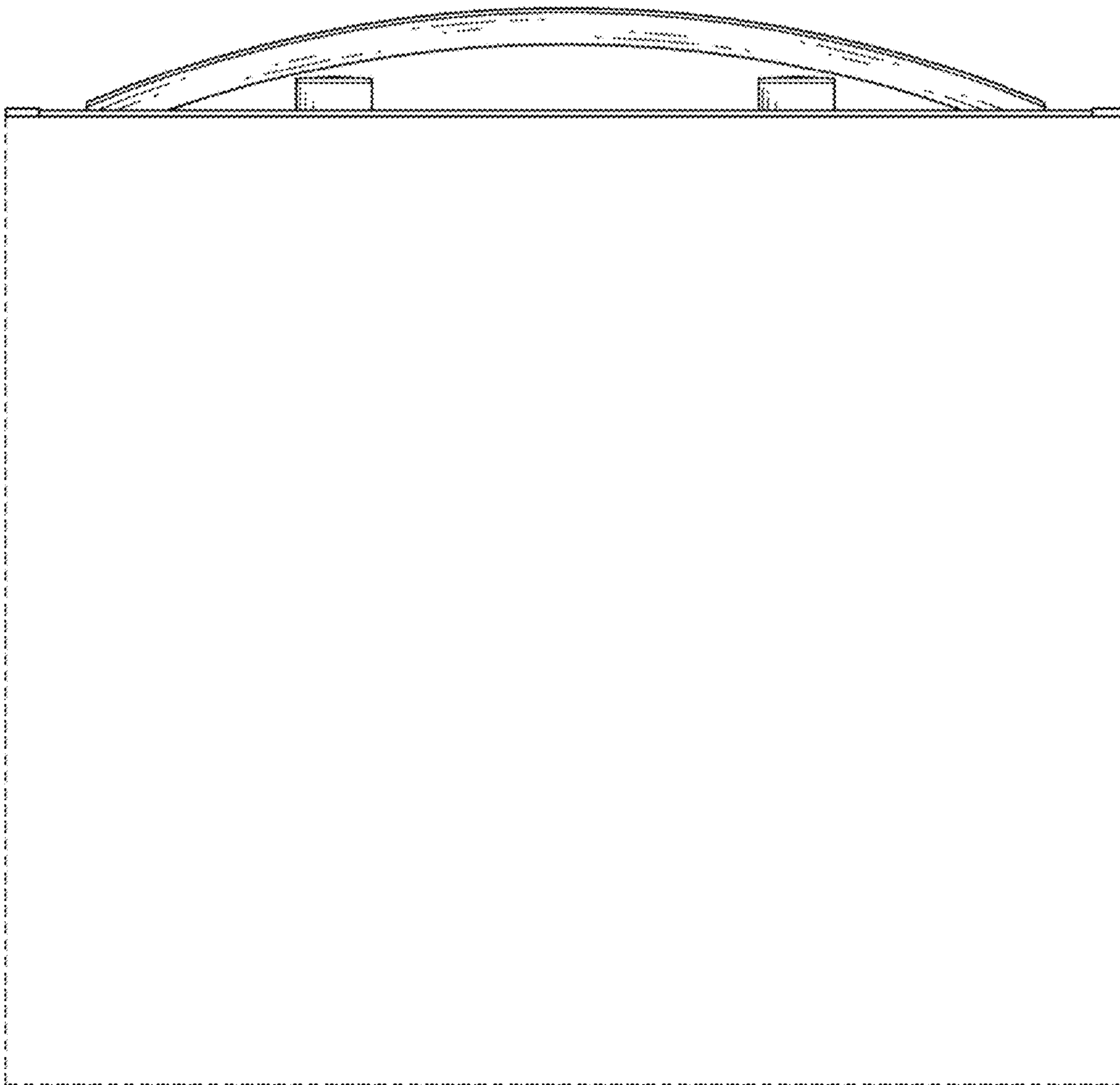


1.6





1.7



1.8

