

US00D852577S

(12) **United States Design Patent** (10) **Patent No.:** **US D852,577 S**
Markey (45) **Date of Patent:** **** *Jul. 2, 2019**

- (54) **LID ASSEMBLY**
- (71) Applicant: **Steve Markey**, Spicewood, TX (US)
- (72) Inventor: **Steve Markey**, Spicewood, TX (US)
- (73) Assignee: **Stout Stuff, LLC**, Bentonville, AR (US)
- (*) Notice: This patent is subject to a terminal disclaimer.
- (**) Term: **15 Years**
- (21) Appl. No.: **29/603,521**
- (22) Filed: **May 10, 2017**

Related U.S. Application Data

- (63) Continuation-in-part of application No. 29/598,609, filed on Mar. 31, 2017.
- (51) **LOC (11) Cl.** **07-99**
- (52) **U.S. Cl.**
USPC **D7/396.2**
- (58) **Field of Classification Search**
USPC D3/202; D9/434, 435, 436, 437, 438, D9/440, 443, 446, 447, 448, 449, 452, D9/453, 454, 688, 690, 723, 724, 763, D9/772; D7/300, 300.1, 313, 314, 316, D7/323, 354, 387, 392, 392.1, 396.1, D7/396.2, 396, 398, 401.1, 509, 510, 511, D7/503, 523, 526, 527, 536, 538, 552.1, D7/553.1, 553.2, 554, 589, 600.1, 602, D7/614, 704, 900
CPC B65D 47/065; B65D 43/02; B65D 43/06; B65D 43/0202; B65D 43/16; B65D 43/22; B65D 43/26; B65D 47/0885; B65D 47/06; B65D 47/08; B65D 47/265; B65D 51/212; B65D 51/18; B65D 51/04; B65D 51/24; B65D 51/16; B65D 51/28; B65D 51/242; B65D 51/243; B65D 31/0407; B65D 25/002; B65D 2525/283; B65D 2543/00277; B65D 2543/00296;

B65D 2543/00268; B65D 2543/00305; B65D 2251/0021; B65D 2251/0081; A45F 3/18; A47G 19/00; A47G 19/2272; A47G 19/2266; A47G 19/2288; A47G 21/18

See application file for complete search history.

(56) **References Cited**

U.S. PATENT DOCUMENTS

- 3,820,692 A * 6/1974 Swett et al. B65D 47/0895 222/547
- 5,361,918 A 11/1994 Mason
- D356,499 S * 3/1995 Cautereels D9/434
- 5,465,835 A 11/1995 Schumacher et al.

(Continued)

Primary Examiner — Jennifer Rivard

Assistant Examiner — Catherine S Posthauer

(74) *Attorney, Agent, or Firm* — Todd R. Fronck; Larkin Hoffman Daly & Lindgren, Ltd.

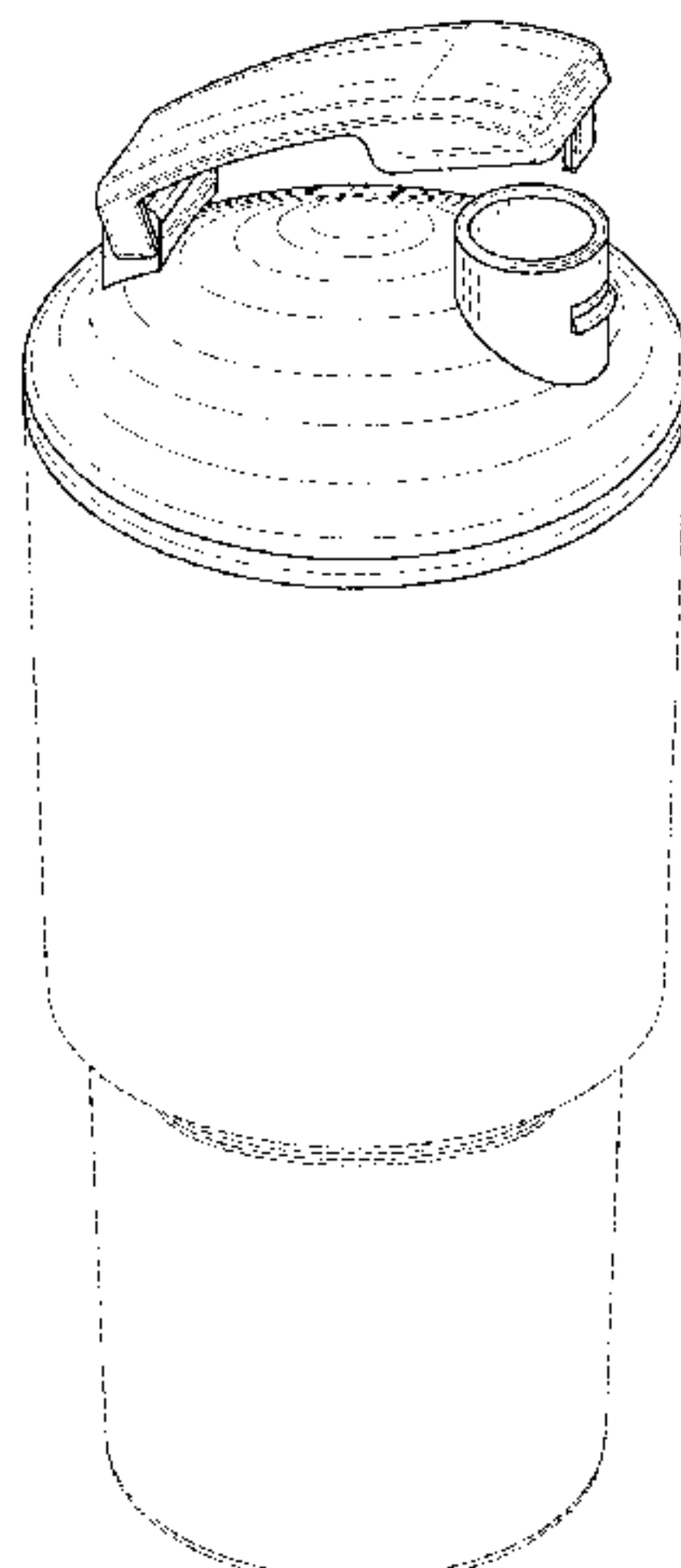
(57) **CLAIM**

The ornamental design for a lid assembly, as shown and described.

DESCRIPTION

FIG. 1 is a front perspective view of the lid assembly of the present design positioned within a tumbler.
FIG. 2 is a front perspective view of the lid assembly, removed from the tumbler for clarity of details;
FIG. 3 is a left side elevation view thereof;
FIG. 4 is a right side elevation view thereof;
FIG. 5 is a front elevation view thereof;
FIG. 6 is a rear elevation view thereof;
FIG. 7 is a top plan view thereof;
FIG. 8 is a bottom plan view thereof; and,
FIG. 9 is an exploded front perspective view thereof.
The broken lines are shown for the purpose of illustrating environmental subject matter and parts of the article that form no part of the claimed design.

1 Claim, 5 Drawing Sheets



(56)

References Cited

U.S. PATENT DOCUMENTS

6,263,923 B1 7/2001 Castillo
 6,681,958 B2 1/2004 Sorenson et al.
 D543,454 S * 5/2007 Leoncavallo D9/449
 7,854,104 B2 12/2010 Cronin et al.
 D634,972 S * 3/2011 Staton D7/392.1
 8,298,174 B2 10/2012 Showers
 D682,612 S * 5/2013 Rzepecki D7/392.1
 D702,489 S * 4/2014 Steel D7/392
 D748,478 S * 2/2016 Sorensen D9/443
 D751,344 S * 3/2016 Charlton D7/300.1
 D807,110 S * 1/2018 Lown D7/391
 D820,635 S * 6/2018 Hammer D7/392.1
 2009/0053366 A1 2/2009 Hurwitz et al.
 2010/0116699 A1 5/2010 Sorenson
 2012/0061398 A1 * 3/2012 Nilsson A47J 43/27
 220/568
 2012/0298614 A1 * 11/2012 Nelson B65D 51/24
 215/308
 2013/0146592 A1 6/2013 Kalaouze
 2014/0233344 A1 8/2014 Aliberti et al.
 2015/0329255 A1 * 11/2015 Rzepecki B65D 43/16
 222/189.06
 2017/0129665 A1 * 5/2017 Rolfes B65D 51/2821
 2017/0196384 A1 * 7/2017 Shen B65D 51/18
 2017/0320643 A1 * 11/2017 Green A47G 19/2272

* cited by examiner

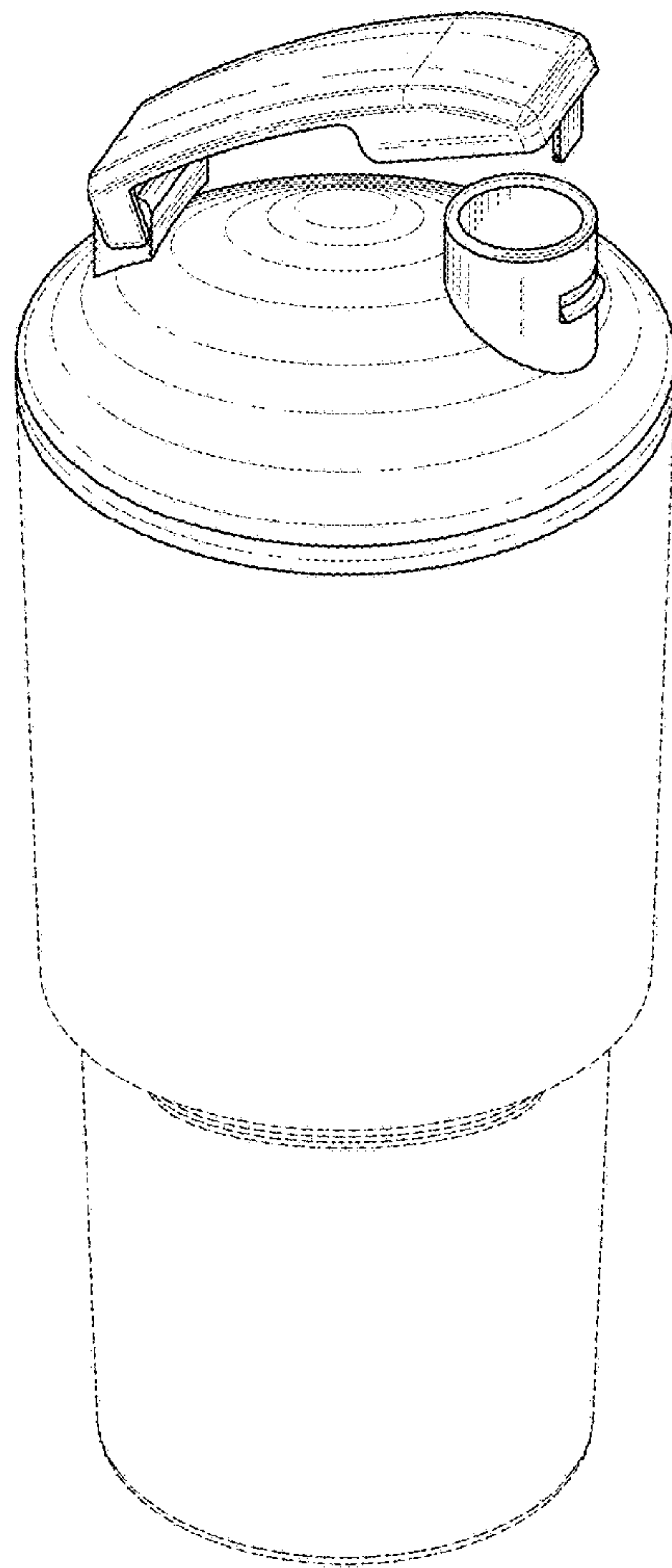


FIG. 1

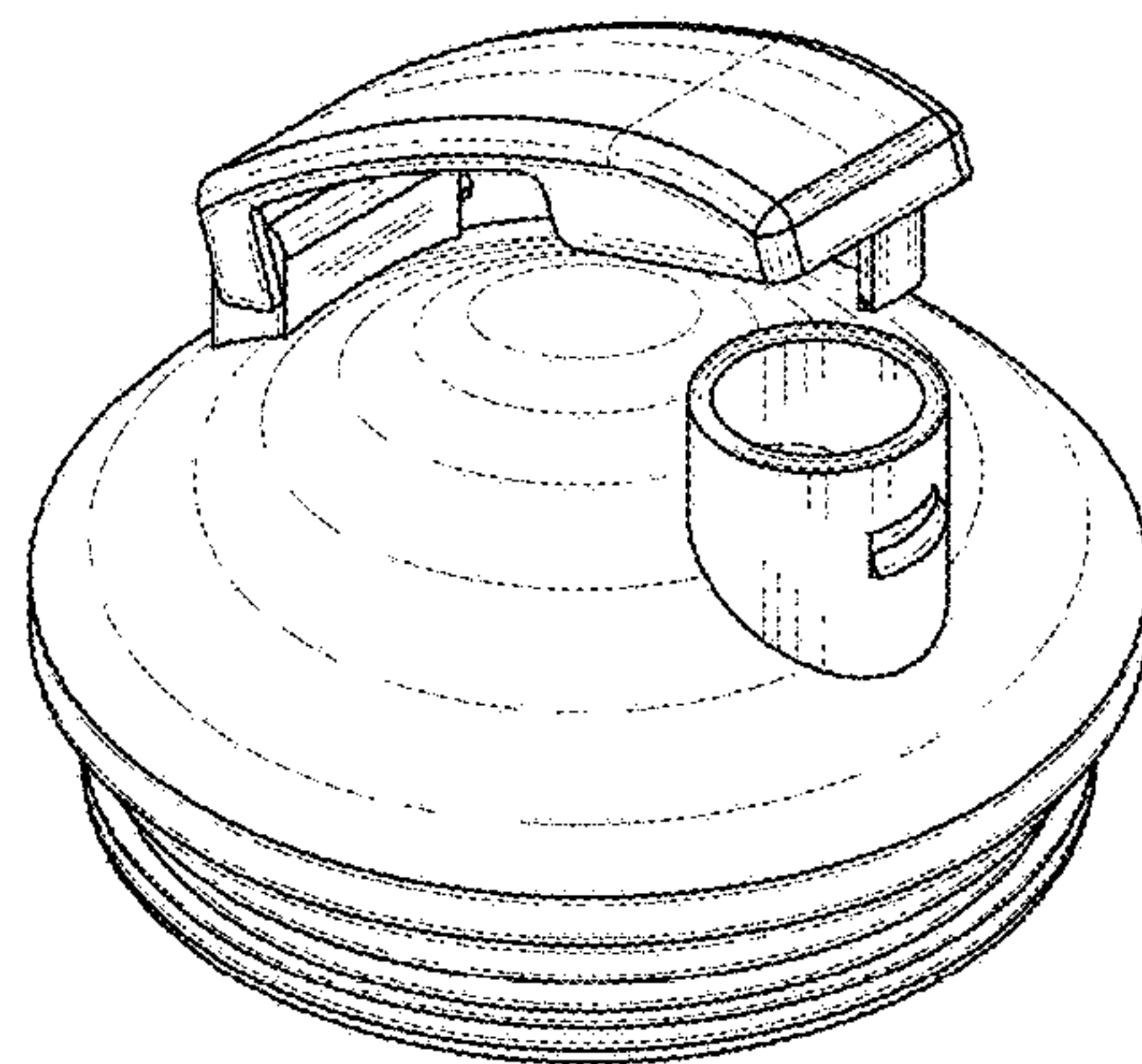


FIG. 2

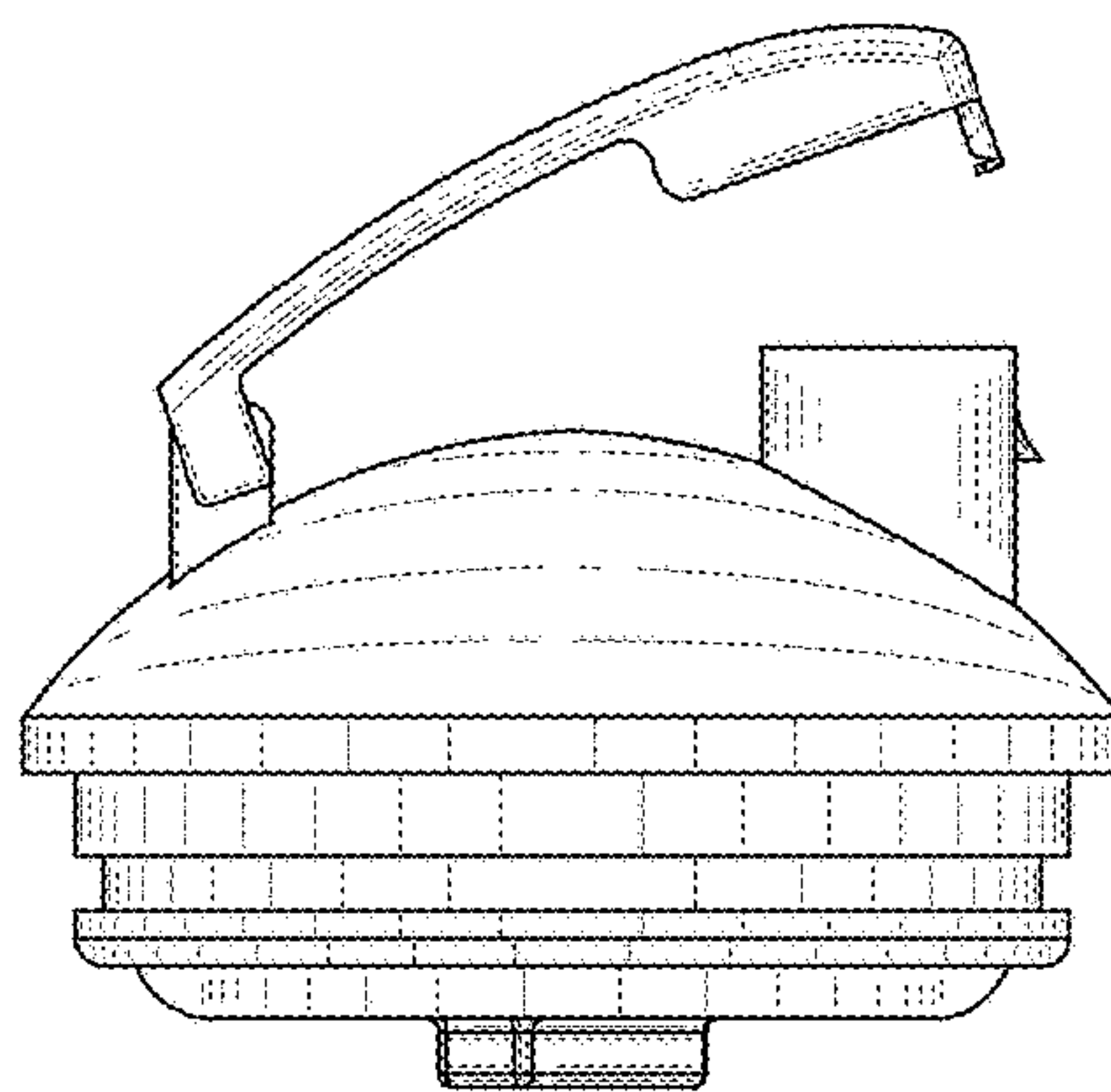


FIG. 3

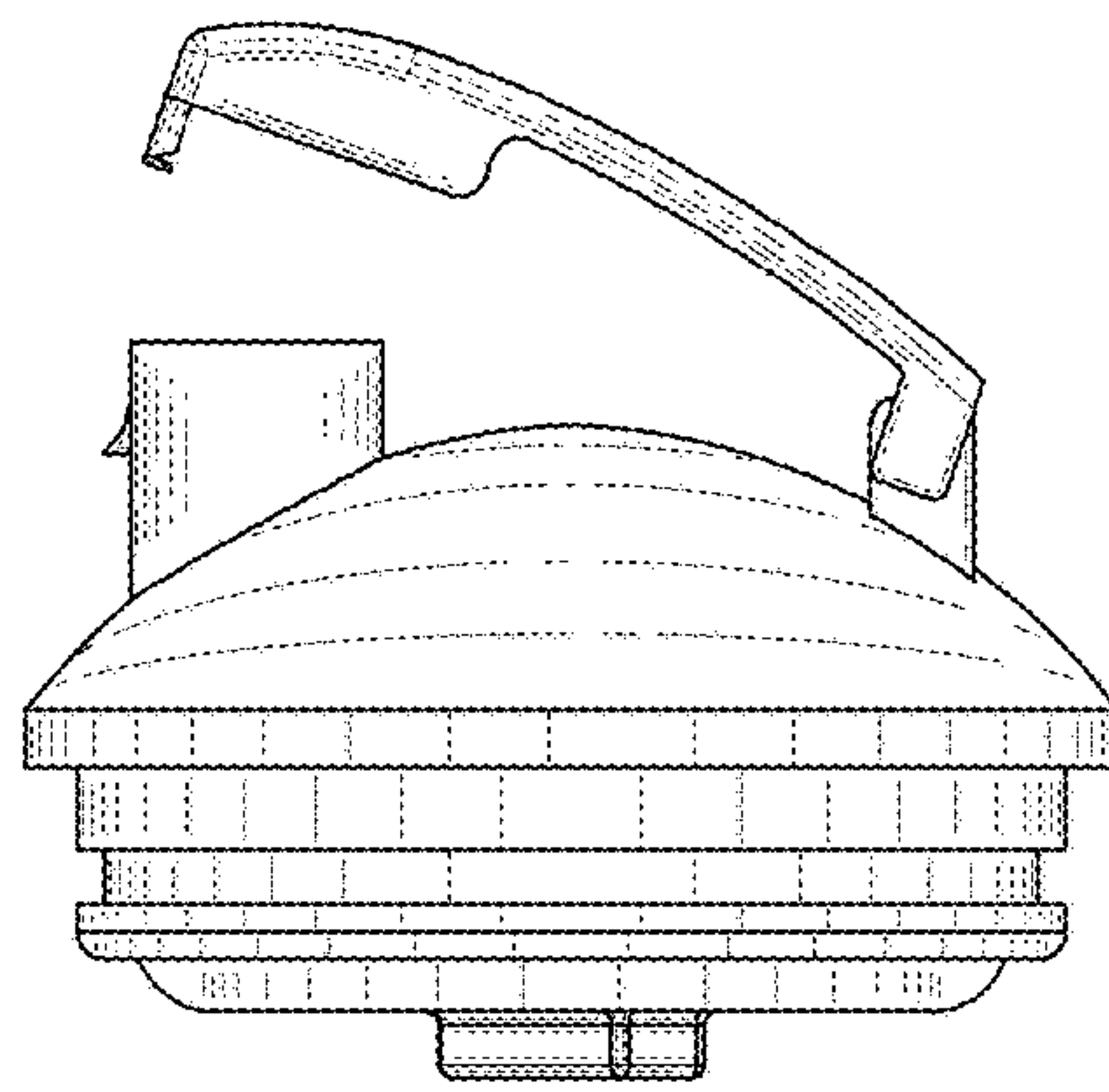


FIG. 4

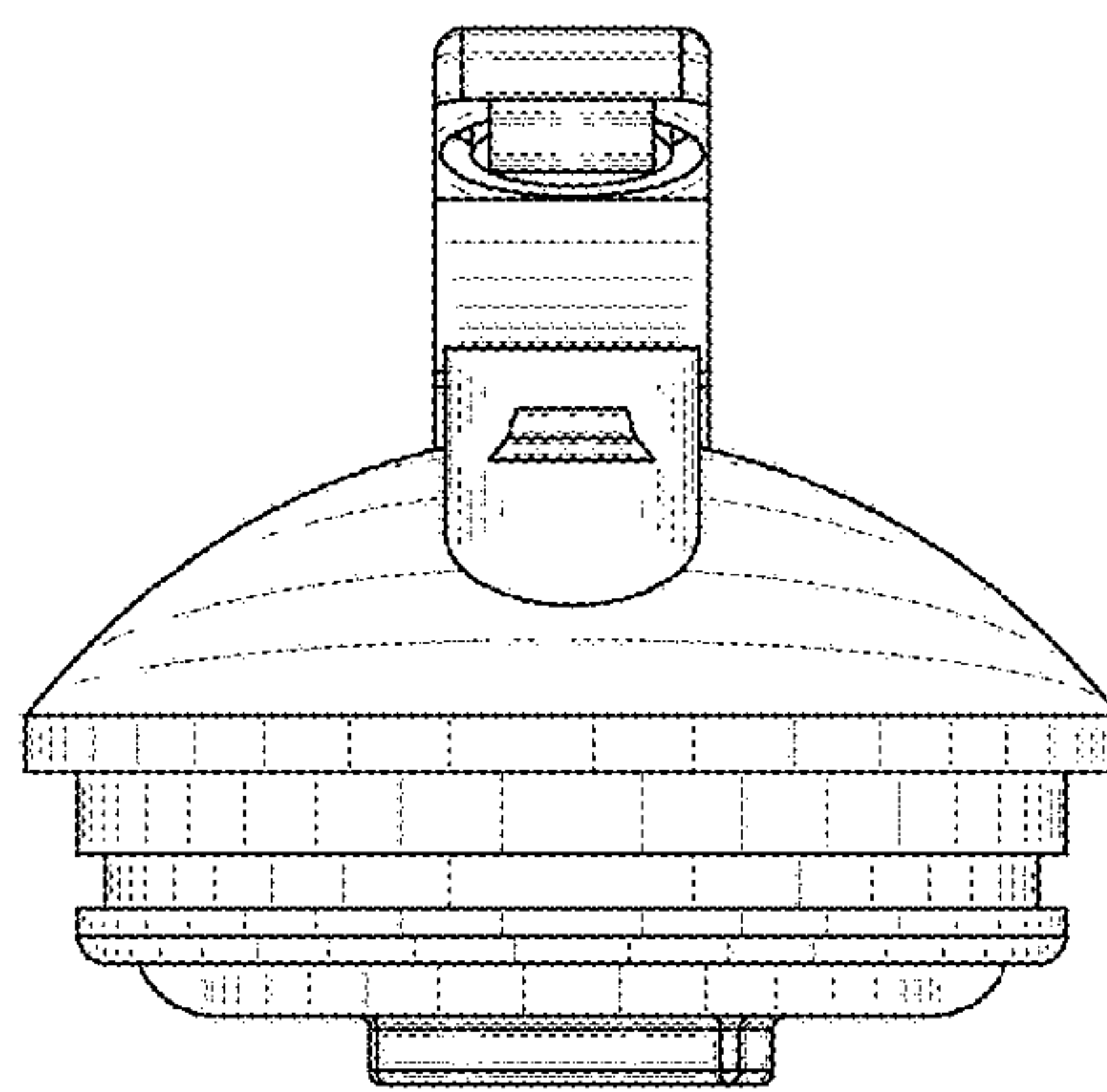


FIG. 5

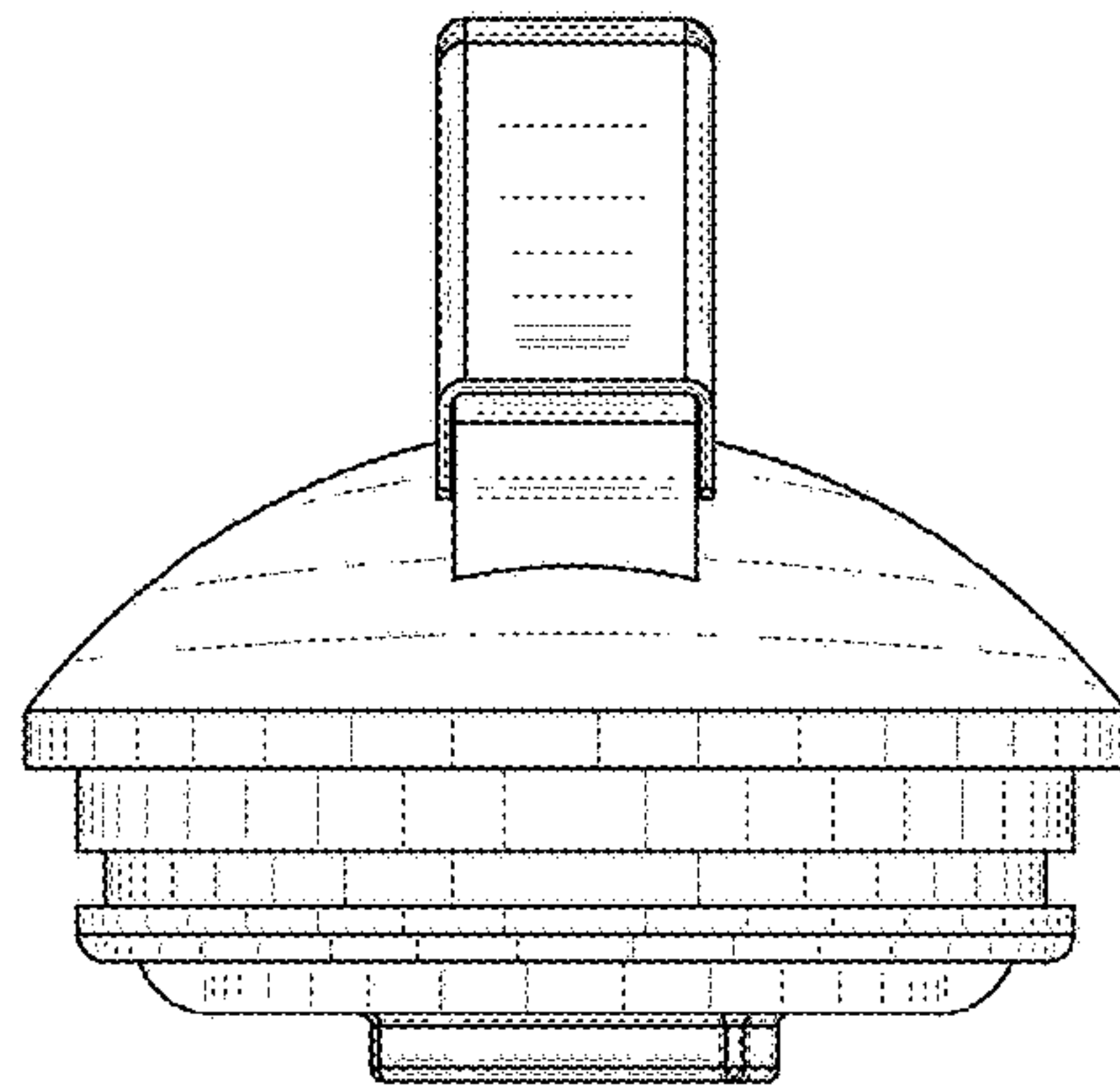


FIG. 6

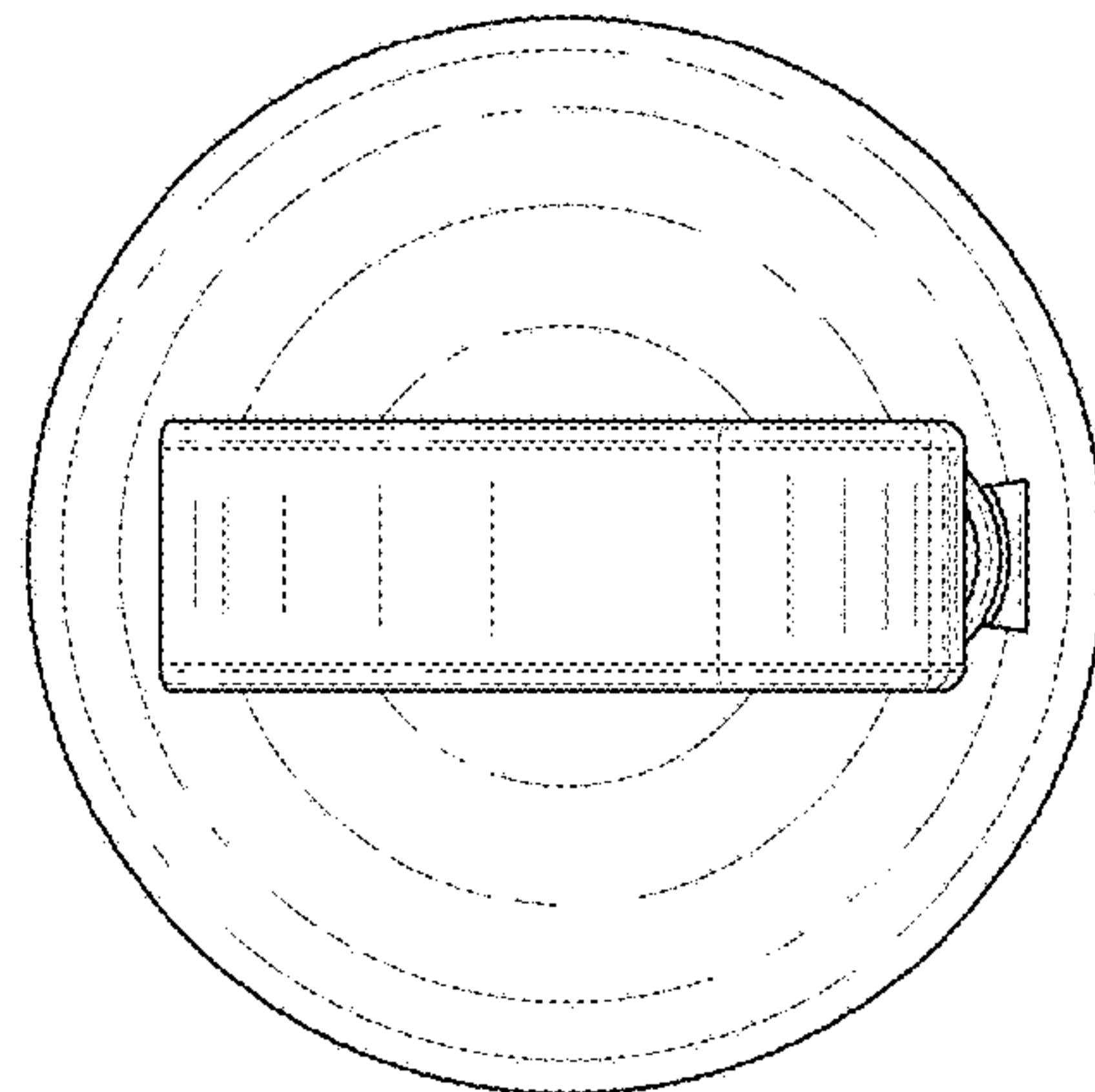


FIG. 7

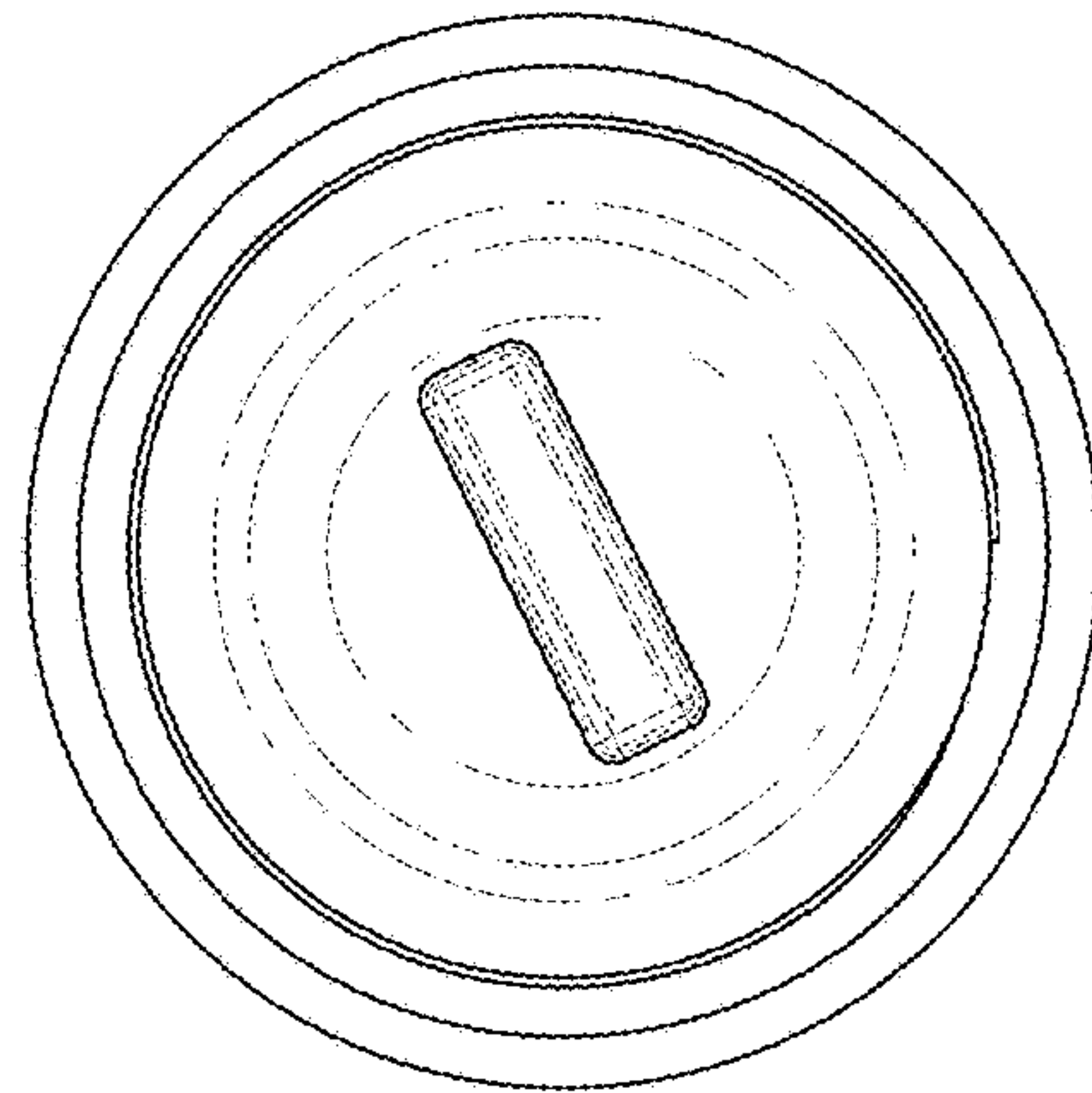


FIG. 8

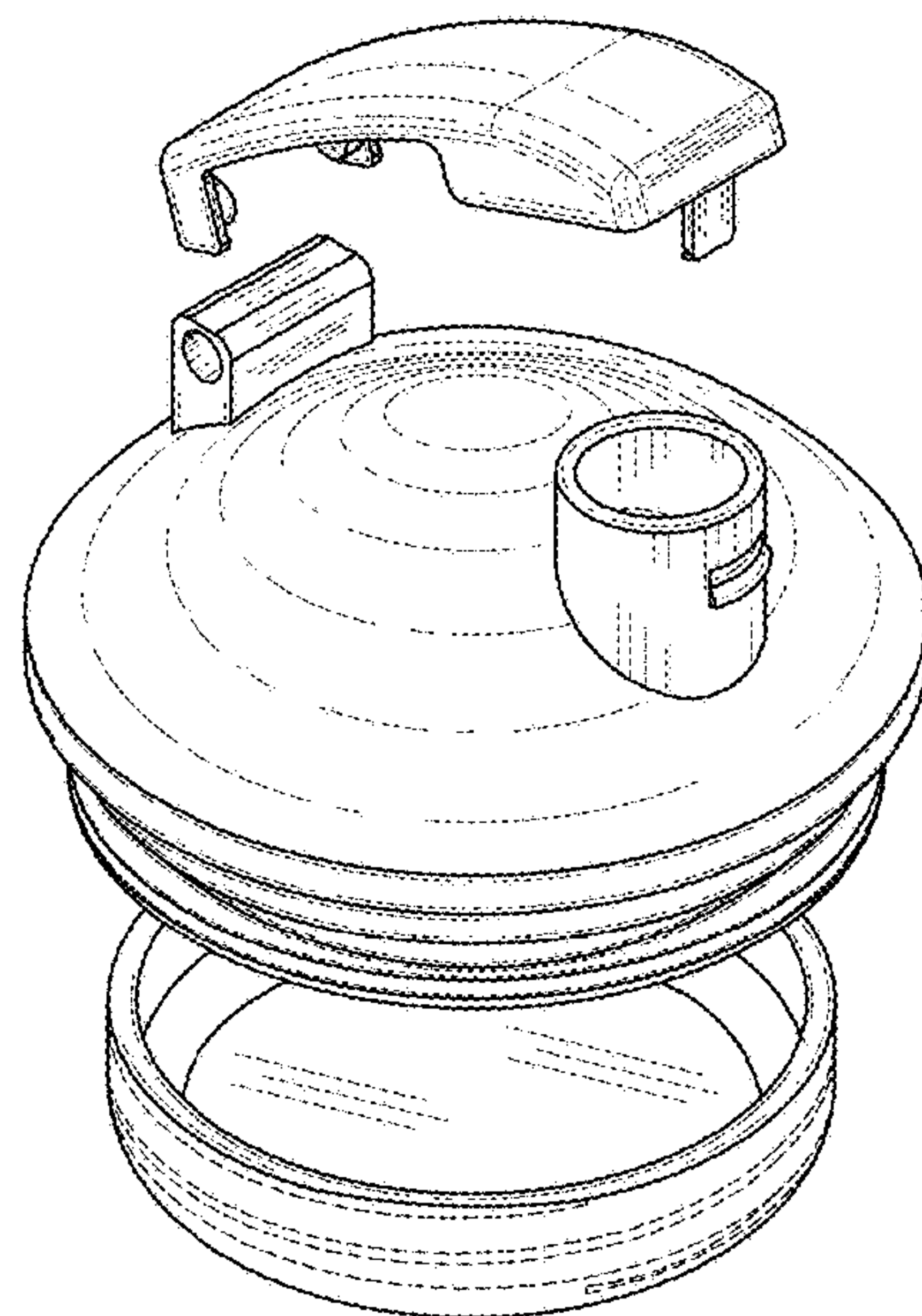


FIG. 9