



US00D852574S

(12) **United States Design Patent**
McConnell et al.

(10) **Patent No.:** **US D852,574 S**
(45) **Date of Patent:** **** Jul. 2, 2019**

(54) **BLENDER ASSEMBLY AND COMPONENTS RELATED THERETO**

(71) Applicant: **WHIRLPOOL CORPORATION**,
Benton Harbor, MI (US)

(72) Inventors: **John W. McConnell**, St. Joseph, MI
(US); **Brandon T. Mock**, St. Joseph,
MI (US)

(73) Assignee: **Whirlpool Corporation**, Benton
Harbor, MI (US)

(**) Term: **15 Years**

(21) Appl. No.: **29/639,761**

(22) Filed: **Mar. 8, 2018**

(51) **LOC (11) Cl.** **31-00**

(52) **U.S. Cl.**
USPC **D7/378**; D7/376; D7/386; D7/412

(58) **Field of Classification Search**
USPC D7/372, 376–386, 412–413, 602, 629,
D7/665–666, 669, 679, 693–694
CPC A21C 1/02; A21C 1/04; A23N 1/00; A23N
1/02; A47J 43/04; A47J 43/25; A47J
43/27; A47J 43/042; A47J 43/044; A47J
43/046; A47J 43/075; A47J 43/0722;
A47J 43/0727; B01F 3/00; B01F 3/0807;
B01F 3/0853; B01F 13/0059; B01F
13/0064; B02C 1/08; B02C 2/04; B02C
4/42; B02C 4/142; B02C 4/143; B02C
4/423; B02C 13/1835; B28C 5/10; B28C
5/12; B28C 5/14; B28C 5/16
See application file for complete search history.

(56) **References Cited**

U.S. PATENT DOCUMENTS

D176,257 S 12/1955 Hill et al.
D181,541 S * 11/1957 Madl D7/378
D187,684 S 4/1960 Hauser et al.

D200,494 S * 3/1965 Bezark D7/378
D287,327 S 12/1986 Cavalli
D310,153 S 8/1990 Kaiser
D424,865 S 5/2000 Crescenzi et al.
D444,995 S 7/2001 Thackray
D484,357 S 12/2003 Seum et al.
D488,344 S 4/2004 Seum et al.
D502,047 S 2/2005 Ledingham et al.
D502,842 S 3/2005 Hallar
D526,531 S 8/2006 Drees et al.
D533,395 S 12/2006 Drees et al.
D547,601 S 7/2007 Ting et al.
D552,412 S 10/2007 Steiner

(Continued)

Primary Examiner — Ricky Pham

(74) *Attorney, Agent, or Firm* — Price Heneveld LLP

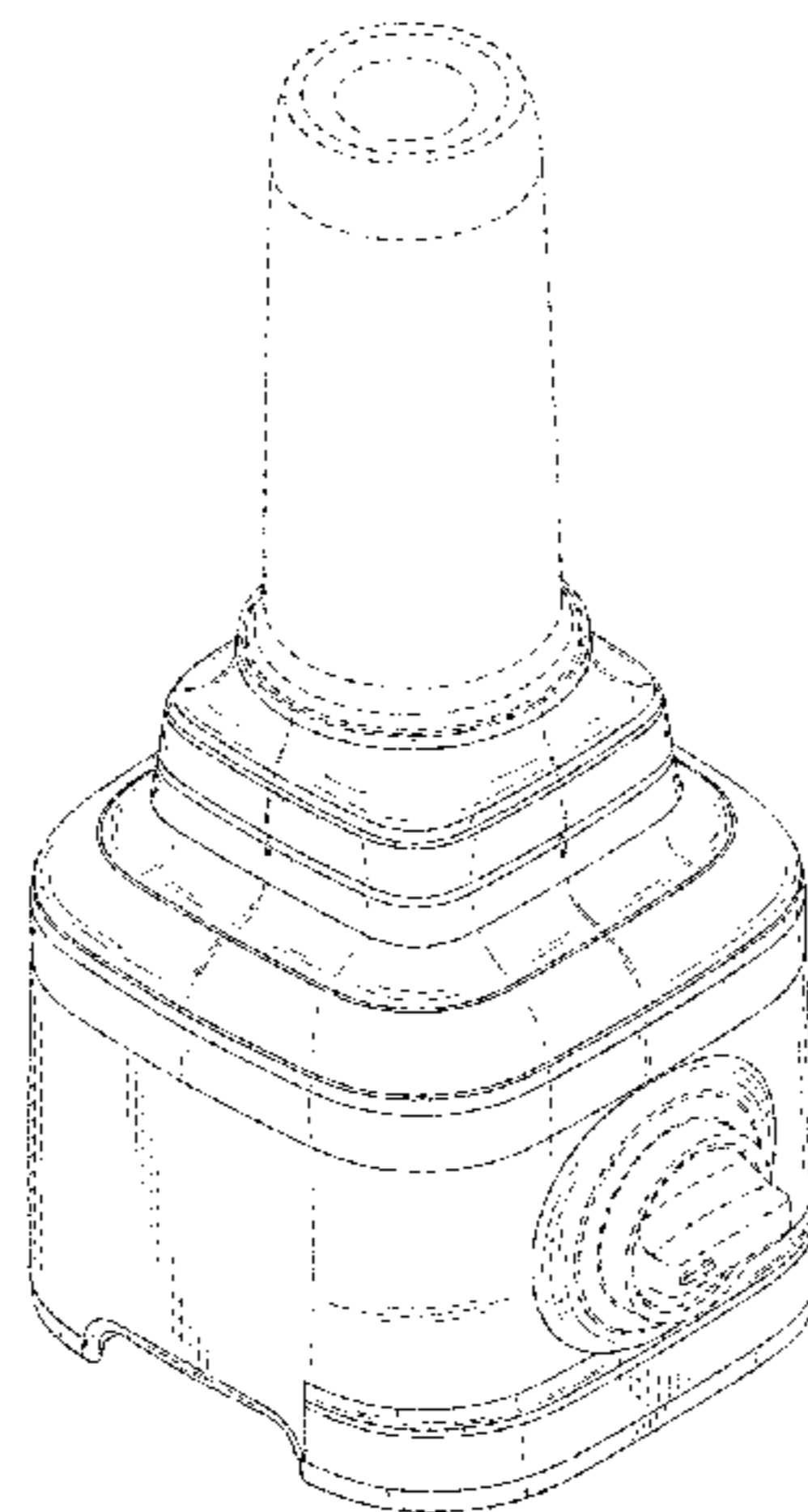
(57) **CLAIM**

We claim the ornamental design for a blender assembly and components related thereto, as shown and described.

DESCRIPTION

FIG. 1 is a front top perspective view of a blender assembly of the present disclosure;
FIG. 2 is a rear top perspective view of the blender assembly of FIG. 1;
FIG. 3 is a front elevational view of the blender assembly of FIG. 1;
FIG. 4 is a rear elevational view of the blender assembly of FIG. 1;
FIG. 5 is a first side elevational view of the blender assembly of FIG. 1;
FIG. 6 is a second side elevational view of the blender assembly of FIG. 1;
FIG. 7 is a top plan view of the blender assembly of FIG. 1;
and,
FIG. 8 is a bottom plan view of the blender assembly of FIG. 1.
The broken lines depict portions of the article that form no part of the claimed design.

1 Claim, 8 Drawing Sheets



(56)

References Cited

U.S. PATENT DOCUMENTS

| | | | | | | |
|------------|---------|----------------|--------------|---------|------------------|--------|
| D577,257 S | 9/2008 | Kuan | D694,583 S | 12/2013 | Norland | |
| D577,537 S | 9/2008 | Lee | D702,993 S | 4/2014 | Lownds | |
| D578,341 S | 10/2008 | Picozza et al. | D711,682 S | 8/2014 | Norland et al. | |
| D587,064 S | 2/2009 | Mark | D731,234 S | 6/2015 | Weaden et al. | |
| D594,697 S | 6/2009 | Lavy | D731,236 S | 6/2015 | Yin | |
| D605,462 S | 12/2009 | Picozza et al. | D739,679 S | 9/2015 | Benoit et al. | |
| D616,244 S | 5/2010 | Thai et al. | D747,135 S | 1/2016 | Ha | |
| D617,136 S | 6/2010 | Bock et al. | D755,004 S | 5/2016 | Bock et al. | |
| D631,282 S | 1/2011 | Ferraby | D761,617 S * | 7/2016 | Dennisur | D7/376 |
| D637,870 S | 5/2011 | Bock | D769,061 S * | 10/2016 | Diderotto | D7/376 |
| D642,858 S | 8/2011 | Lazzer | D770,226 S | 11/2016 | McConnell et al. | |
| D644,480 S | 9/2011 | Czach et al. | D772,008 S | 11/2016 | McConnell et al. | |
| D667,683 S | 9/2012 | Czach et al. | D772,009 S | 11/2016 | McConnell et al. | |
| D670,531 S | 11/2012 | Carlson | D781,098 S * | 3/2017 | Bond | D7/376 |
| D683,180 S | 5/2013 | Carlson | D784,071 S * | 4/2017 | Davies | D7/376 |
| D694,572 S | 12/2013 | Kobos et al. | D786,613 S * | 5/2017 | McConnell | D7/376 |
| D694,573 S | 12/2013 | Norland et al. | D794,381 S * | 8/2017 | McConnell | D7/376 |
| D694,574 S | 12/2013 | Norland et al. | D798,653 S * | 10/2017 | Fan | D7/386 |
| D694,582 S | 12/2013 | Norland | D811,806 S * | 3/2018 | Bock | D7/386 |
| | | | D815,887 S * | 4/2018 | Huang | D7/378 |
| | | | D828,080 S * | 9/2018 | Ou | D7/376 |
| | | | D829,496 S * | 10/2018 | Kim | D7/378 |

* cited by examiner

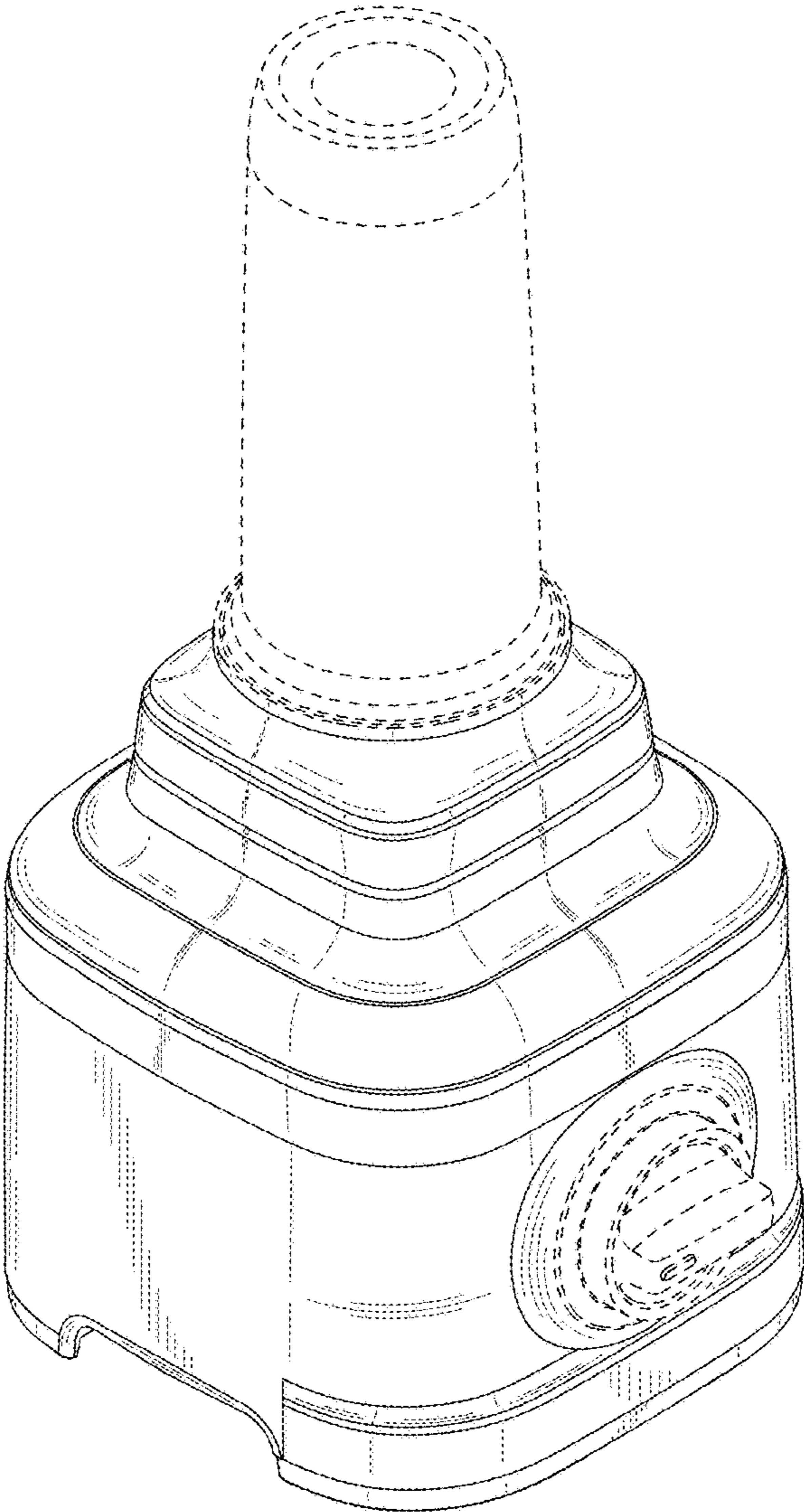


FIG. 1

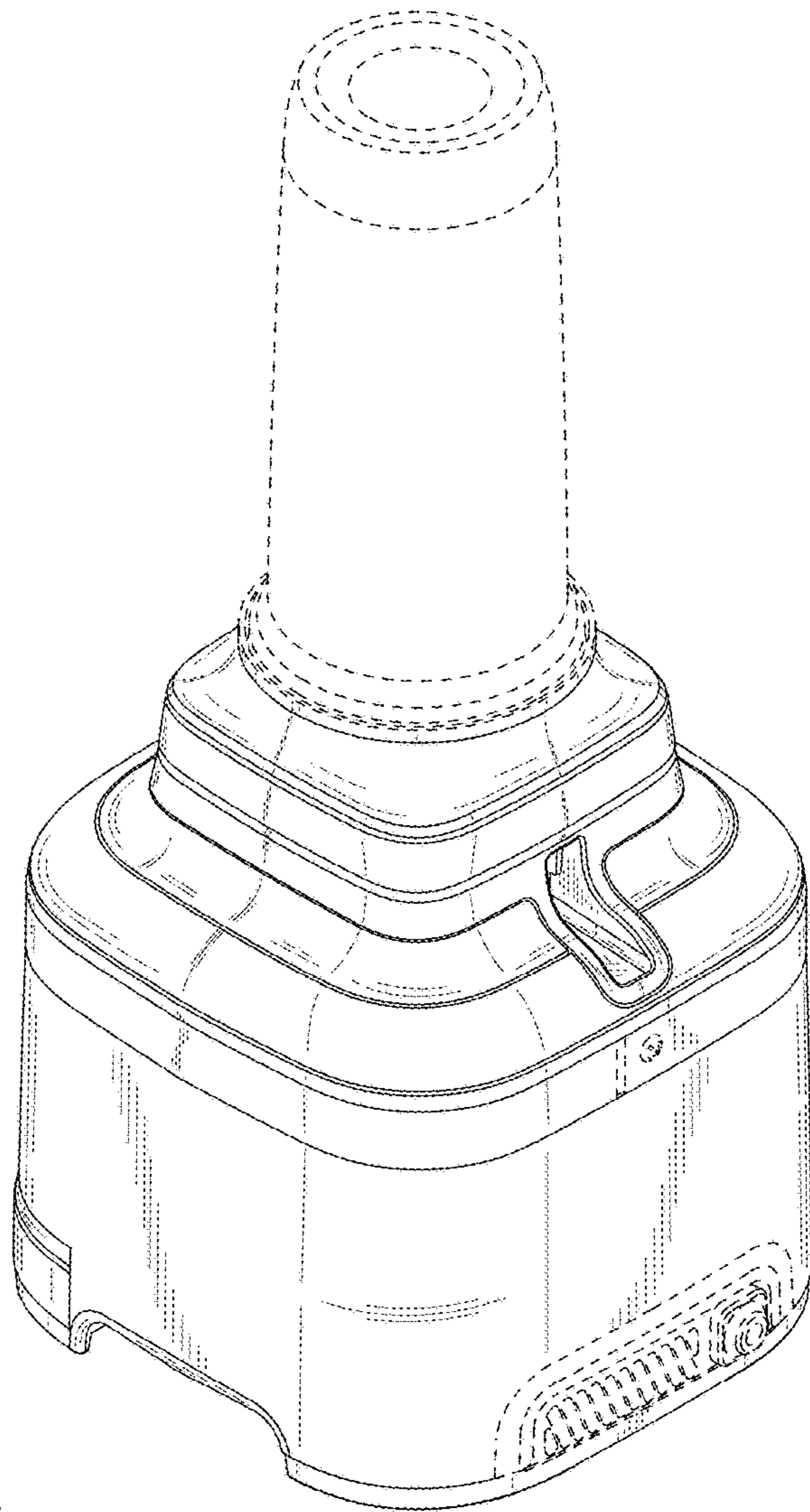


FIG. 2

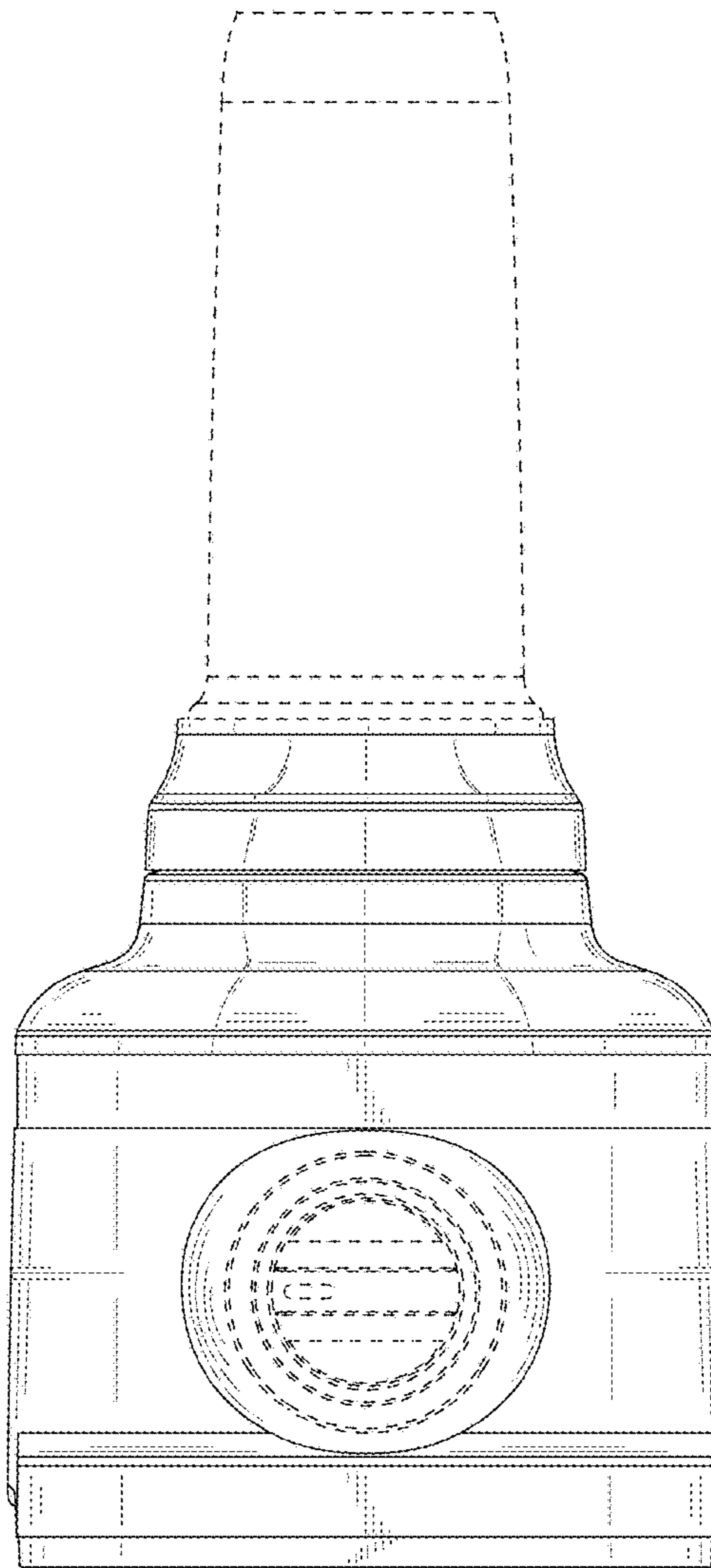


FIG. 3

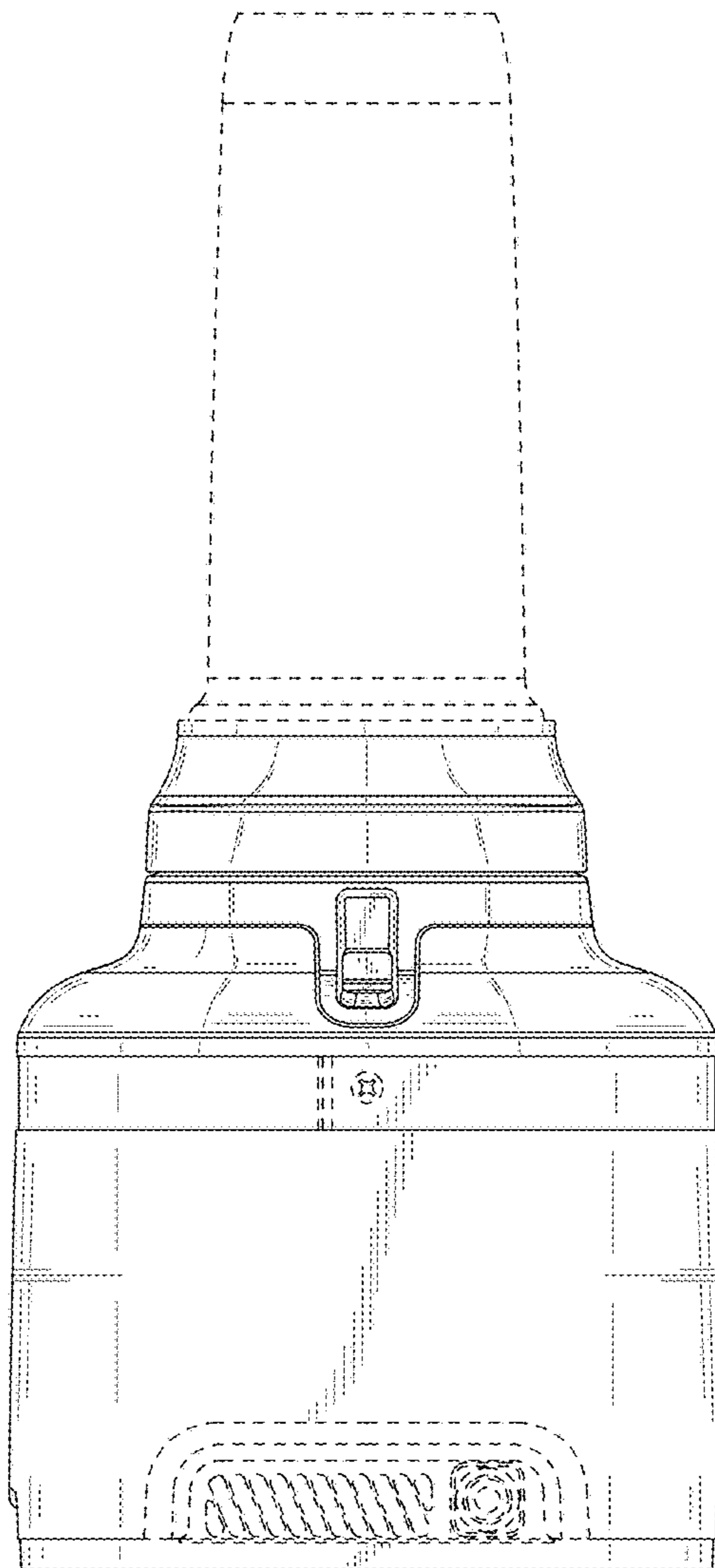


FIG. 4

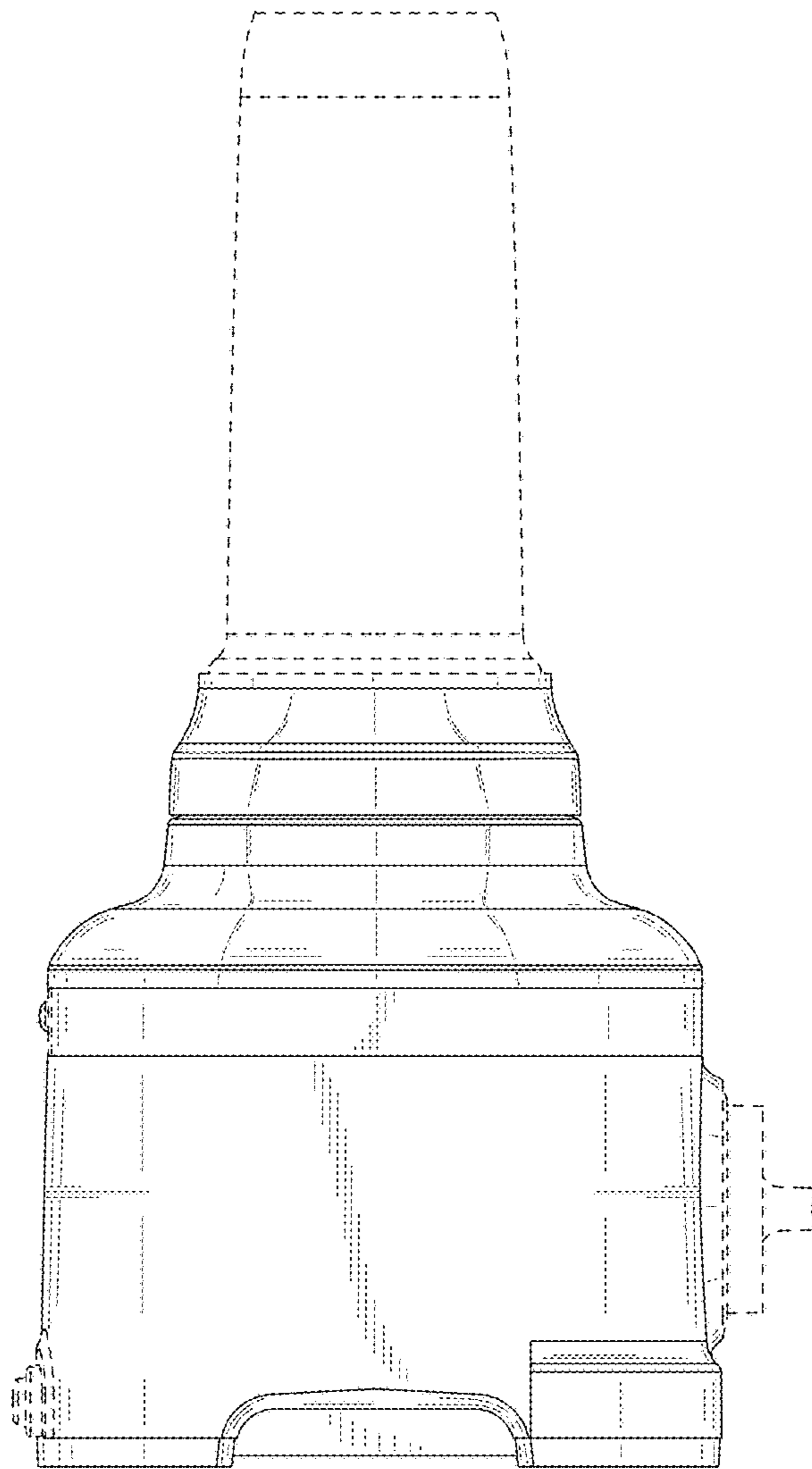


FIG. 5

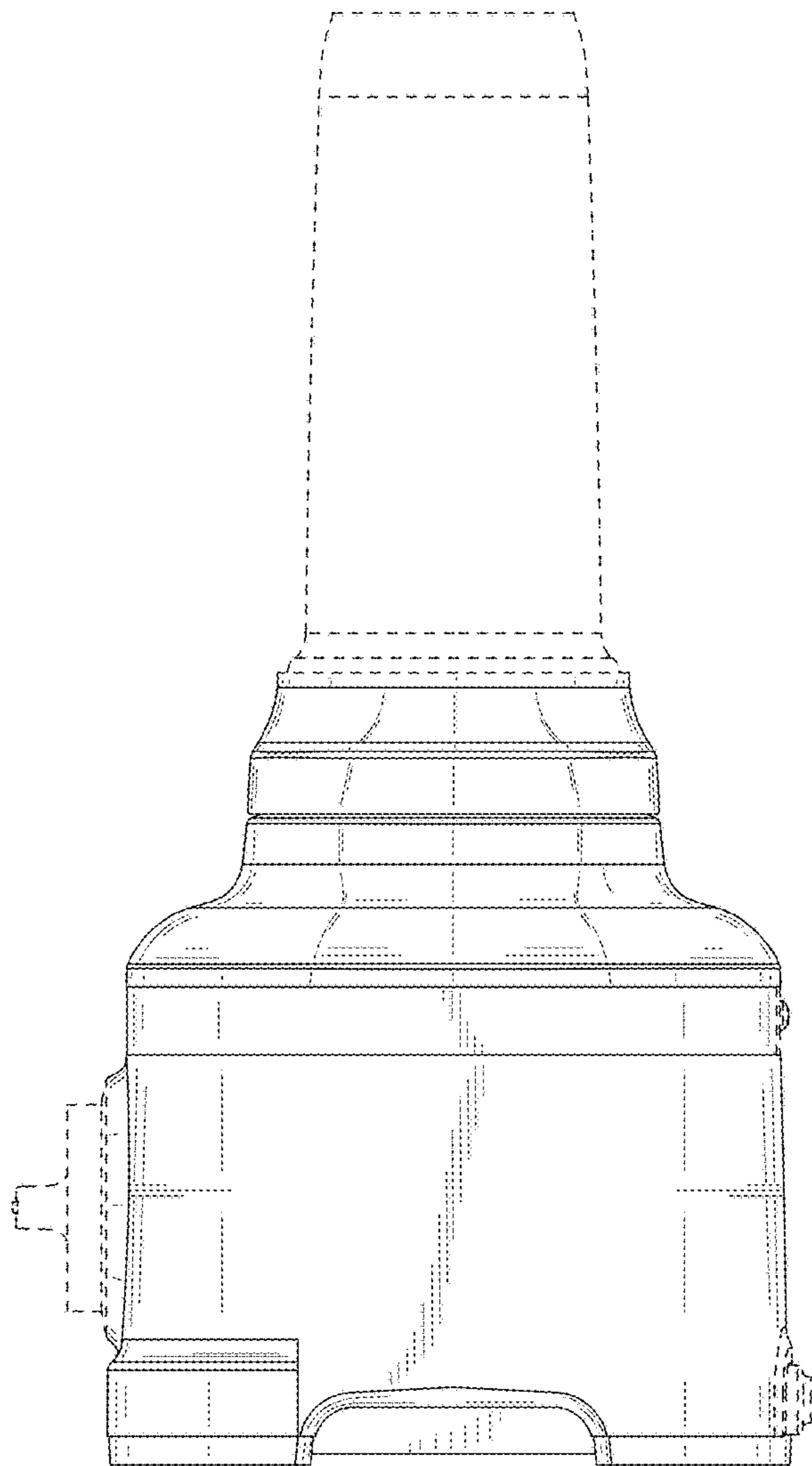


FIG. 6

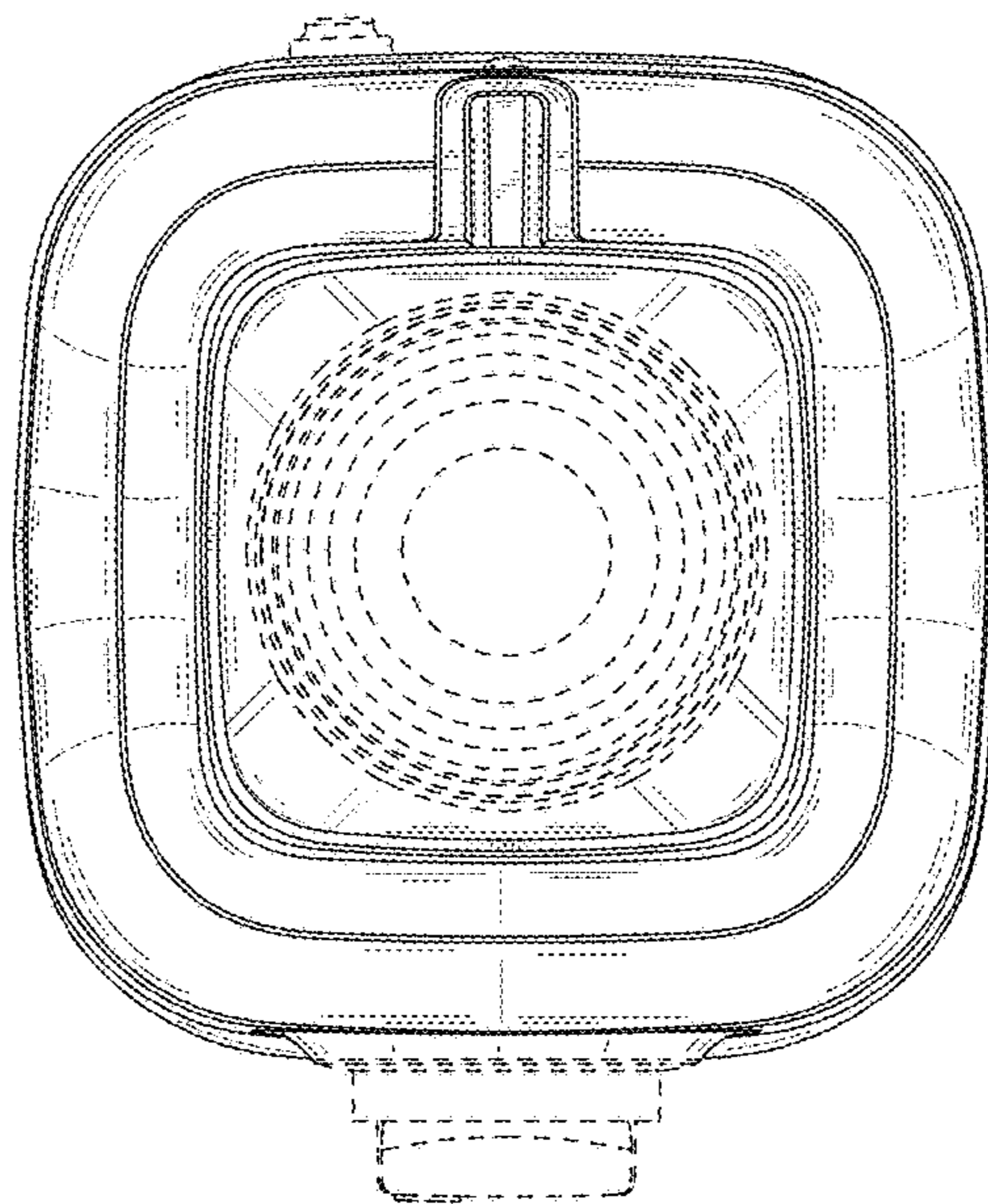


FIG. 7

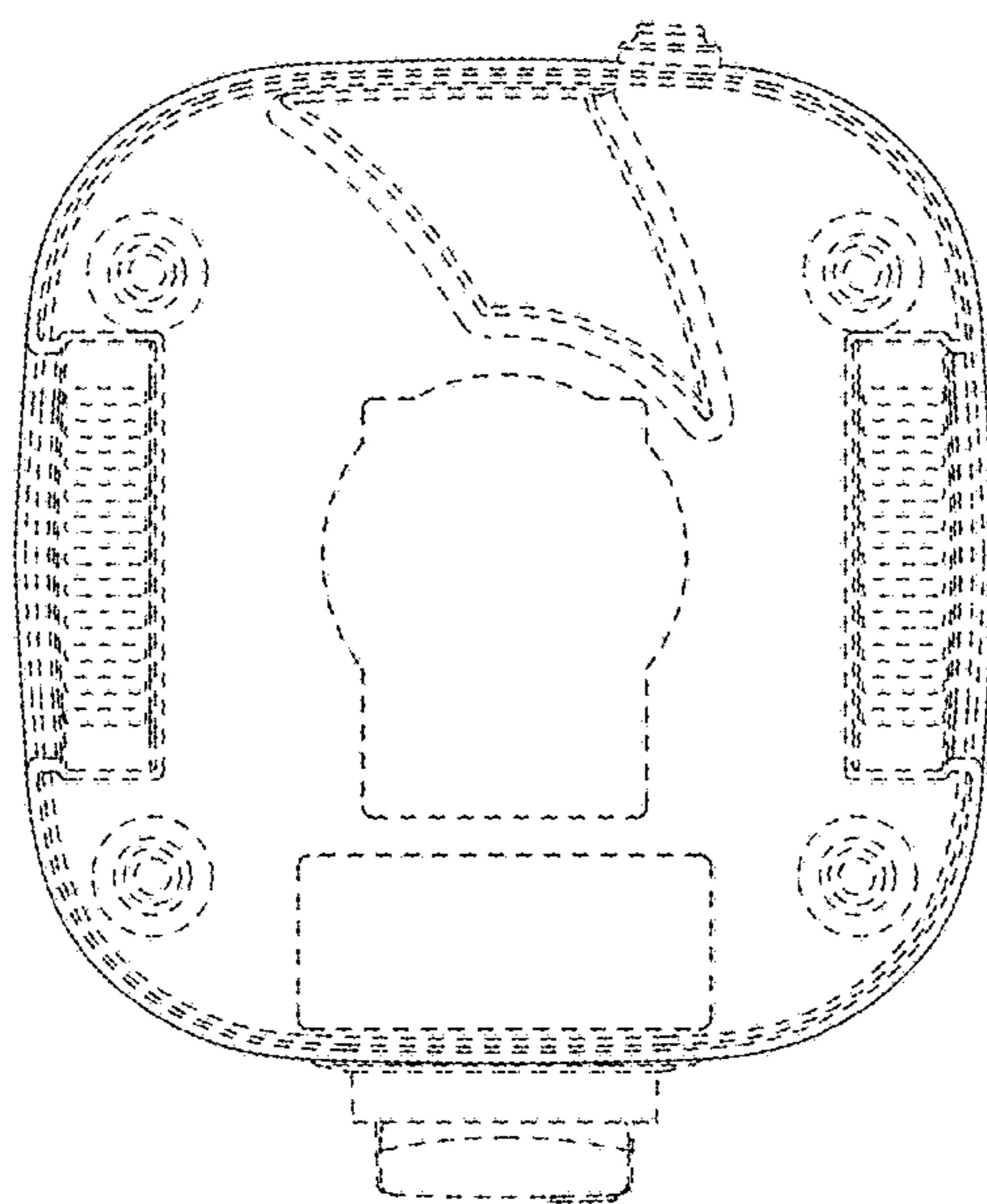


FIG. 8