



US00D852570S

(12) **United States Design Patent**  
**Giebel et al.**

(10) **Patent No.:** **US D852,570 S**

(45) **Date of Patent:** **\*\* Jul. 2, 2019**

(54) **COMBINATION GRILL AND SMOKER**

(71) Applicant: **Masterbuilt Manufacturing, LLC**,  
Columbus, GA (US)

(72) Inventors: **Michael R. Giebel**, Joplin, MO (US);  
**Paul J. Simon**, Elizabethtown, KY  
(US)

(73) Assignee: **Masterbuilt Manufacturing, LLC**,  
Columbus, GA (US)

(\*\*) Term: **15 Years**

(21) Appl. No.: **29/611,651**

(22) Filed: **Jul. 24, 2017**

(51) **LOC (11) Cl.** ..... **07-02**

(52) **U.S. Cl.**  
USPC ..... **D7/334**

(58) **Field of Classification Search**  
USPC ..... D7/332-337, 351-353, 402-409  
CPC ..... A47J 37/07-0781; A47J 37/0786; A47J  
33/00; A23B 4/044-056  
See application file for complete search history.

(56) **References Cited**

**U.S. PATENT DOCUMENTS**

D295,136 S \* 4/1988 Cox, Jr. .... D7/334  
D323,444 S \* 1/1992 Masters ..... D7/332  
6,039,039 A \* 3/2000 Pina, Jr. .... A23B 4/052  
126/25 R  
D456,202 S \* 4/2002 McNair ..... D7/332

D636,217 S \* 4/2011 Slater ..... D7/334  
D736,026 S \* 8/2015 Kam ..... D7/334  
2002/0020405 A1\* 2/2002 Coleman ..... A47J 37/0704  
126/41 R  
2008/0098906 A1\* 5/2008 Davis ..... A23B 4/044  
99/482  
2010/0242943 A1\* 9/2010 Laporta ..... A47J 37/0704  
126/25 B  
2013/0312732 A1\* 11/2013 Brennan ..... A47J 37/07  
126/25 R

\* cited by examiner

*Primary Examiner* — Brett Miller

(74) *Attorney, Agent, or Firm* — Smith, Gambrell &  
Russell, LLP

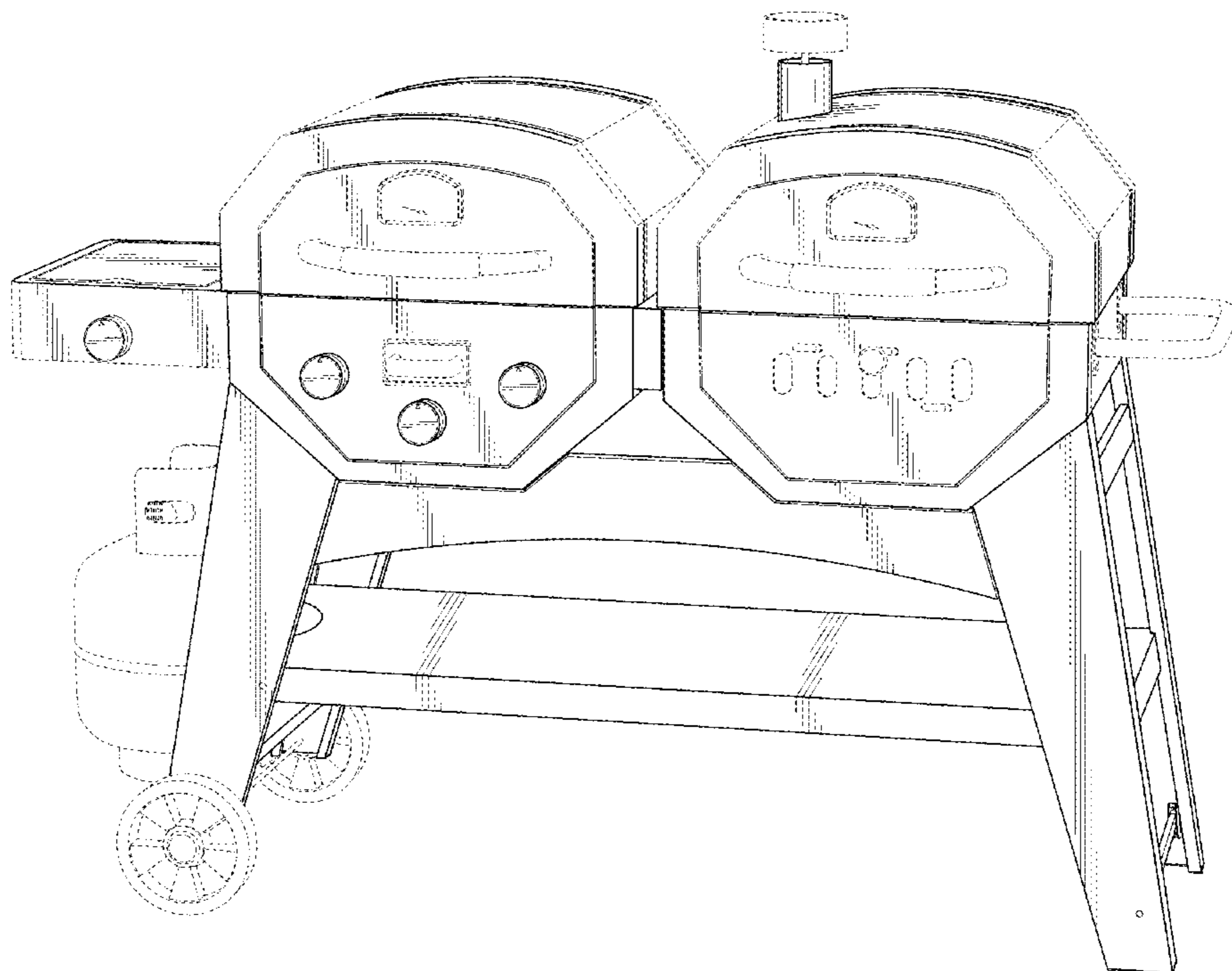
(57) **CLAIM**

The ornamental design for a combination grill and smoker,  
as shown and described.

**DESCRIPTION**

FIG. 1 is a front perspective view of a combination grill and  
smoker;  
FIG. 2 is a front view thereof;  
FIG. 3 is a back view thereof;  
FIG. 4 is a left side view thereof;  
FIG. 5 is a right side view thereof; and,  
FIG. 6 is a top view thereof.  
The broken lines immediately adjacent the shaded areas  
represent the bounds of the claimed design while all other  
broken lines are directed to environment and are for illus-  
trative purposes only; the broken lines form no part of the  
claimed design.

**1 Claim, 5 Drawing Sheets**



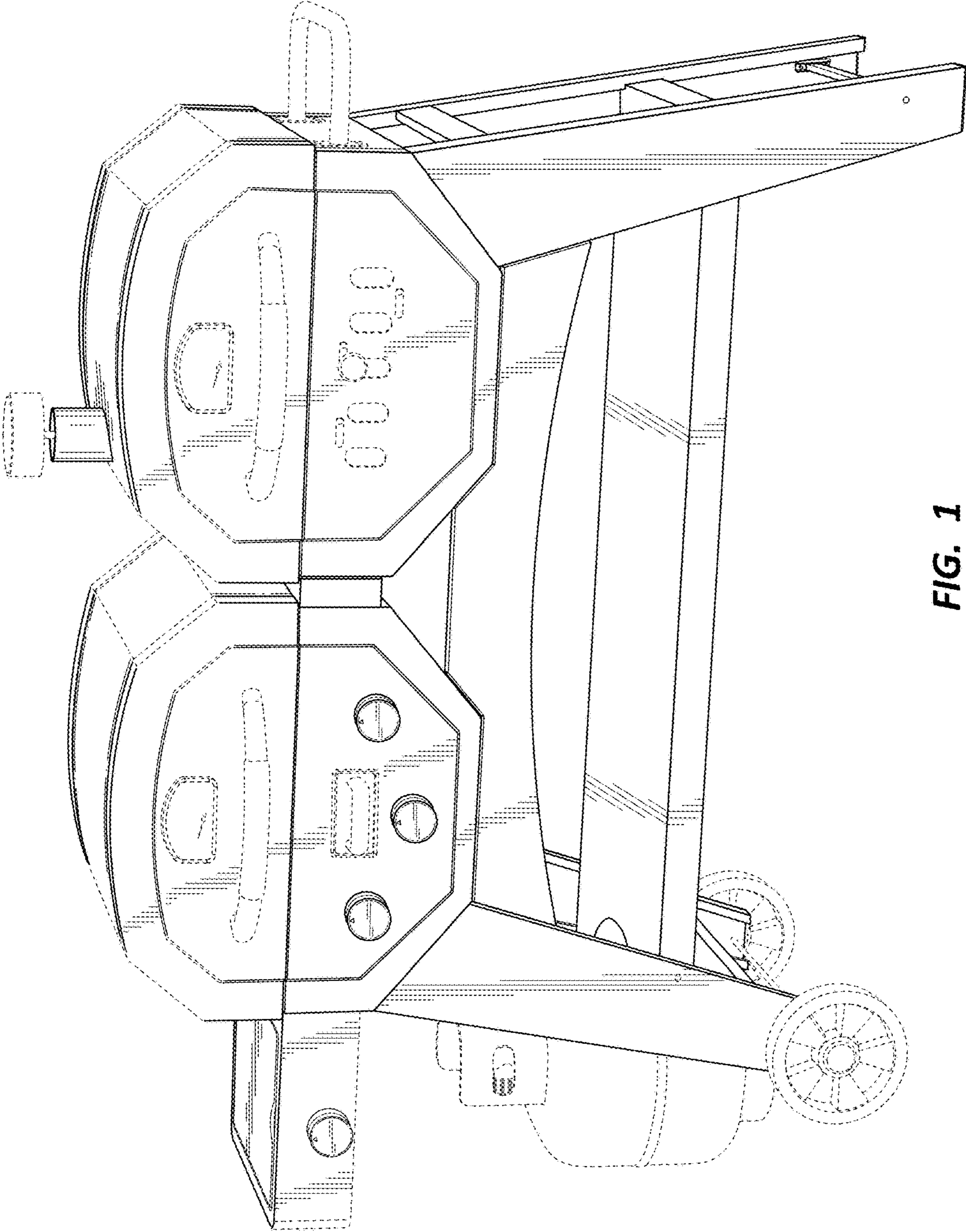


FIG. 1

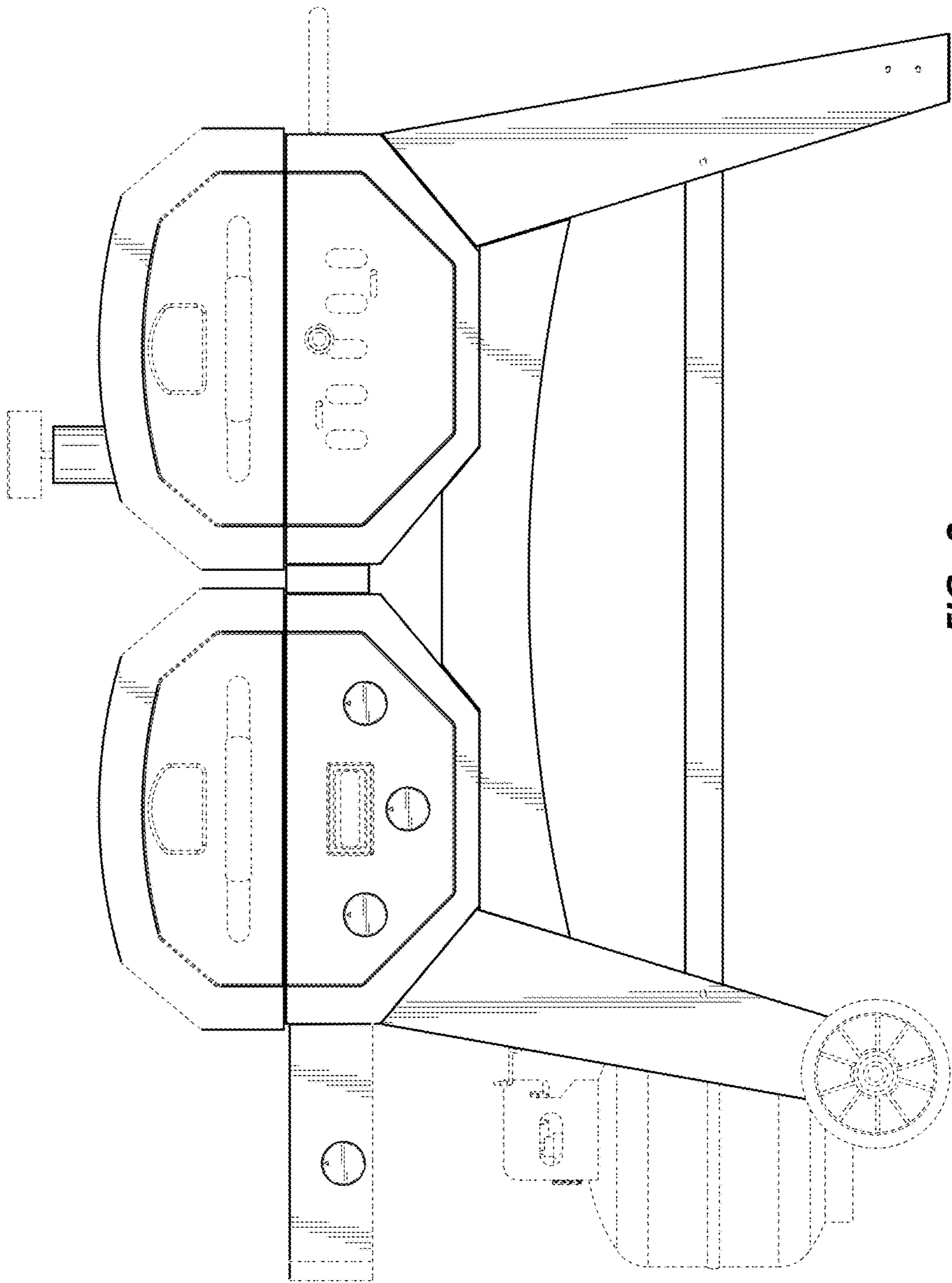


FIG. 2

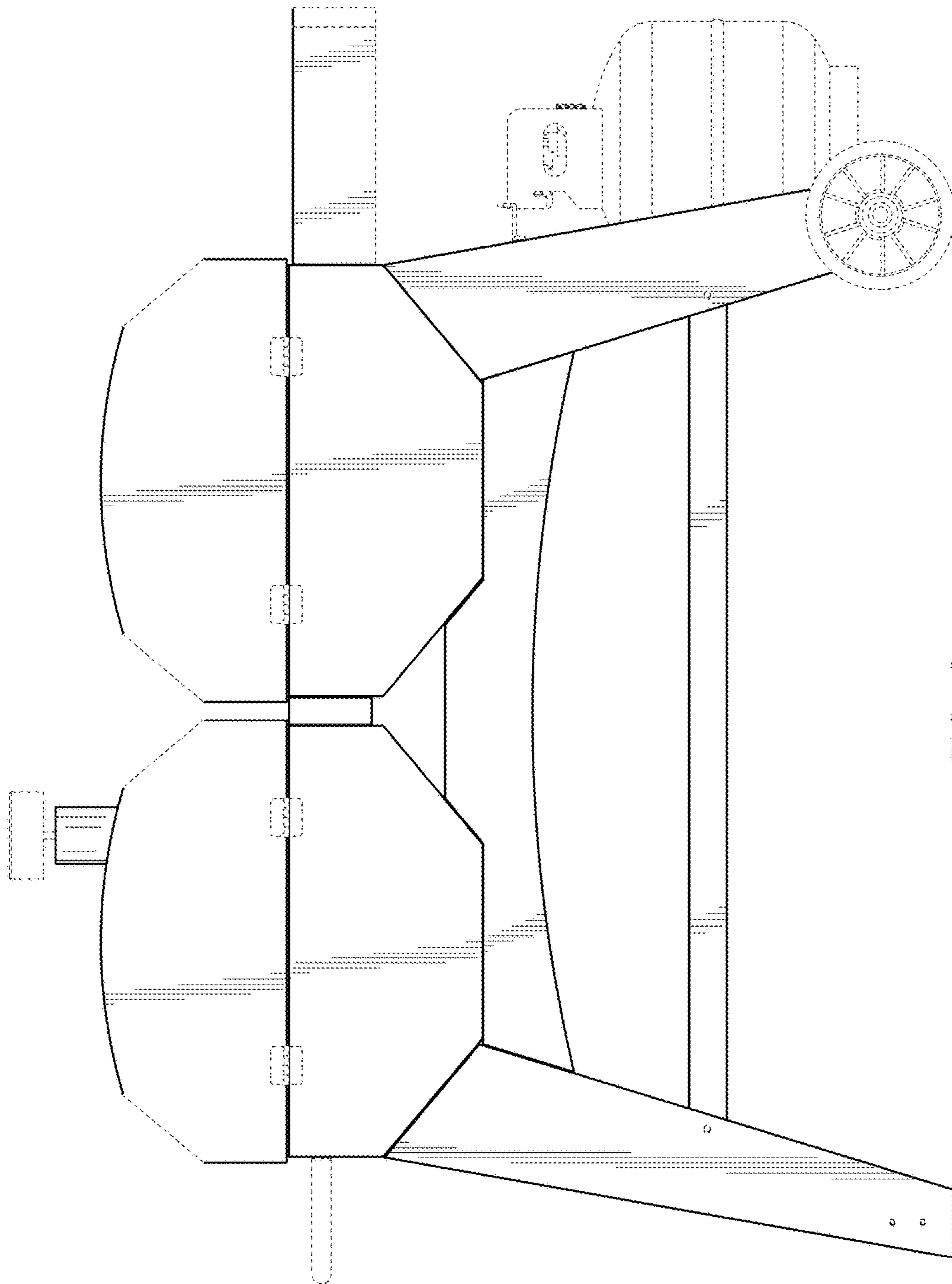


FIG. 3

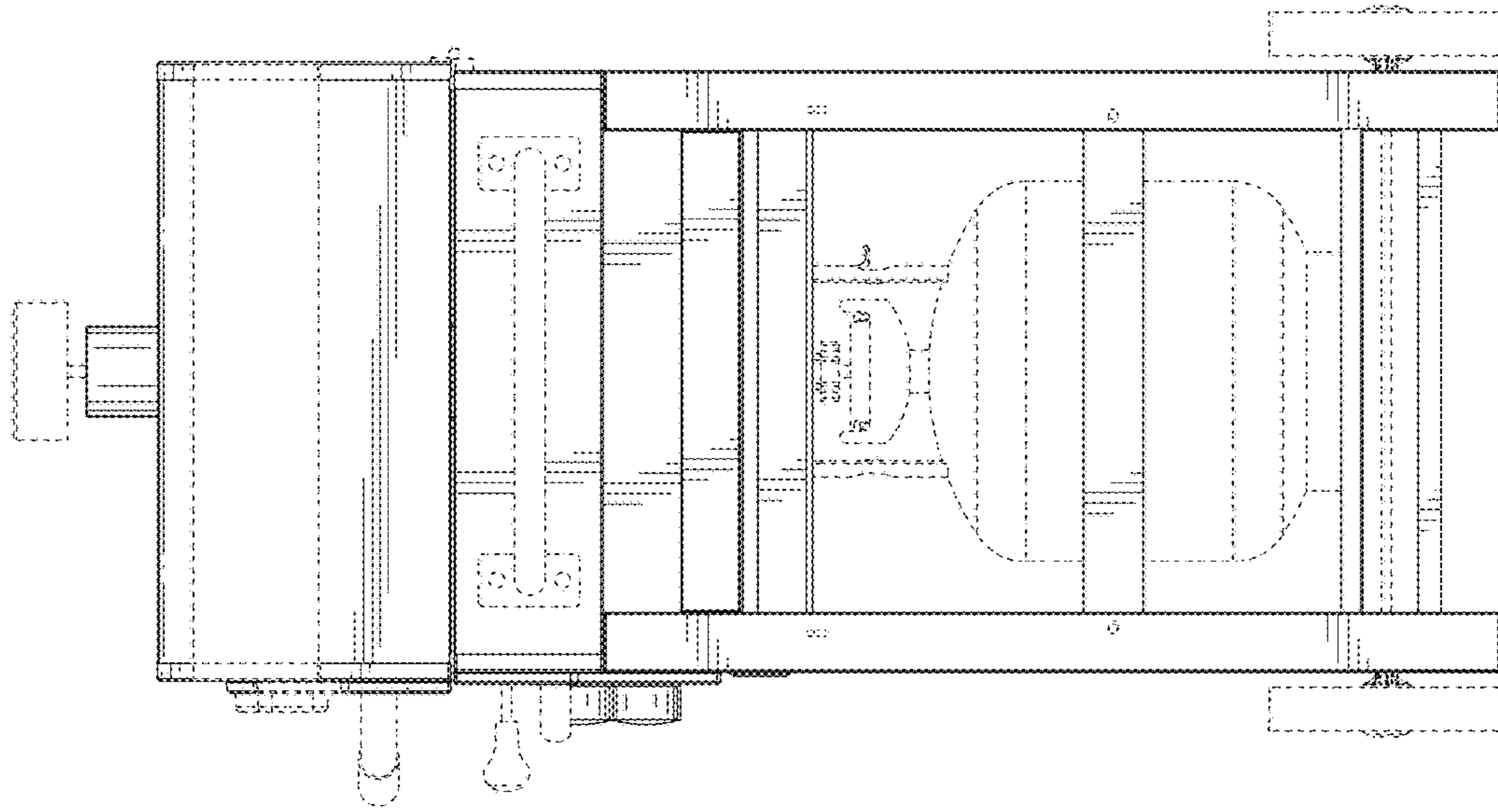


FIG. 5

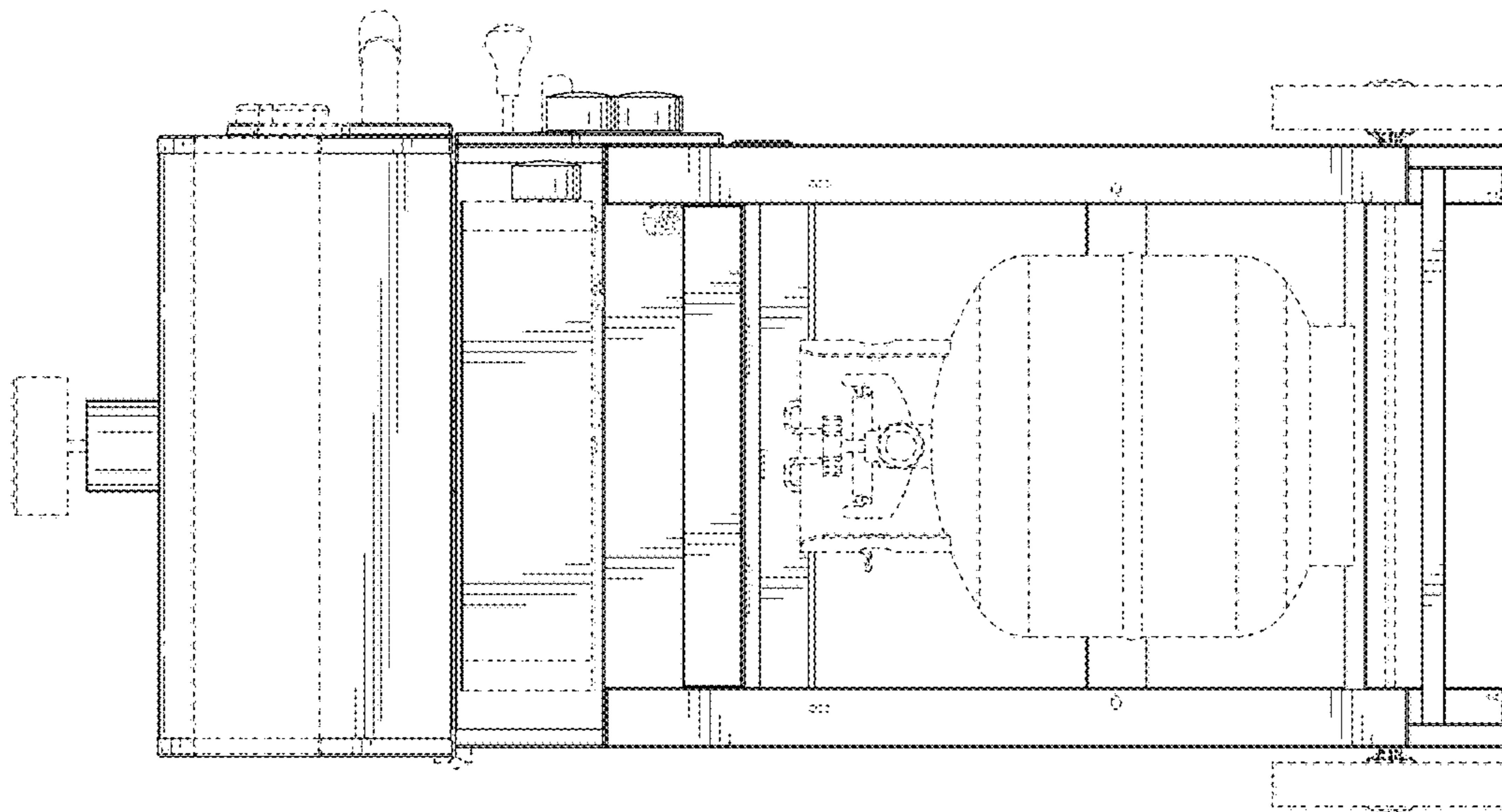


FIG. 4

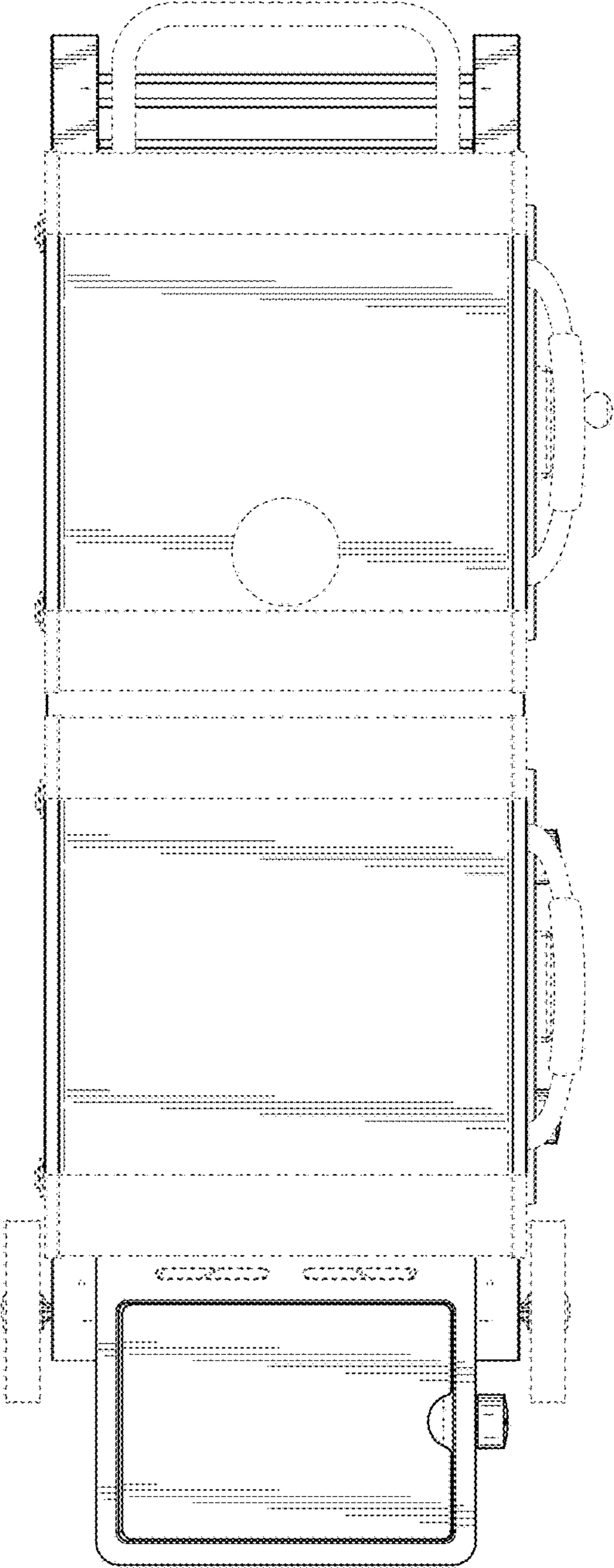


FIG. 6