



US00D852569S

(12) **United States Design Patent** (10) **Patent No.:** **US D852,569 S**
Giebel et al. (45) **Date of Patent:** **** Jul. 2, 2019**

- (54) **COMBINATION GRILL AND SMOKER**
- (71) Applicant: **Masterbuilt Manufacturing, LLC**,
Columbus, GA (US)
- (72) Inventors: **Michael R. Giebel**, Joplin, MO (US);
Paul J. Simon, Elizabethtown, KY
(US)
- (73) Assignee: **Masterbuilt Manufacturing, LLC**,
Columbus, GA (US)
- (**) Term: **15 Years**
- (21) Appl. No.: **29/611,646**
- (22) Filed: **Jul. 24, 2017**
- (51) **LOC (11) Cl.** **07-02**
- (52) **U.S. Cl.**
USPC **D7/334**
- (58) **Field of Classification Search**
USPC D7/332-337, 351-353, 402-409
CPC A47J 37/07-0781; A47J 37/0786; A47J
33/00; A23B 4/044-056
See application file for complete search history.

- D636,217 S * 4/2011 Slater D7/334
D736,026 S * 8/2015 Kam D7/334
2002/0020405 A1* 2/2002 Coleman A47J 37/0704
126/41 R
2008/0098906 A1* 5/2008 Davis A23B 4/044
99/482
2010/0242943 A1* 9/2010 Laporta A47J 37/0704
126/25 B
2013/0312732 A1* 11/2013 Brennan A47J 37/07
126/25 R

* cited by examiner

Primary Examiner — Brett Miller
(74) *Attorney, Agent, or Firm* — Smith, Gambrell &
Russell, LLP

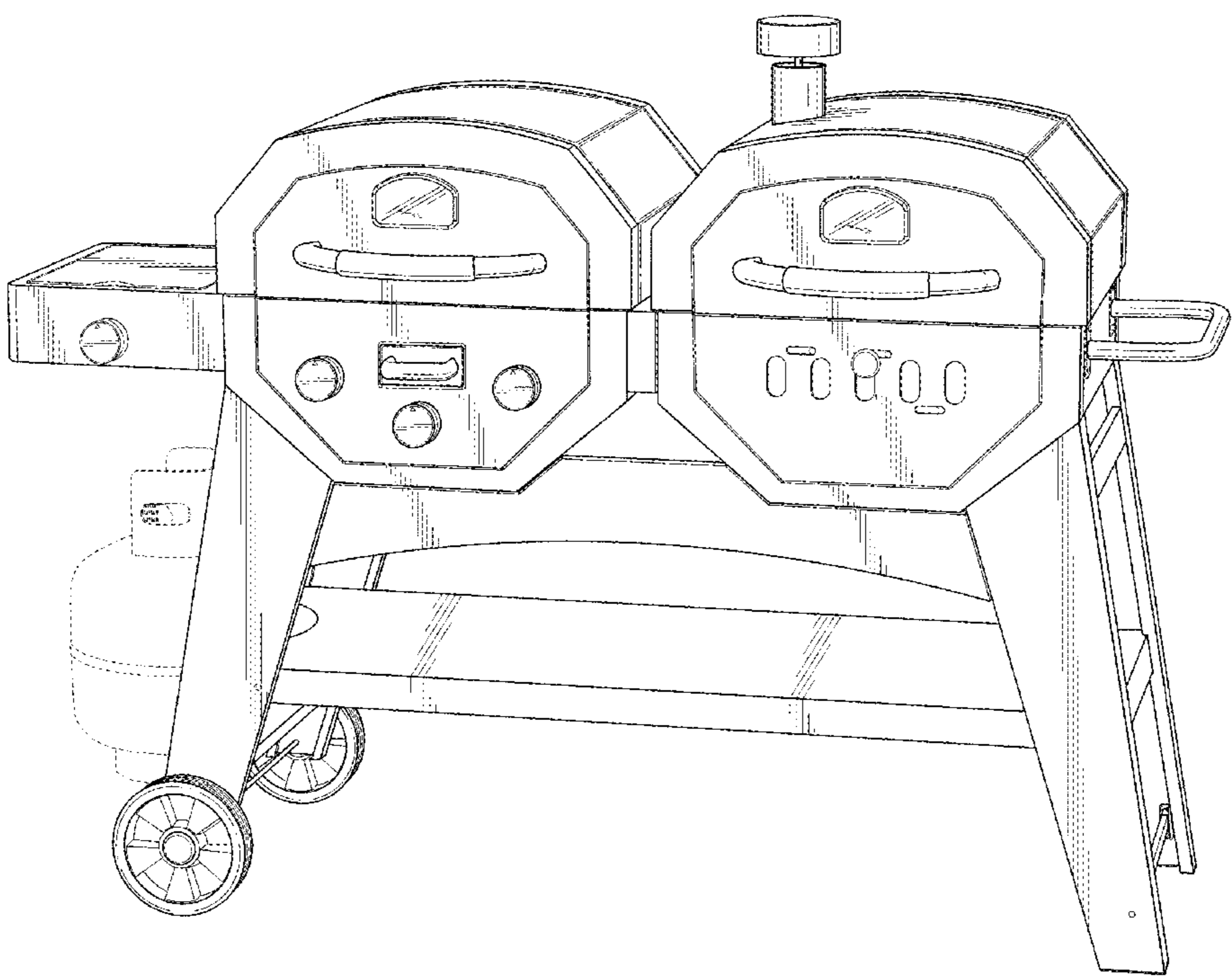
(57) **CLAIM**
The ornamental design for a combination grill and smoker,
as shown and described.

DESCRIPTION

FIG. 1 is a front perspective view of a combination grill and smoker;
FIG. 2 is a front view thereof;
FIG. 3 is a back view thereof;
FIG. 4 is a left side view thereof;
FIG. 5 is a right side view thereof; and,
FIG. 6 is a top view thereof.
The broken lines immediately adjacent shaded areas represent the bounds of the claimed design while all other broken lines are directed to environment and are for illustrative purposes only; the broken lines form no part of the claimed design.

1 Claim, 5 Drawing Sheets

- (56) **References Cited**
U.S. PATENT DOCUMENTS
- D295,136 S * 4/1988 Cox, Jr. D7/334
D323,444 S * 1/1992 Masters D7/332
6,039,039 A * 3/2000 Pina, Jr. A23B 4/052
126/25 R
D456,202 S * 4/2002 McNair D7/332



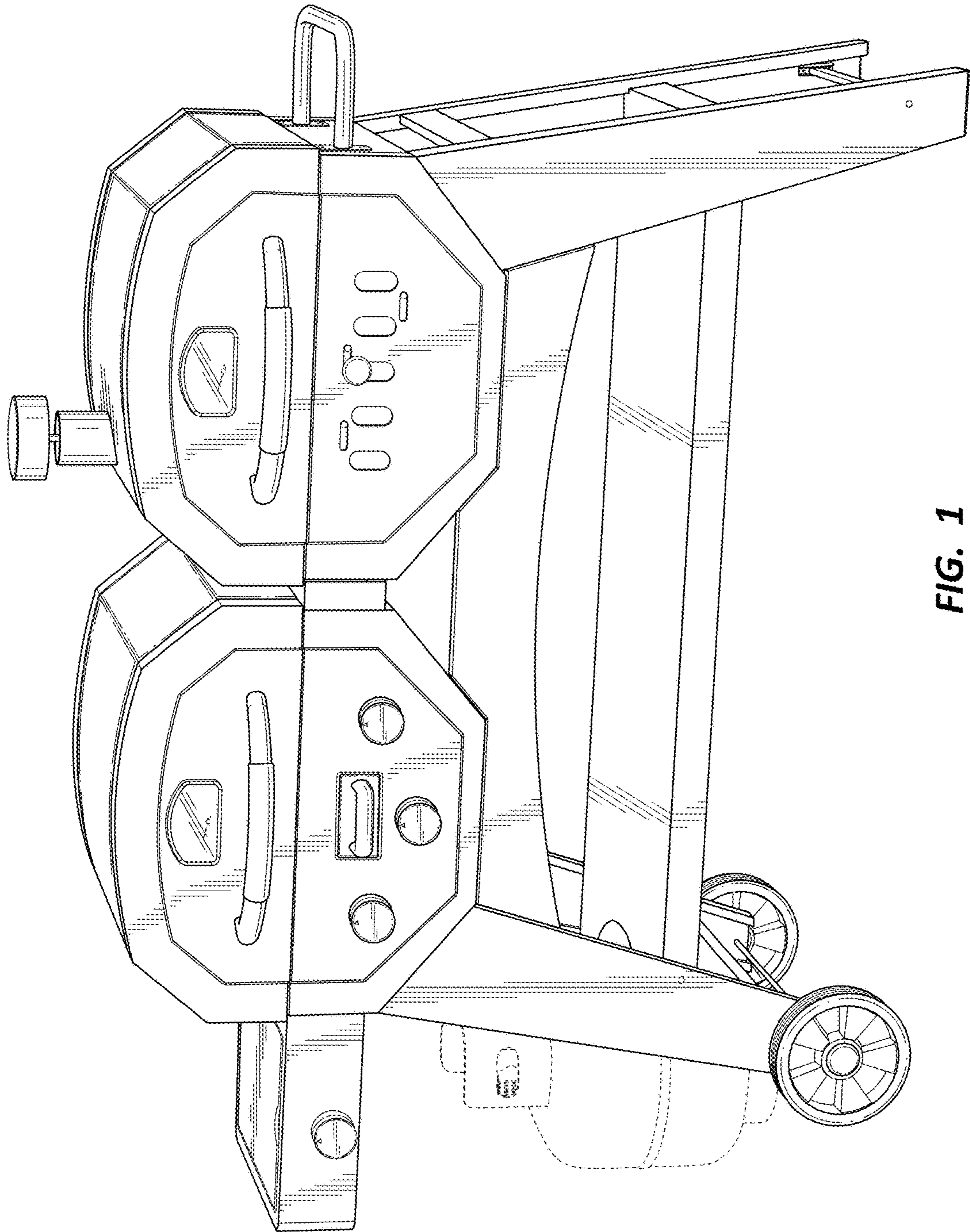


FIG. 1

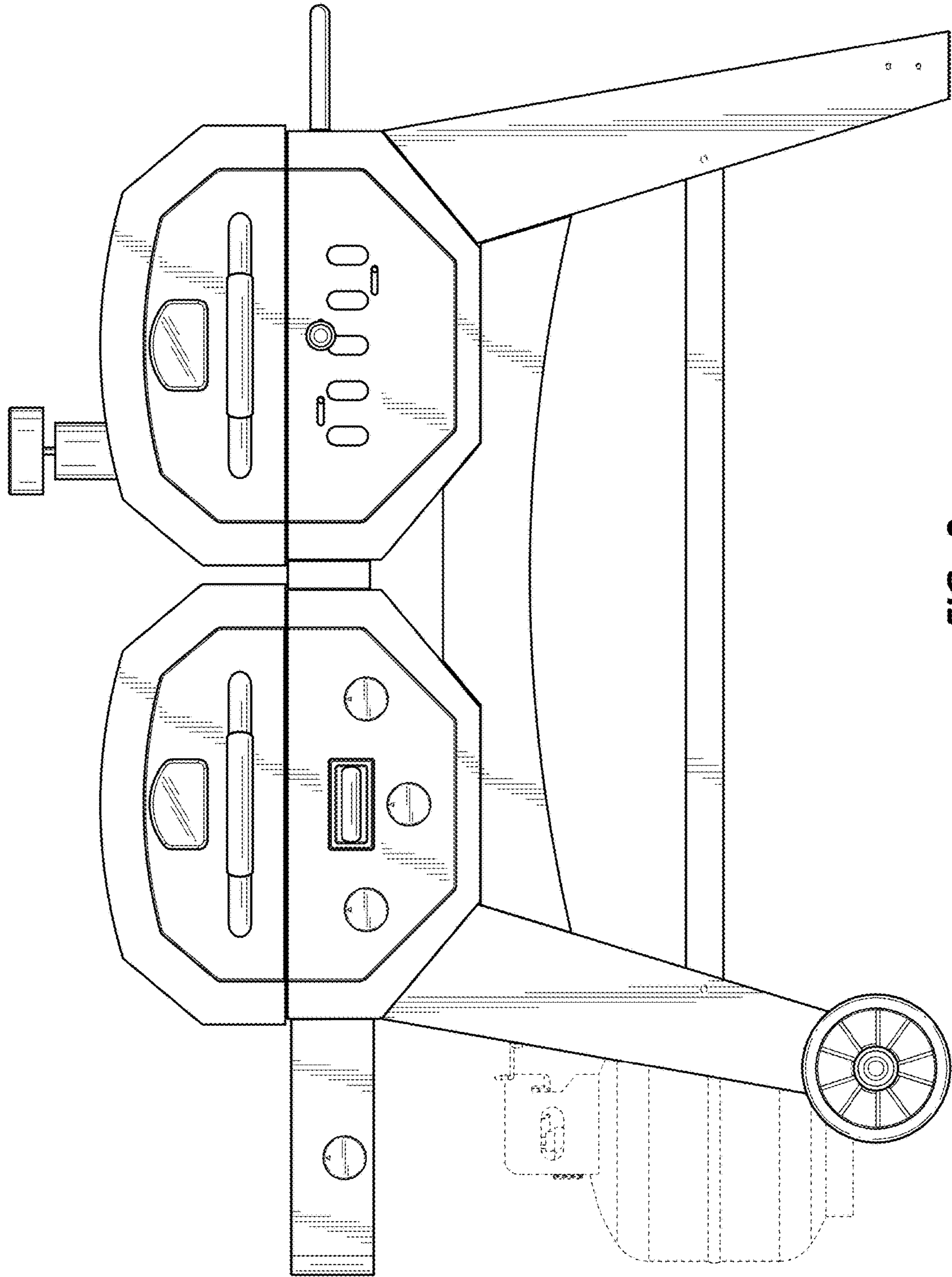


FIG. 2

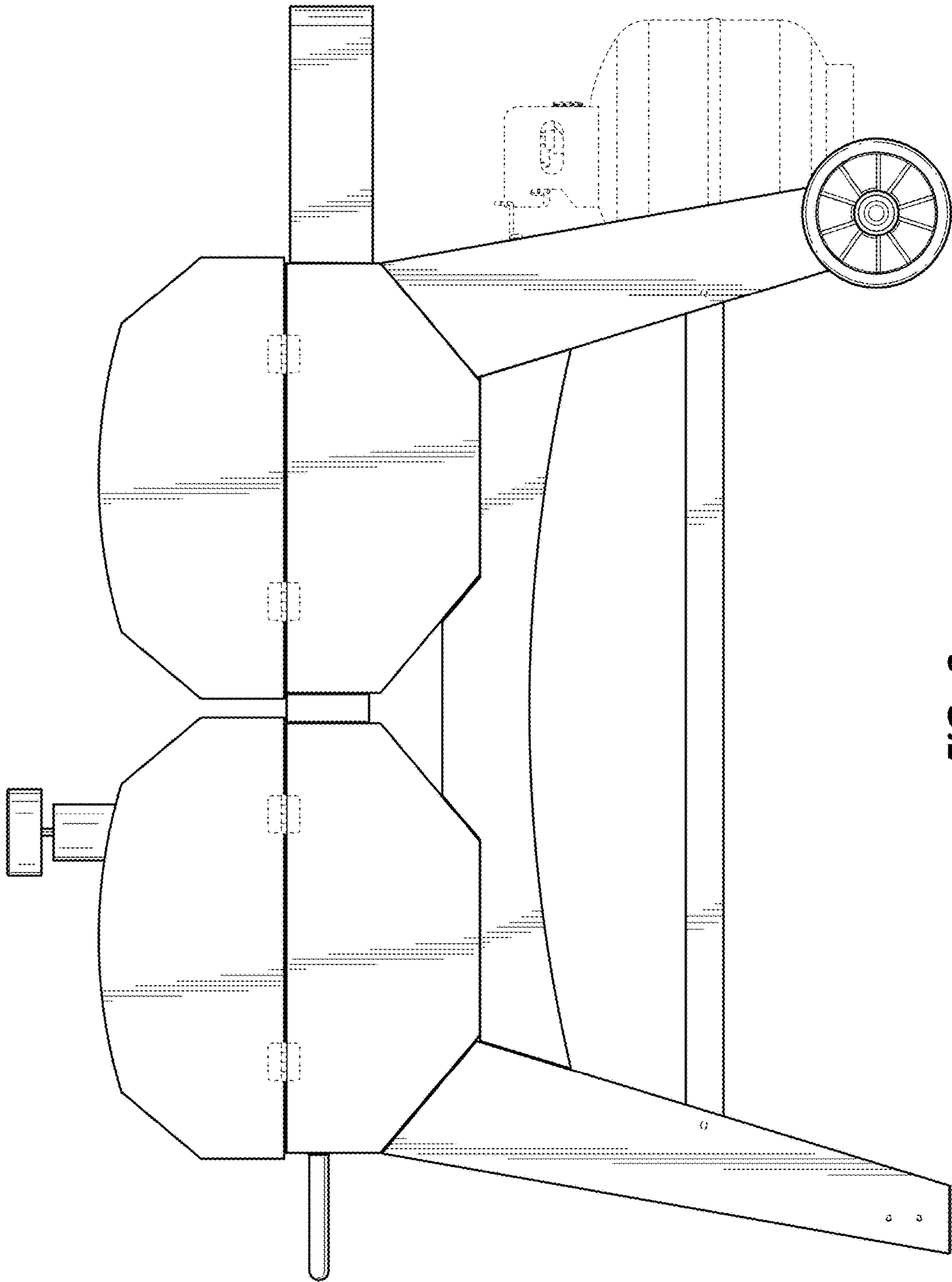


FIG. 3

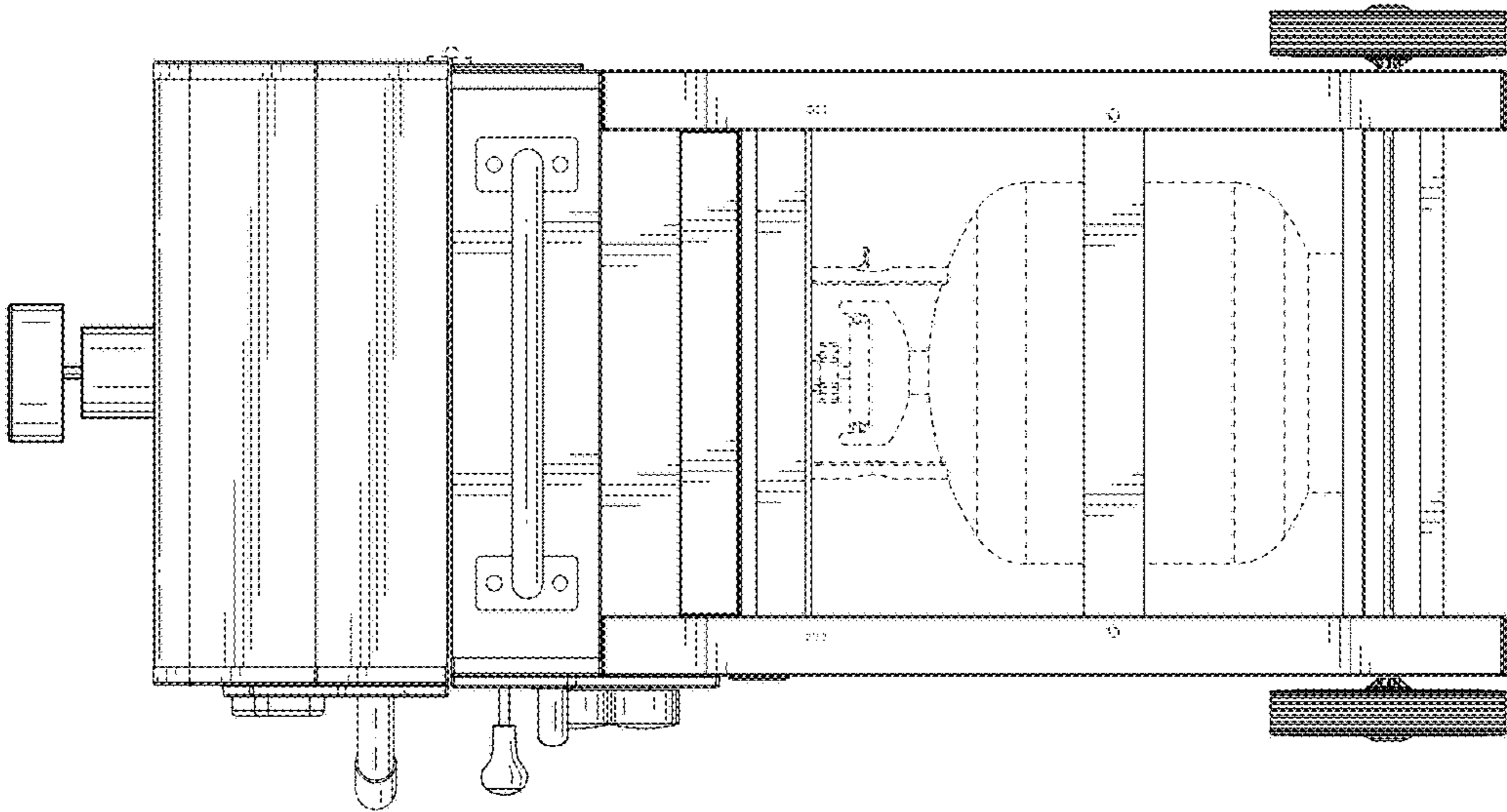


FIG. 5

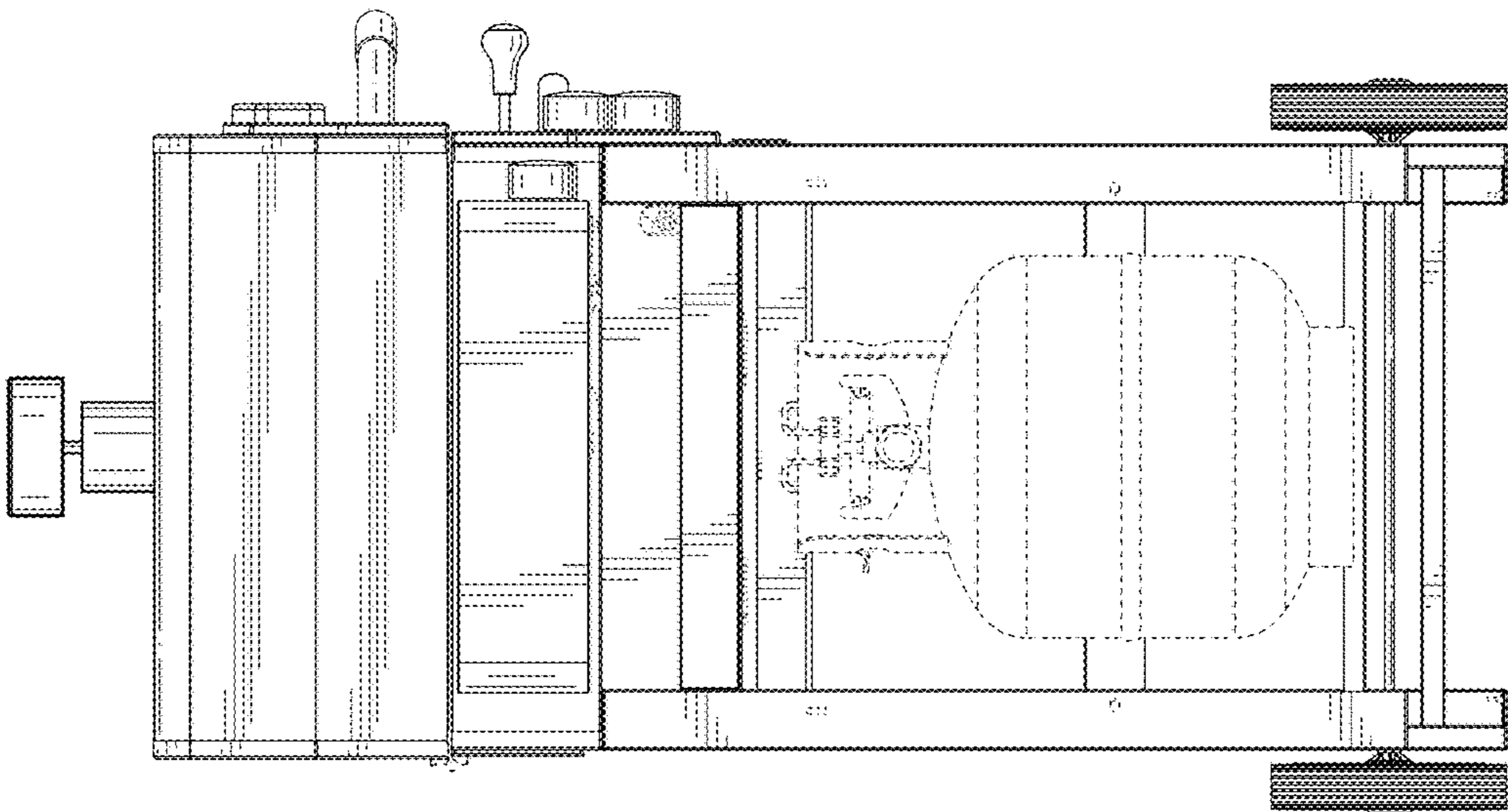


FIG. 4

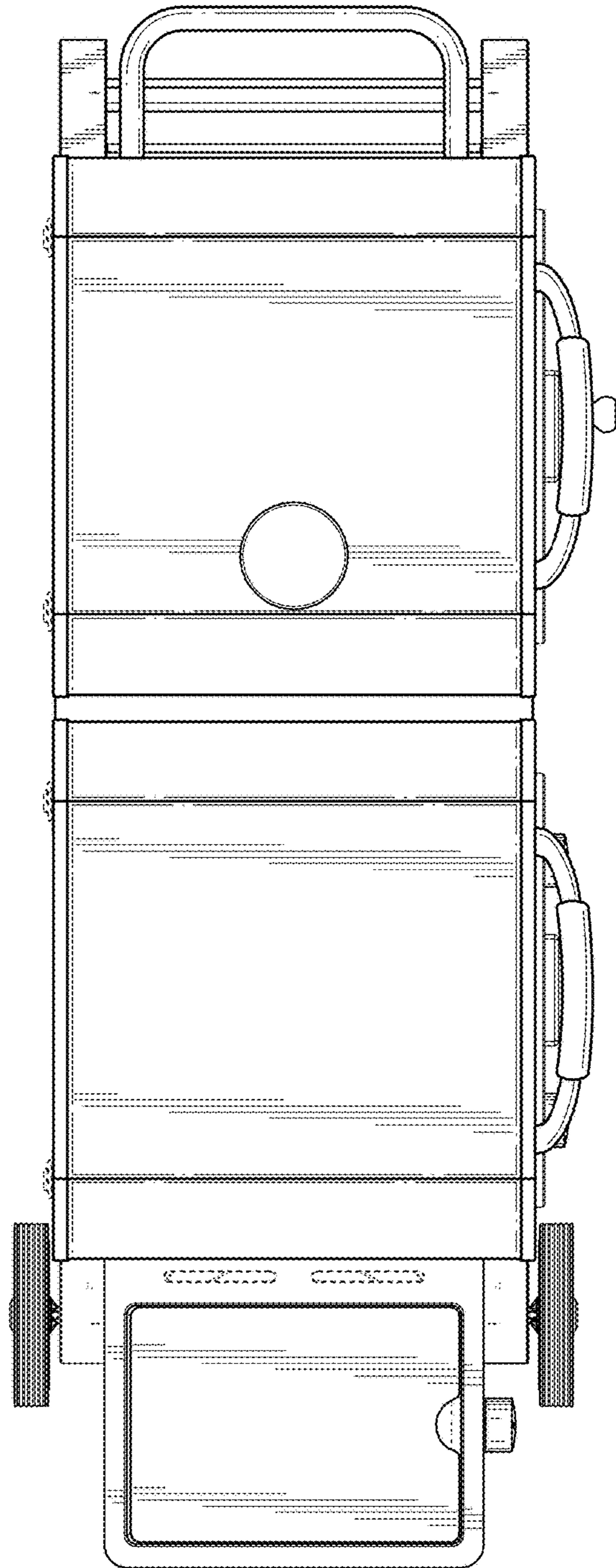


FIG. 6