



US00D852567S

(12) **United States Design Patent**  
**Chen**

(10) **Patent No.:** **US D852,567 S**

(45) **Date of Patent:** **\*\* Jul. 2, 2019**

(54) **MANUAL POUR OVER COFFEE MAKER**

(71) Applicant: **EnE Holdings Ltd**, Hong Kong (CN)

(72) Inventor: **Andrew Yuen Chin Chen**, Hong Kong (CN)

(73) Assignee: **ENE HOLDINGS LTD**, Hong Kong (CN)

(\*\*) Term: **15 Years**

(21) Appl. No.: **29/597,553**

(22) Filed: **Mar. 17, 2017**

(51) **LOC (11) Cl.** ..... **07-01**

(52) **U.S. Cl.**

USPC ..... **D7/310**; D7/309; D7/311

(58) **Field of Classification Search**

USPC ..... D7/305-311, 300; 99/275

CPC ..... A47J 31/057; A47J 31/54; A47J 31/58

See application file for complete search history.

(56) **References Cited**

**U.S. PATENT DOCUMENTS**

- 3,334,574 A \* 8/1967 Douglas ..... A47J 31/02  
210/455
- D234,285 S \* 2/1975 Wickenberg ..... D7/309
- D289,726 S \* 5/1987 Greutert ..... D7/310
- D324,149 S \* 2/1992 Beeren ..... D7/300
- D585,693 S \* 2/2009 Wright ..... D7/309

- D718,564 S \* 12/2014 Ragot ..... D7/309
- D726,479 S \* 4/2015 Andreesen ..... D7/306
- D740,064 S \* 10/2015 Katz ..... D7/309
- D794,375 S \* 8/2017 Fukushima ..... D7/309
- D796,886 S \* 9/2017 Mangold ..... D7/309
- 9,795,247 B2 \* 10/2017 Huillet ..... A47J 31/3623

\* cited by examiner

*Primary Examiner* — Marianne N Pandozzi

(74) *Attorney, Agent, or Firm* — Law Offices of Albert Wai-Kit Chan, PLLC

(57) **CLAIM**

I claim the ornamental design for manual pour over coffee maker, as shown and described.

**DESCRIPTION**

FIG. 1 is a front view of a manual pour over coffeemaker showing my new design;

FIG. 2 is a back view of the manual pour over coffee maker;

FIG. 3 is a bottom view of the manual pour over coffee maker;

FIG. 4 is a top view of the manual pour over coffee maker;

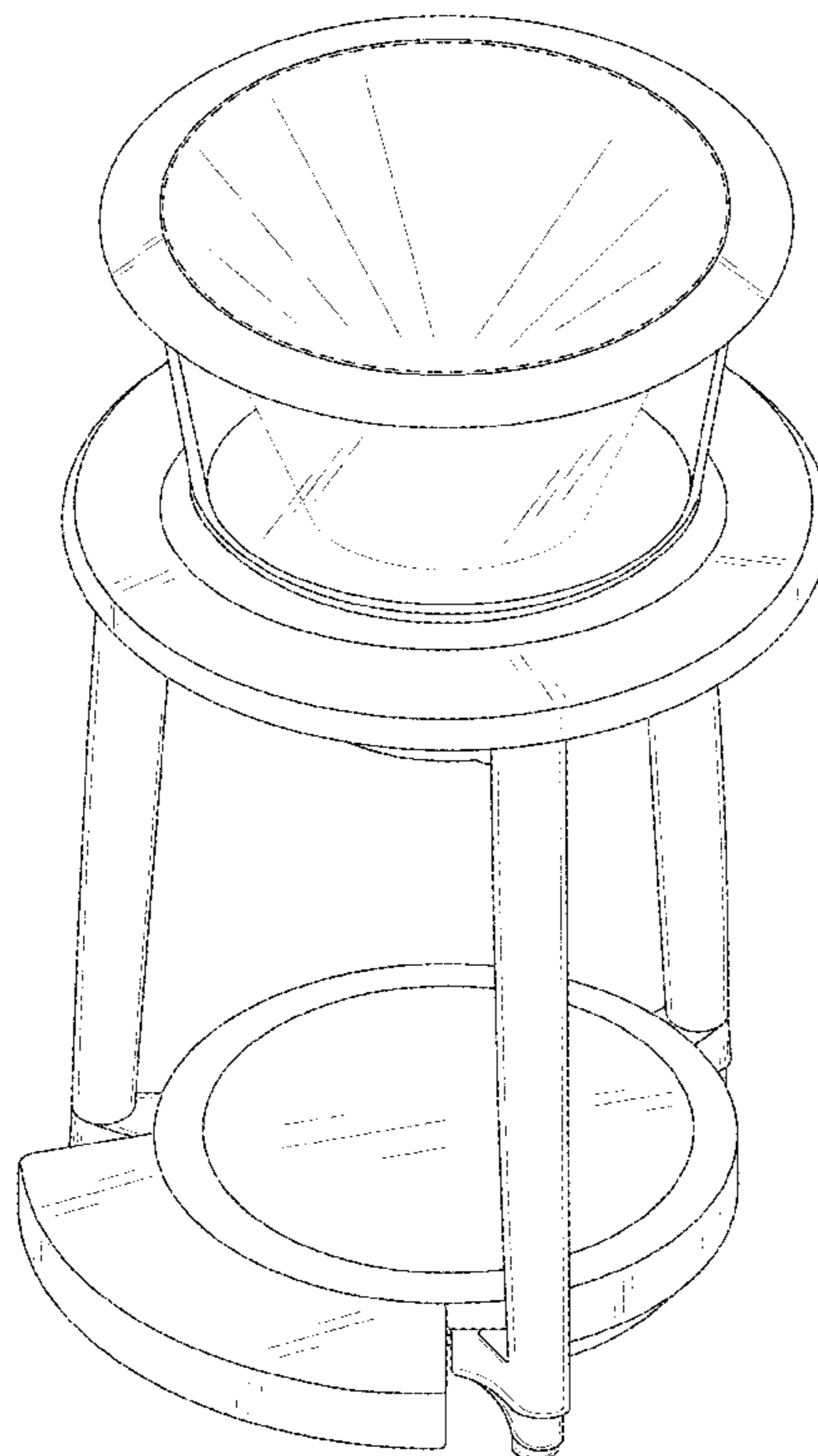
FIG. 5 is right-side view of the manual pour over coffee maker;

FIG. 6 is a left-side view of the manual pour over coffee maker; and,

FIG. 7 is a perspective view of the manual pour over coffee maker.

The broken lines in the drawing depict portions of the manual pour over coffee maker that form no part of the claimed design.

**1 Claim, 7 Drawing Sheets**



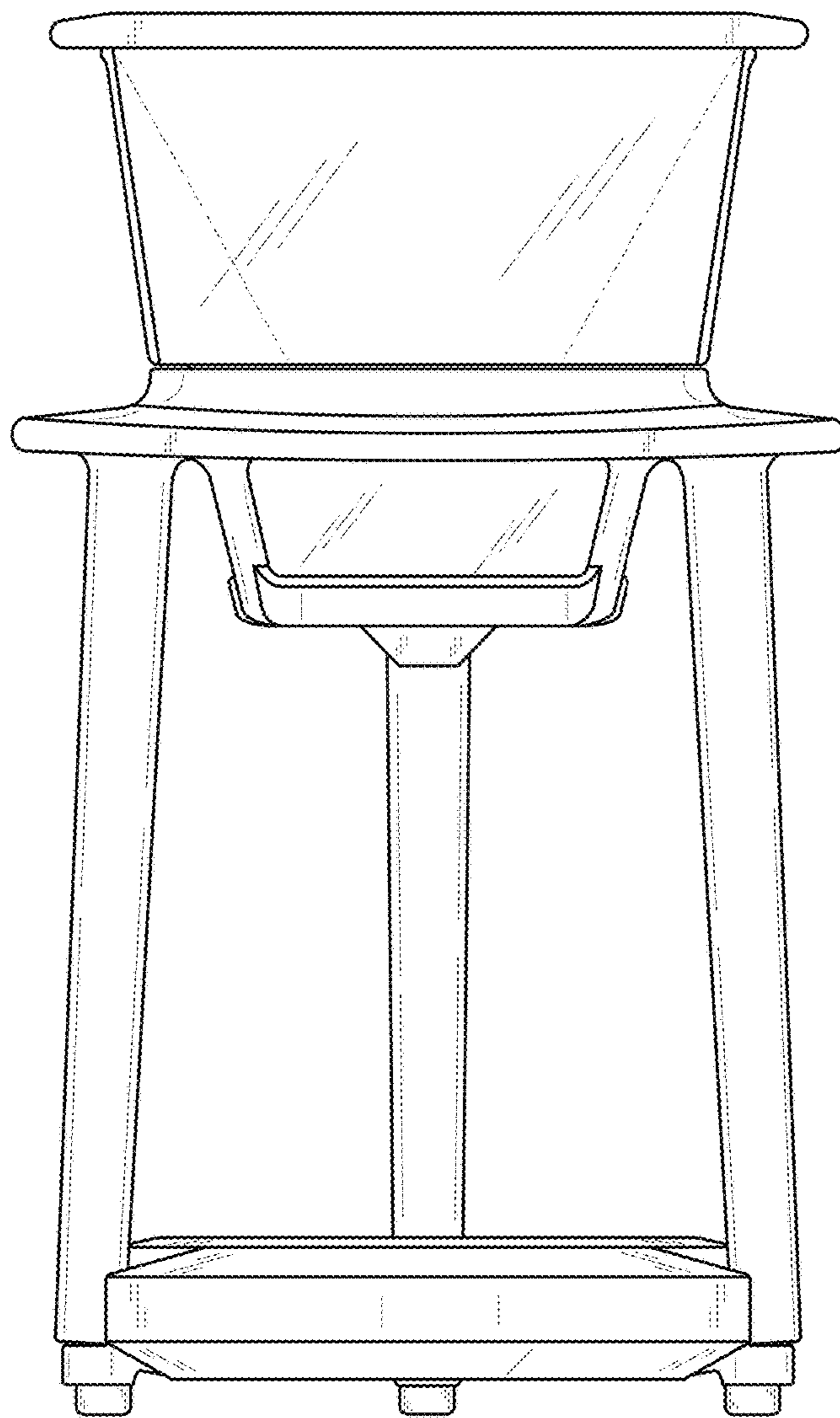


FIG. 1

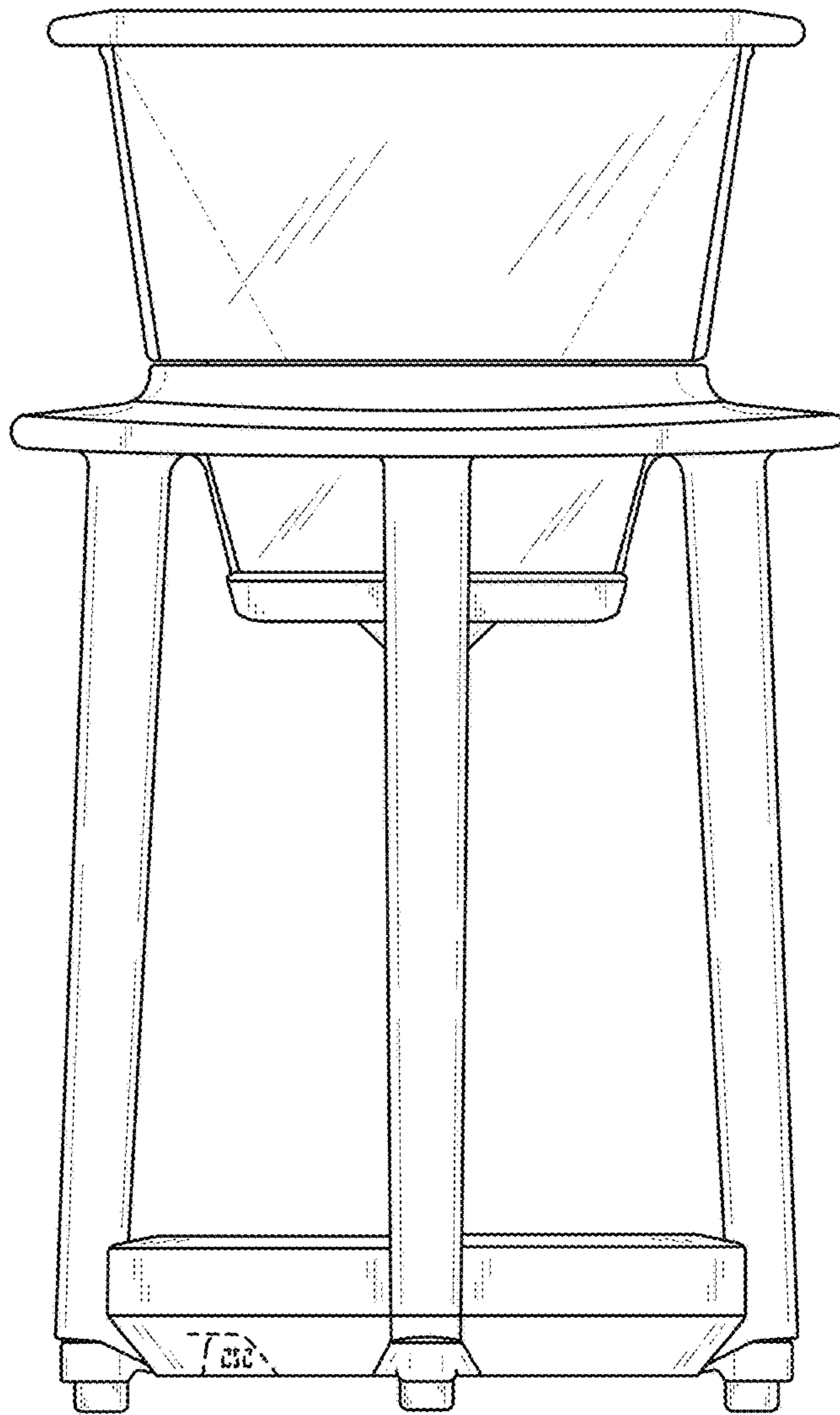


FIG. 2

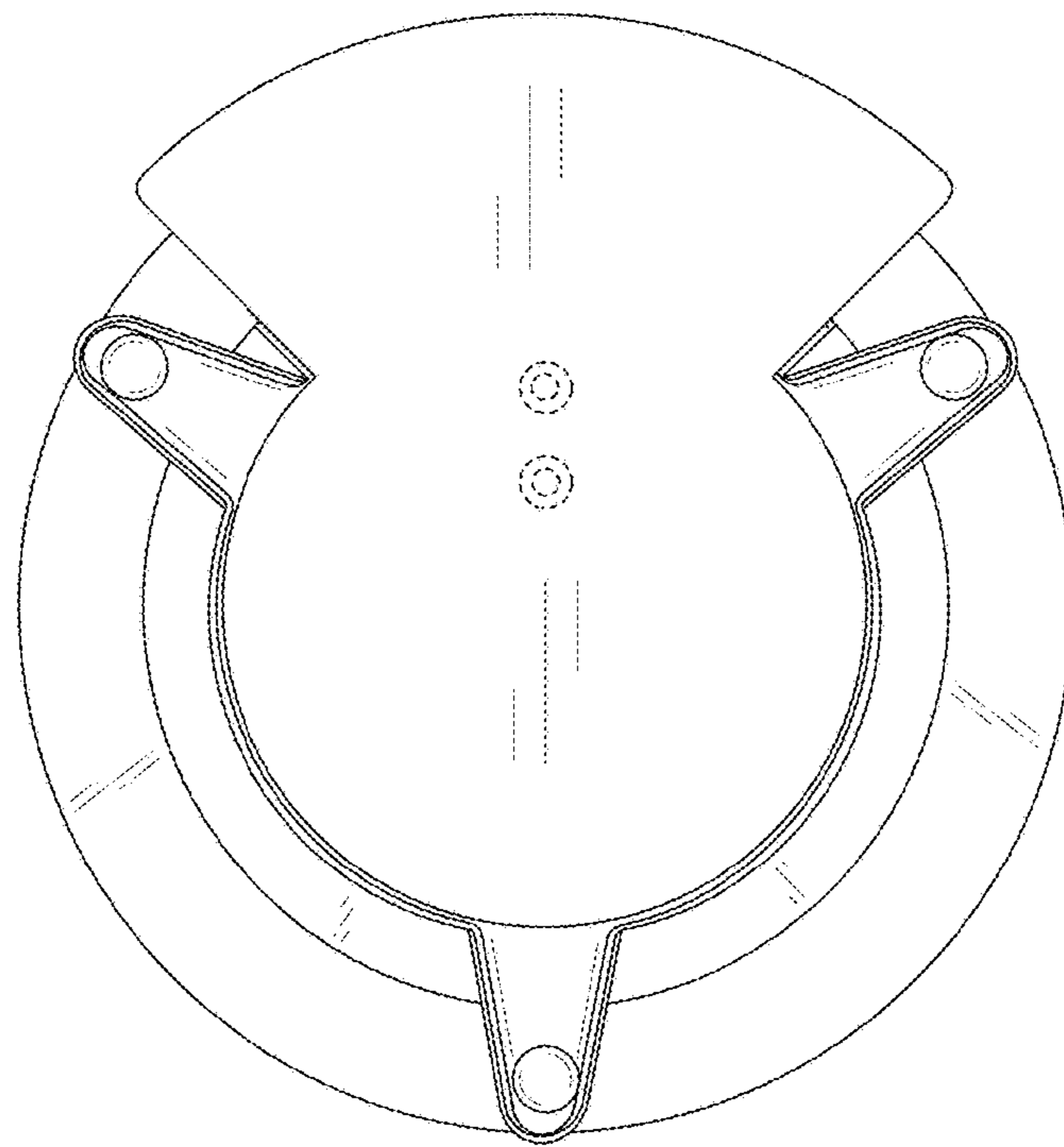


FIG. 3

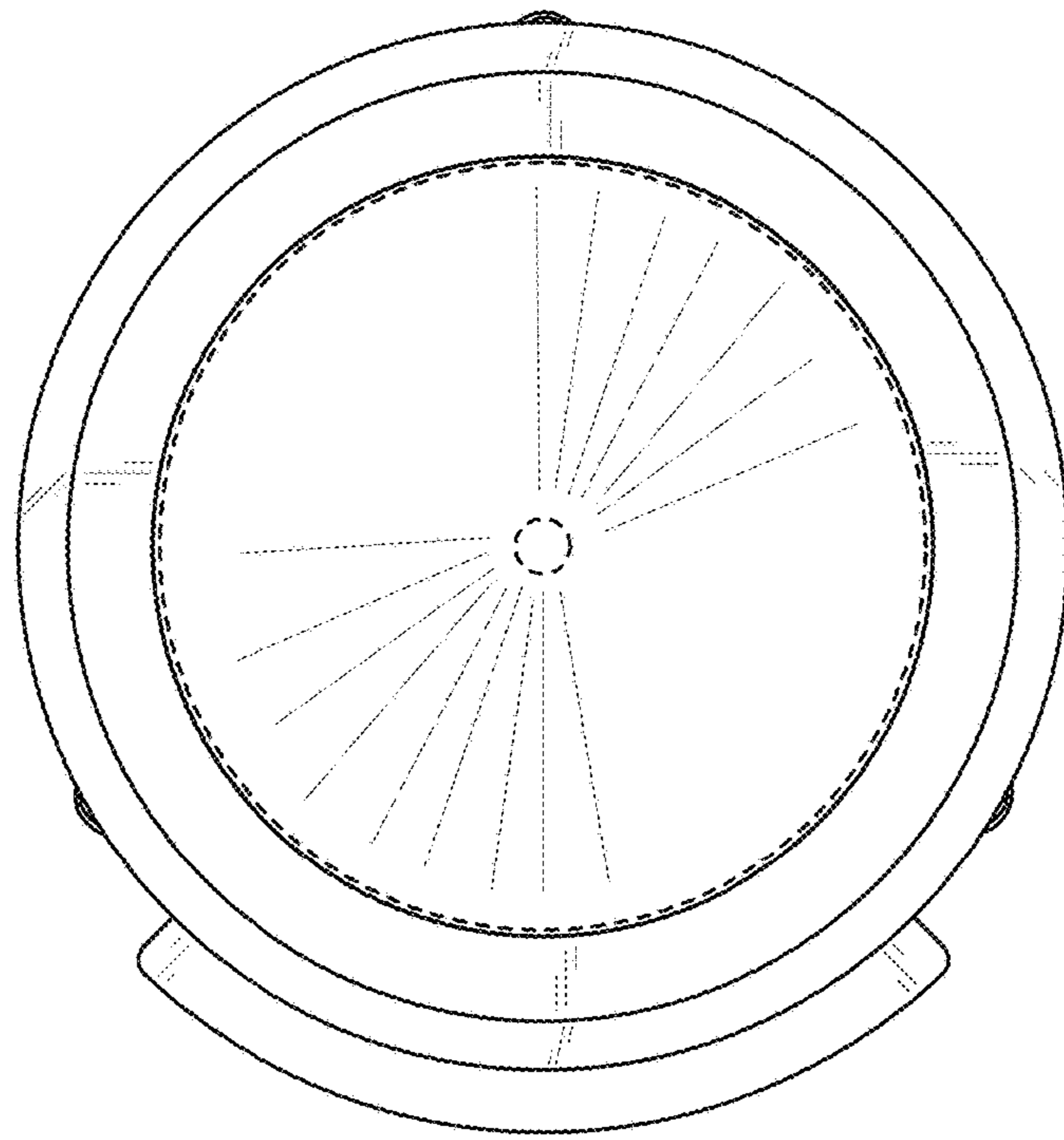


FIG. 4

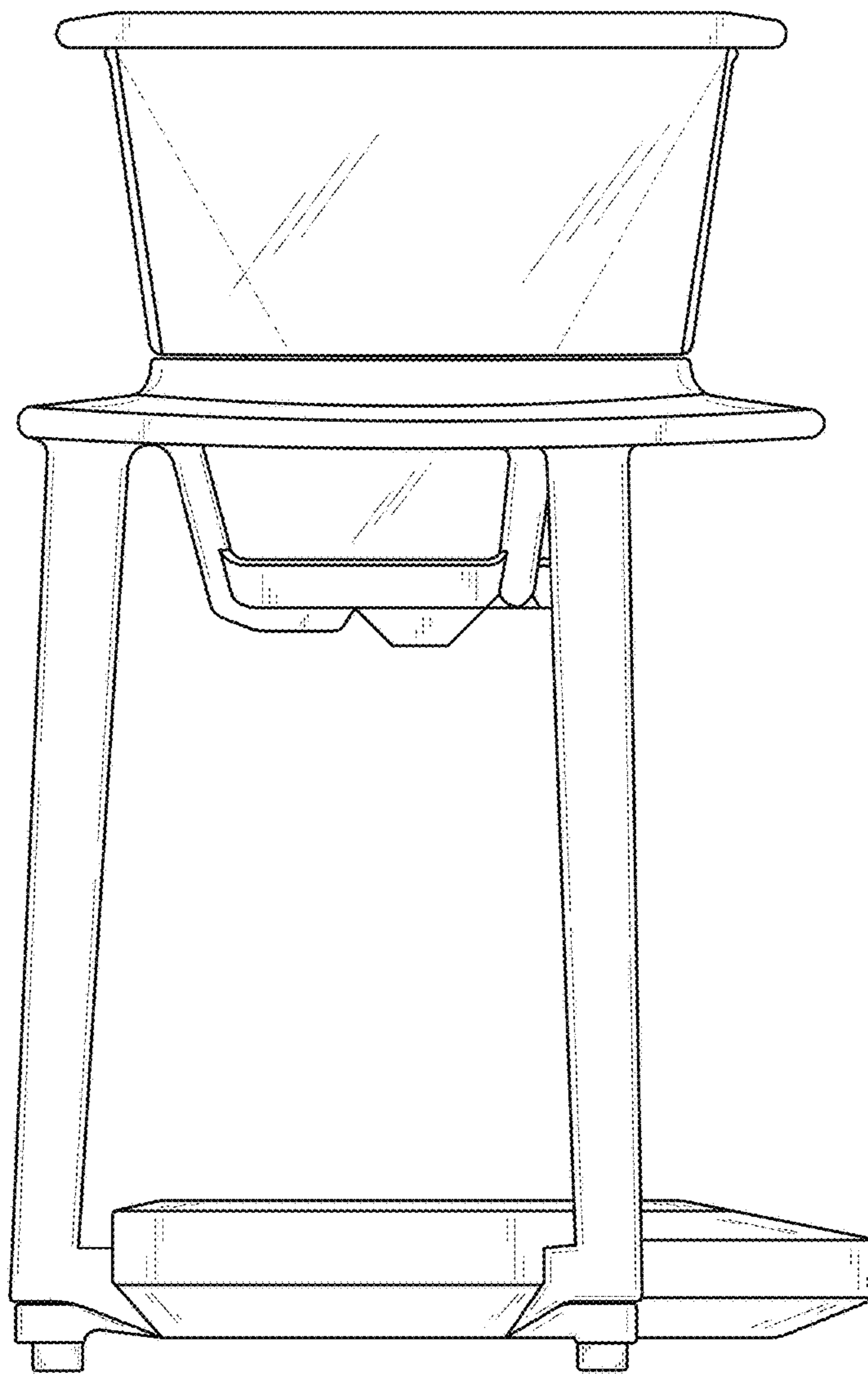


FIG. 5

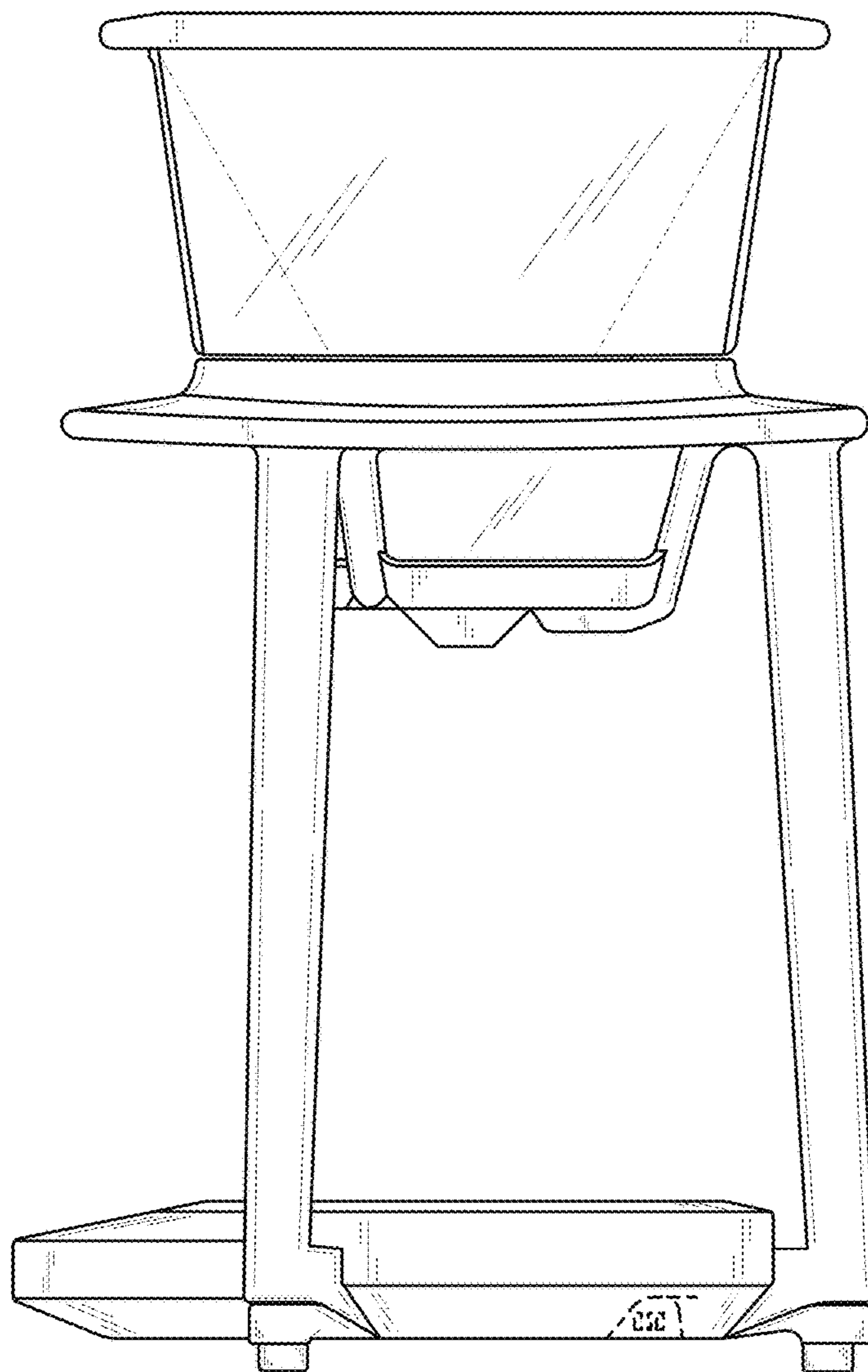


FIG. 6

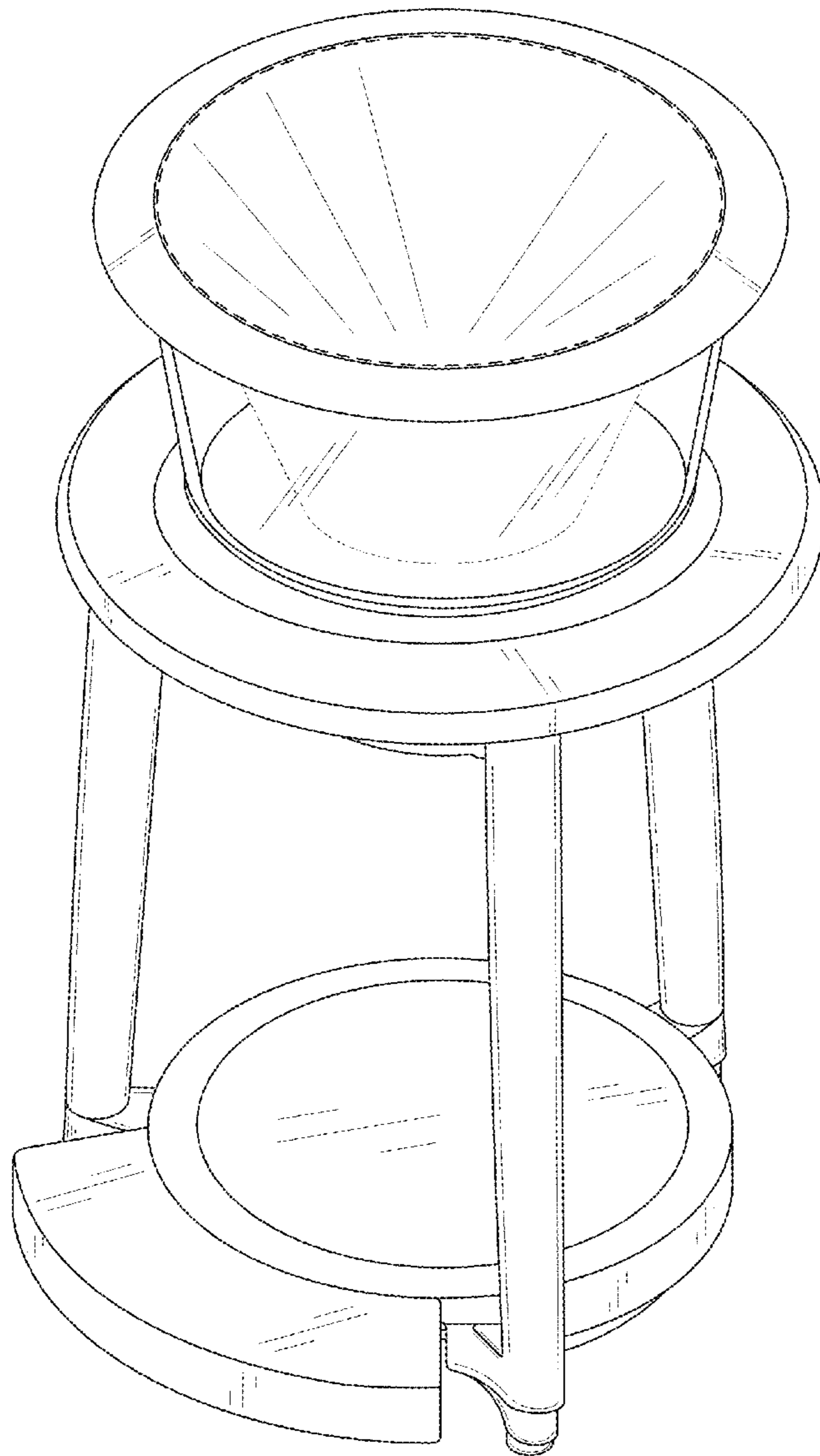


FIG. 7