



US00D852566S

(12) **United States Design Patent**
Chen

(10) **Patent No.:** **US D852,566 S**

(45) **Date of Patent:** **** Jul. 2, 2019**

(54) **AUTOMATIC POUR OVER COFFEE MAKER**

(71) Applicant: **EnE Holdings Ltd**, Hong Kong (CN)

(72) Inventor: **Andrew Yuen Chin Chen**, Hong Kong (CN)

(73) Assignee: **ENE HOLDINGS LTD**, Hong Kong (CN)

(**) Term: **15 Years**

(21) Appl. No.: **29/597,489**

(22) Filed: **Mar. 17, 2017**

(51) **LOC (11) Cl.** **07-01**

(52) **U.S. Cl.**
USPC **D7/309; D7/310; D7/311**

(58) **Field of Classification Search**
USPC **D7/305-311, 300; 99/275**
CPC **A47J 31/057; A47J 31/54; A47J 31/58**
See application file for complete search history.

(56) **References Cited**

U.S. PATENT DOCUMENTS

- D133,314 S * 8/1942 Finzie D7/310
- 3,063,359 A * 11/1962 Brant A47J 31/02
99/287
- D234,285 S * 2/1975 Wickenberg D7/309
- D324,149 S * 2/1992 Beeren D7/300
- 5,301,600 A * 4/1994 Medema A47J 31/4478
99/305
- D347,961 S * 6/1994 Beeren D7/309

- D354,878 S * 1/1995 Lin D7/309
- D387,245 S * 12/1997 Hippen D7/309
- D407,595 S * 4/1999 Hsu D7/309
- D418,000 S * 12/1999 Mork D7/309
- D444,985 S * 7/2001 Wu D7/309
- D446,990 S * 8/2001 Prat D7/309
- 6,968,775 B2 * 11/2005 Burrows A47J 31/057
99/302 R
- D577,944 S * 10/2008 Spiegel D7/309
- D585,693 S * 2/2009 Wright D7/309
- D718,564 S * 12/2014 Ragot D7/309
- D740,064 S * 10/2015 Katz D7/309
- D796,886 S * 9/2017 Mangold D7/309

* cited by examiner

Primary Examiner — Marianne N Pandozzi

(74) *Attorney, Agent, or Firm* — Law Offices of Albert Wai-Kit Chan, PLLC

(57) **CLAIM**

I claim the ornamental design for automatic pour over coffee maker, as shown and described.

DESCRIPTION

FIG. 1 is a front view of an automatic pour over coffee maker showing the new design;
 FIG. 2 is a rear view thereof;
 FIG. 3 is a bottom plan view thereof;
 FIG. 4 is a top plan view thereof;
 FIG. 5 is a right-side perspective view thereof;
 FIG. 6 is a left-side perspective view thereof;
 FIG. 7 is a bottom perspective view thereof; and,
 FIG. 8 is a top perspective view thereof.

1 Claim, 8 Drawing Sheets

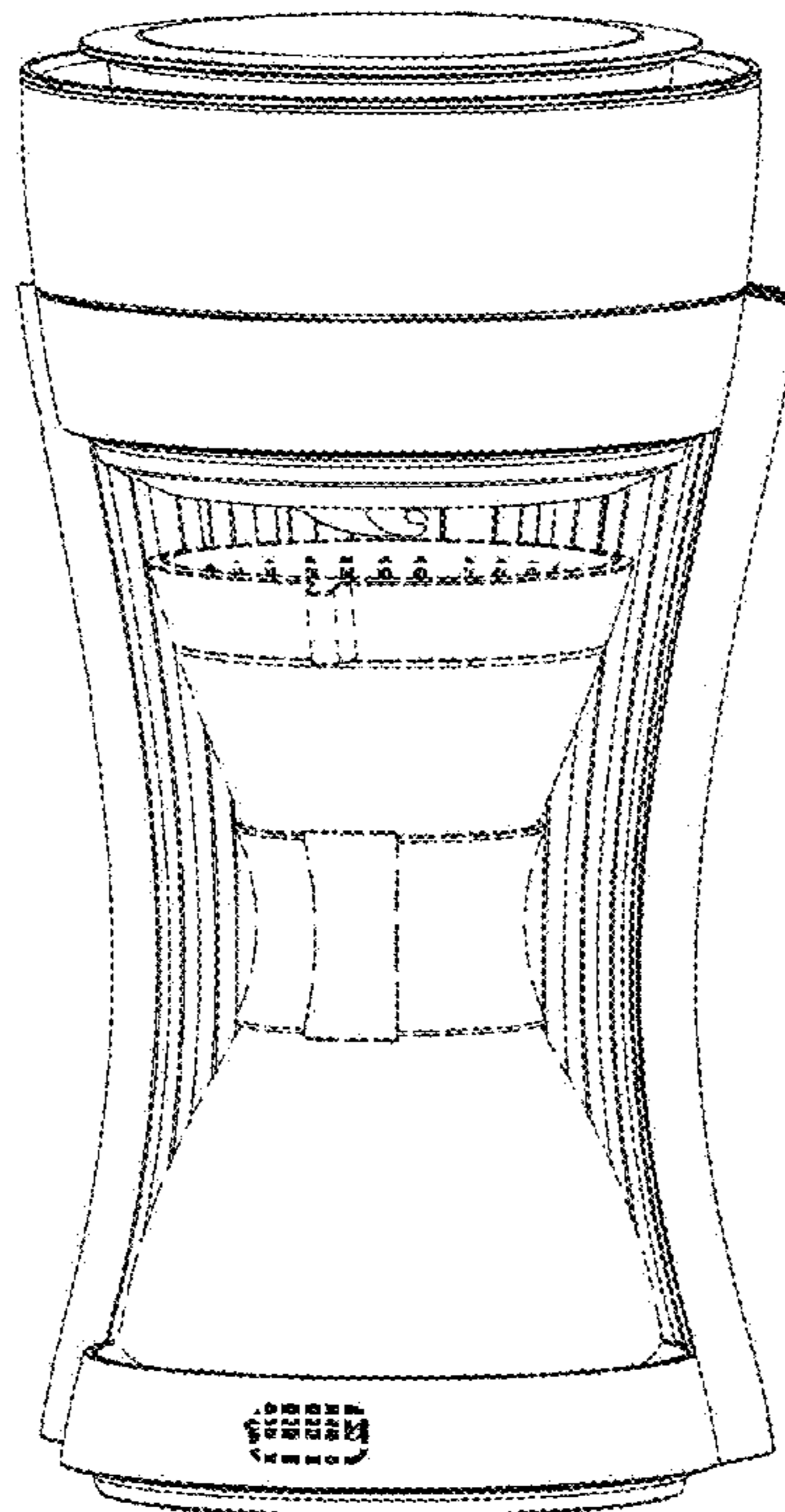


FIGURE 1

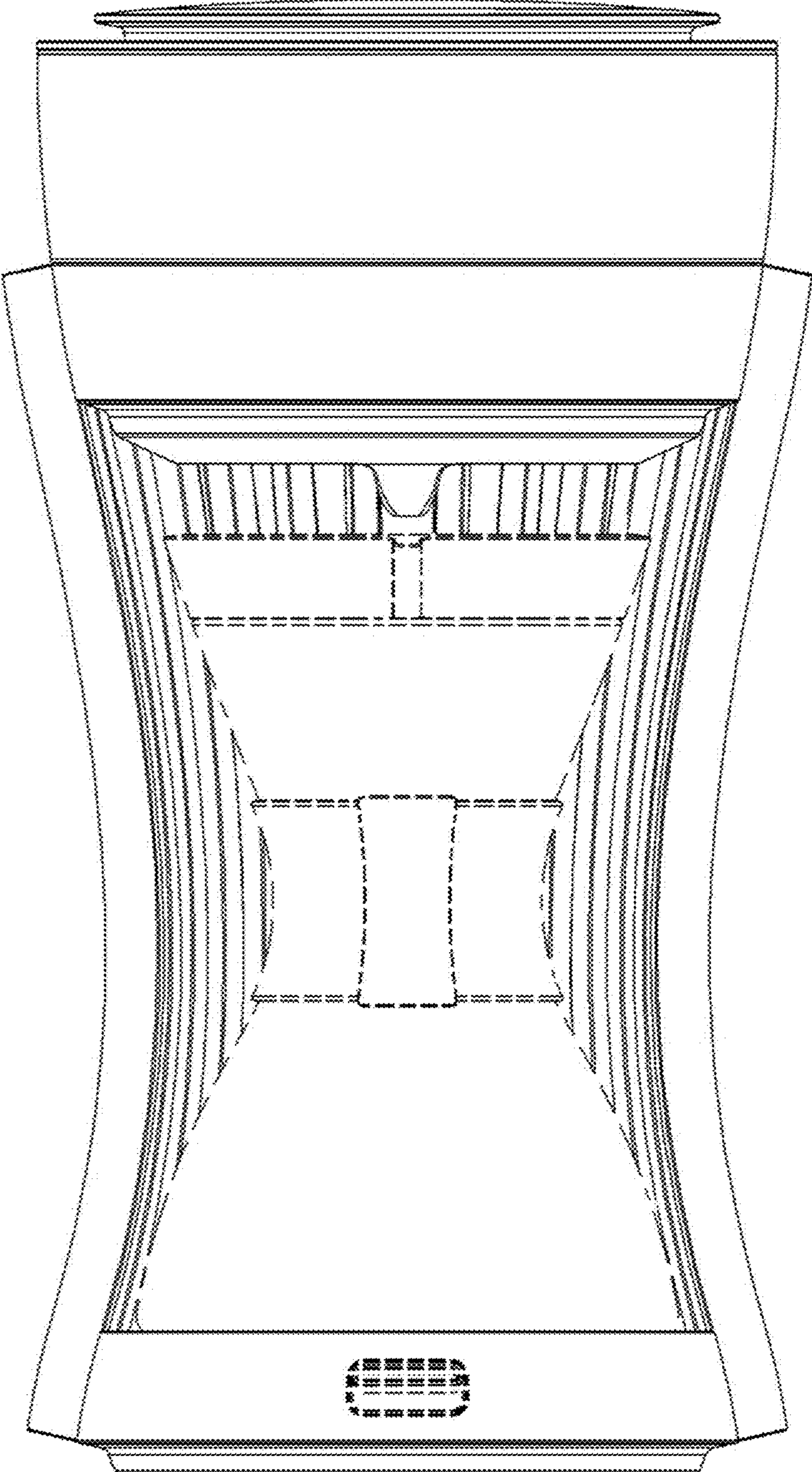


FIGURE 2

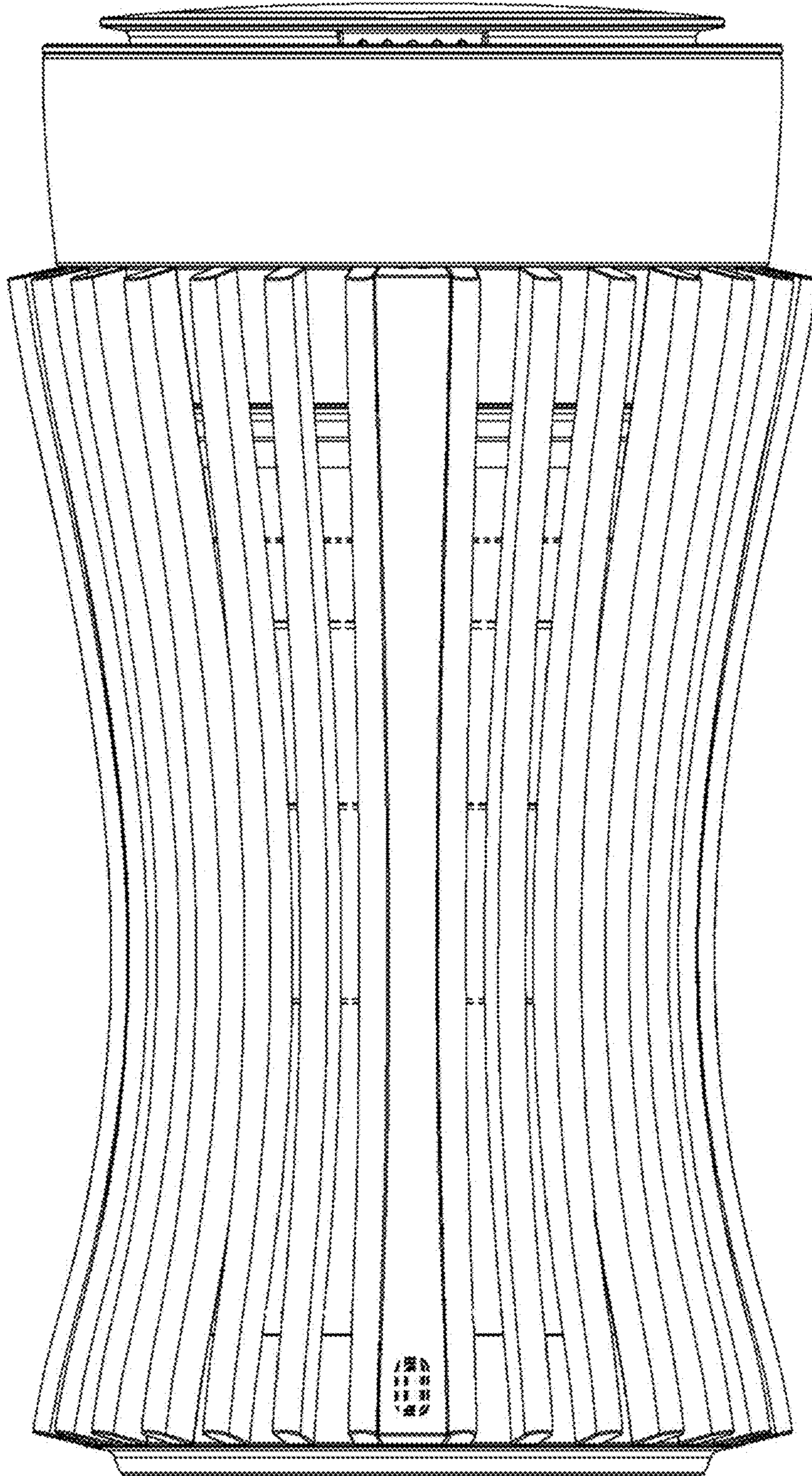


FIGURE 3

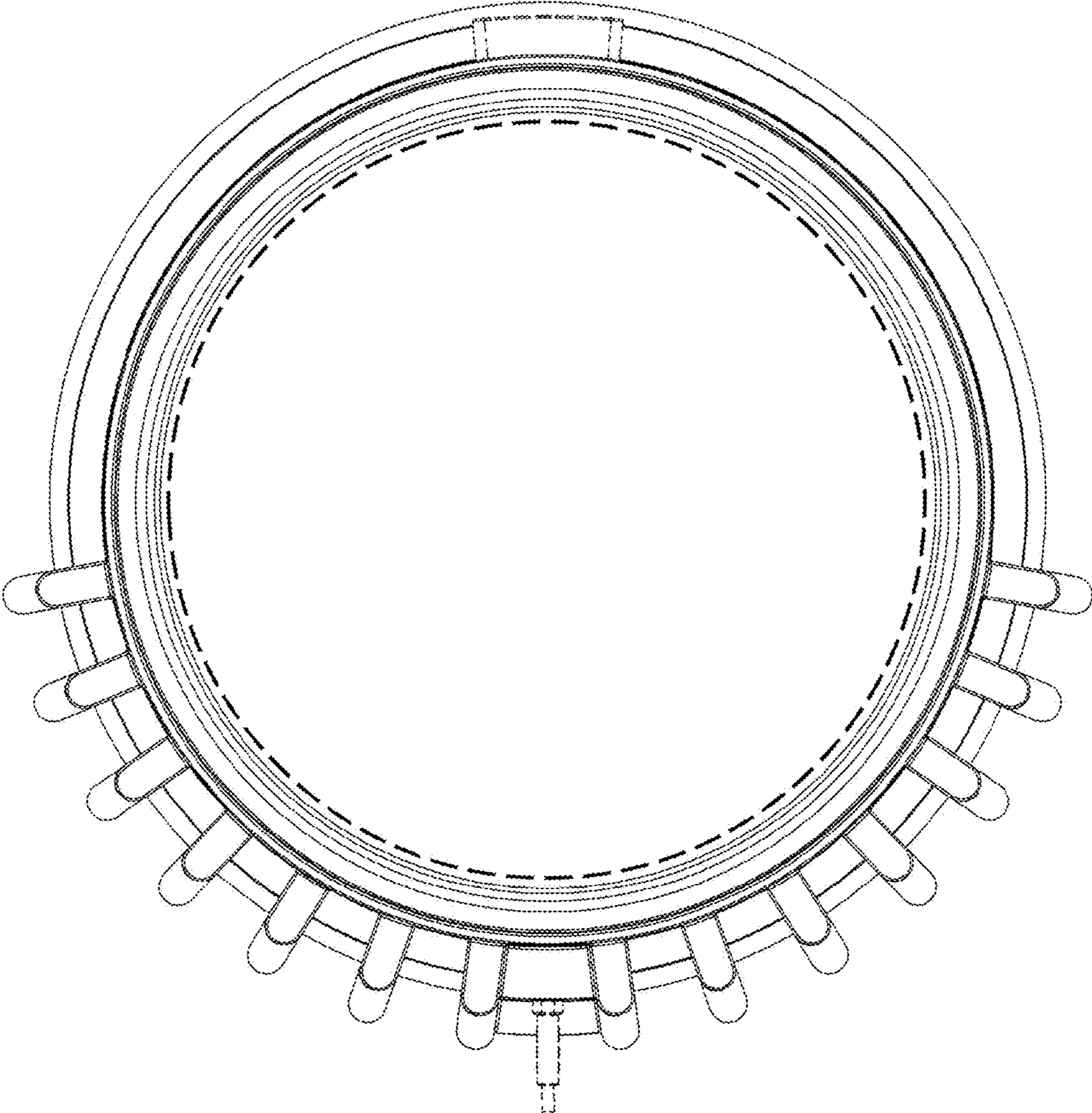


FIGURE 4

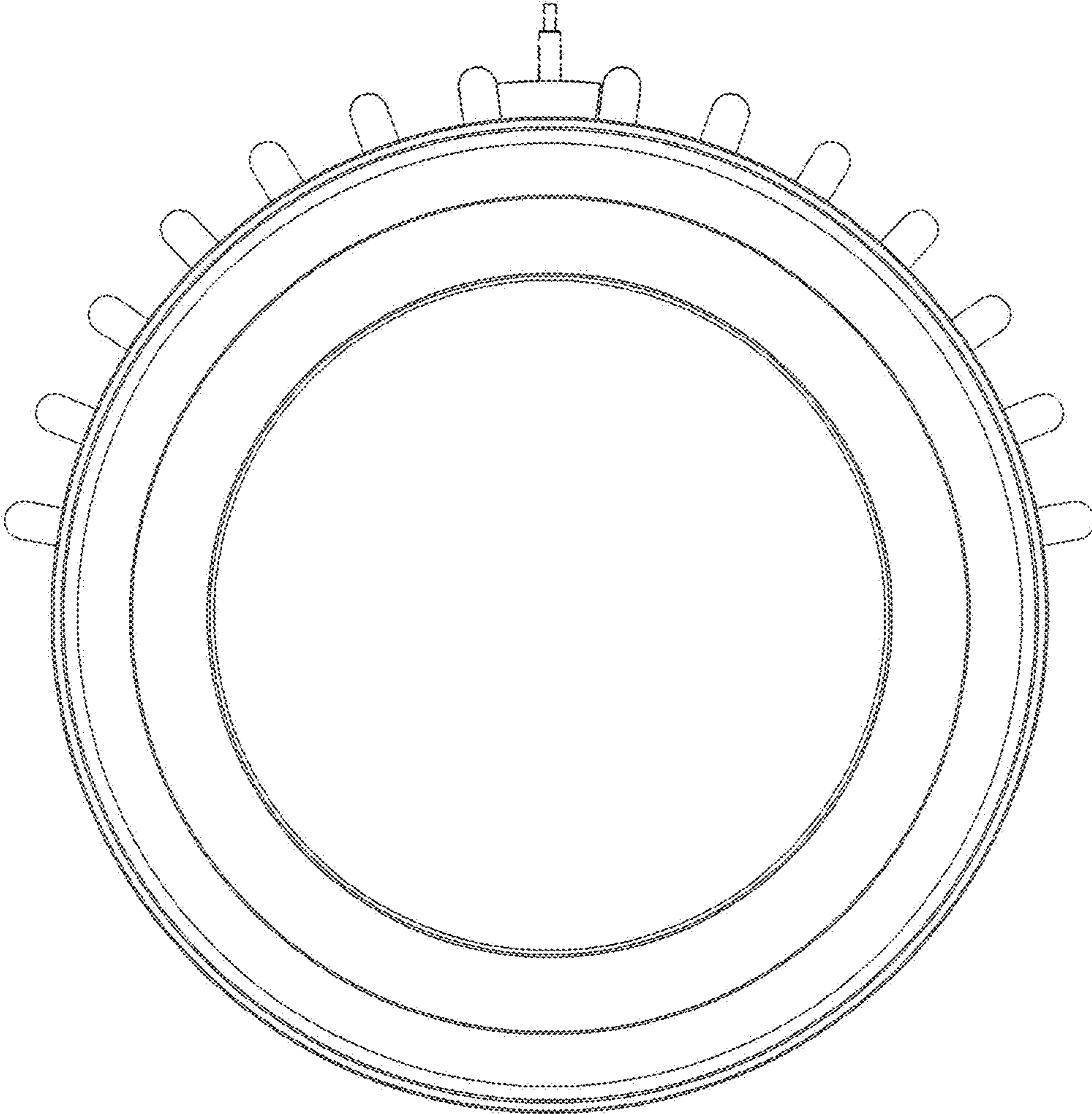


FIGURE 5

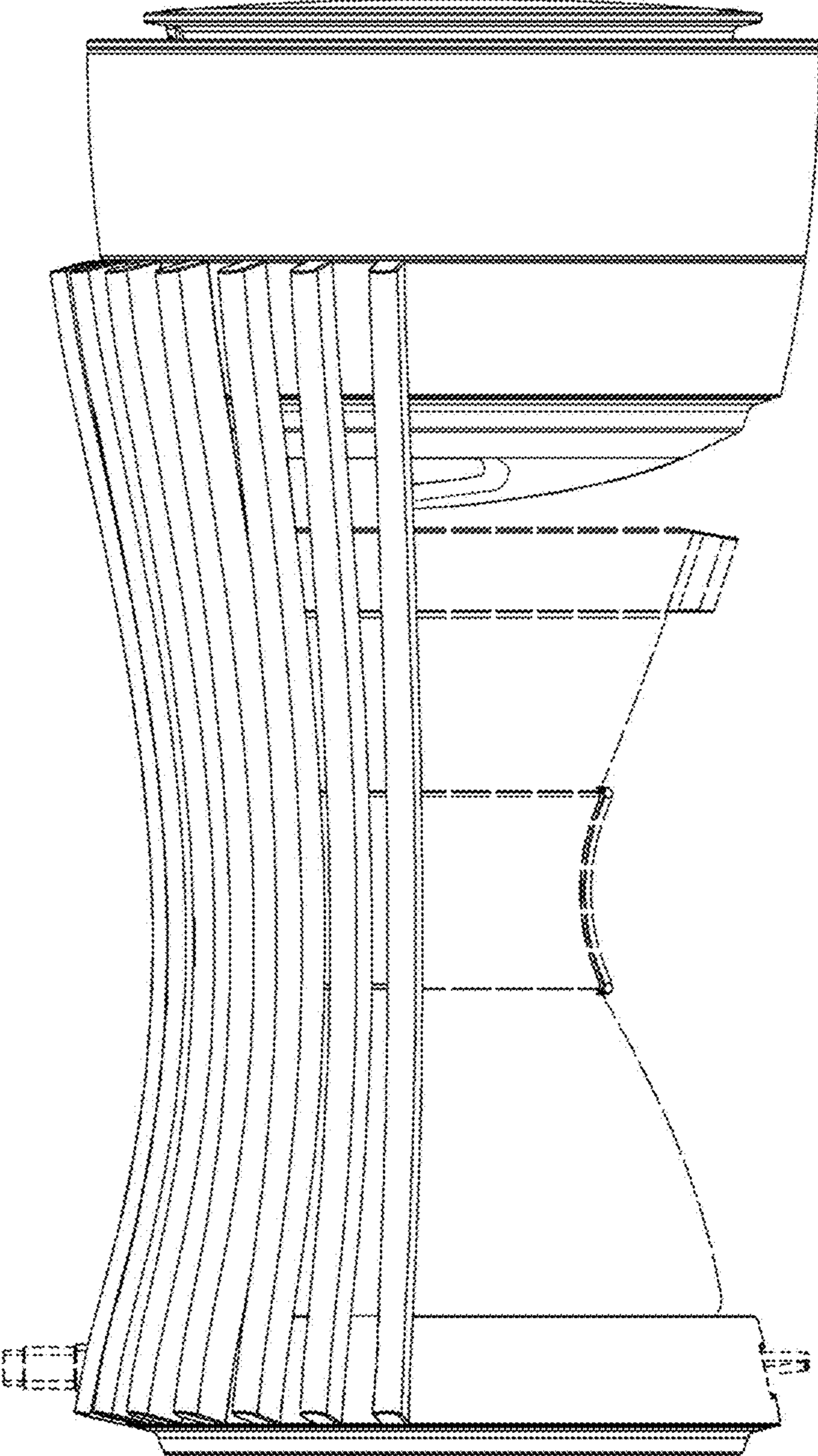


FIGURE 6

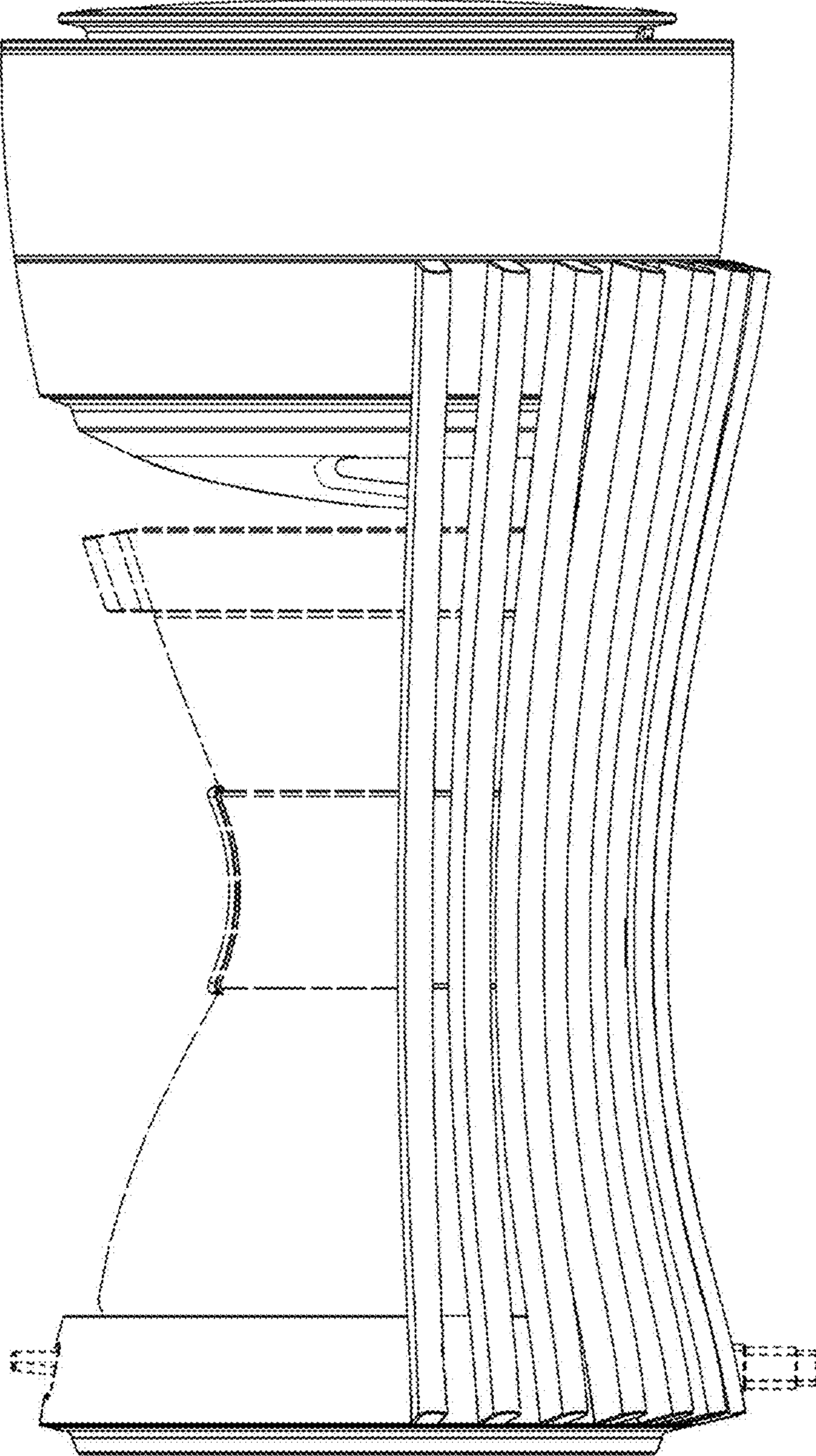


FIGURE 7

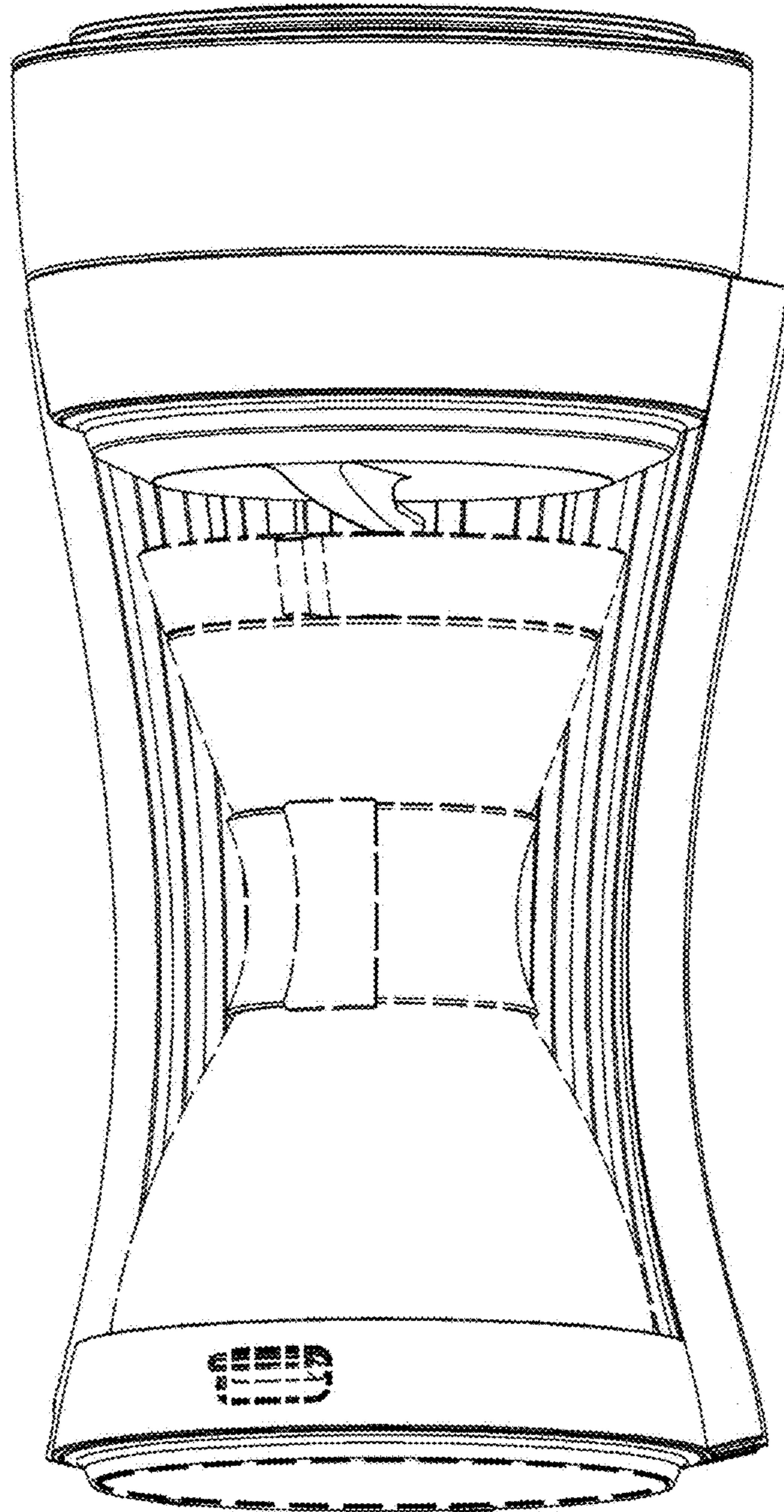


FIGURE 8

