



US00D852565S

(12) **United States Design Patent** (10) **Patent No.:** **US D852,565 S**
Zerhusen (45) **Date of Patent:** **** *Jul. 2, 2019**

- (54) **HEADBOARD**
- (71) Applicant: **Hill-Rom Services, Inc.**, Batesville, IN (US)
- (72) Inventor: **Robert M. Zerhusen**, Cincinnati, OH (US)
- (73) Assignee: **Hill-Rom Services, Inc.**, Batesville, IN (US)

- 4,811,435 A 3/1989 Foster et al.
- D301,411 S 6/1989 Schlapp
- 5,072,906 A 12/1991 Foster
- 5,299,338 A 4/1994 Foster
- 5,377,371 A 1/1995 Foster
- 5,396,673 A 3/1995 Foster
- 5,398,359 A 3/1995 Foster
- 5,455,975 A 10/1995 Foster
- 6,240,580 B1 6/2001 Hamilton et al.
- 6,363,552 B1 4/2002 Hornbach et al.
- D458,481 S 6/2002 Brooke

(Continued)

(*) Notice: This patent is subject to a terminal disclaimer.

(**) Term: **15 Years**

(21) Appl. No.: **29/628,760**

(22) Filed: **Dec. 7, 2017**

Related U.S. Application Data

(63) Continuation of application No. 29/566,377, filed on May 28, 2016, now Pat. No. Des. 804,885.

(51) **LOC (11) Cl.** **06-06**

(52) **U.S. Cl.**

USPC **D6/718.3**

(58) **Field of Classification Search**

USPC D6/390, 391, 392, 718.3; D24/184, 183
CPC A61G 7/00; A61G 7/005; A61G 7/015;
A61G 7/0506; A61G 7/0507; A61G
7/0513

See application file for complete search history.

(56) **References Cited**

U.S. PATENT DOCUMENTS

- 1,700,338 A 1/1929 Scoggins
- D158,433 S 5/1950 Zerhusen
- D229,381 S 11/1973 Zerhusen
- 3,930,273 A 1/1976 Stern
- 3,971,083 A 7/1976 Peterson
- D276,112 S 10/1984 Ferrell et al.
- 4,724,555 A 2/1988 Poehner et al.

OTHER PUBLICATIONS

No. 21-75 Grouping/Early American finished in No. 28 Maple, Hill-Rom, 1962, 1 page.

(Continued)

Primary Examiner — Cathron C Brooks

(74) *Attorney, Agent, or Firm* — Barnes & Thornburg LLP

(57)

CLAIM

I claim the ornamental design for a headboard, as shown and described.

DESCRIPTION

FIG. 1 is a front perspective view of the design of the headboard;

FIG. 2 is a front elevation view of the design of FIG. 1;

FIG. 3 is a rear elevation view of the design of FIG. 1;

FIG. 4 is a top plan view of the design of FIG. 1;

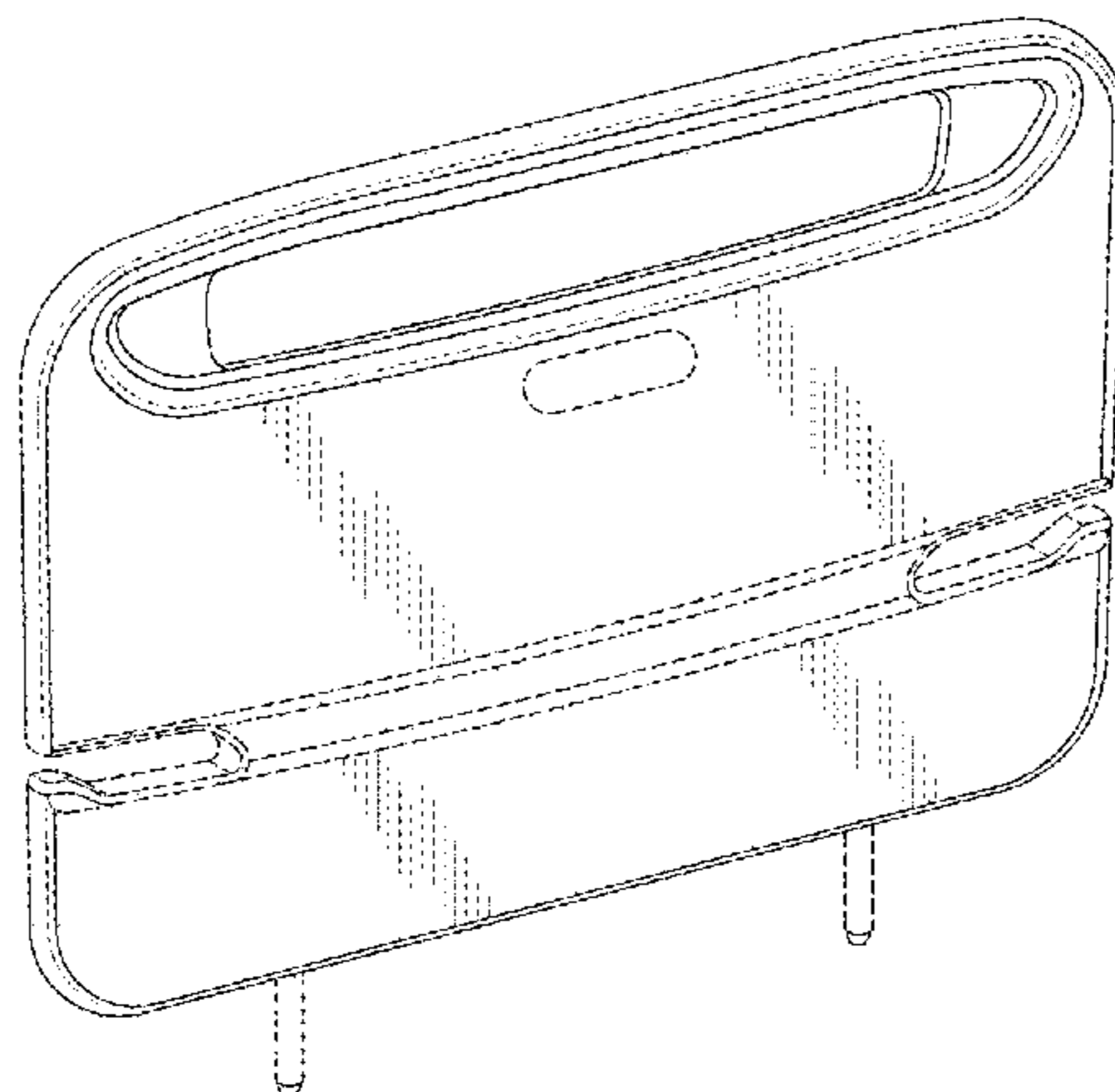
FIG. 5 is a bottom plan view of the design of FIG. 1;

FIG. 6 is a first side elevation view of the design of FIG. 1, with the opposite, second side elevation view being a mirror image of the first side elevation view; and,

FIG. 7 is a rear perspective view of the design of FIG. 1.

The features shown in broken lines depict environmental or unclaimed subject matter only and form no part of claimed design.

1 Claim, 6 Drawing Sheets



(56)

References Cited

U.S. PATENT DOCUMENTS

D459,119 S 6/2002 Brooke
 D463,179 S 9/2002 Brooke
 D479,070 S 9/2003 Goodwin et al.
 6,622,364 B2 9/2003 Hamilton et al.
 6,640,360 B2 11/2003 Hornbach et al.
 D488,941 S 4/2004 Lemire et al.
 D488,942 S 4/2004 Lemire et al.
 6,721,975 B1 4/2004 Lemire
 6,779,209 B2 8/2004 Ganance
 6,951,036 B2 10/2005 Lemire
 7,073,220 B2 7/2006 Simmonds et al.
 7,076,818 B2 7/2006 Kummer et al.
 7,107,637 B2 9/2006 Kuek et al.
 D553,382 S 10/2007 Hayes et al.
 7,487,558 B2 2/2009 Risk, Jr. et al.
 7,644,457 B2 1/2010 Hensley et al.
 7,712,166 B2 5/2010 Stryker et al.
 D616,678 S 6/2010 Heimbrock et al.
 D616,679 S 6/2010 Heimbrock et al.
 D617,586 S 6/2010 Heimbrock et al.
 D617,587 S 6/2010 Heimbrock et al.
 D617,588 S 6/2010 Heimbrock et al.
 D617,589 S 6/2010 Heimbrock et al.
 7,761,939 B2 7/2010 Wiggins et al.
 7,784,125 B2 8/2010 Morin et al.
 D627,985 S 11/2010 Salus
 7,836,531 B2 11/2010 Girard et al.
 D628,416 S 12/2010 Heimbrock et al.
 7,895,689 B2* 3/2011 Hayes A61G 7/015
 7,930,778 B2 4/2011 Wu et al. 5/400
 D640,887 S 7/2011 Heimbrock et al.
 D641,195 S 7/2011 DeLong
 7,971,291 B2 7/2011 Stryker et al.
 7,986,242 B2 7/2011 Dixon et al.
 8,143,846 B2 3/2012 Herman et al.
 8,205,280 B2 6/2012 Hensley et al.
 8,266,741 B2 9/2012 Penninger et al.
 8,296,884 B2 10/2012 Heimbrock
 8,341,777 B2 1/2013 Hensley et al.
 8,381,337 B2 2/2013 Zerhusen et al.
 8,387,179 B2 3/2013 Metz et al.

8,413,270 B2 4/2013 Turner et al.
 D706,427 S * 6/2014 Leng D24/183
 D707,480 S 6/2014 Heimbrock
 D710,507 S 8/2014 Leng et al.
 D710,510 S 8/2014 Leng et al.
 D710,810 S 8/2014 Noichi
 D804,884 S * 12/2017 Zerhusen D6/718.3
 D804,885 S 12/2017 Zerhusen
 D812,401 S 3/2018 Zerhusen
 2005/0172405 A1 8/2005 Menkedick et al.
 2006/0075560 A1 4/2006 Osborne et al.
 2006/0168729 A1 8/2006 Weismiller et al.
 2007/0130692 A1 6/2007 Lemire et al.
 2007/0163043 A1 7/2007 Lemire et al.
 2008/0005838 A1 1/2008 Wan Fong et al.
 2009/0031498 A1 2/2009 Girard et al.
 2009/0188731 A1 7/2009 Zerhusen et al.
 2011/0214234 A1 9/2011 Herman
 2012/0023675 A1 2/2012 Hutchison et al.
 2012/0047653 A1 3/2012 Metz et al.
 2012/0151678 A1 6/2012 Richards
 2013/0019405 A1 1/2013 Flanagan et al.
 2013/0117934 A1 5/2013 Heimbrock et al.
 2015/0128346 A1 5/2015 Hollyoak et al.

OTHER PUBLICATIONS

No. 16-75 Grouping/Italian Provincial finished in No. 69 Cathedral Oak, Hill-Rom, 1962, 1 page.
 No. 2101-1 Grouping/Early American finished in No. 28 Maple, Hill-Rom, 1962, 1 page.
 The Advance 2000® Bed from Hill-Rom, Hill-Rom 1993, 18 pages.
 A Hill-Rom Solution Affinity II Bed, Hill-Rom 1896, 6 pages.
 Affinity® Three Birthing Bed, Hill-Rom Services, Inc. 2000, 2 pages.
 TotalCare® Connect Bed and TotalCare® Bed, Options and Accessories, Hill-Rom Services, Inc. 2008, 8 pages.
 Hill-Rome® Med-Surg Beds Traction Catalog Part Descriptions and Ordering Information, Hill-Rom Services, Inc. 2007, 12 pages.
 A Hill-Rom Solution Totalcare Bed System, Hill-Rom 1998, 8 pages.
 User Manual TotalCare® Bed System from Hill-Rom, Product No. P1900-00, Hill-Rom Services, Inc. 2000, 64 pages.

* cited by examiner

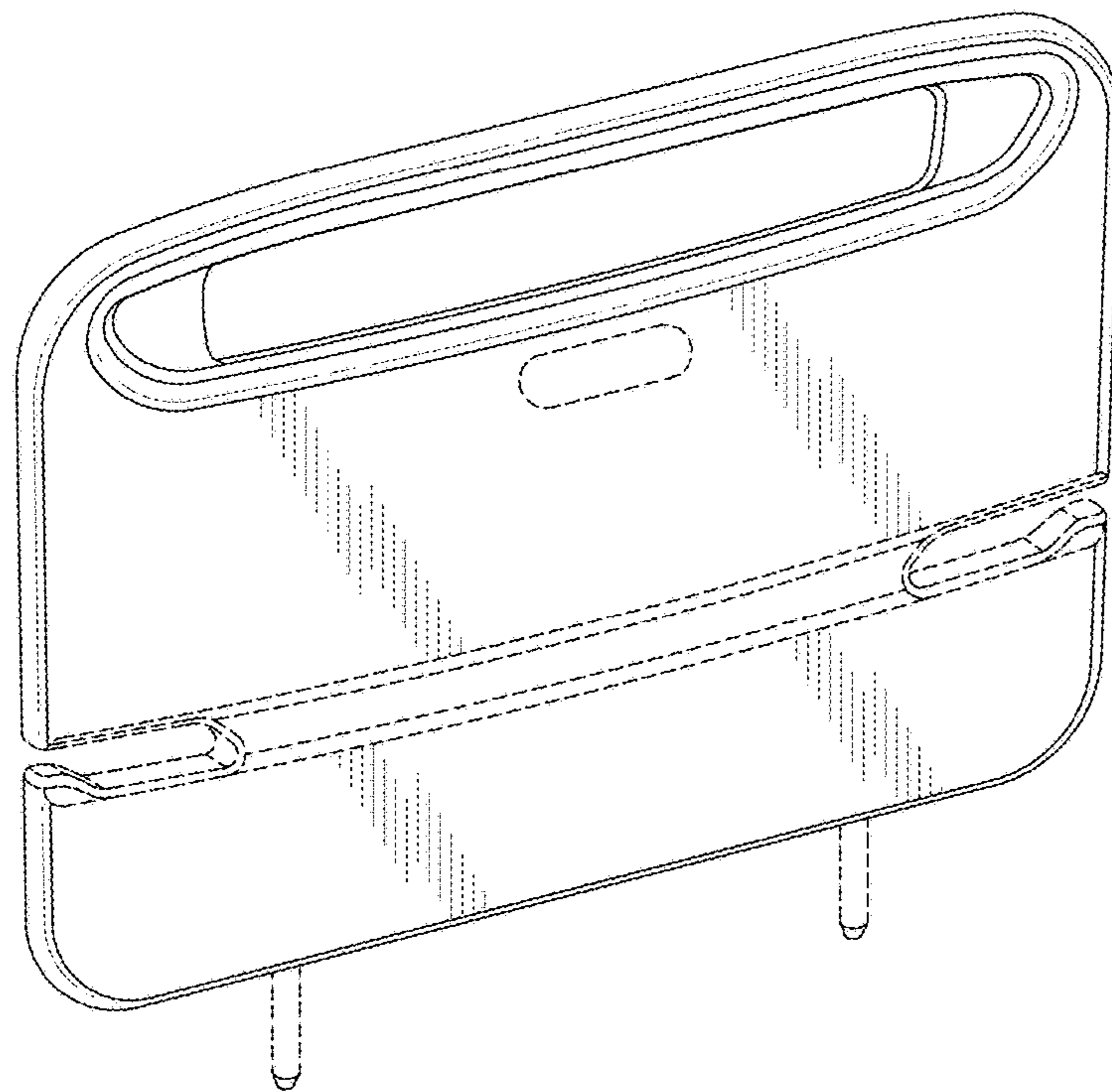


Fig. 1

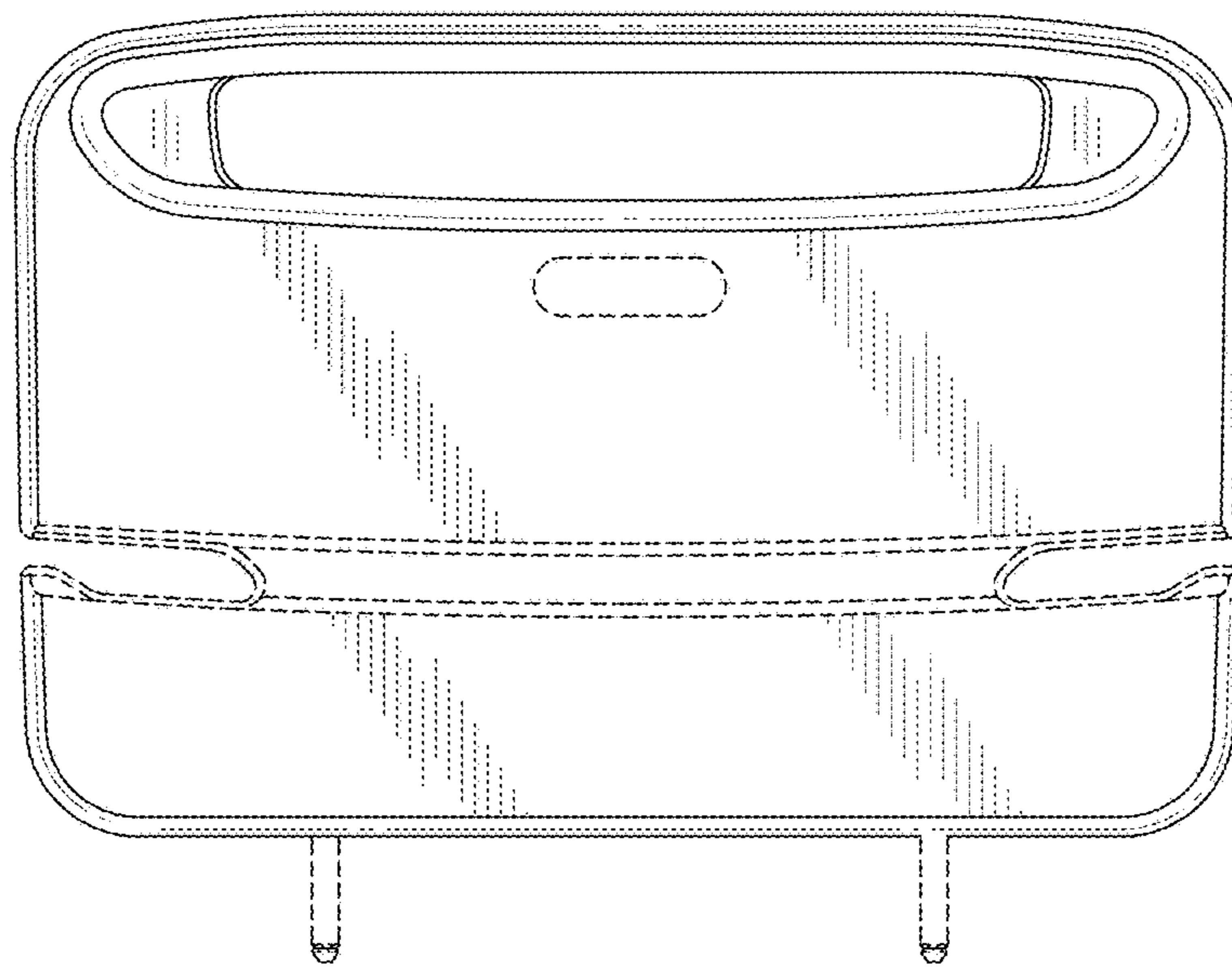


Fig. 2

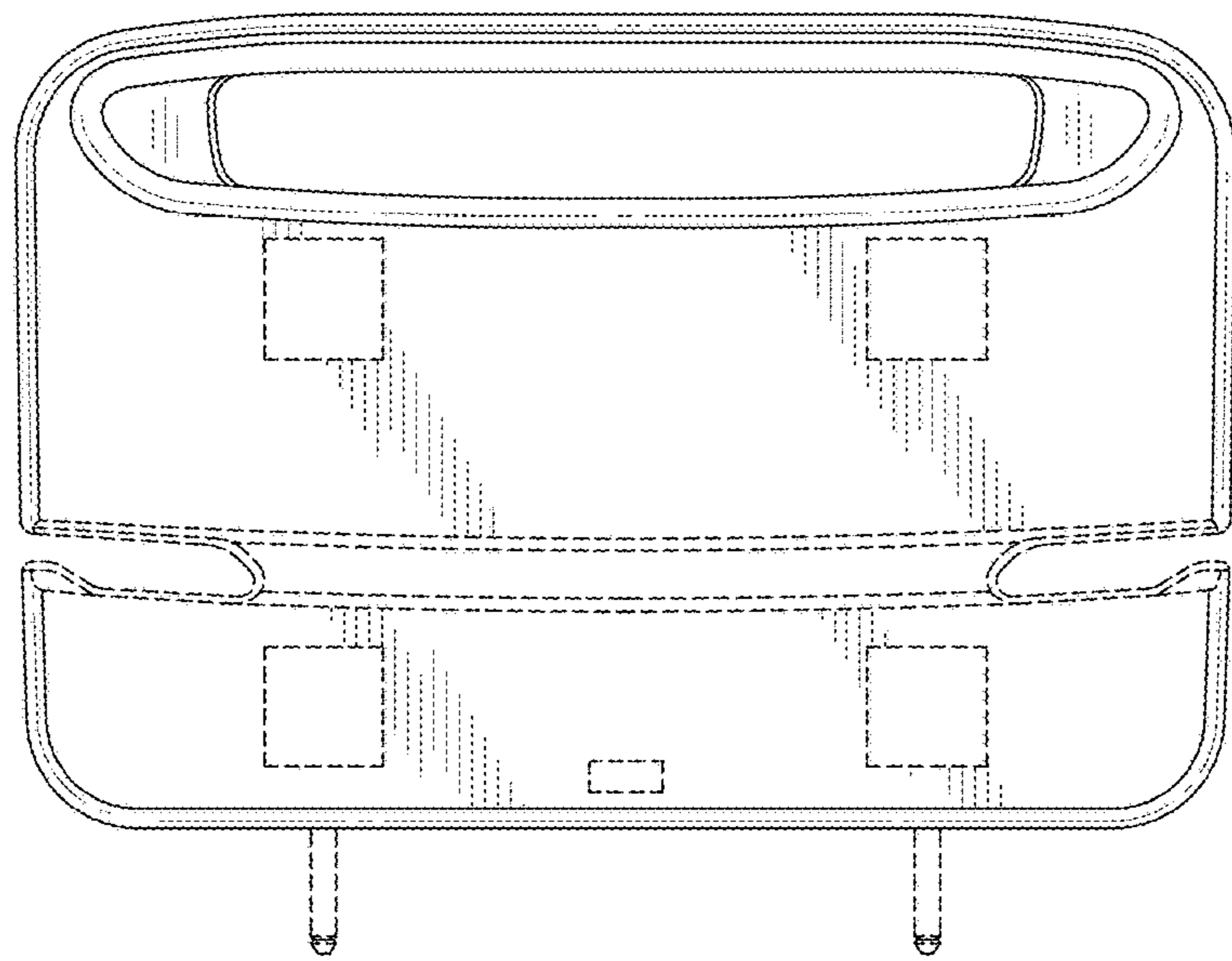


Fig. 3

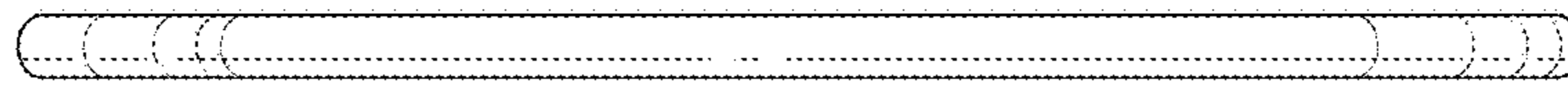


Fig. 4



Fig. 5

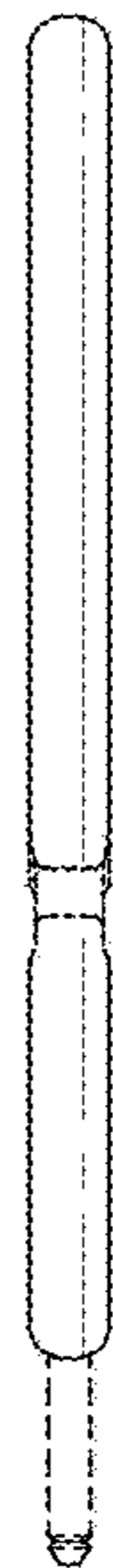


Fig. 6

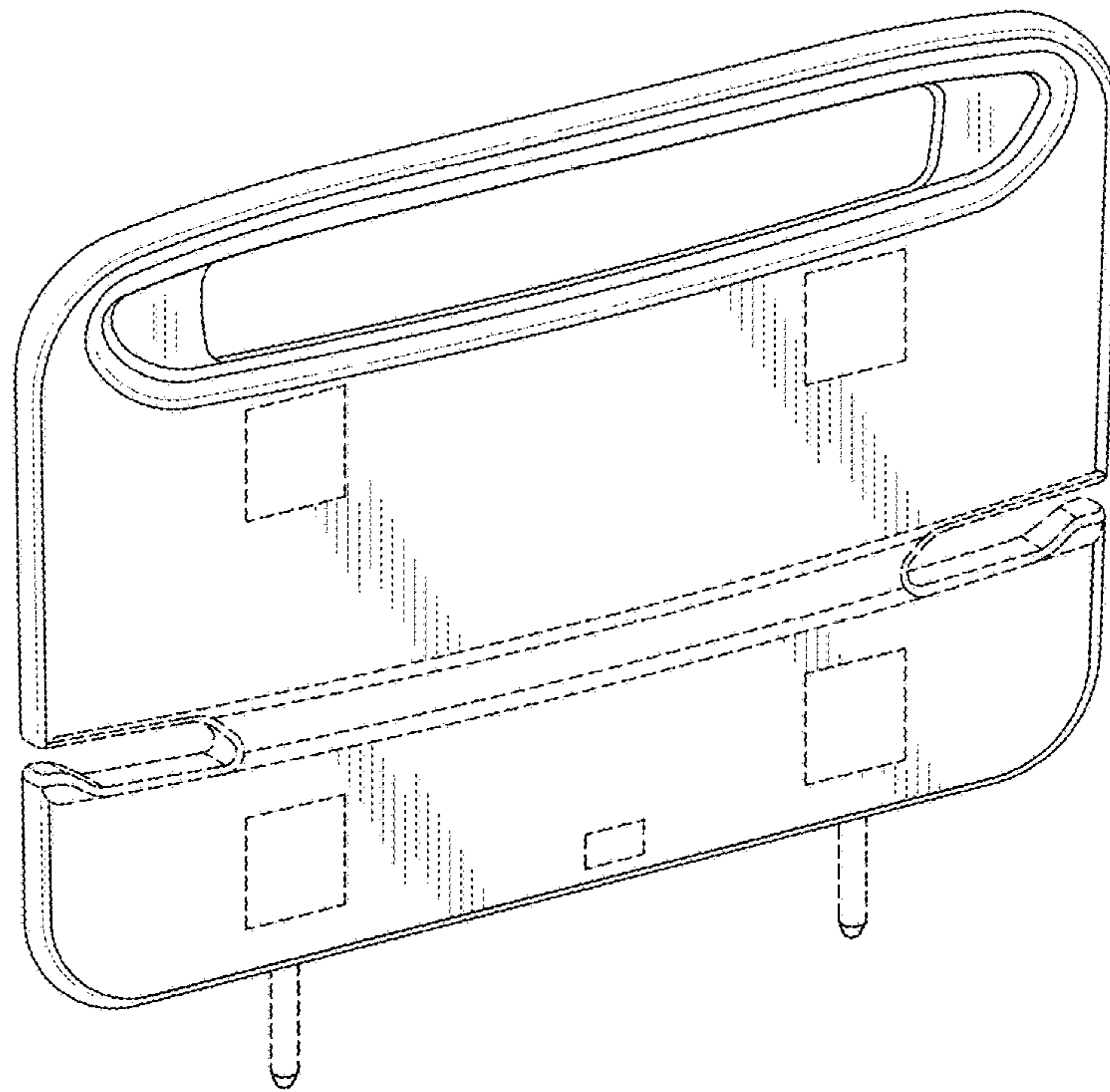


Fig. 7