



US00D852564S

(12) **United States Design Patent**
Li et al.

(10) **Patent No.:** **US D852,564 S**

(45) **Date of Patent:** **** Jul. 2, 2019**

- (54) **HEADREST**
- (71) Applicant: **Dongguan Zhijie Automation Equipment Co., Ltd., Dongguan (CN)**
- (72) Inventors: **Chungeng Li, Dongguan (CN); Wei Huang, Dongguan (CN)**
- (73) Assignee: **Dongguan Zhijie Automation Equipment Co., Ltd., Dongguan (CN)**
- (**) Term: **15 Years**
- (21) Appl. No.: **29/600,611**
- (22) Filed: **Apr. 13, 2017**
- (51) **LOC (11) Cl.** **06-06**
- (52) **U.S. Cl.**
USPC **D6/716.5**
- (58) **Field of Classification Search**
USPC D6/601, 655, 716.1, 716.2, 716.3, 716.4, D6/716.5, 716.6, 716.7
CPC A47C 7/383; A47D 13/083; B60N 2/0252; B60N 2/80; B60N 2/882; B60N 2/891; B60N 2/2851; B29L 2031/3023
See application file for complete search history.

(56) **References Cited**

U.S. PATENT DOCUMENTS

- D247,312 S * 2/1978 Zeiss D24/215
- D251,168 S * 2/1979 Perkey D6/601
- D263,190 S * 3/1982 Herr 5/636
- D285,512 S * 9/1986 Bool D6/596
- 4,679,262 A * 7/1987 Davis A47C 7/383
297/391
- D292,767 S * 11/1987 Challen D6/596
- D316,354 S * 4/1991 Bool D6/601
- D318,202 S * 7/1991 Weber D6/601
- 5,029,351 A * 7/1991 Weber A47D 13/083
5/655
- D321,562 S * 11/1991 Ljungvall 5/646

- 5,129,705 A * 7/1992 Wray A47C 7/383
297/397
- D343,080 S * 1/1994 Kentner D6/716.5
- D354,876 S * 1/1995 Pace D6/596
- D358,957 S * 6/1995 Propp D6/601
- 5,486,037 A * 1/1996 Harper B60N 2/28
297/397
- D384,233 S * 9/1997 Civitarese D6/601
- 6,378,950 B1 * 4/2002 Takamizu B60N 2/0284
297/484
- 6,669,300 B1 * 12/2003 Lee B60N 2/882
297/397
- 7,021,710 B2 * 4/2006 Kain B60N 2/2851
297/250.1
- D542,071 S * 5/2007 Chan D6/601
- D595,986 S * 7/2009 Kloes D6/601
- D624,777 S * 10/2010 Pepys D6/601
- D628,845 S * 12/2010 Guner D6/601
- D708,886 S * 7/2014 Braca D6/716.5
- D724,368 S * 3/2015 Nicholas D6/716.5
- D787,232 S * 5/2017 Kassab Arabo D6/601

(Continued)

Primary Examiner — Kevin K Rudzinski
Assistant Examiner — Paul D Bohannon
(74) *Attorney, Agent, or Firm* — Wang Law Firm, Inc.

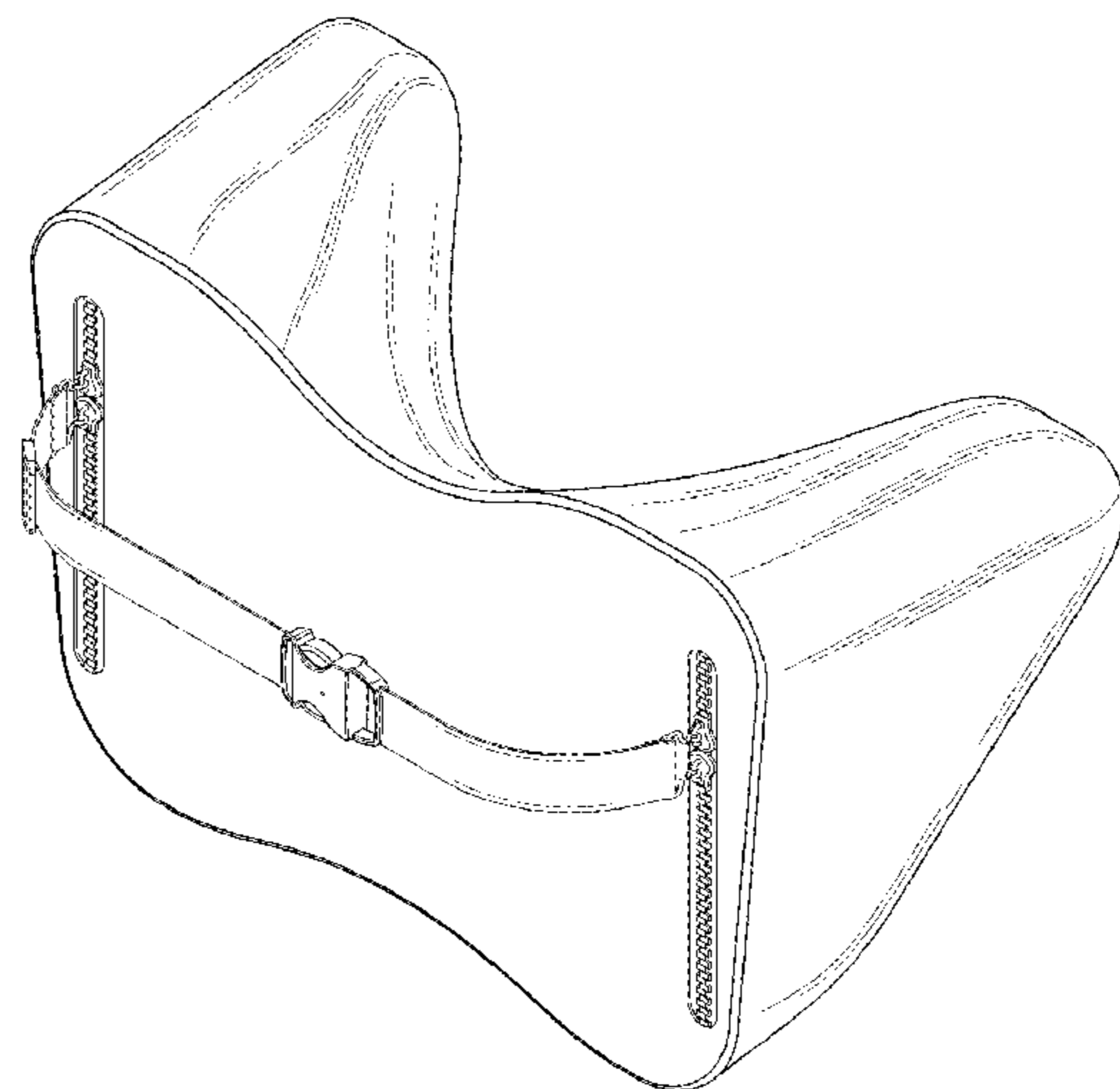
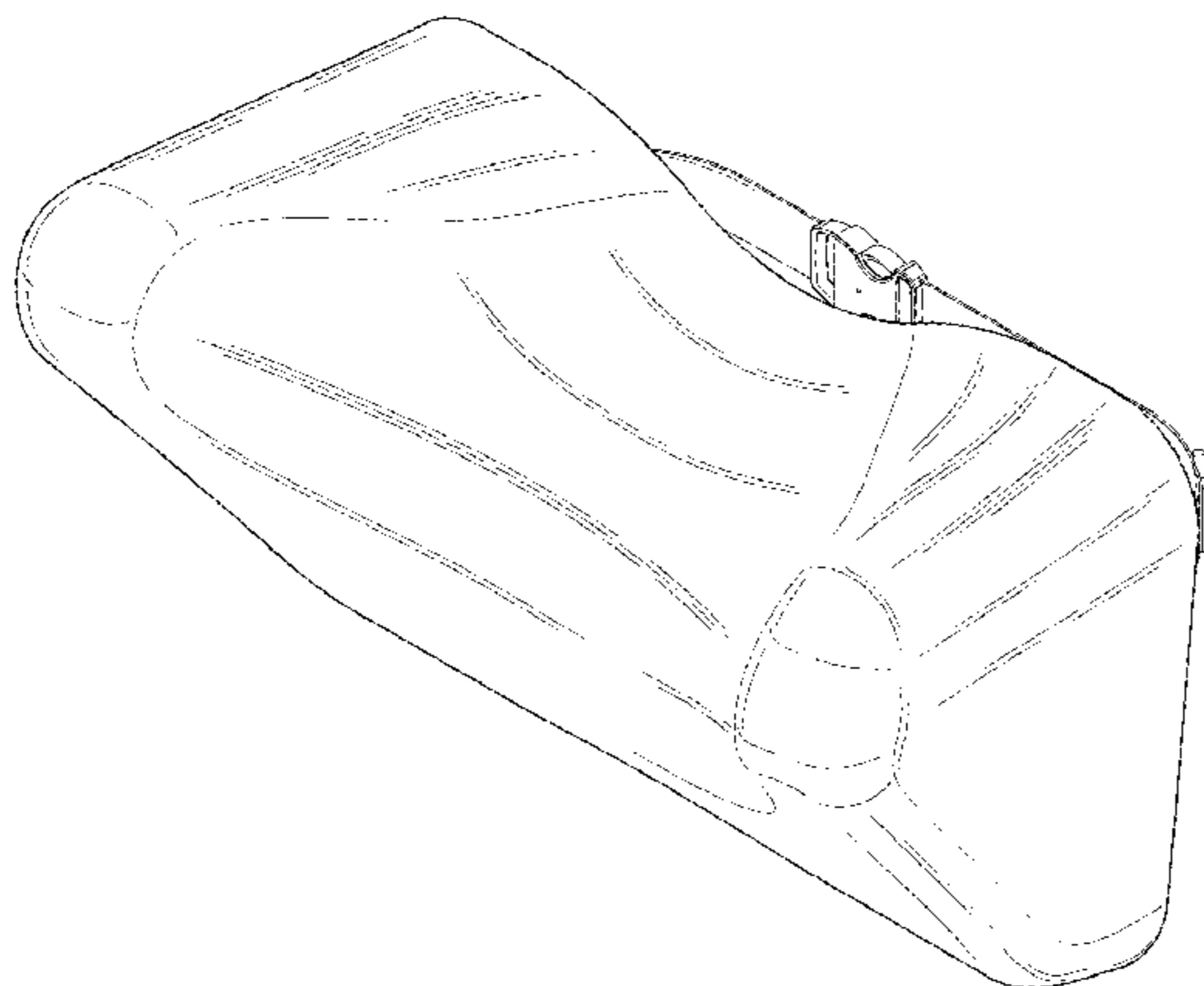
(57) **CLAIM**

The ornamental design for a headrest, as shown and described.

DESCRIPTION

FIG. 1 is a perspective view of the headrest showing my new design;
FIG. 2 is a front elevation view thereof;
FIG. 3 is a rear elevation view thereof;
FIG. 4 is left side view thereof;
FIG. 5 is a top plan view thereof;
FIG. 6 is a bottom plan view thereof; and,
FIG. 7 is a perspective view of the headrest from another angle of view showing my new design.

1 Claim, 7 Drawing Sheets



(56)

References Cited

U.S. PATENT DOCUMENTS

2004/0239166 A1* 12/2004 Kihlberg B60N 2/2812
297/250.1
2016/0066707 A1* 3/2016 Telford A47D 13/083
5/655
2018/0281638 A1* 10/2018 Chu B60R 7/04

* cited by examiner

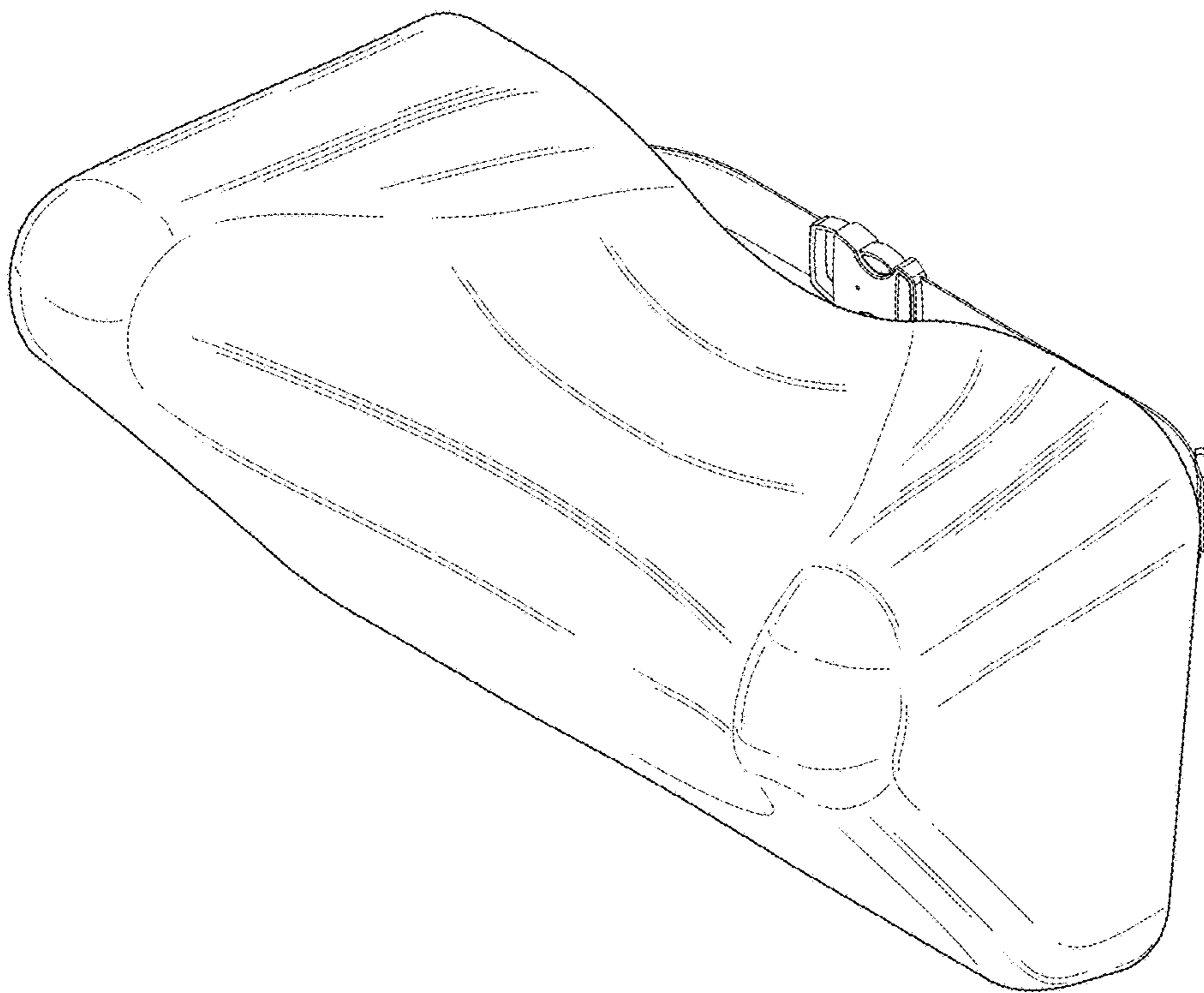


FIG.1

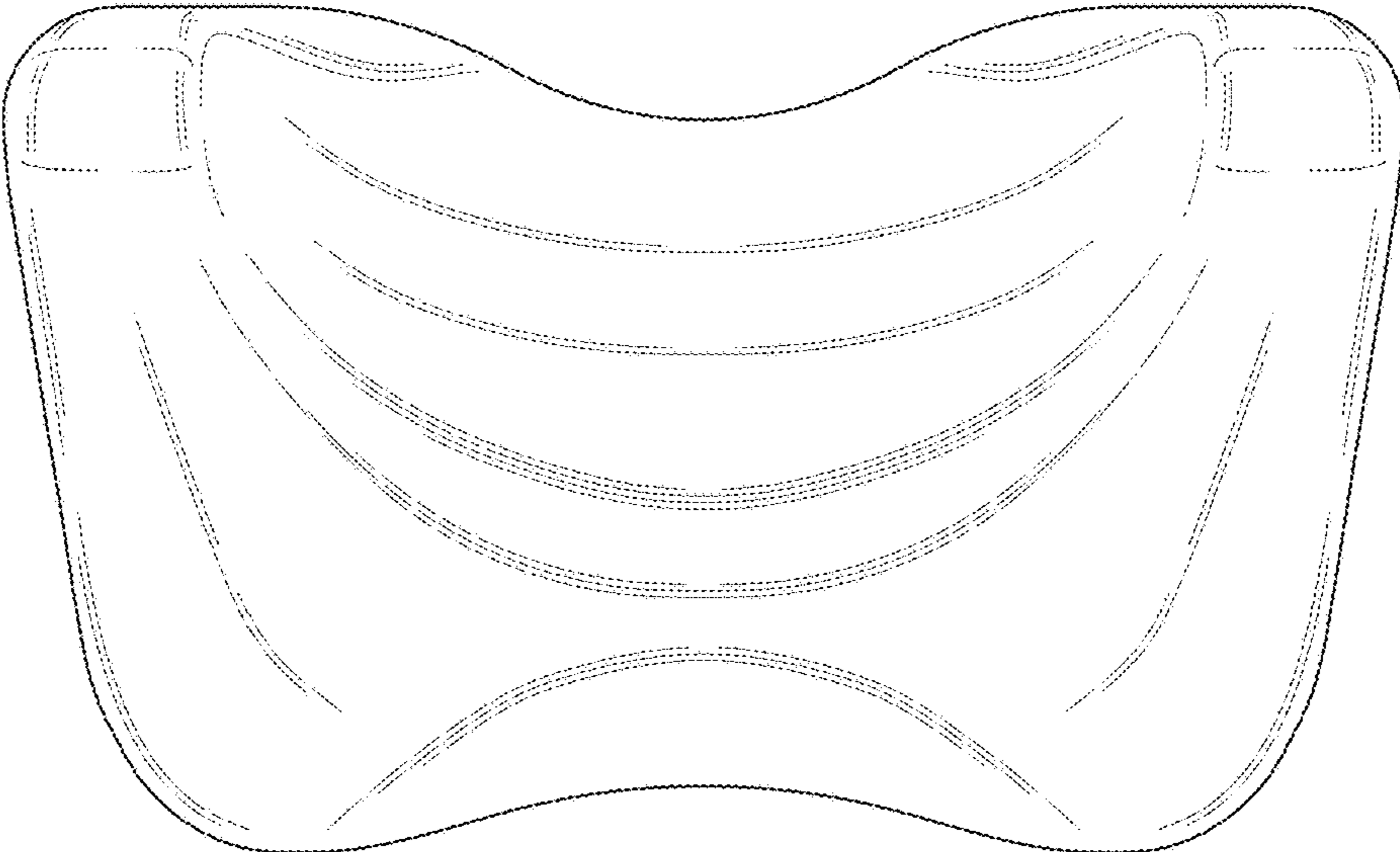


FIG.2

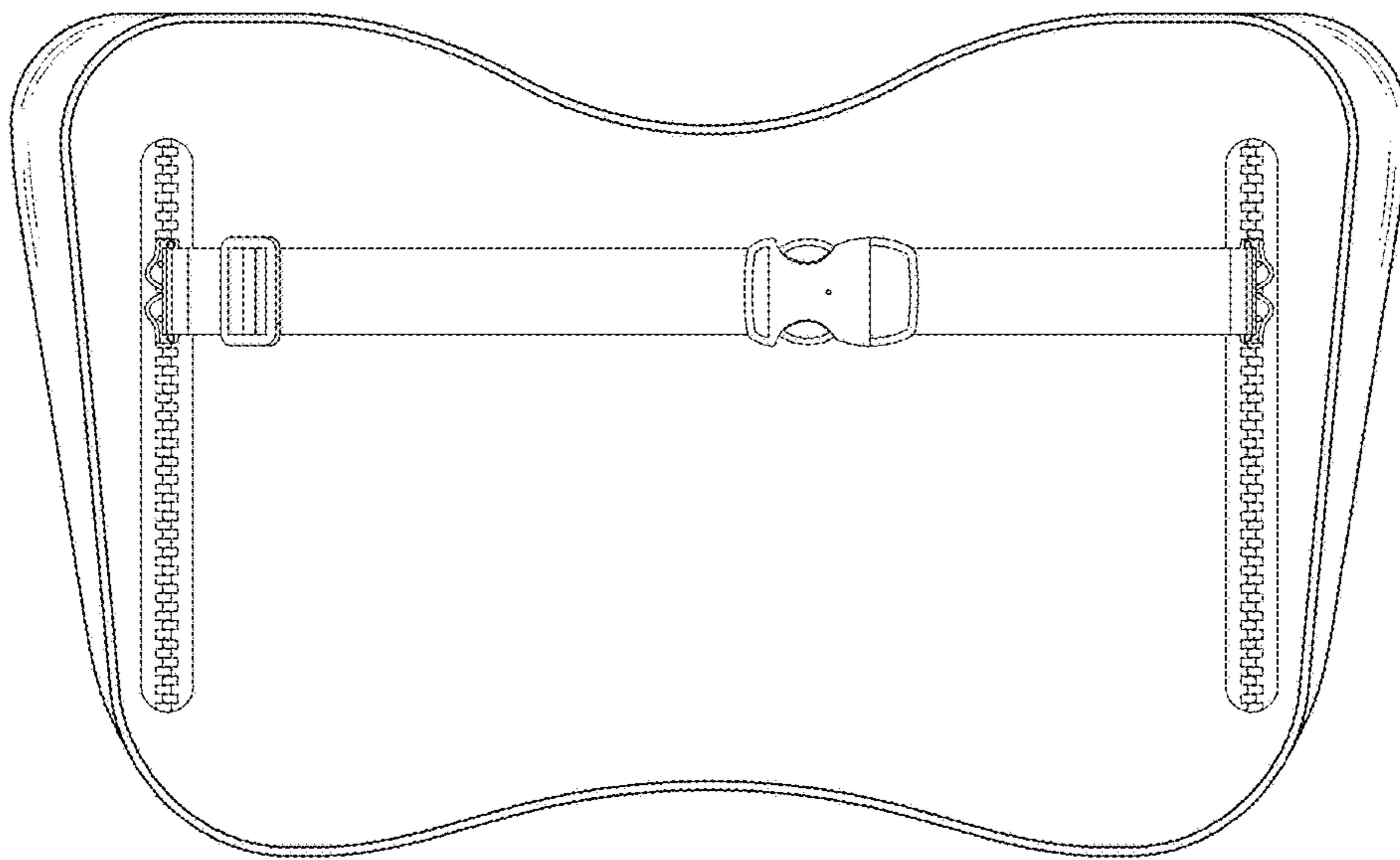


FIG.3

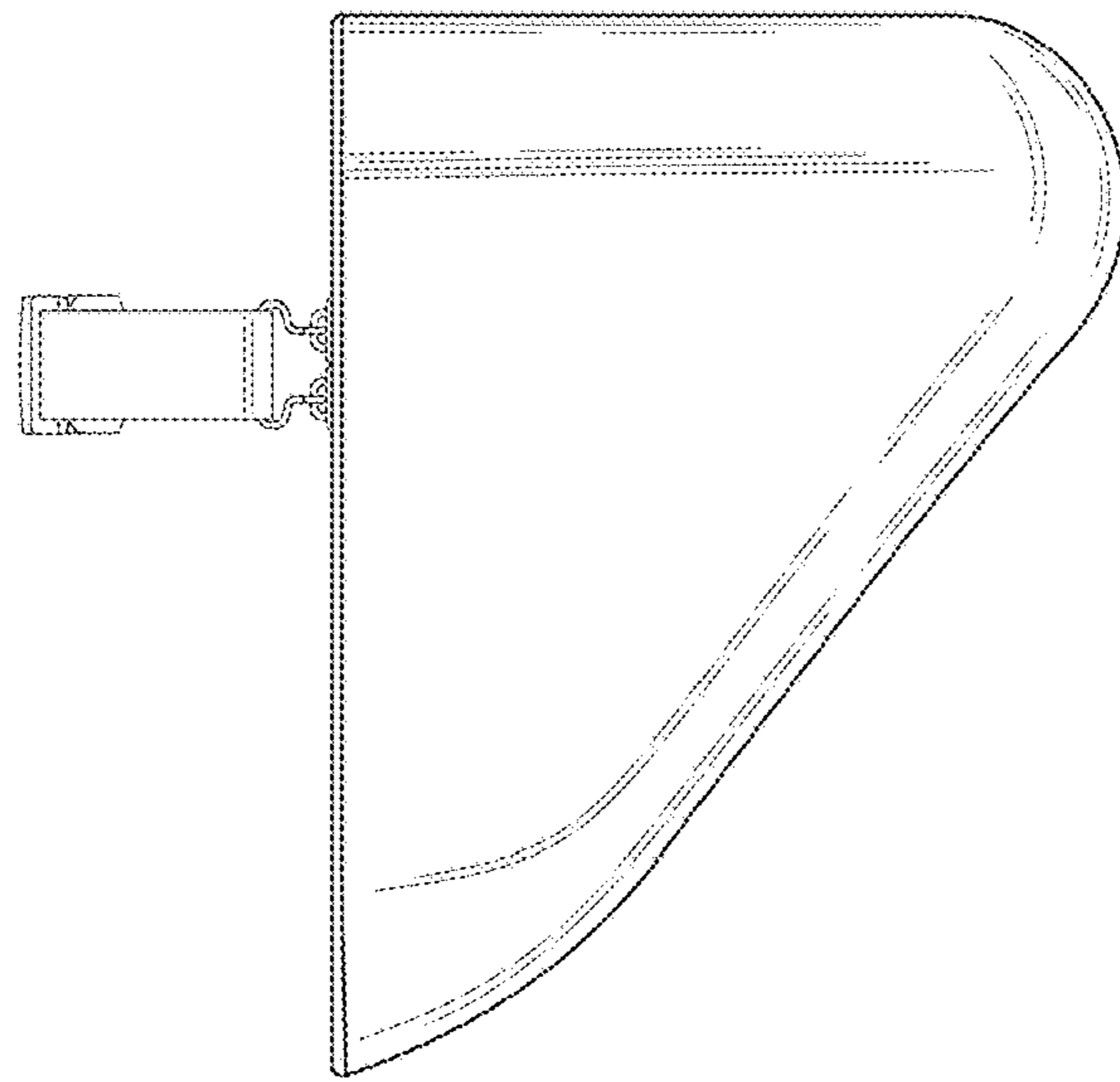


FIG.4

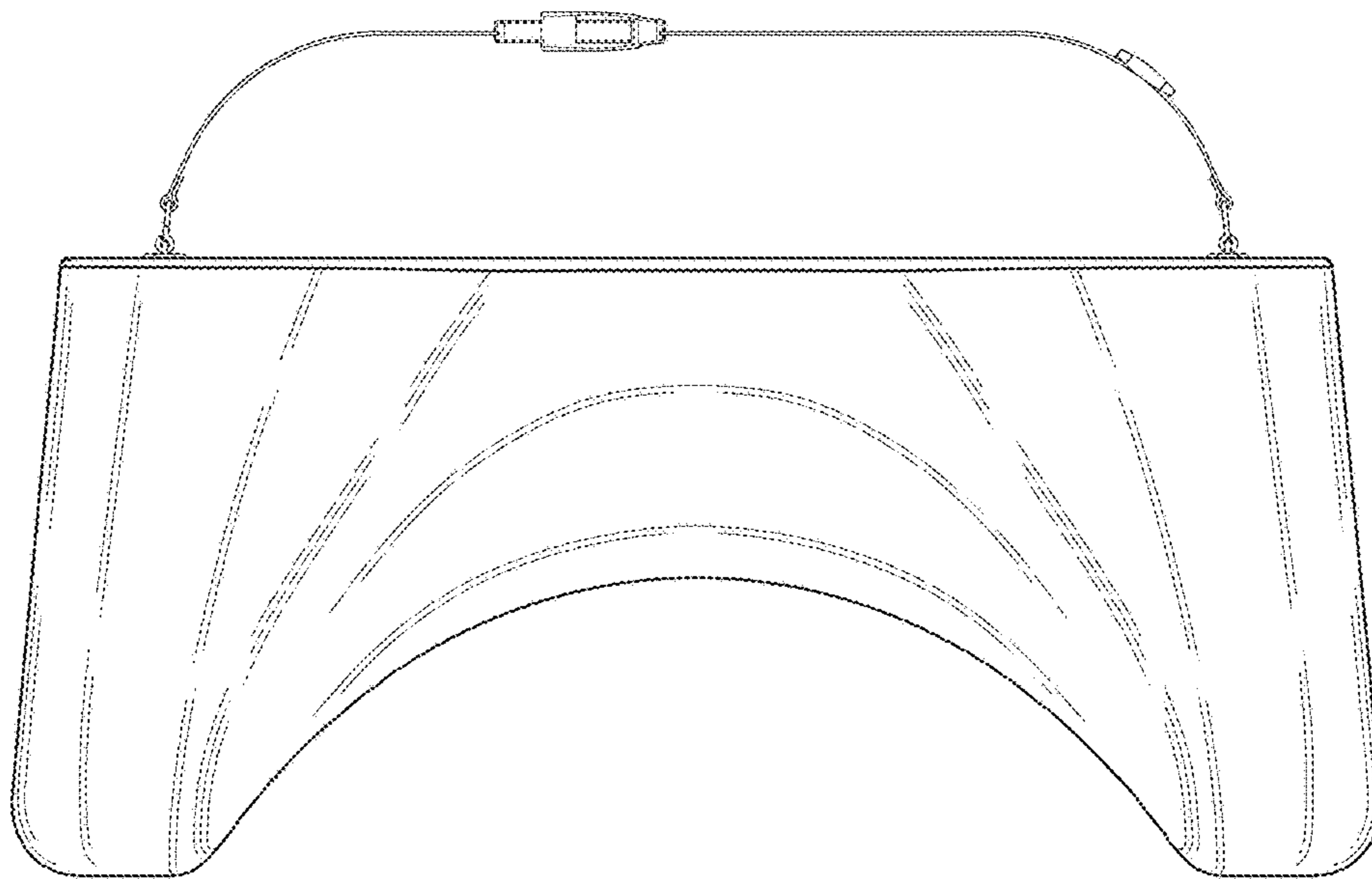


FIG.5

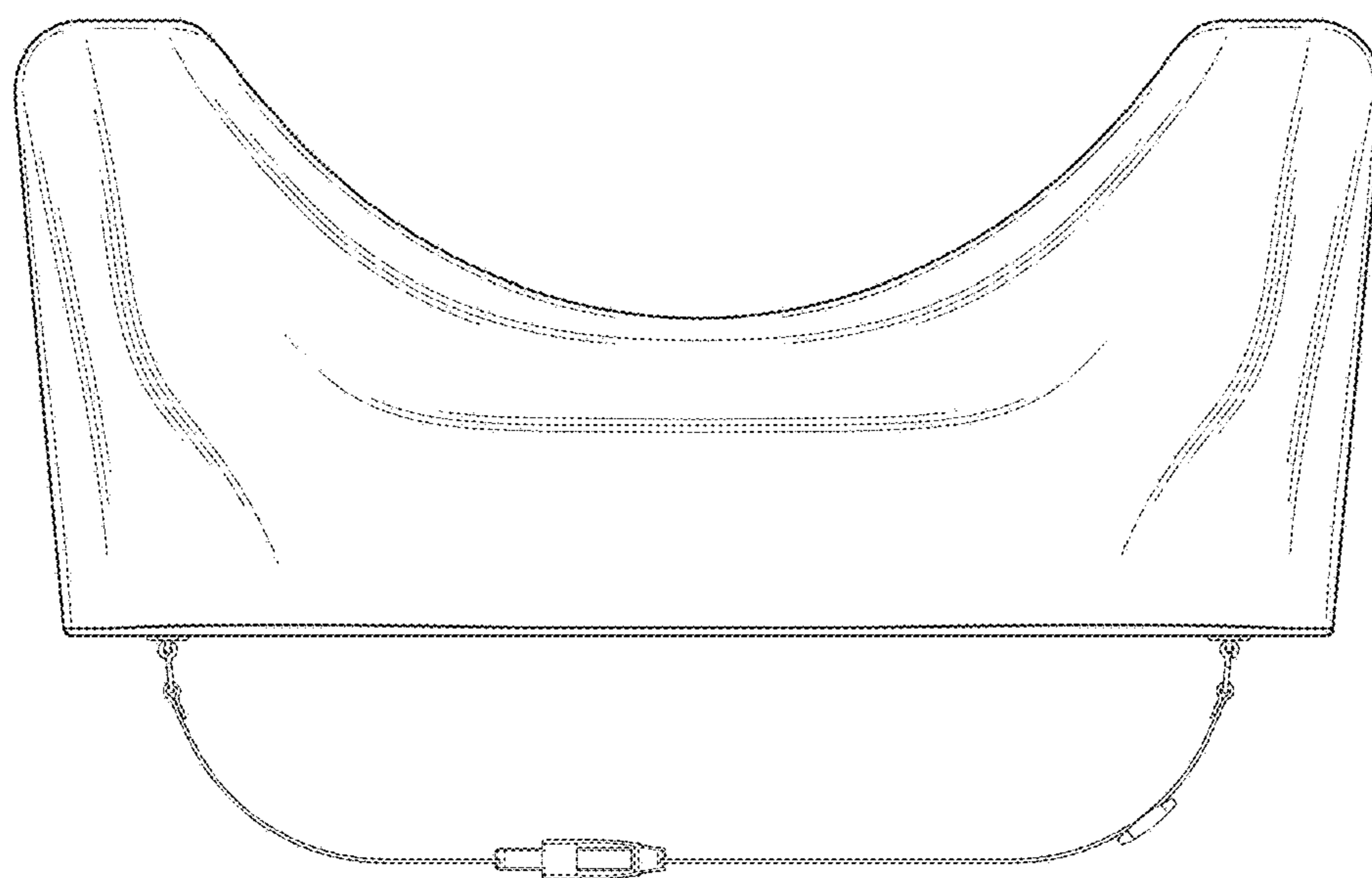


FIG.6

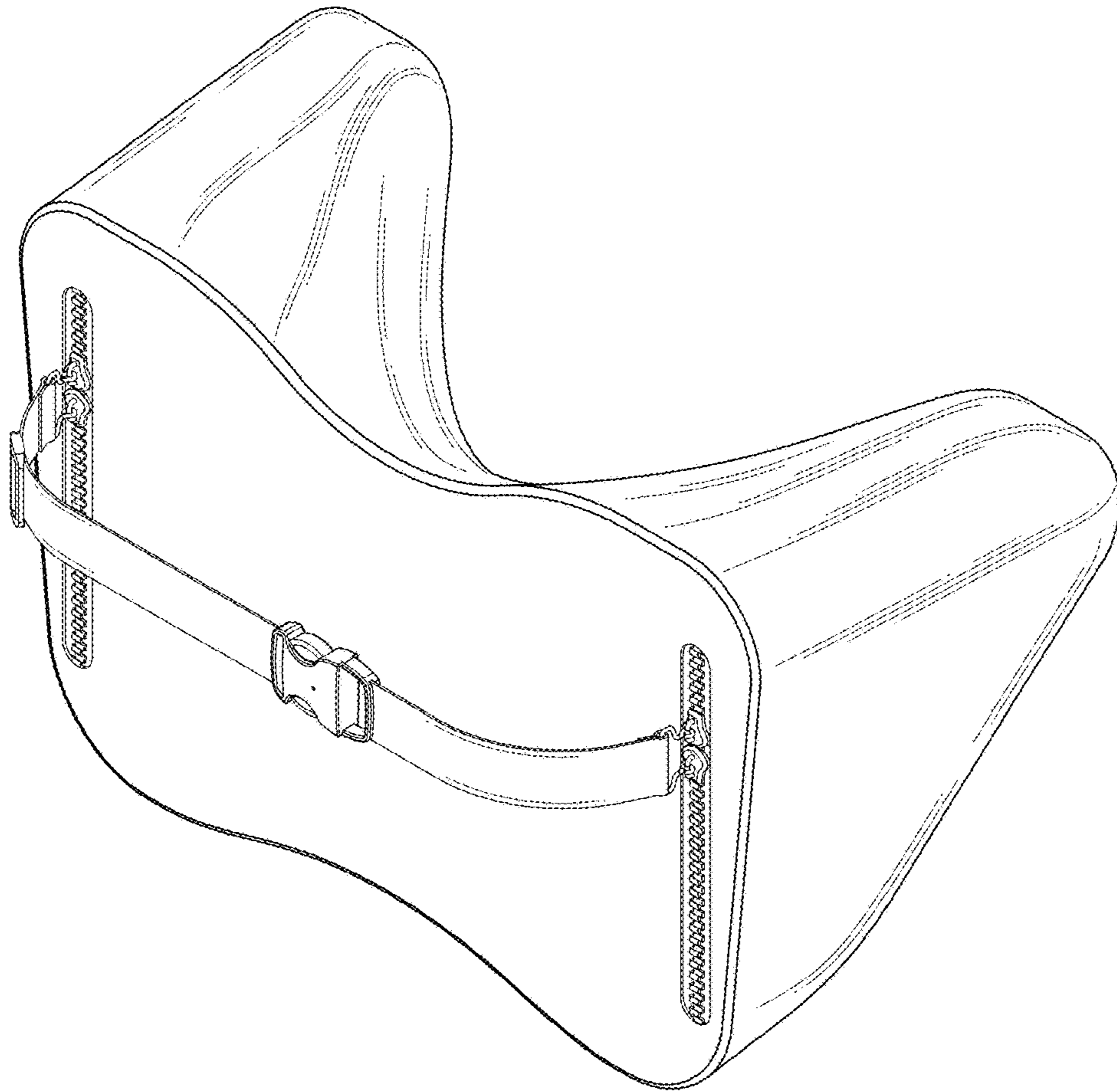


FIG.7