



US00D852563S

(12) **United States Design Patent**  
**Shen**

(10) **Patent No.:** **US D852,563 S**

(45) **Date of Patent:** **\*\* Jul. 2, 2019**

(54) **OFFICE CHAIR**

(71) Applicant: **NINGBO MEIYING ELECTRONIC TECHNOLOGY CO., LTD**, Ningbo (CN)

(72) Inventor: **Yinuo Shen**, Cixi (CN)

(73) Assignee: **Ningbo Meiyong Electronic Technology Co., Ltd**, Ningbo (CN)

(\*\*) Term: **15 Years**

(21) Appl. No.: **29/683,697**

(22) Filed: **Mar. 14, 2019**

**Related U.S. Application Data**

(63) Continuation-in-part of application No. 29/656,310, filed on Jul. 11, 2018.

(51) **LOC (11) Cl.** ..... **06-01**

(52) **U.S. Cl.**  
USPC ..... **D6/716; D6/366**

(58) **Field of Classification Search**  
USPC ..... D6/334-336, 356, 364, 365, 366, 367, D6/374, 375, 379, 380, 716, 716.1, 716.3, D6/716.4  
CPC ..... A47C 4/028; A47C 7/022; A47C 7/18; A47C 7/38; A47C 7/40; B60N 2/02; B60N 2/22; B60N 2/58

See application file for complete search history.

(56) **References Cited**

**U.S. PATENT DOCUMENTS**

|              |         |                  |        |
|--------------|---------|------------------|--------|
| D317,534 S * | 6/1991  | Hansel .....     | D6/356 |
| D396,152 S * | 7/1998  | Beermann .....   | D6/356 |
| D406,475 S * | 3/1999  | Shovlowsky ..... | D6/366 |
| D509,077 S * | 9/2005  | Beermann .....   | D6/356 |
| D532,211 S   | 11/2006 | Su               |        |
| D542,547 S   | 5/2007  | Su               |        |
| D549,475 S   | 8/2007  | Su               |        |
| D612,623 S * | 3/2010  | Smit .....       | D6/366 |
| D612,641 S * | 3/2010  | Smit .....       | D6/366 |

|              |        |            |        |
|--------------|--------|------------|--------|
| D807,072 S * | 1/2018 | Mao .....  | D6/366 |
| D809,313 S   | 2/2018 | Mao et al. |        |
| D811,145 S * | 2/2018 | Li .....   | D6/716 |

**OTHER PUBLICATIONS**

“Giantex Racing Style Gaming Chair with Adjustable Armrest High Back Office Chair Computer Desk Task Chair (Black&White)”, Retrieved Mar. 14, 2019]. Retrieved from Internet, [https://www.amazon.com/dp/B01M0DOCD2/ref=sspa\\_dk\\_detail\\_1?psc=1&pd\\_rd\\_i=B01M0DOCD2](https://www.amazon.com/dp/B01M0DOCD2/ref=sspa_dk_detail_1?psc=1&pd_rd_i=B01M0DOCD2).

“Homall Executive black leather Gaming chair, racing style high-back office chair with lumbar support and headrest, leather, white”, Retrieved Mar. 14, 2019]. Retrieved from Internet, [https://www.amazon.com/Homall-High-Back-Computer-Executive-Ergonomic/dp/B01MRZ02TL/ref=sr\\_1\\_15?\\_mk\\_zh\\_CN=%E4%BA%9A%E9%A9%AC%E9%80%8A%E7%BD%91%E7%AB%99&keywords=office+chair&qid=1552543624&s=gateway&sr=8-15](https://www.amazon.com/Homall-High-Back-Computer-Executive-Ergonomic/dp/B01MRZ02TL/ref=sr_1_15?_mk_zh_CN=%E4%BA%9A%E9%A9%AC%E9%80%8A%E7%BD%91%E7%AB%99&keywords=office+chair&qid=1552543624&s=gateway&sr=8-15).

\* cited by examiner

*Primary Examiner* — Mimosa De

(57) **CLAIM**

The ornamental design for an office chair, as shown and described.

**DESCRIPTION**

FIG. 1 is a perspective view of an office chair showing my new design;  
FIG. 2 is another perspective view thereof;  
FIG. 3 is a front elevational view thereof;  
FIG. 4 is a rear elevational view thereof;  
FIG. 5 is a left side elevational view thereof;  
FIG. 6 is a right side elevational view thereof;  
FIG. 7 is a top plan view thereof;  
FIG. 8 is a bottom plan view thereof;  
FIG. 9 is an enlarged view of portion 9 shown in FIG. 1; and,  
FIG. 10 is an enlarged view of portion 10 shown in FIG. 1.  
The broken lines in the drawings depict portions of the office chair that form no part of the claimed design.

**1 Claim, 10 Drawing Sheets**

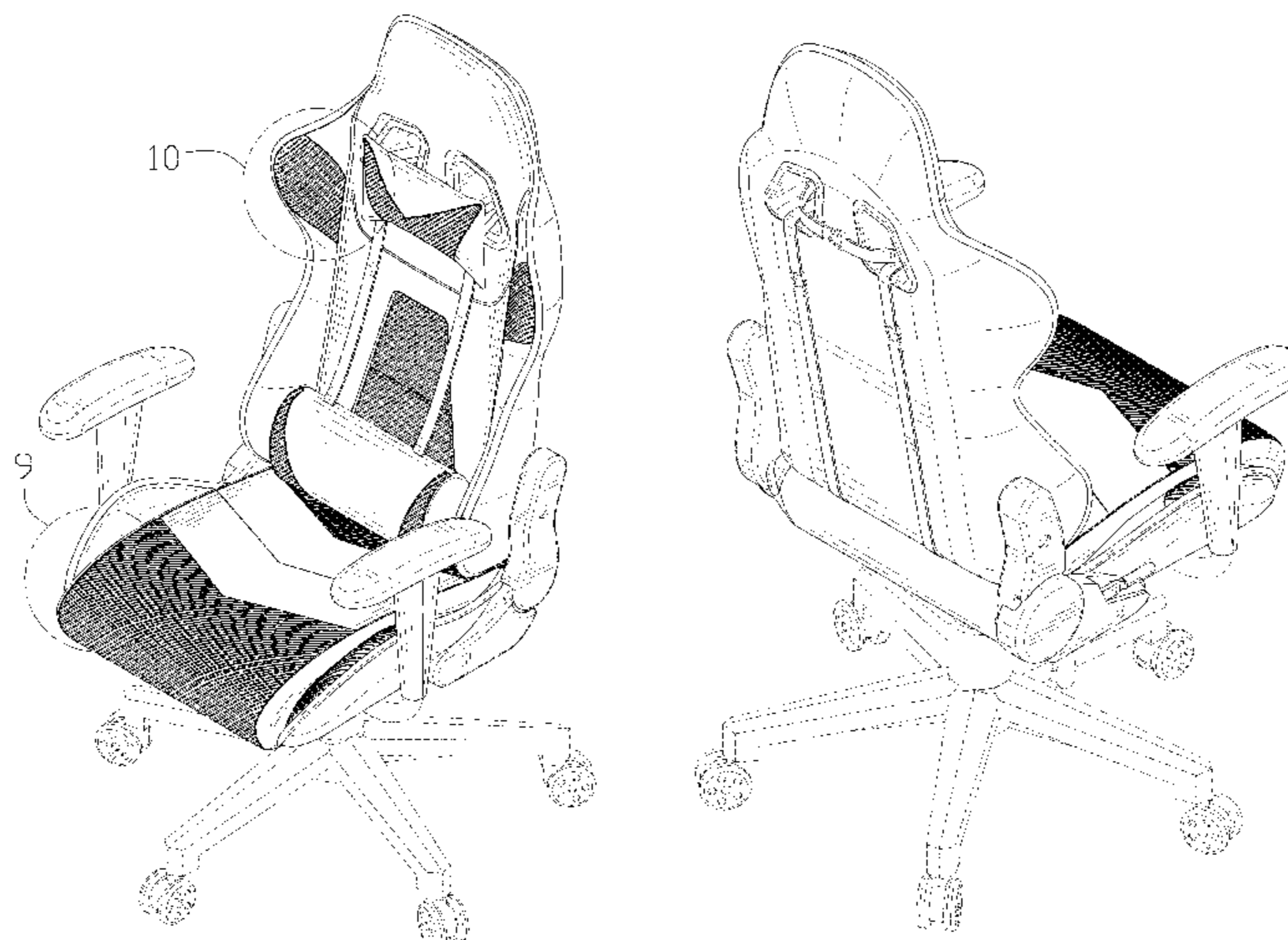




FIG. 1



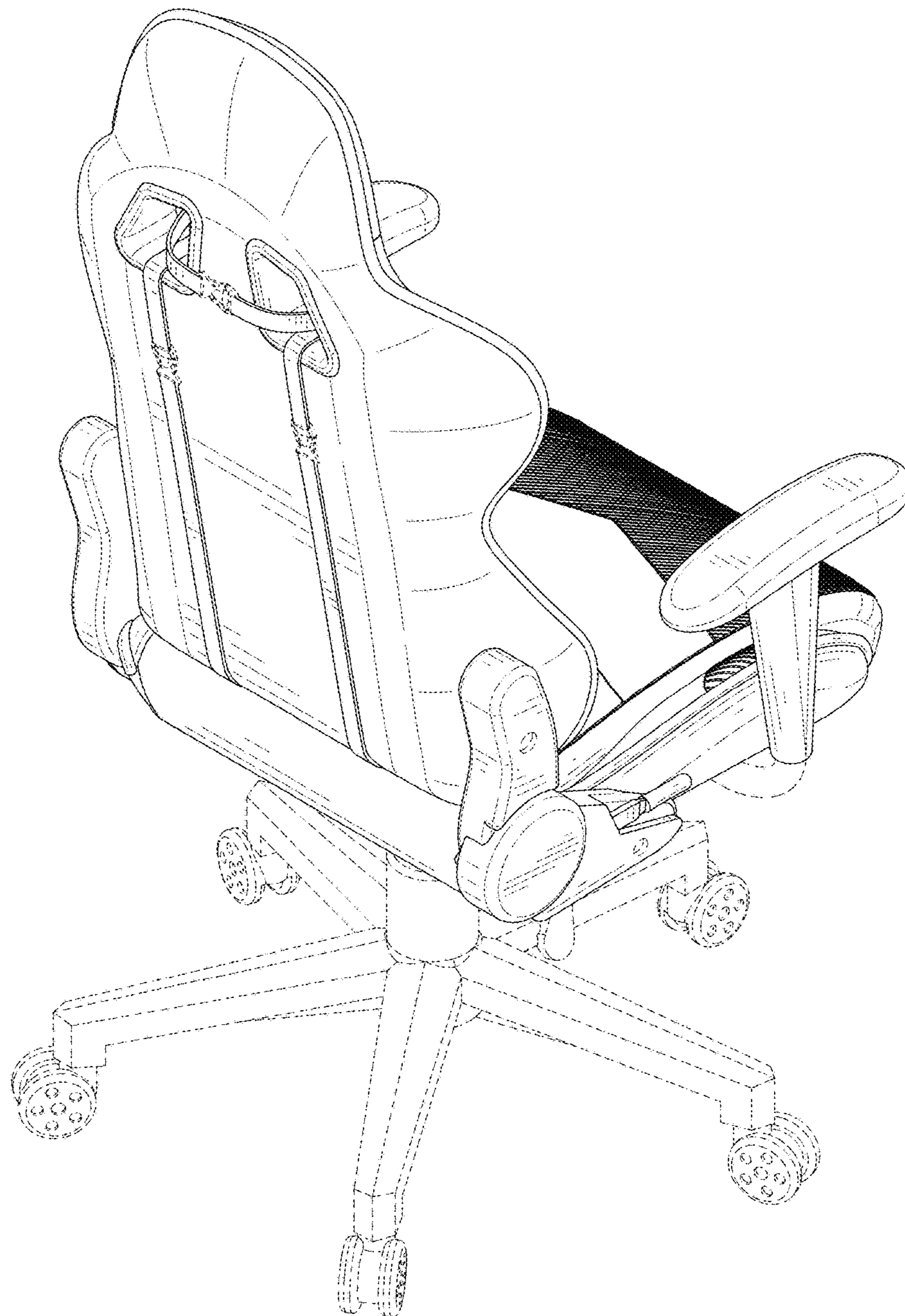


FIG. 2

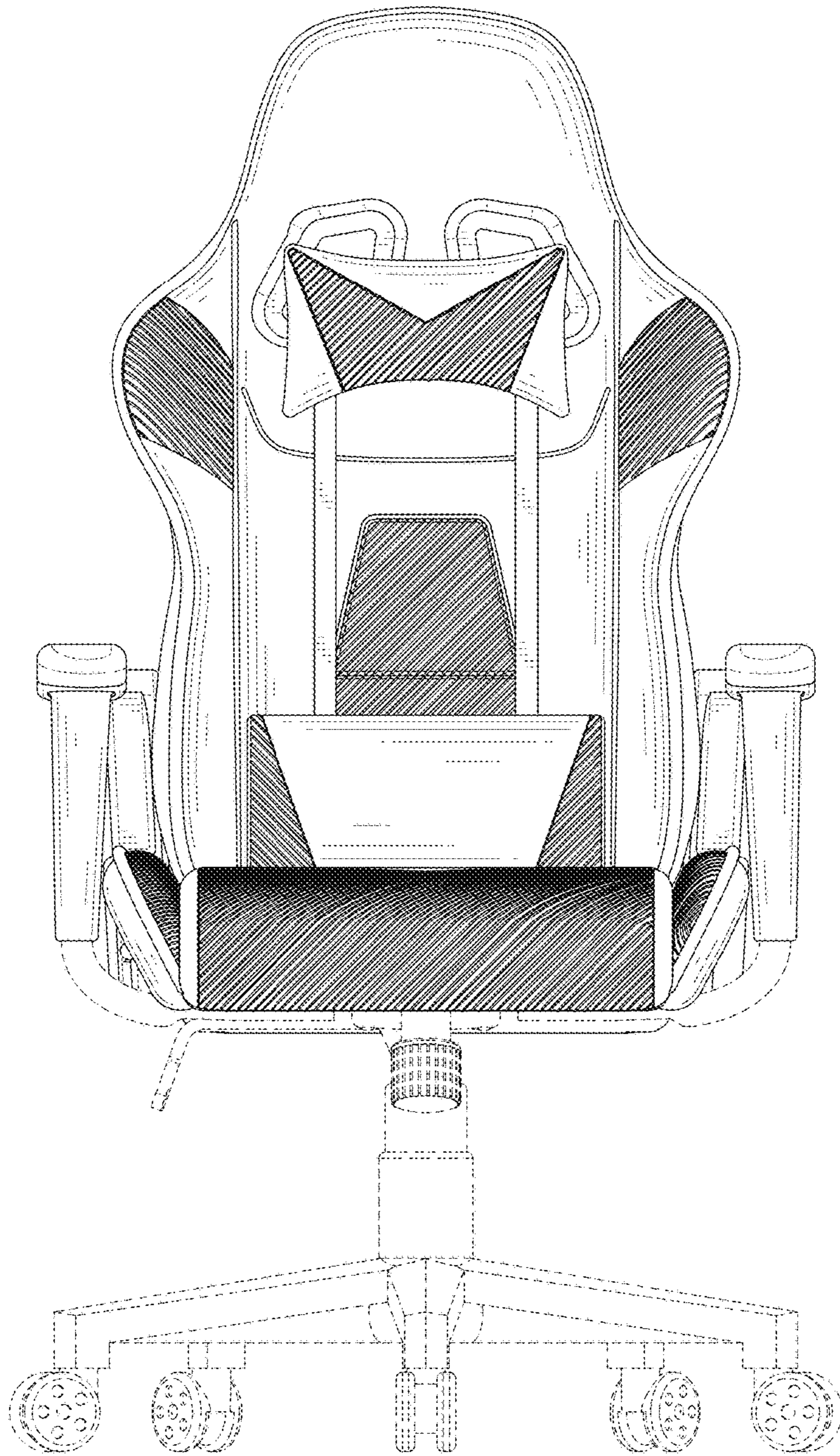


FIG. 3

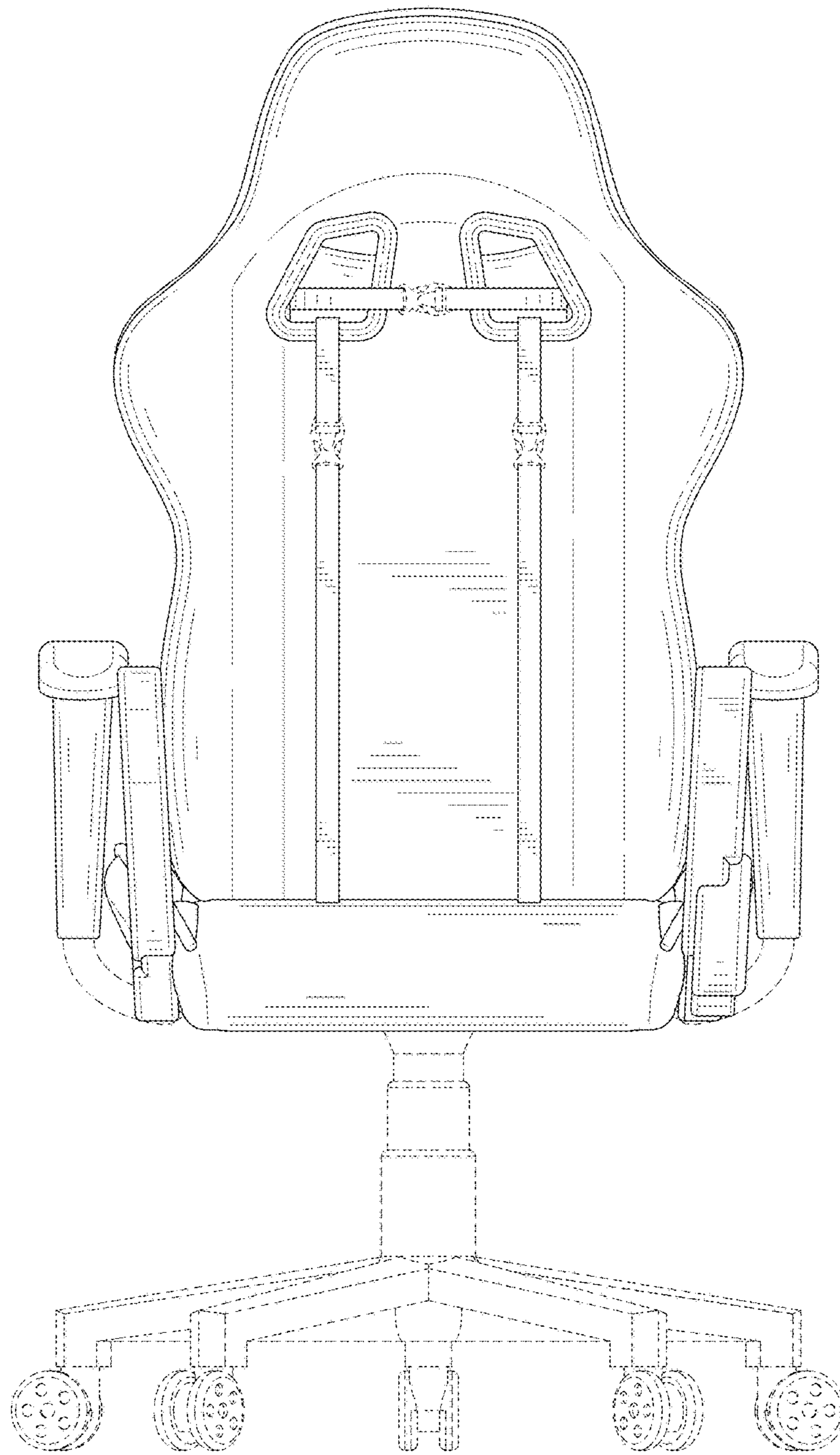


FIG. 4



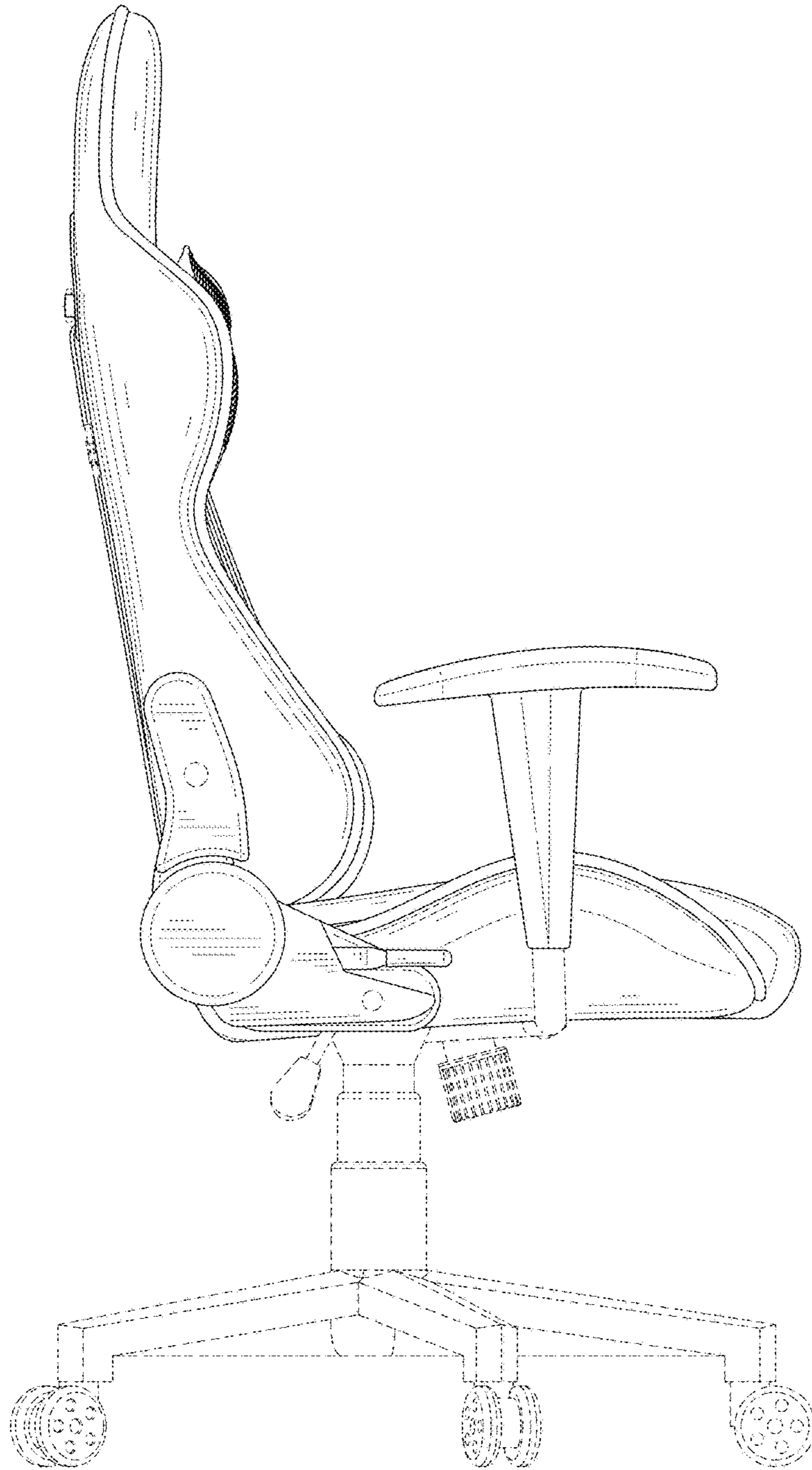


FIG. 5

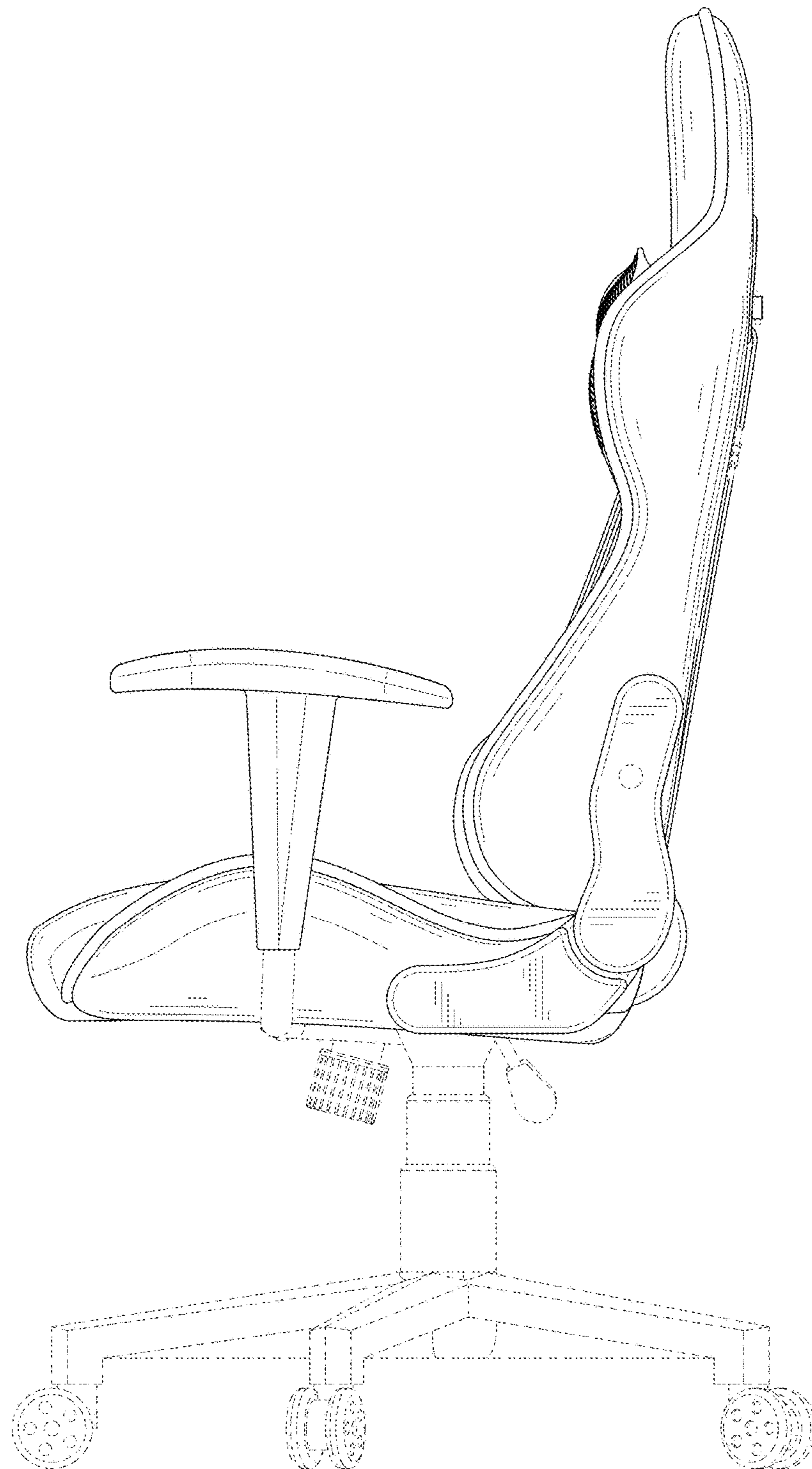


FIG. 6

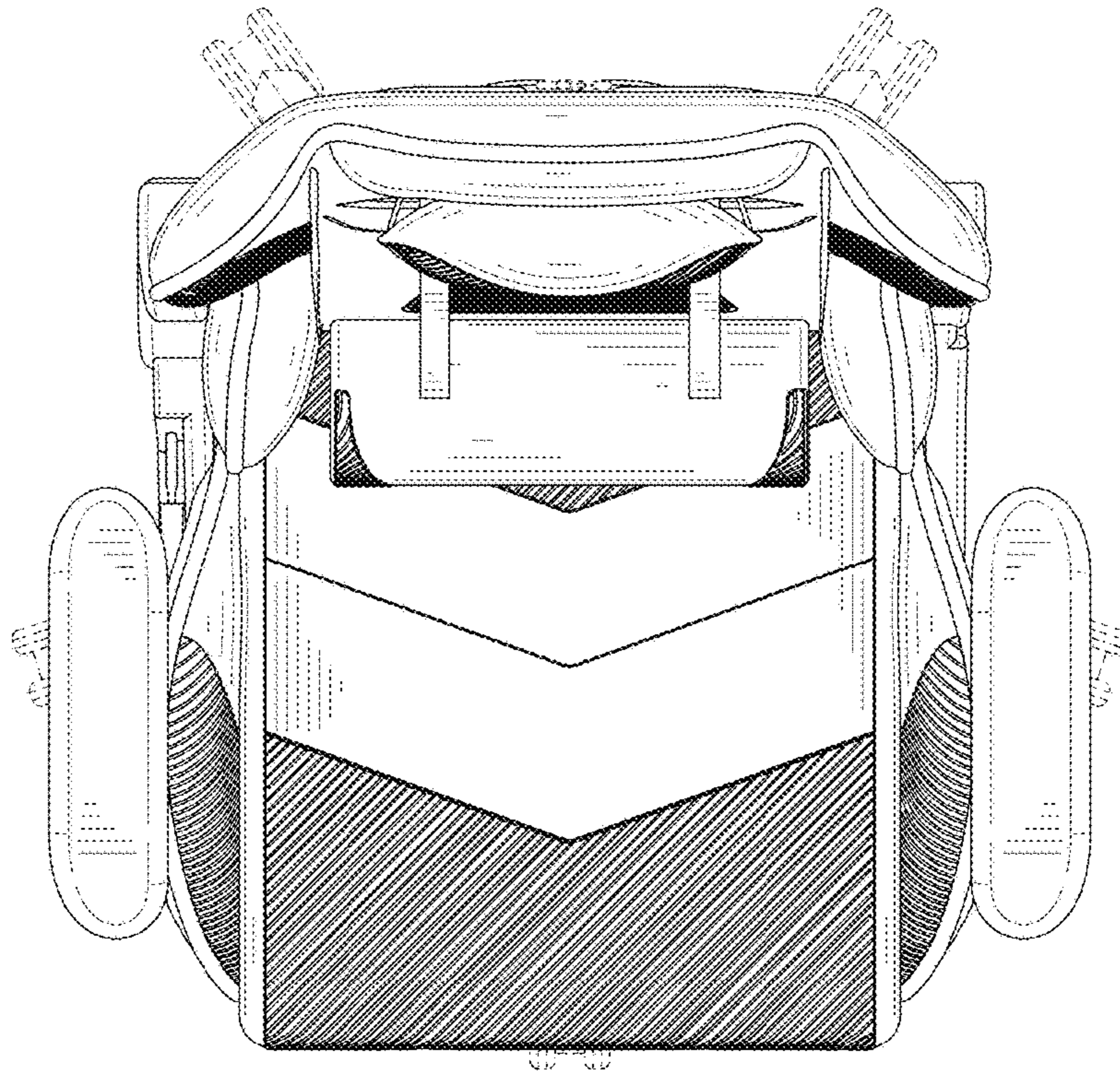


FIG. 7



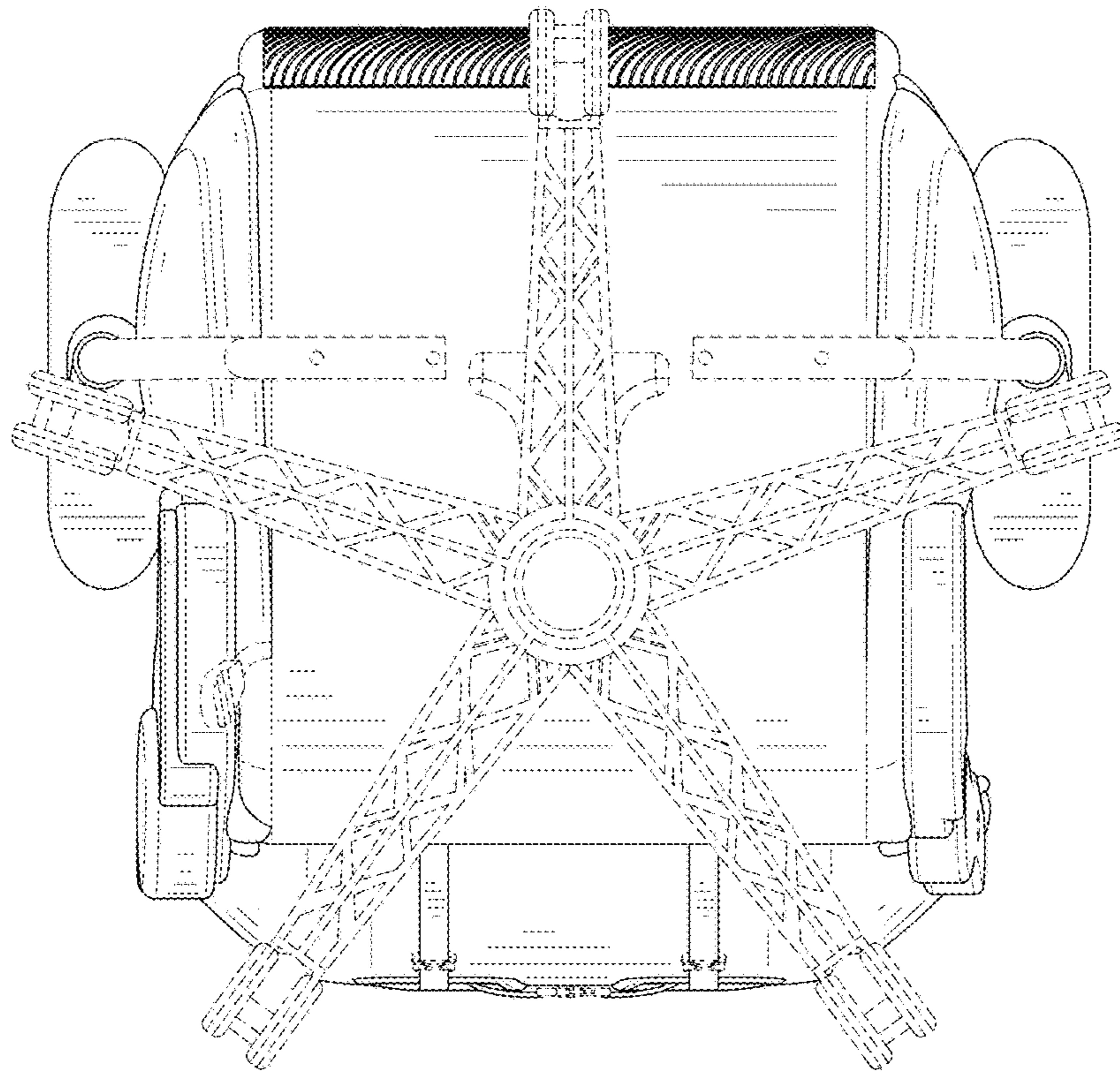


FIG. 8

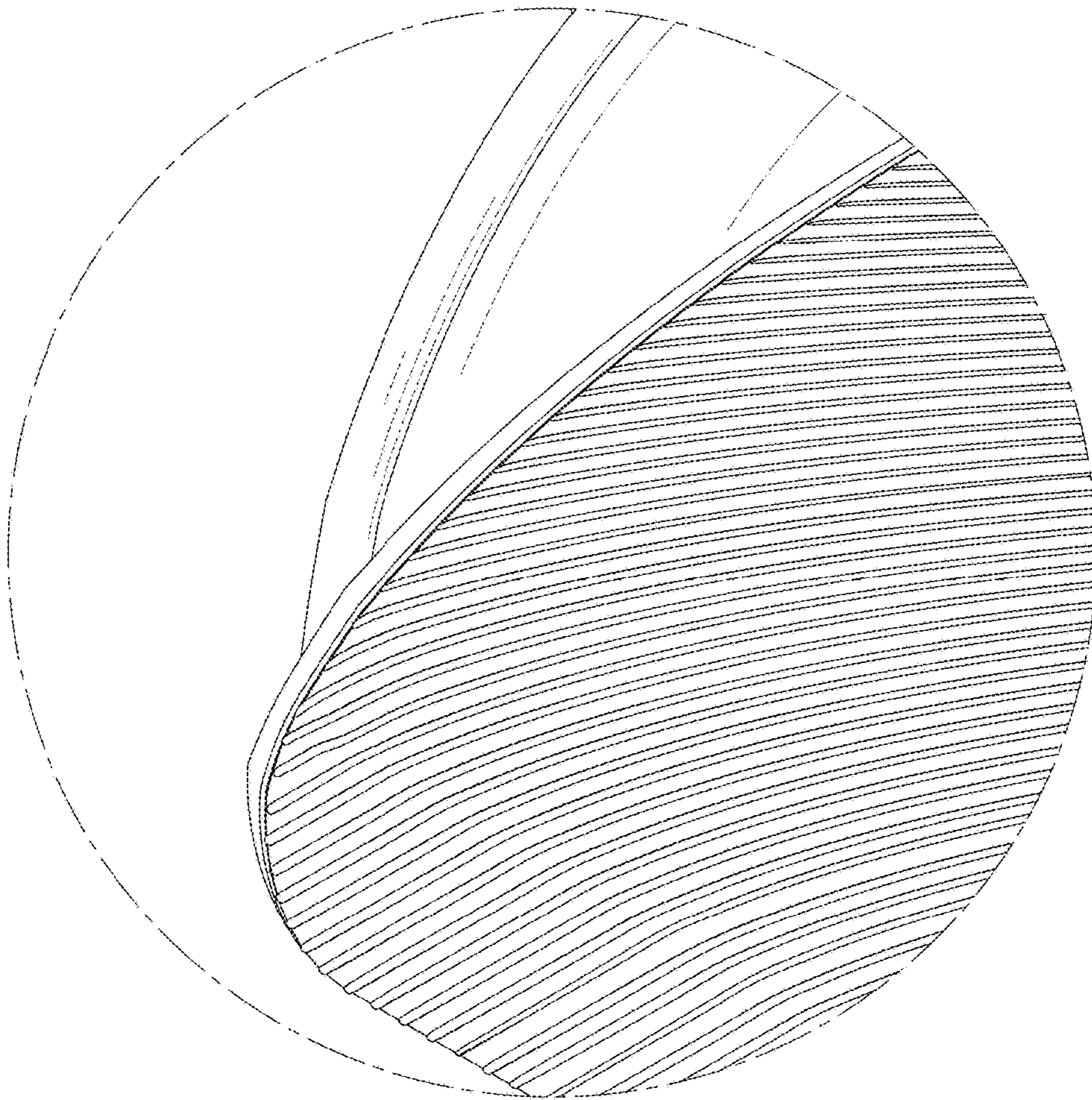


FIG. 9

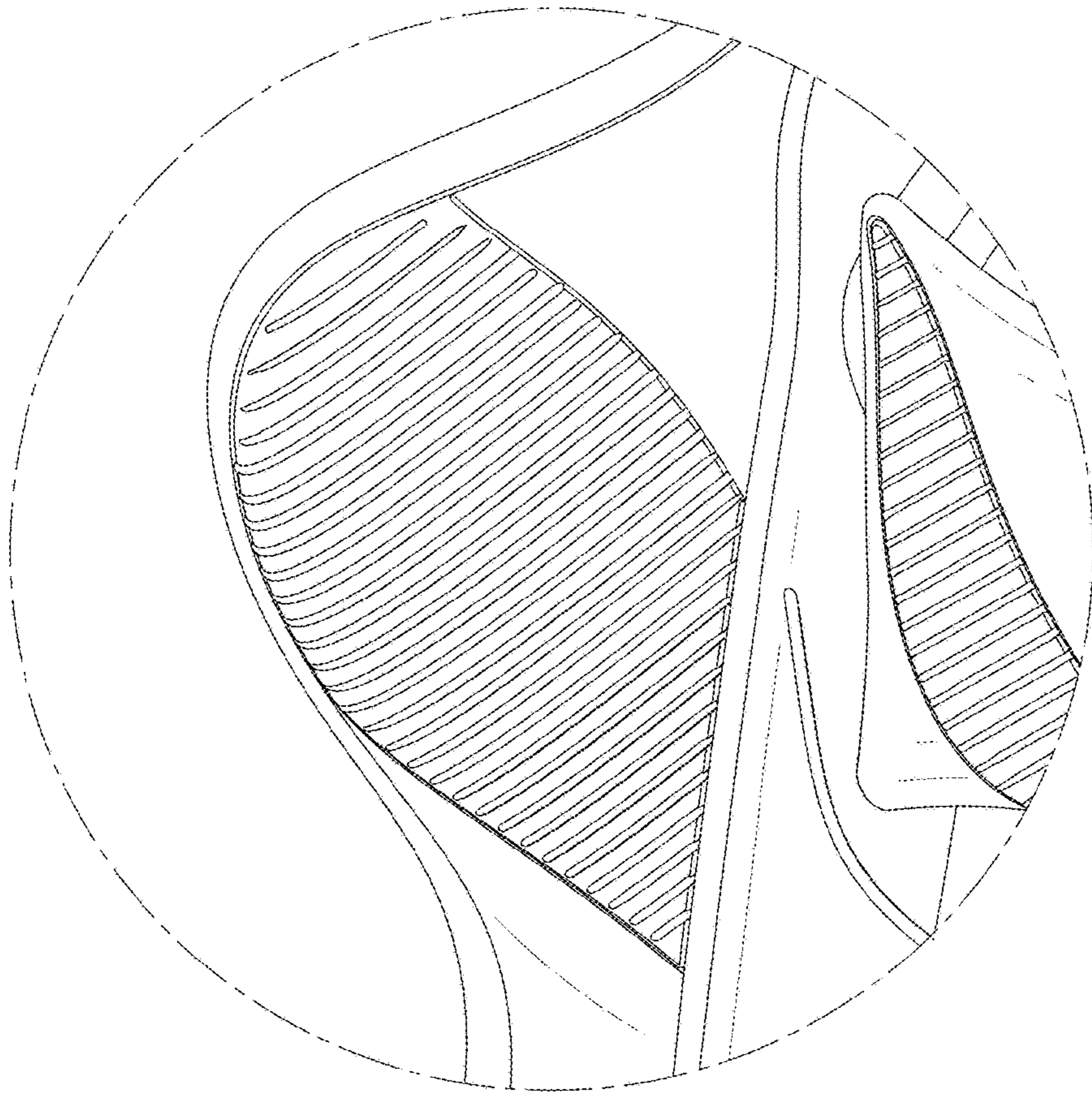


FIG. 10