



US00D852561S

(12) **United States Design Patent**
Handler et al.

(10) **Patent No.:** **US D852,561 S**
(45) **Date of Patent:** **** Jul. 2, 2019**

- (54) **TABLE**
- (71) Applicant: **Art Design Works LLC**, Lexington, MA (US)
- (72) Inventors: **Sheryl Handler**, Cambridge, MA (US); **Henry Fox**, Newburyport, MA (US); **Kelly Louise Casilio**, West Newton, MA (US); **Nadine M. Volicer**, Boston, MA (US)
- (73) Assignee: **Art Design Works LLC**, Lexington, MA (US)
- (**) Term: **15 Years**

D317,171 S *	5/1991	Saks	84/322
D349,618 S *	8/1994	Barfield	D6/696.1
D401,087 S	11/1998	Hellwig et al.	
D415,375 S	10/1999	McCrackin et al.	
6,041,722 A *	3/2000	Baker	A47B 1/056 108/64
D447,655 S	9/2001	Petri	
D455,305 S *	4/2002	Baker	D6/707
D487,659 S *	3/2004	Kerr	A47B 1/056 D21/397
D500,808 S *	1/2005	Howard	D20/28
D534,165 S	12/2006	Pila	
D562,029 S *	2/2008	Chang	D6/648.2
D588,671 S	3/2009	Ball et al.	
D611,275 S	3/2010	Shimizu	
D642,825 S *	8/2011	Hayek	D6/688.1

(Continued)

- (21) Appl. No.: **29/588,055**
- (22) Filed: **Dec. 16, 2016**

Related U.S. Application Data

- (62) Division of application No. 29/503,775, filed on Sep. 29, 2014, now abandoned.
- (51) **LOC (11) Cl.** **06-06**
- (52) **U.S. Cl.**
USPC **D6/707**
- (58) **Field of Classification Search**
USPC ... D6/349, 641, 644, 647, 685, 688.11, 692, D6/696, 696.1-696.7, 697, 707, 707.1, D6/707.14, 707.15, 707.22; D17/20; D20/22, 28, 40; D21/386; D32/40, 43
CPC .. A47B 5/00; A47B 7/00; A47B 13/00; A47B 13/08; A47B 13/081; A47B 13/088; A47B 13/10; A47B 13/12; A47B 21/00; A47B 2200/0001; A47B 2200/0066
See application file for complete search history.

(56) **References Cited**

U.S. PATENT DOCUMENTS

- D275,340 S 9/1984 Dunbar
- D286,598 S 11/1986 Berry, Jr.

OTHER PUBLICATIONS

U.S. Appl. No. 29/503,775, filed Sep. 29, 2014, Handler et al.

Primary Examiner — Mary Ann Calabrese

(74) *Attorney, Agent, or Firm* — Wolf, Greenfield & Sacks, P.C.

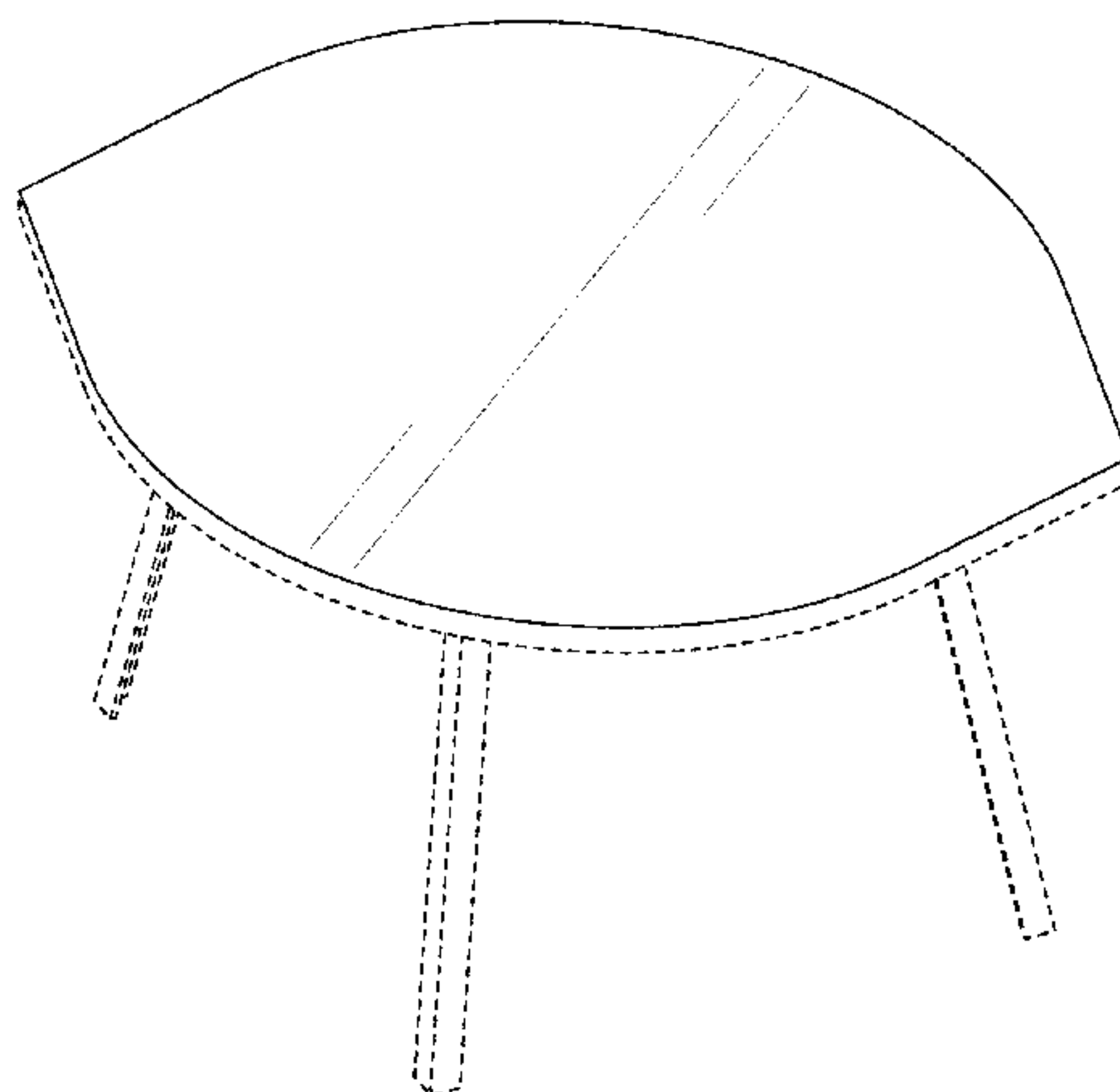
(57) **CLAIM**

The ornamental design for a table, as shown and described.

DESCRIPTION

FIG. 1 is a top, rear, left perspective view showing our new design;
 FIG. 2 is a front elevation view of FIG. 1;
 FIG. 3 is a rear elevation view of FIG. 1;
 FIG. 4 is a left side elevation view of FIG. 1;
 FIG. 5 is a right side elevation view of FIG. 1;
 FIG. 6 is a top plan view of FIG. 1; and,
 FIG. 7 is a bottom plan view of FIG. 1.
 The broken lines of the figures represent portions of the table that form no part of the claimed design.

1 Claim, 7 Drawing Sheets



(56)

References Cited

U.S. PATENT DOCUMENTS

D659,330 S * 5/2012 Davis D32/40
D730,668 S 6/2015 Fletcher
D733,574 S * 7/2015 Walker-Spry D9/457

* cited by examiner

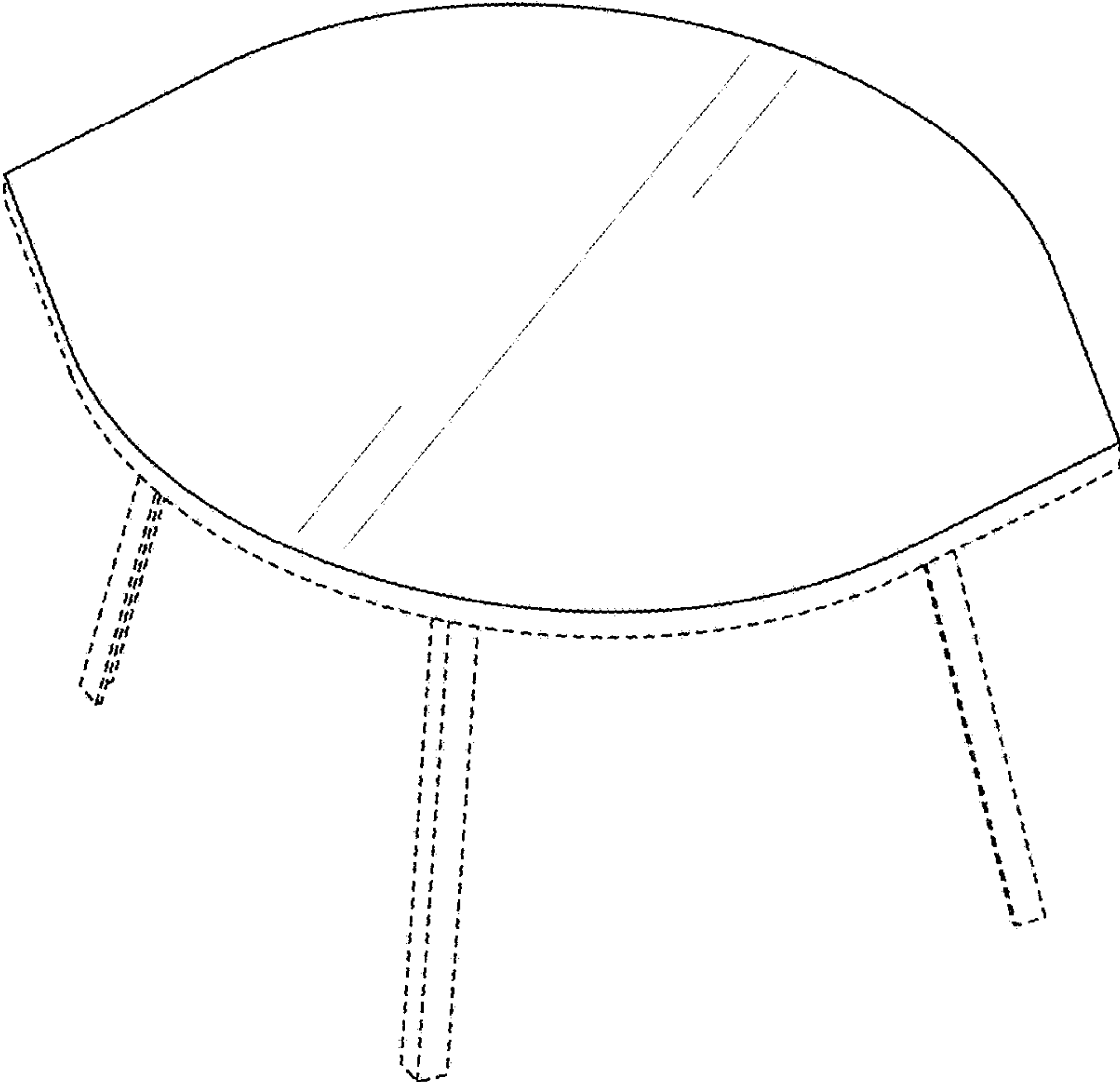


FIG. 1

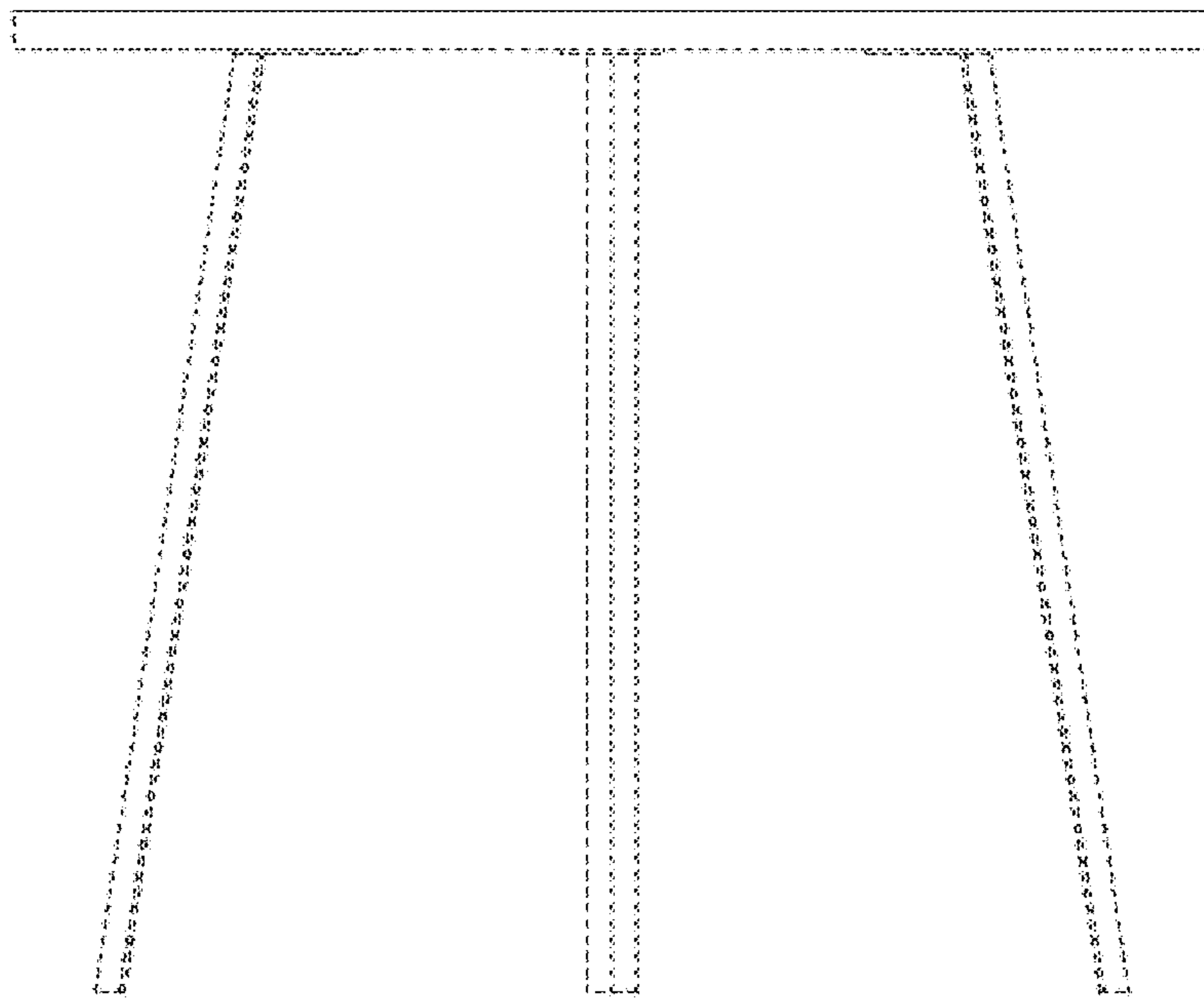


FIG. 2

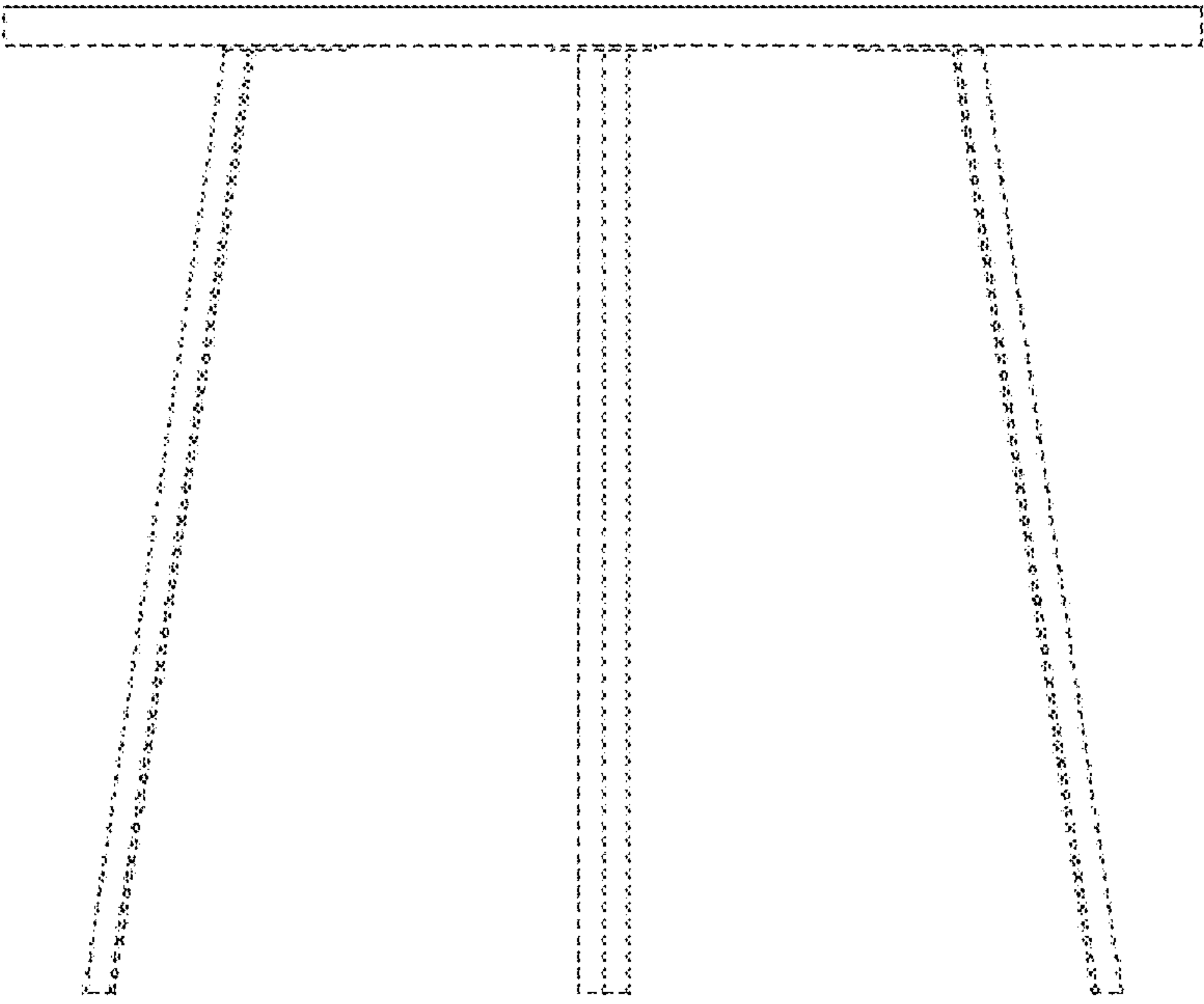


FIG. 3

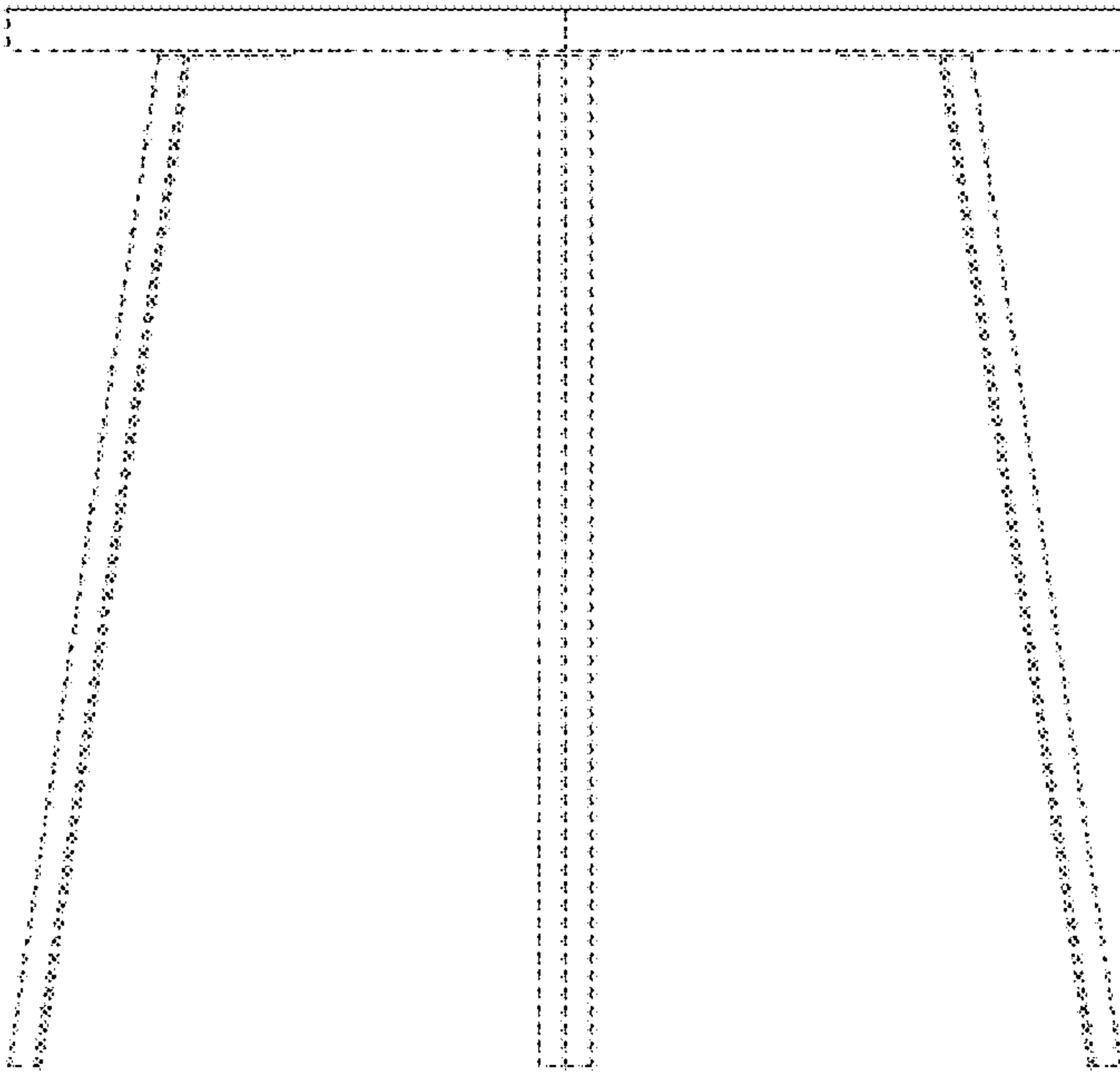


FIG. 4

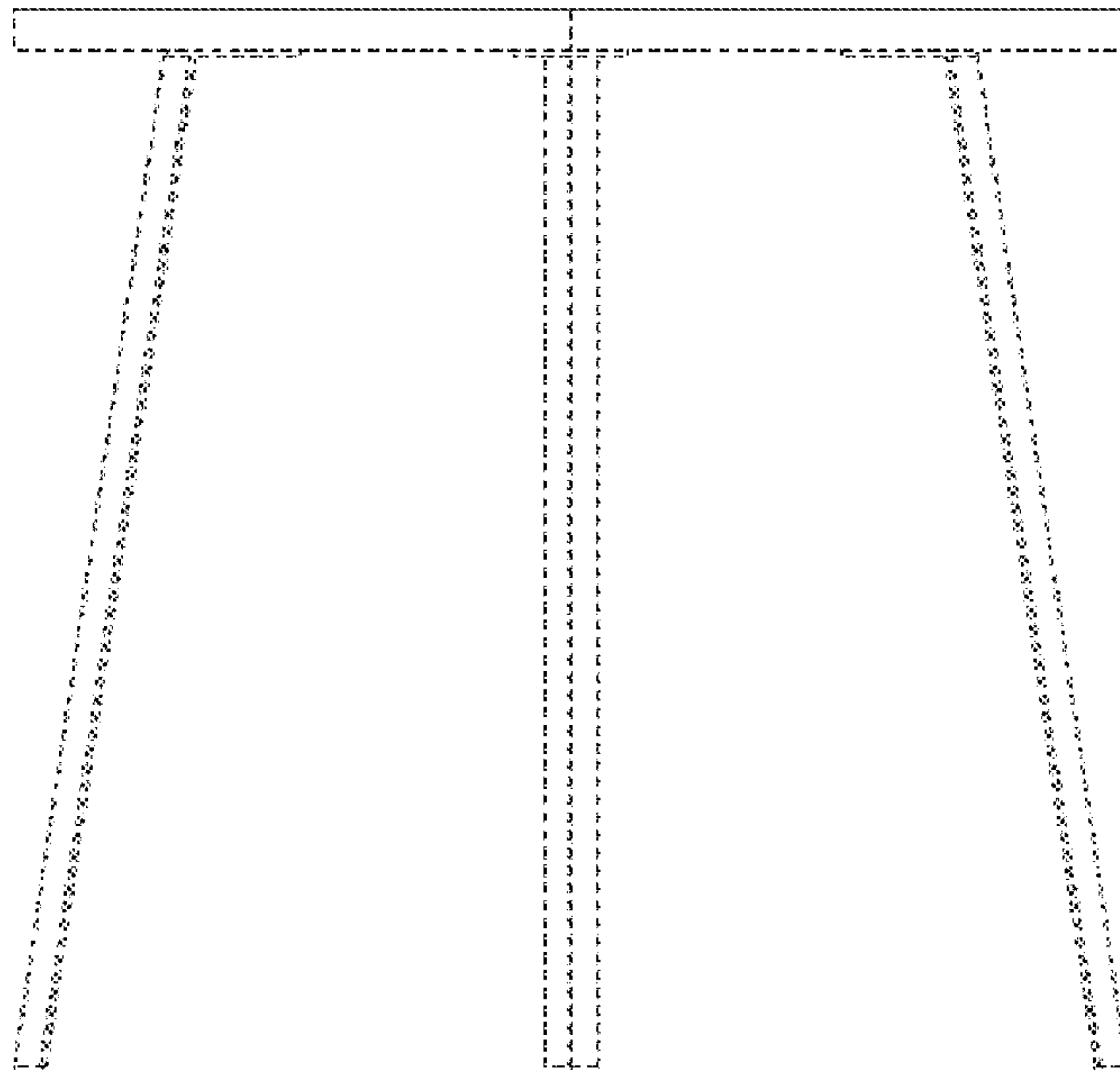


FIG. 5

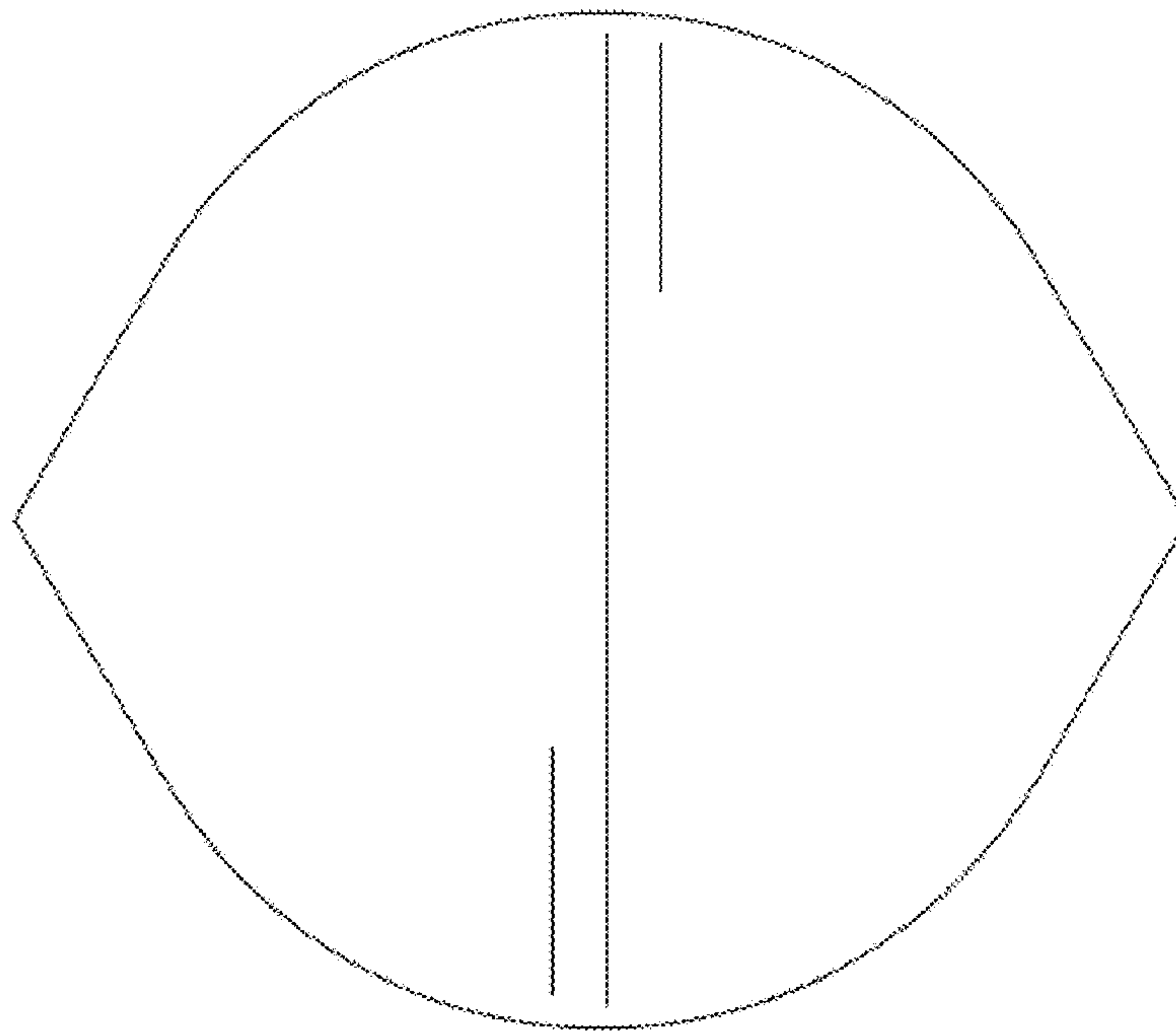


FIG. 6

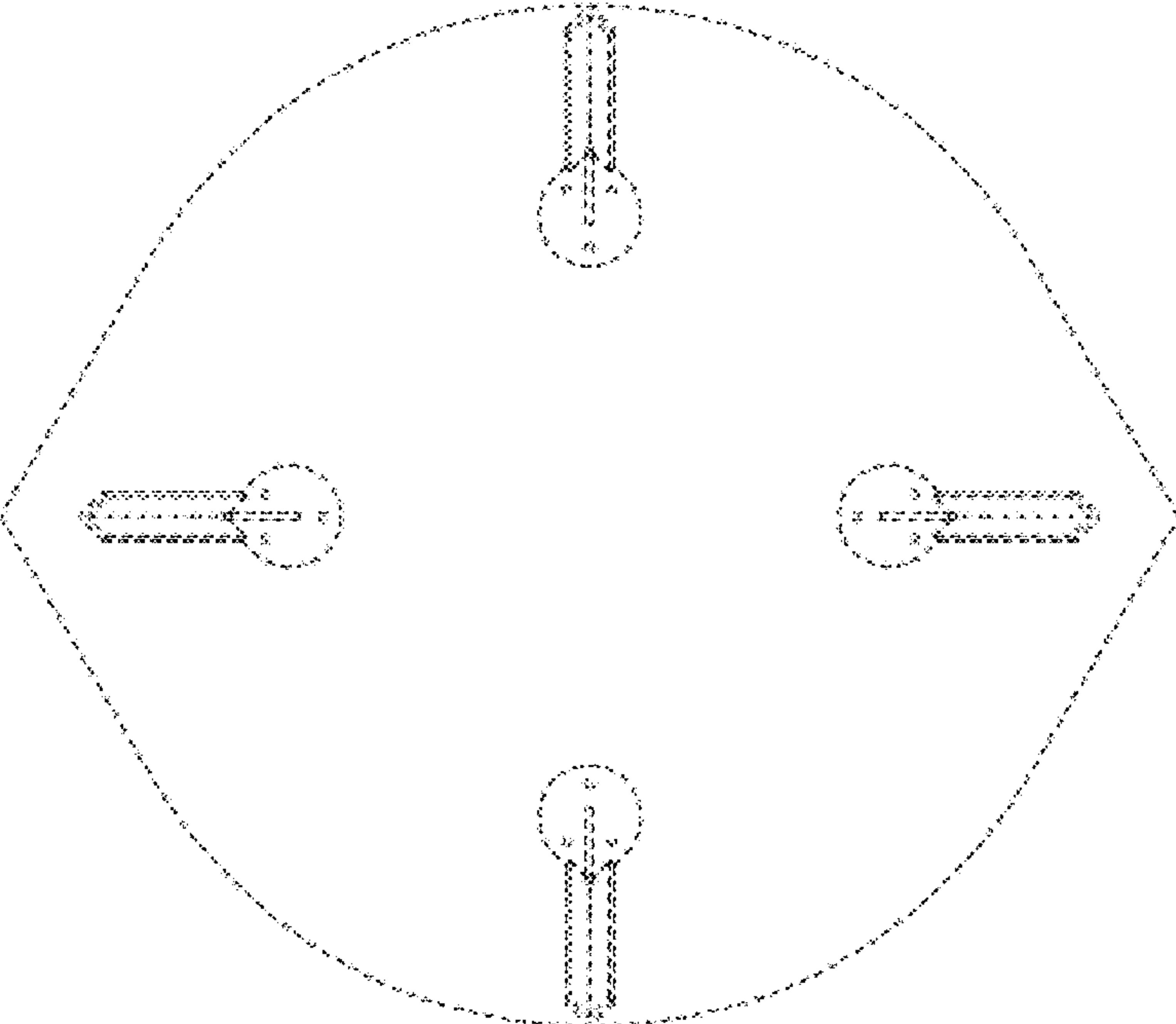


FIG. 7