



US00D852560S

(12) **United States Design Patent** (10) **Patent No.:** **US D852,560 S**  
**Cochrane** (45) **Date of Patent:** **\*\* Jul. 2, 2019**

(54) **DISPLAY HOLDER**  
(71) Applicant: **Matthew Cochrane**, New York, NY  
(US)  
(72) Inventor: **Matthew Cochrane**, New York, NY  
(US)  
(\*\*) Term: **15 Years**  
(21) Appl. No.: **29/642,903**  
(22) Filed: **Apr. 3, 2018**  
(51) **LOC (11) Cl.** ..... **06-06**  
(52) **U.S. Cl.**  
USPC ..... **D6/682.3**  
(58) **Field of Classification Search**  
USPC ..... D6/672-673, 512-513, 553, 682, 682.3;  
D14/457; D8/354; D16/200-202, 203,  
D16/208, 218, 219  
CPC ..... A47B 2097/005; A47B 2097/006; A47F  
5/0081; A47F 5/04  
See application file for complete search history.

D733,697 S \* 7/2015 Palan ..... D14/253  
9,274,556 B2 \* 3/2016 Gallouzi ..... F16M 11/041  
D756,692 S \* 5/2016 Hallett ..... D6/682.4  
D783,012 S \* 4/2017 Lee ..... D14/253  
D791,861 S \* 7/2017 Battle ..... D14/447  
D792,133 S \* 7/2017 Schwalbach ..... D6/682.3  
D824,683 S \* 8/2018 Holmes ..... D6/353  
D835,440 S \* 12/2018 Schwalbach ..... D6/682.3  
D836,368 S \* 12/2018 Sorel ..... D6/694  
D838,524 S \* 1/2019 Akana ..... D6/682  
2014/0138419 A1 \* 5/2014 Minn ..... B60R 11/0241  
224/567  
2014/0364232 A1 12/2014 Cramer et al.  
2016/0001176 A1 1/2016 Chen  
2016/0030838 A1 2/2016 Hong  
2017/0311736 A1 \* 11/2017 Zheng ..... A47F 7/00

\* cited by examiner

*Primary Examiner* — Kelley A Donnelly  
(74) *Attorney, Agent, or Firm* — Ostrolenk Faber LLP

(57) **CLAIM**

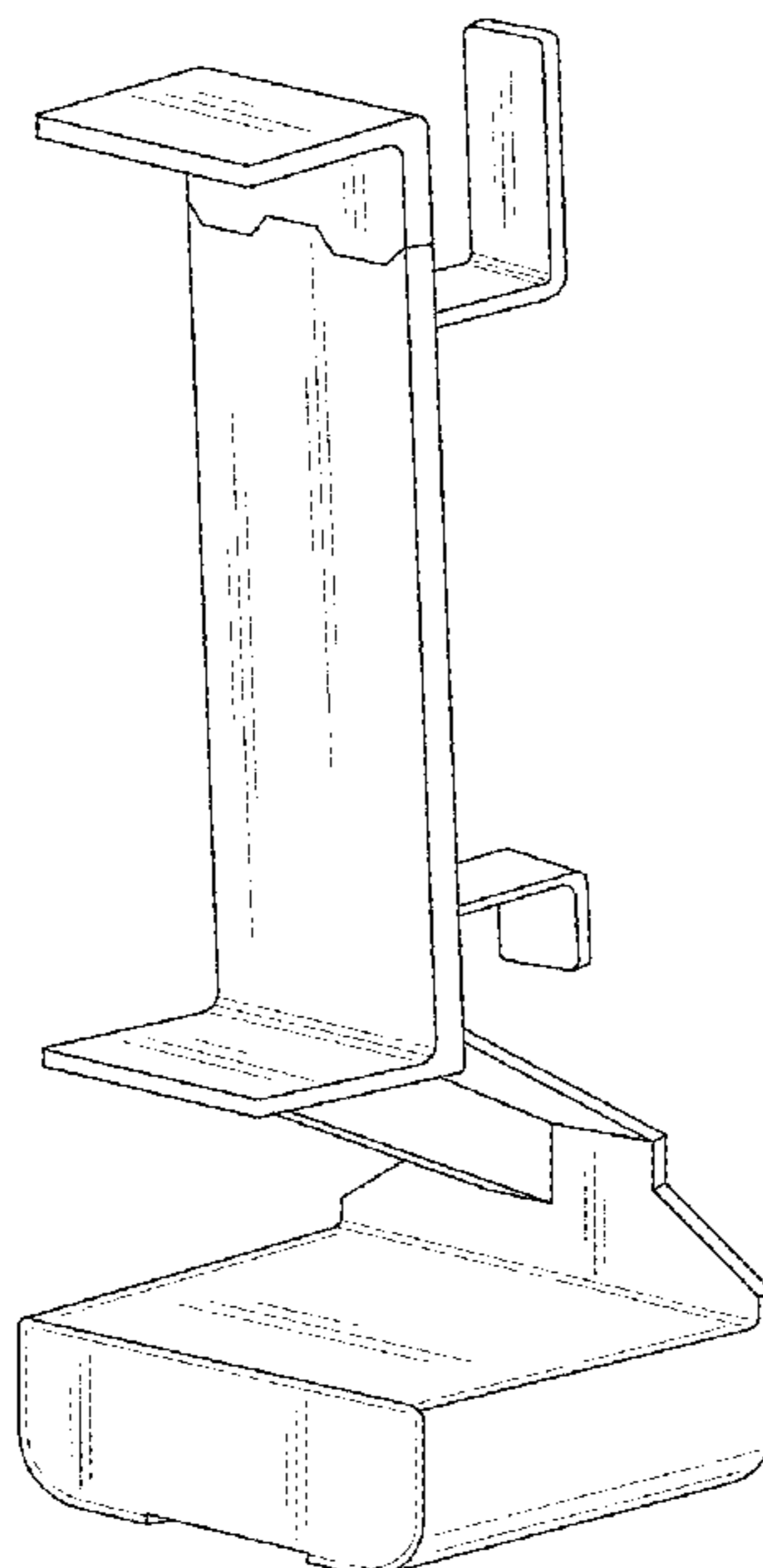
The ornamental design for display holder, as shown and described.

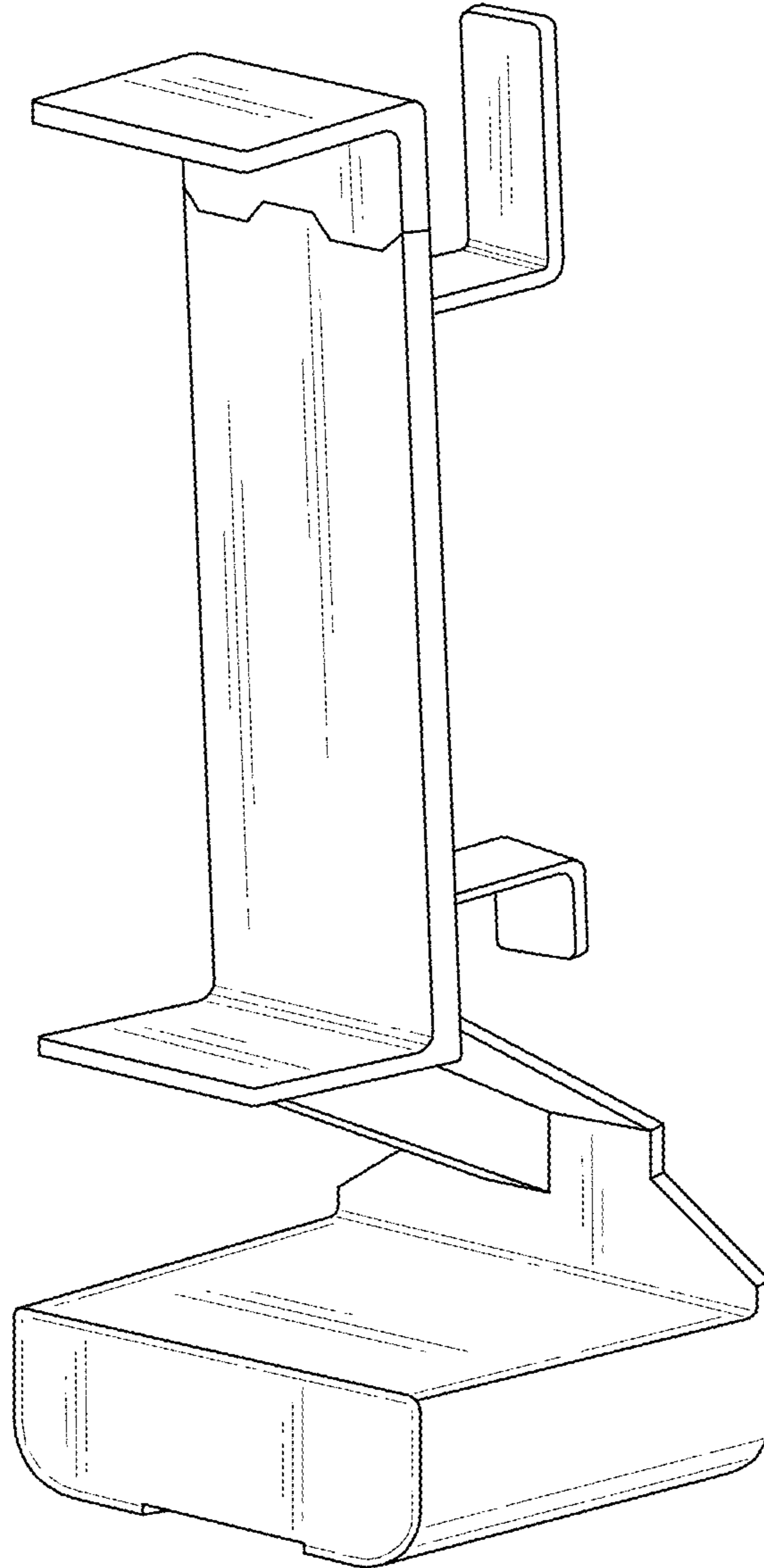
**DESCRIPTION**

FIG. 1 is a front, top and side perspective view of a display holder showing my new design;  
FIG. 2 is a front view thereof;  
FIG. 3 is a rear view thereof;  
FIG. 4 is a right side view thereof, with the left side being a mirror image of the right side;  
FIG. 5 is a top view thereof; and,  
FIG. 6 is a bottom view thereof.

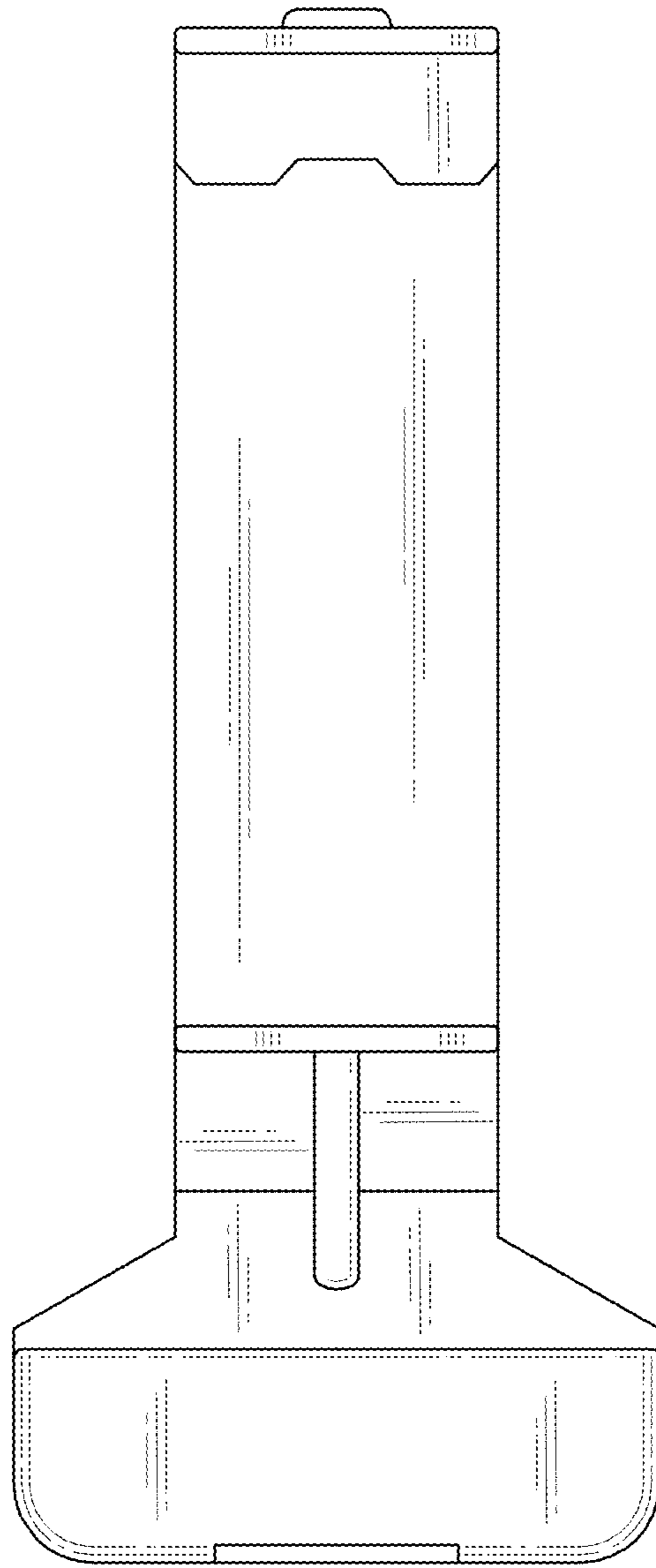
**1 Claim, 6 Drawing Sheets**

(56) **References Cited**  
U.S. PATENT DOCUMENTS  
D341,259 S \* 11/1993 Mele ..... D6/349  
D350,888 S \* 9/1994 Perry ..... D34/31  
D384,225 S \* 9/1997 Miller ..... D6/675.3  
D455,252 S \* 4/2002 Hagens, III ..... D3/200  
D592,188 S \* 5/2009 Huang ..... D14/217  
D689,478 S \* 9/2013 Wikel ..... D14/253  
D696,259 S \* 12/2013 Howarth ..... D14/447  
D709,357 S \* 7/2014 Bell ..... D8/373

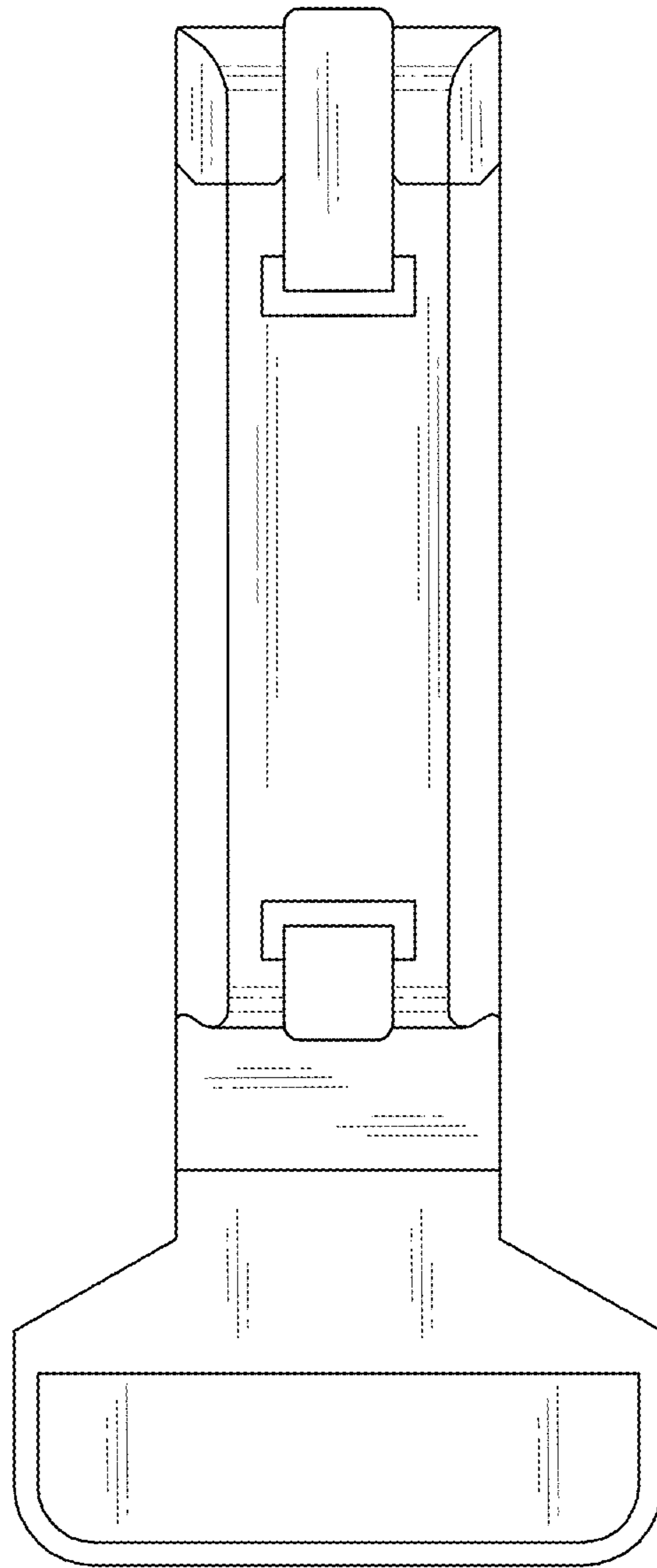




*FIG. 1*



*FIG. 2*



*FIG. 3*

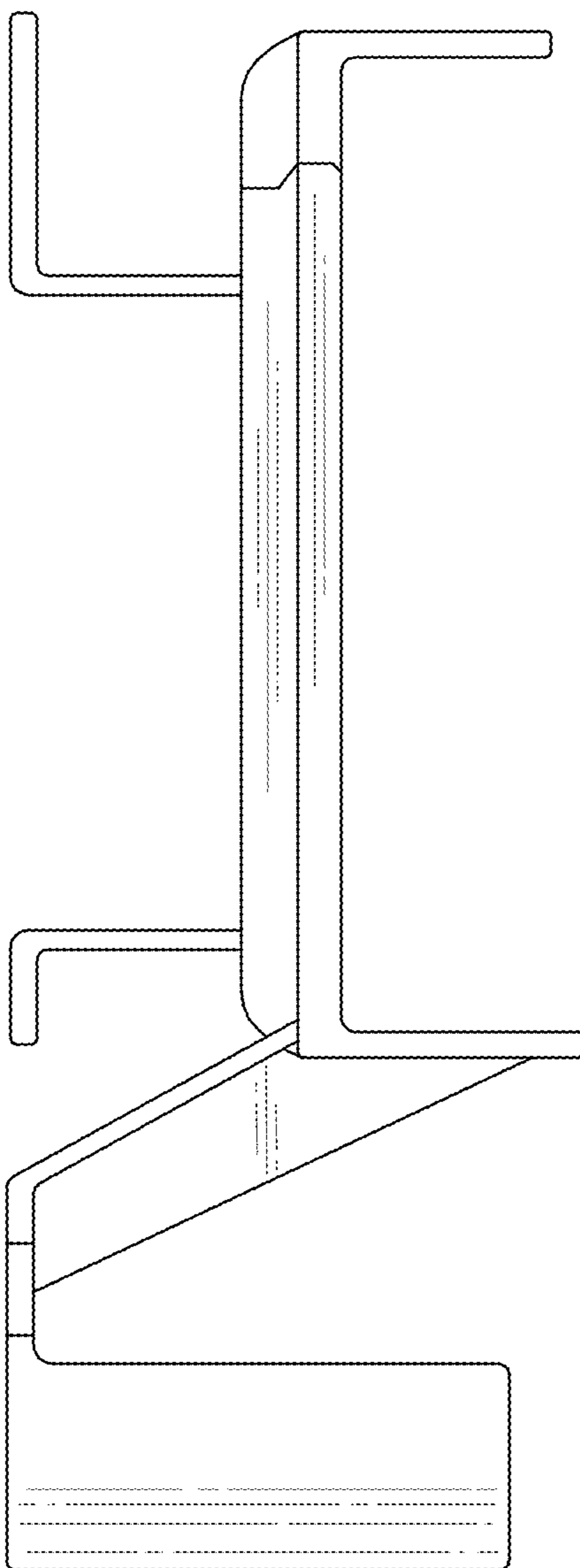
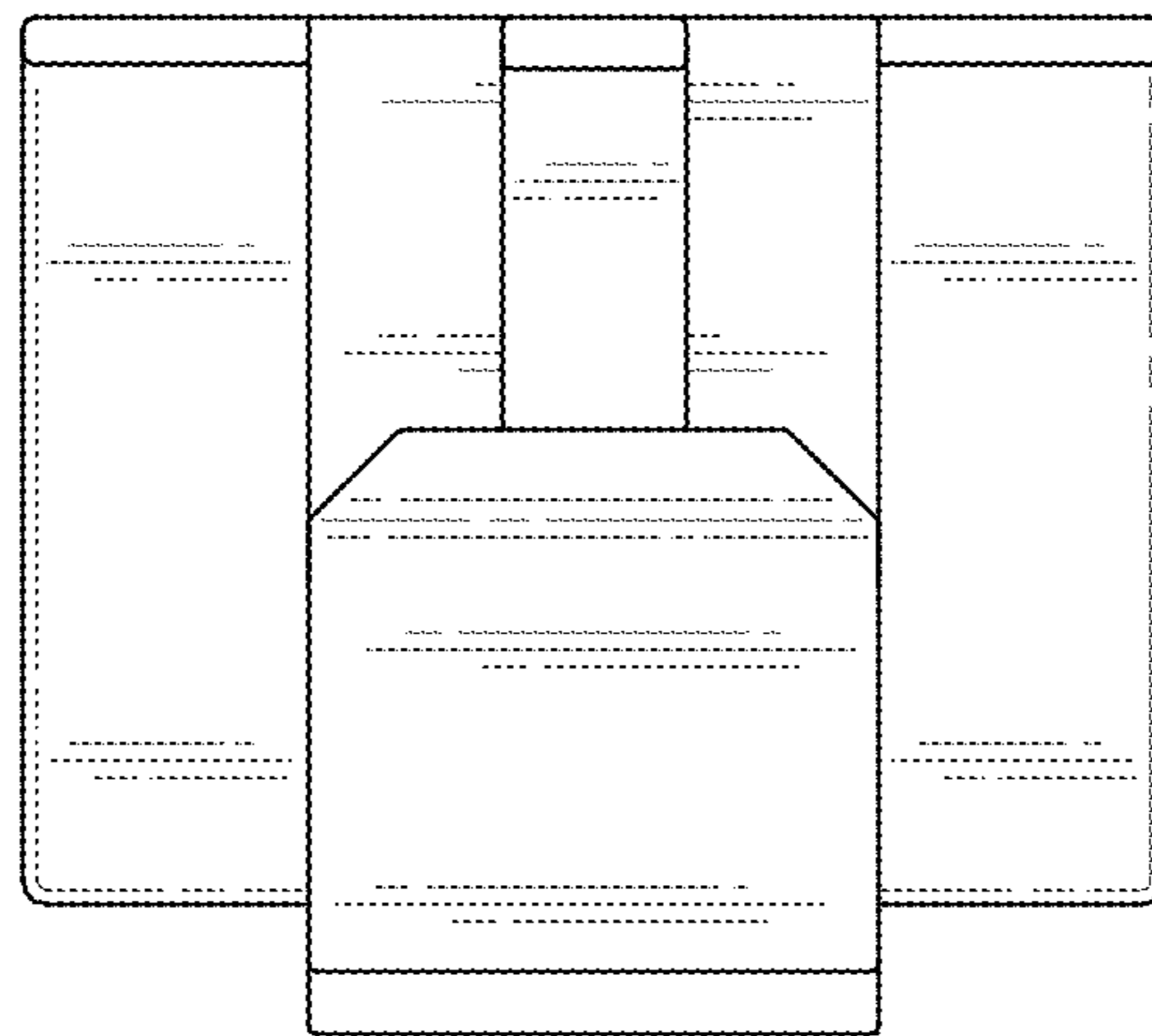
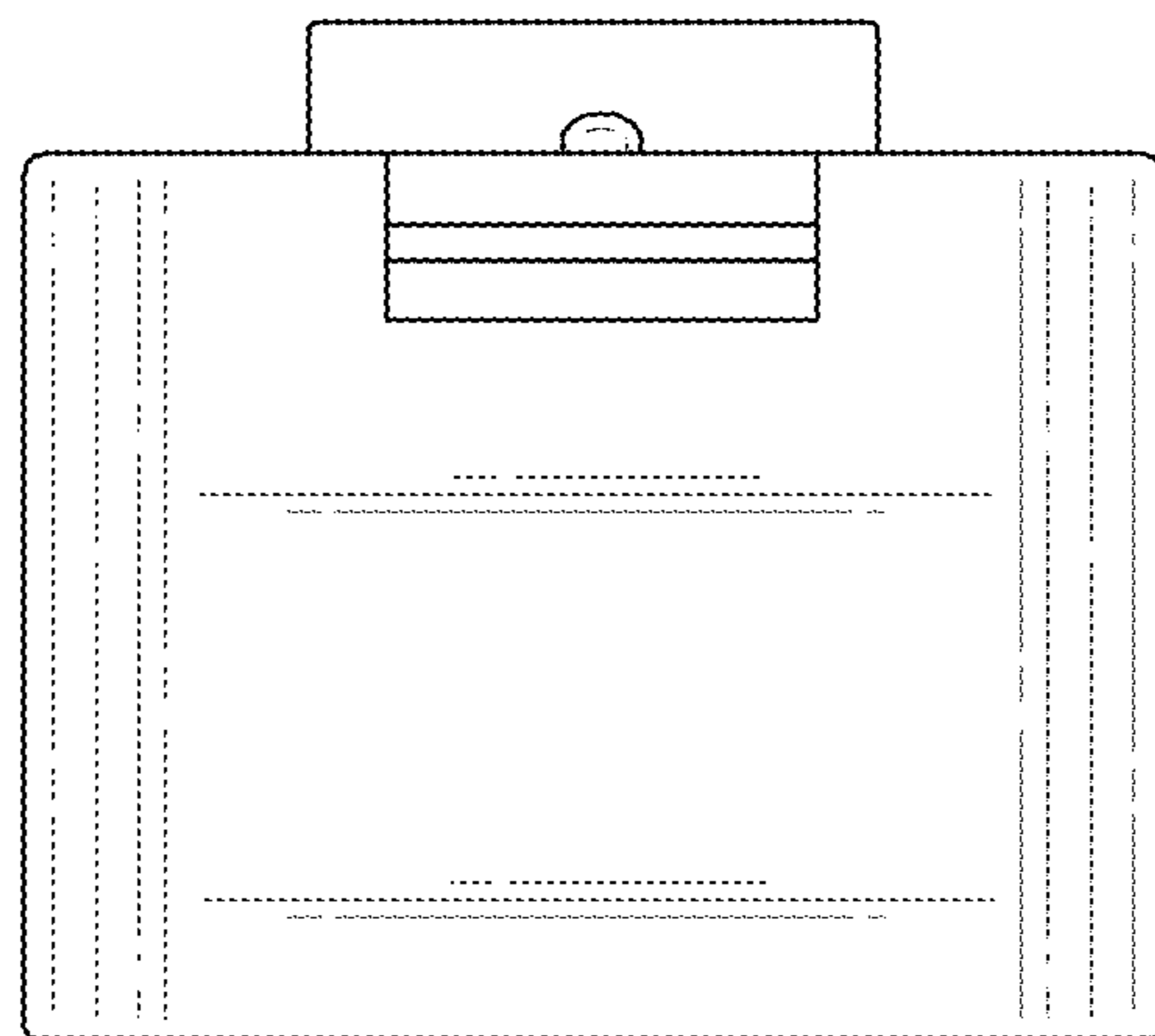


FIG. 4



*FIG. 5*



*FIG. 6*