



US00D852558S

(12) **United States Design Patent** (10) **Patent No.:** **US D852,558 S**
Avila (45) **Date of Patent:** **** Jul. 2, 2019**

(54) **TOOL RACK** 5,303,447 A * 4/1994 McKnight A47L 9/0036
15/246.2
(71) Applicant: **Stephen Anthony Avila**, Sanger, TX D358,506 S * 5/1995 Lara D12/406
(US) D362,654 S * 9/1995 Keith D12/406
D364,140 S * 11/1995 Gustavsen D12/107
(72) Inventor: **Stephen Anthony Avila**, Sanger, TX 5,518,159 A * 5/1996 DeGuevara B60R 9/06
(US) 224/282
D377,310 S * 1/1997 Crump, Jr. D8/373
5,658,119 A * 8/1997 Allsop B60R 9/06
224/536
(**) Term: **15 Years** 5,704,496 A * 1/1998 Latta B25H 3/04
211/70.6
(21) Appl. No.: **29/565,342** D390,056 S * 2/1998 Pujals, Jr. D6/566
(22) Filed: **May 19, 2016** (Continued)

Related U.S. Application Data

(63) Continuation of application No. 15/158,081, filed on May 18, 2016.
(51) **LOC (11) Cl.** **06-04**
(52) **U.S. Cl.**
USPC **D6/681**
(58) **Field of Classification Search**
USPC D6/672, 678.4, 681, 681.1, 681.2, 681.3, D6/684; D8/71; D12/400, 406, 412
CPC B25H 1/0021; B25H 1/0028; B62D 33/0207; B60R 11/06
See application file for complete search history.

References Cited

U.S. PATENT DOCUMENTS

1,698,318 A * 1/1929 Norton B25H 3/04
211/1
1,743,570 A * 1/1930 Russian B25H 3/04
211/70
1,914,371 A * 6/1933 Hutt B25H 3/04
211/70.6
D245,247 S * 8/1977 Russell D12/412
D322,449 S * 12/1991 Hunt D17/20
D327,043 S * 6/1992 Ott D12/406
D340,824 S * 11/1993 Pujals, Jr. D6/566

Primary Examiner — John Windmuller

Assistant Examiner — Steven J Czyz

(74) *Attorney, Agent, or Firm* — Kevin Mark Klughart

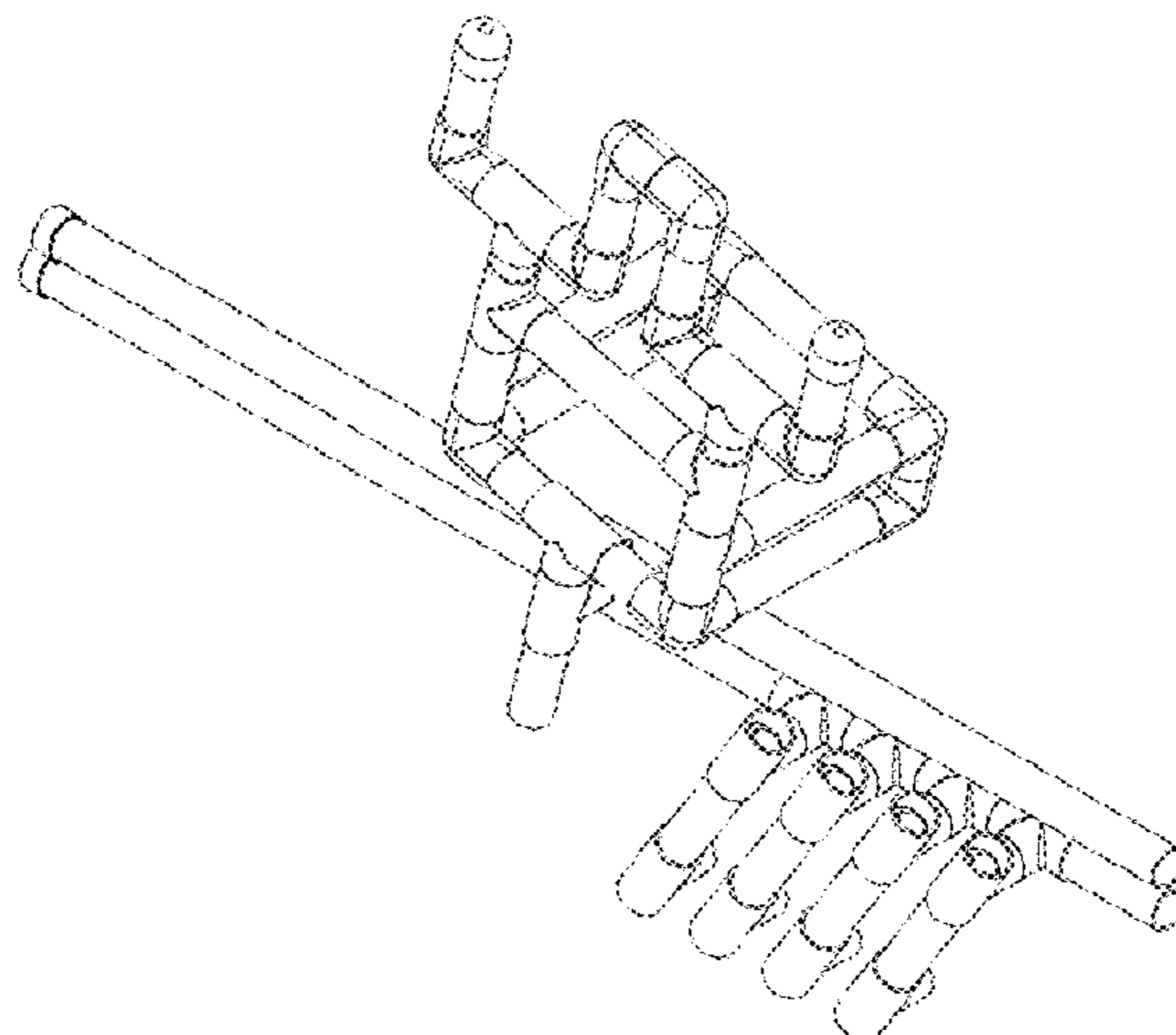
(57) **CLAIM**

The ornamental design for a tool rack, as shown and described.

DESCRIPTION

FIG. 1 is a front view of a tool rack showing my new design;
FIG. 2 is a rear view thereof;
FIG. 3 is a right view thereof;
FIG. 4 is a left view thereof;
FIG. 5 is a top view thereof;
FIG. 6 is a bottom view thereof;
FIG. 7 is a top front perspective view thereof;
FIG. 8 is a top rear perspective view thereof;
FIG. 9 is a top right front perspective view thereof;
FIG. 10 is a top right rear perspective view thereof;
FIG. 11 is a top left rear perspective view thereof;
FIG. 12 is a top left front perspective view thereof;
FIG. 13 is a bottom right front perspective view thereof;
FIG. 14 is a bottom right rear perspective view thereof;
FIG. 15 is a bottom left rear perspective view thereof; and,
FIG. 16 is a bottom left front perspective view thereof.

1 Claim, 16 Drawing Sheets



(56)

References Cited

U.S. PATENT DOCUMENTS

5,743,416	A *	4/1998	Yemini	B25H 3/04 211/70.6
5,746,330	A *	5/1998	DiBetta	A47F 5/0815 211/169
5,788,092	A *	8/1998	Teeney	B25H 3/04 211/182
D400,037	S *	10/1998	Bartholow	D6/566
5,937,766	A *	8/1999	Denny	B25H 5/00 108/143
6,186,729	B1 *	2/2001	Sargent	B60P 9/00 224/320
6,250,425	B1 *	6/2001	Barnes	E06C 5/02 182/127
6,302,034	B1 *	10/2001	Swanson	B65D 19/385 108/53.5
D463,185	S *	9/2002	Tolliver	D6/525
6,554,170	B1 *	4/2003	Correll	B60Q 1/2611 141/343
6,711,972	B1 *	3/2004	Joyner	B25H 1/0021 81/57.24
D492,859	S *	7/2004	Sciandra	D6/681
D494,532	S *	8/2004	Reese	D12/406
D501,973	S *	2/2005	Bell	D34/24
D519,302	S *	4/2006	Sciandra	D6/681
D523,260	S *	6/2006	Sciandra	D6/681
D560,870	S *	1/2008	Shipman	D34/17
D637,015	S *	5/2011	Rogers	D6/681
D649,378	S *	11/2011	Rogers	D6/708.16
D809,996	S *	2/2018	Lee	D12/406
2002/0060195	A1 *	5/2002	Humphrey	E01B 7/24 211/13.1
2003/0057243	A1 *	3/2003	Himel, Jr.	B60R 9/06 224/519
2005/0023015	A1 *	2/2005	Argento	B25D 17/28 173/36
2005/0230331	A1 *	10/2005	Whitnall	B60R 9/06 211/22
2006/0226097	A1 *	10/2006	Smith	B25H 3/04 211/70.6
2007/0057001	A1 *	3/2007	Wang	B60R 9/06 224/536
2007/0237572	A1 *	10/2007	Thiessen	B25H 1/0021 403/96
2014/0263505	A1 *	9/2014	Meyers	F04B 17/06 224/401
2015/0151428	A1 *	6/2015	Su	B25H 3/04 403/361
2015/0289652	A1 *	10/2015	Strahinic	A47B 21/0314 211/85.8
2016/0339967	A1 *	11/2016	Avila	B62D 33/0207
2017/0073023	A1 *	3/2017	Feight	B62D 33/0207
2017/0197265	A1 *	7/2017	Hamm	B23G 1/24

* cited by examiner

FIG. 1

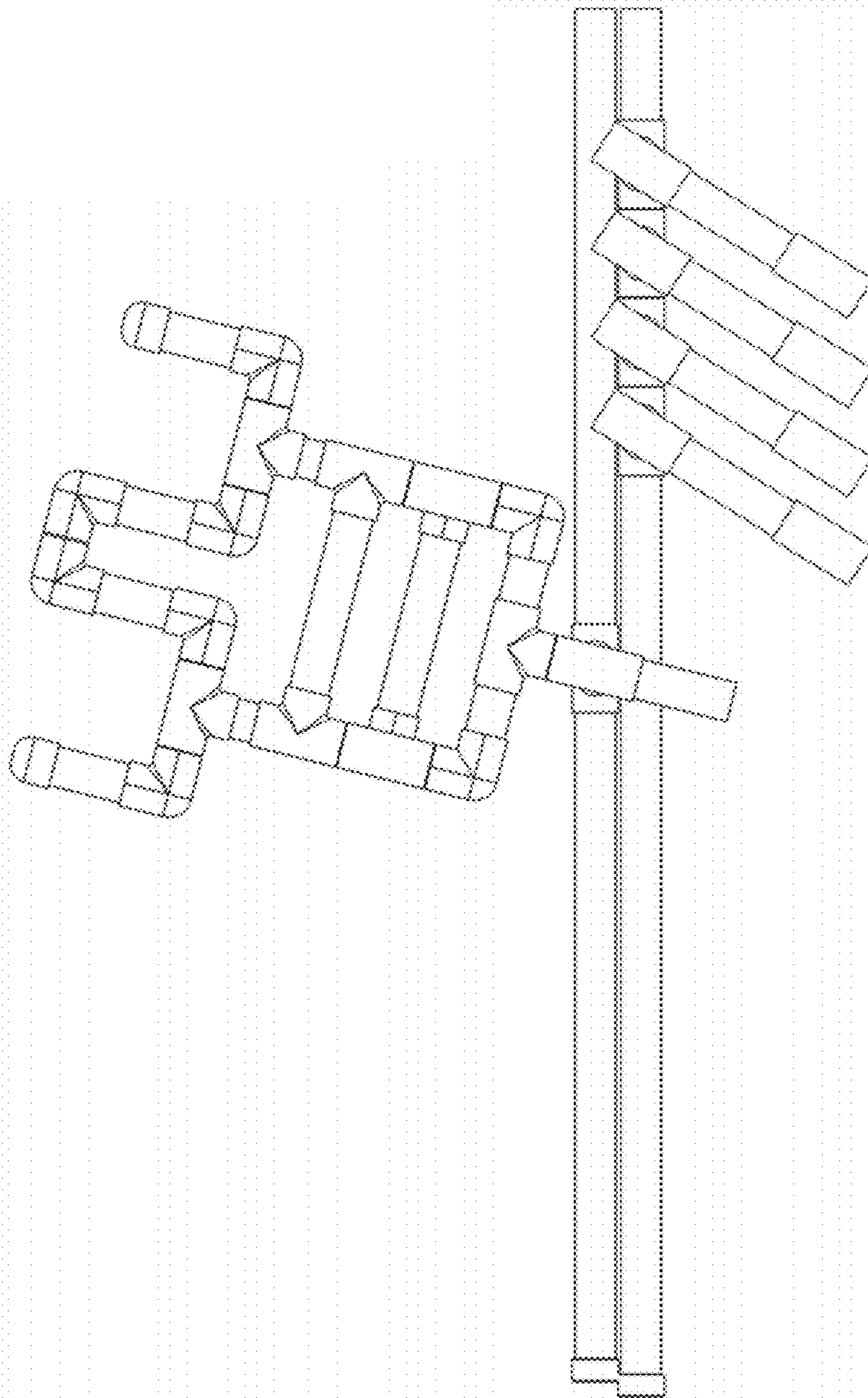


FIG. 2

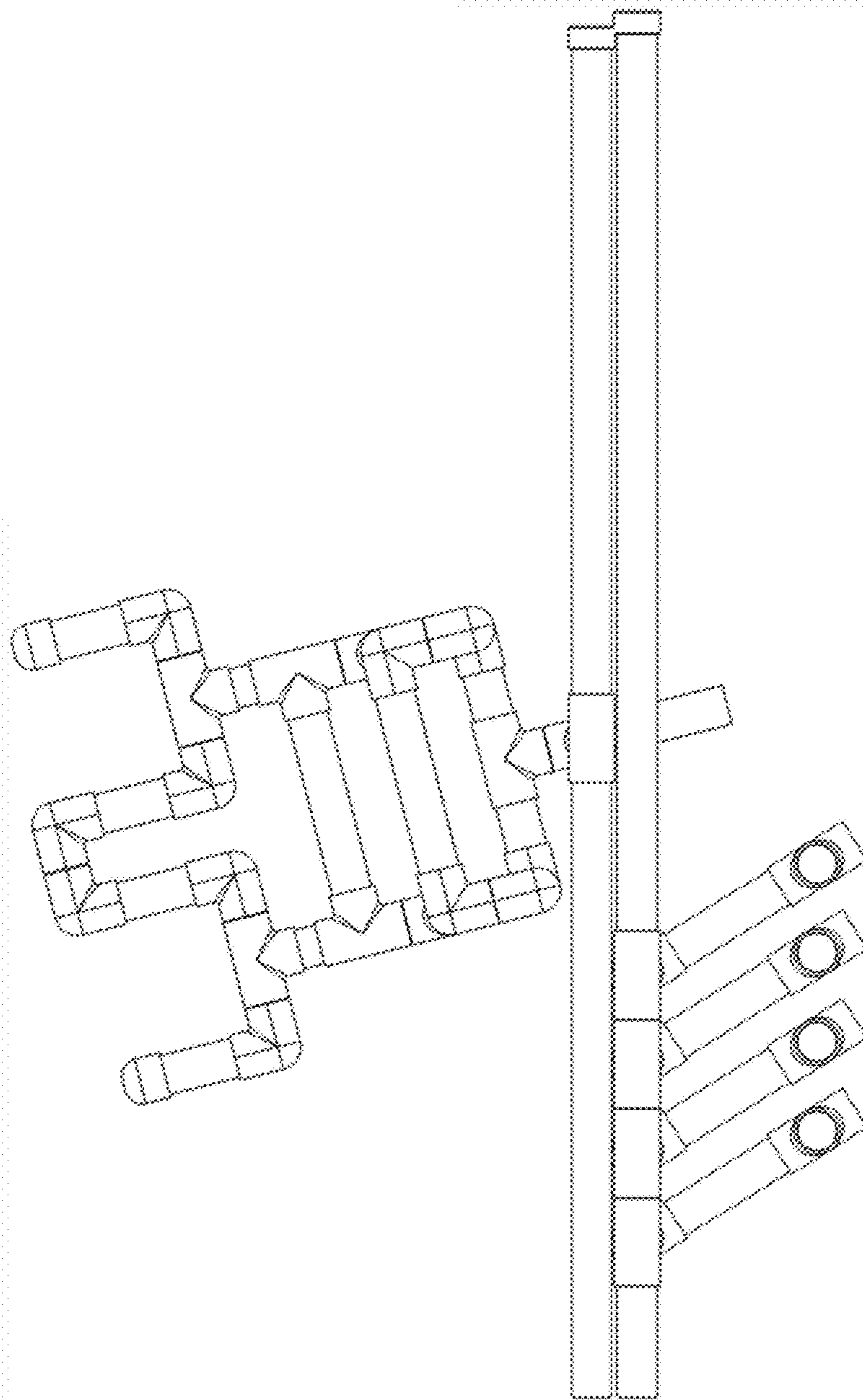


FIG. 3

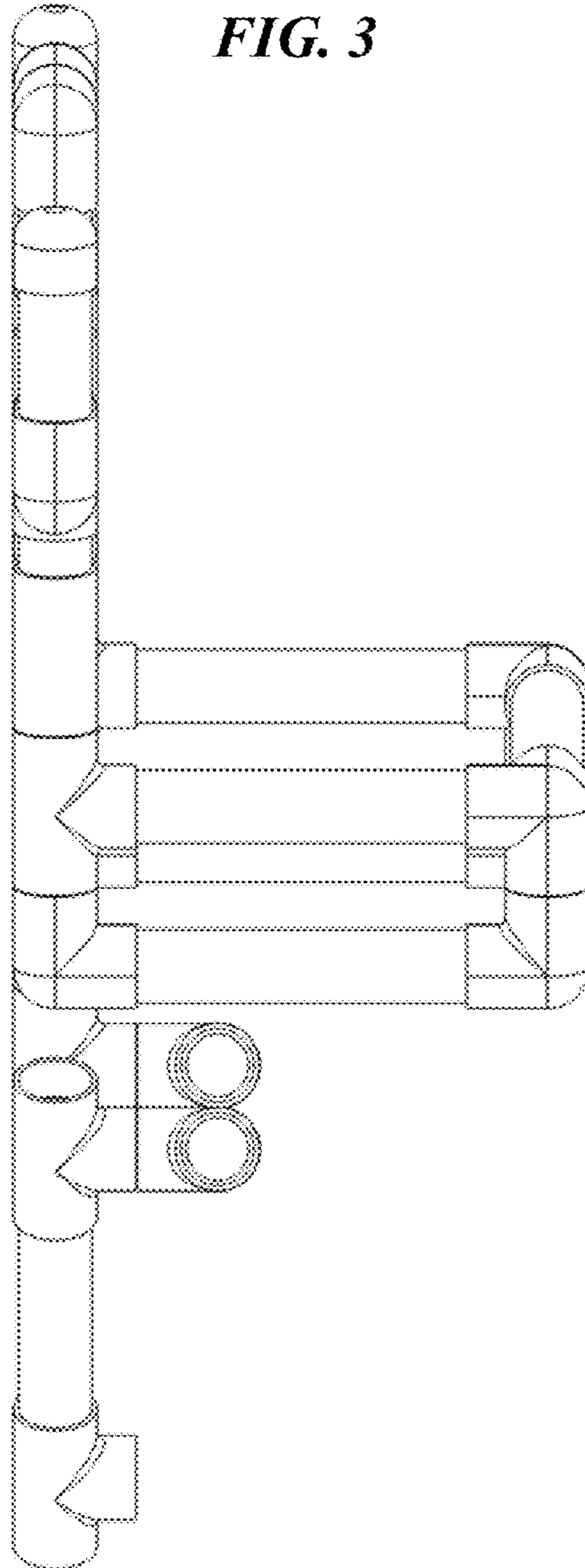


FIG. 4

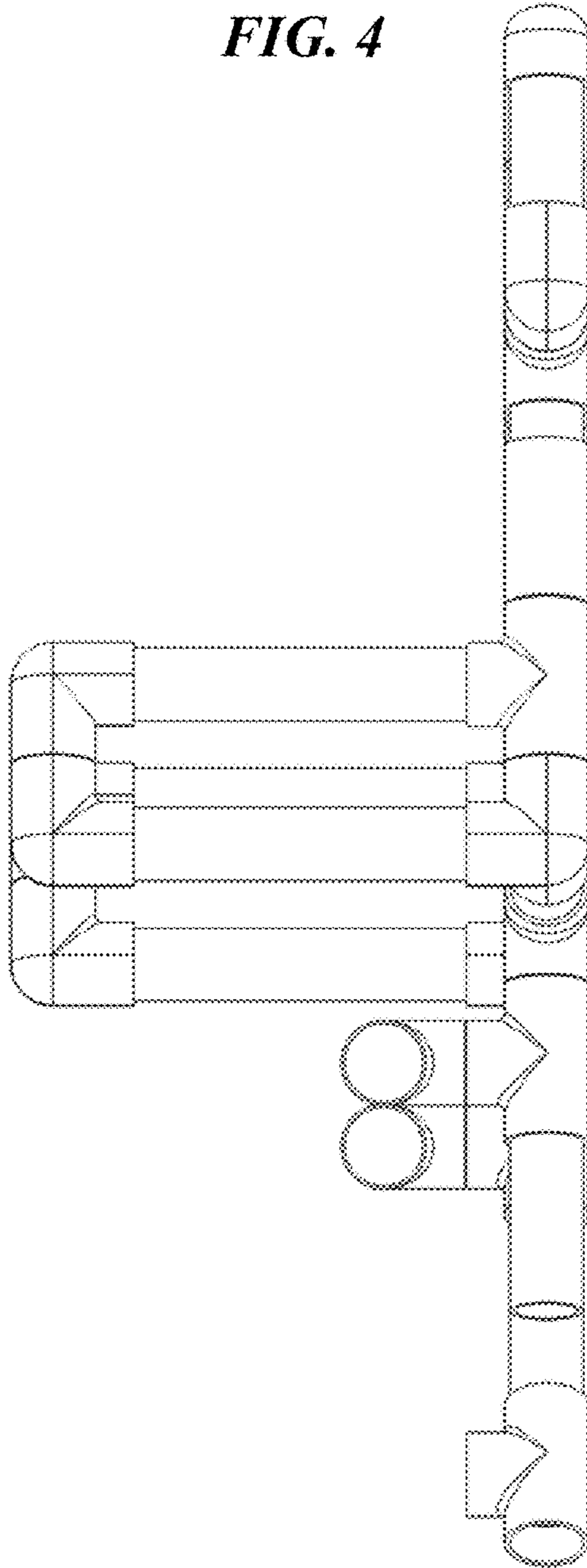


FIG. 5

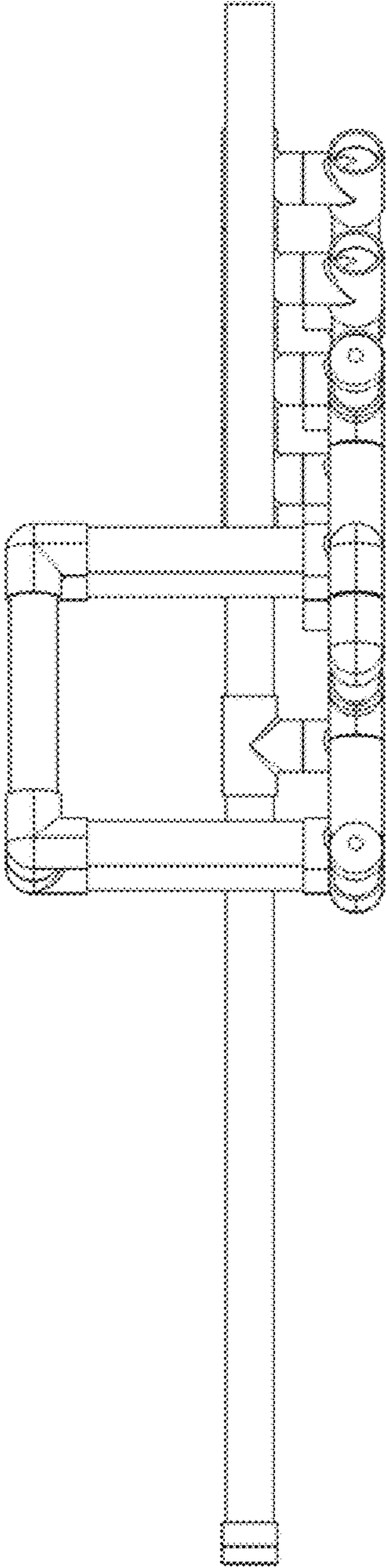


FIG. 6

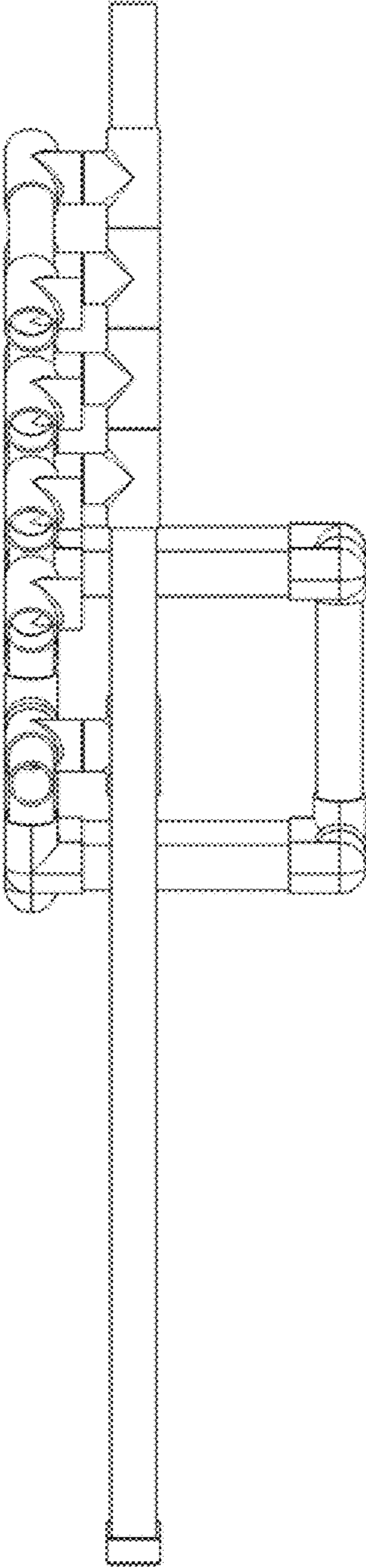


FIG. 7

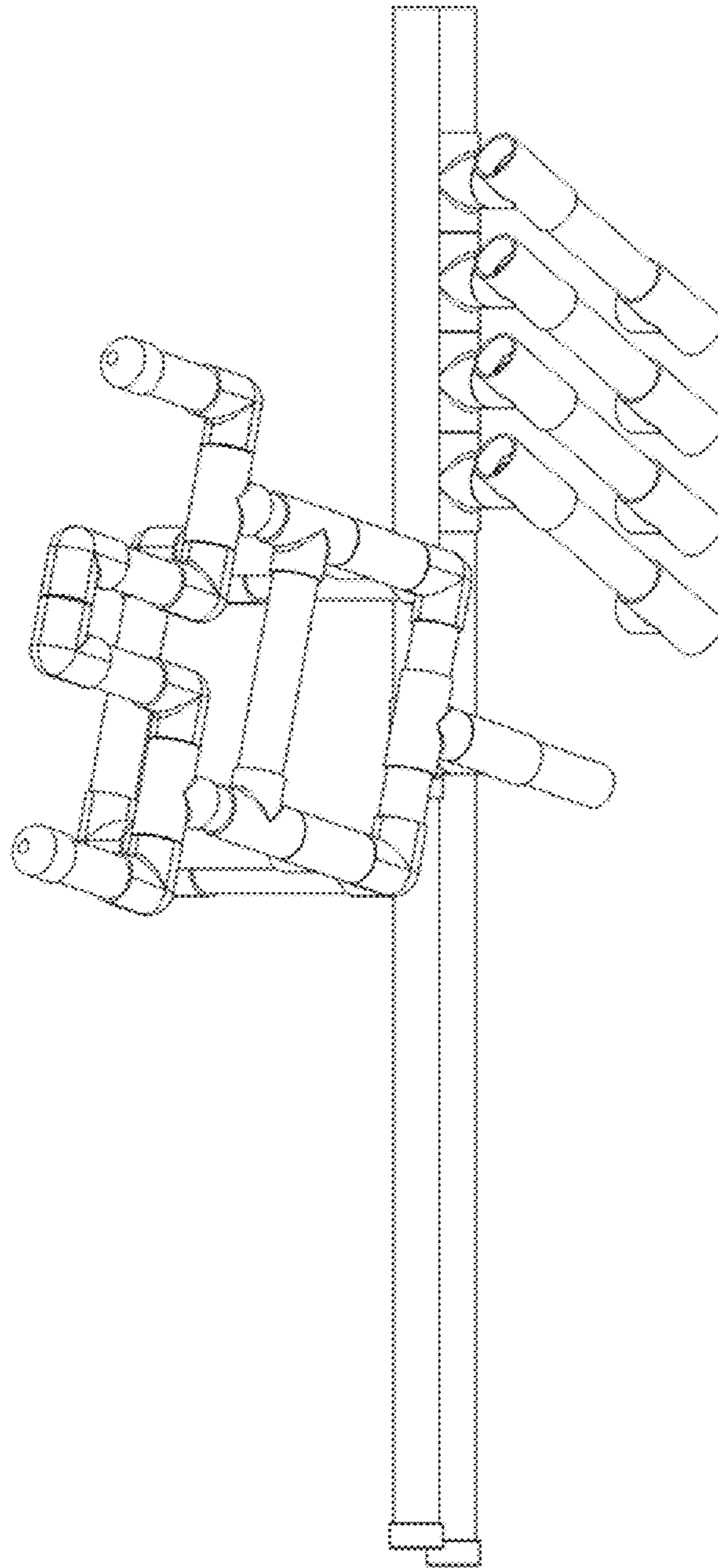
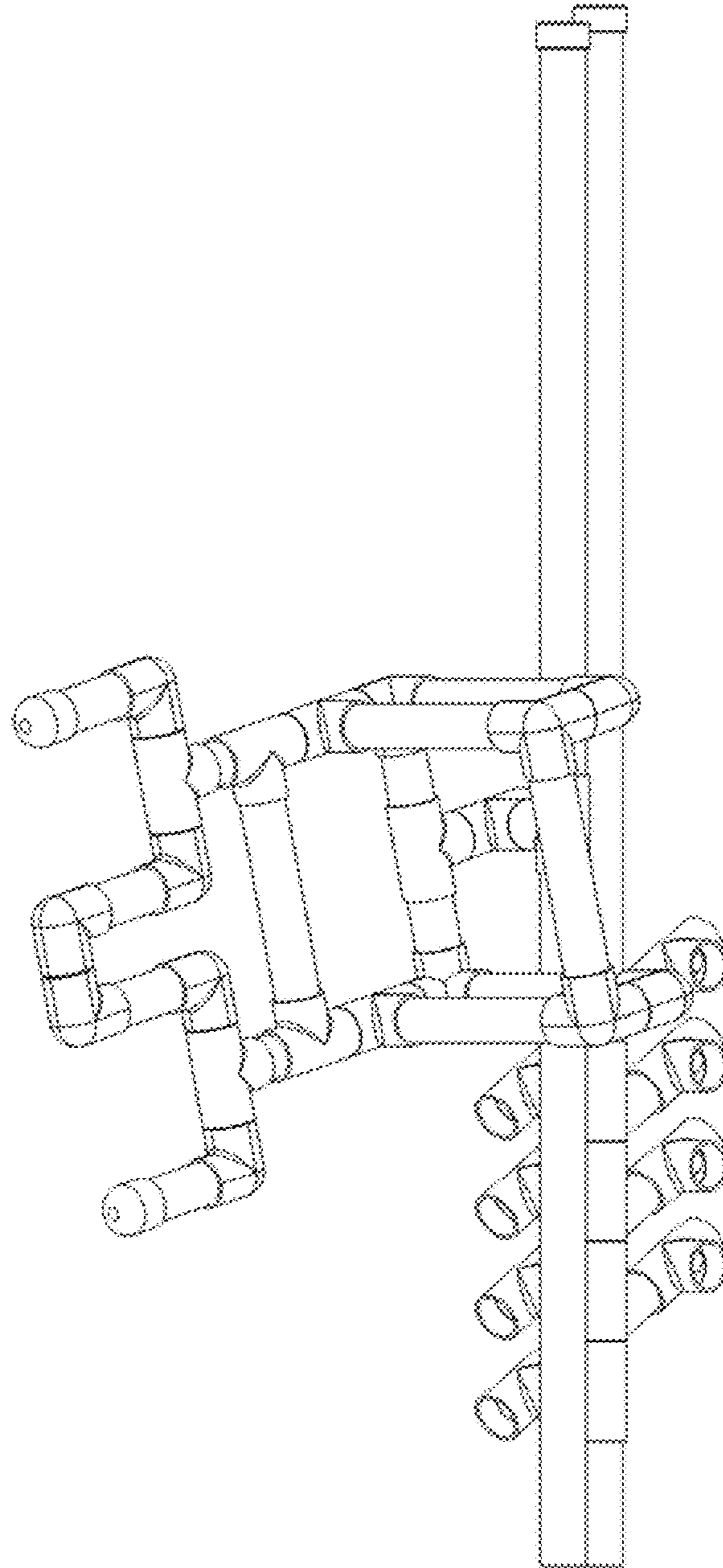


FIG. 8



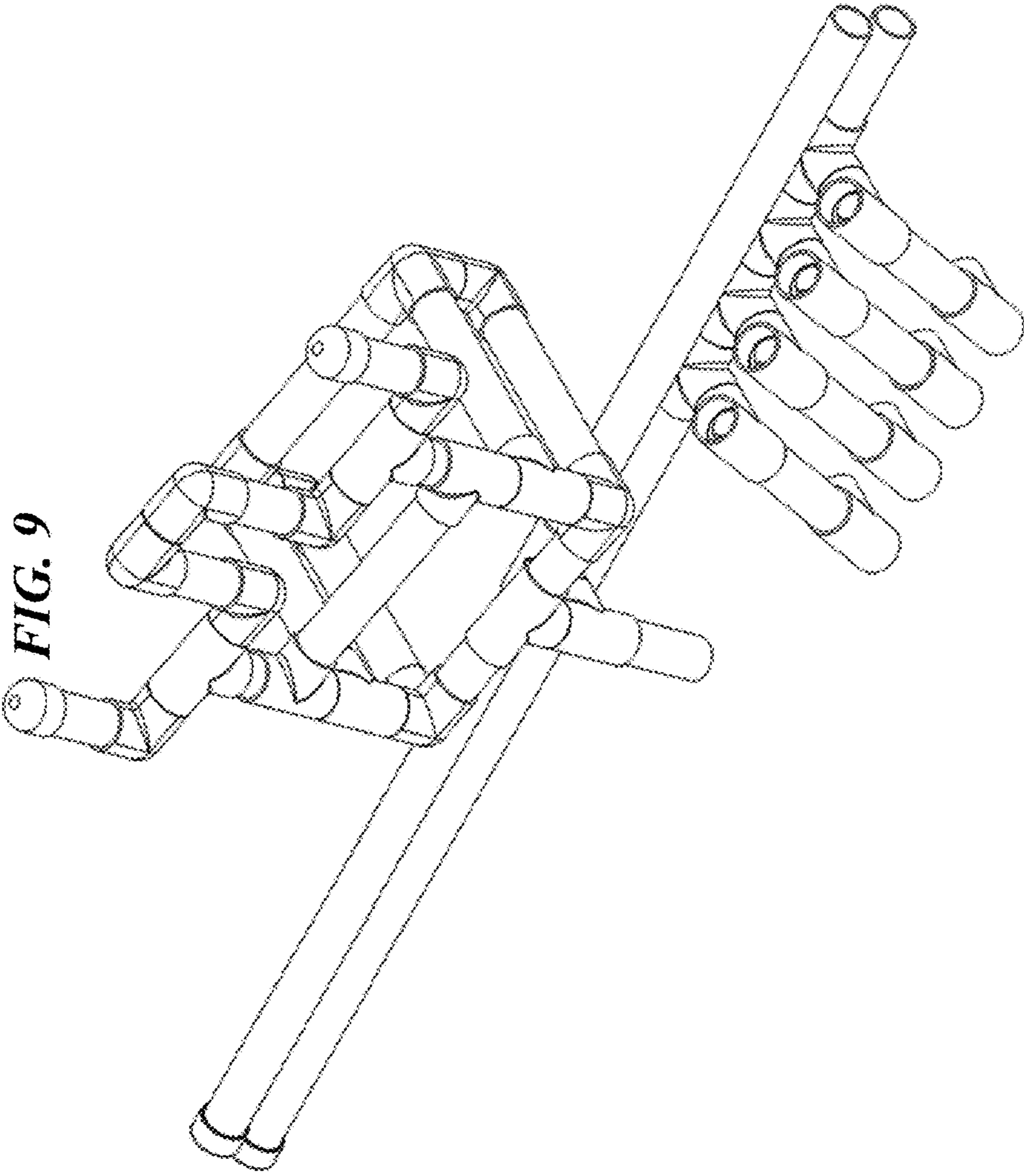
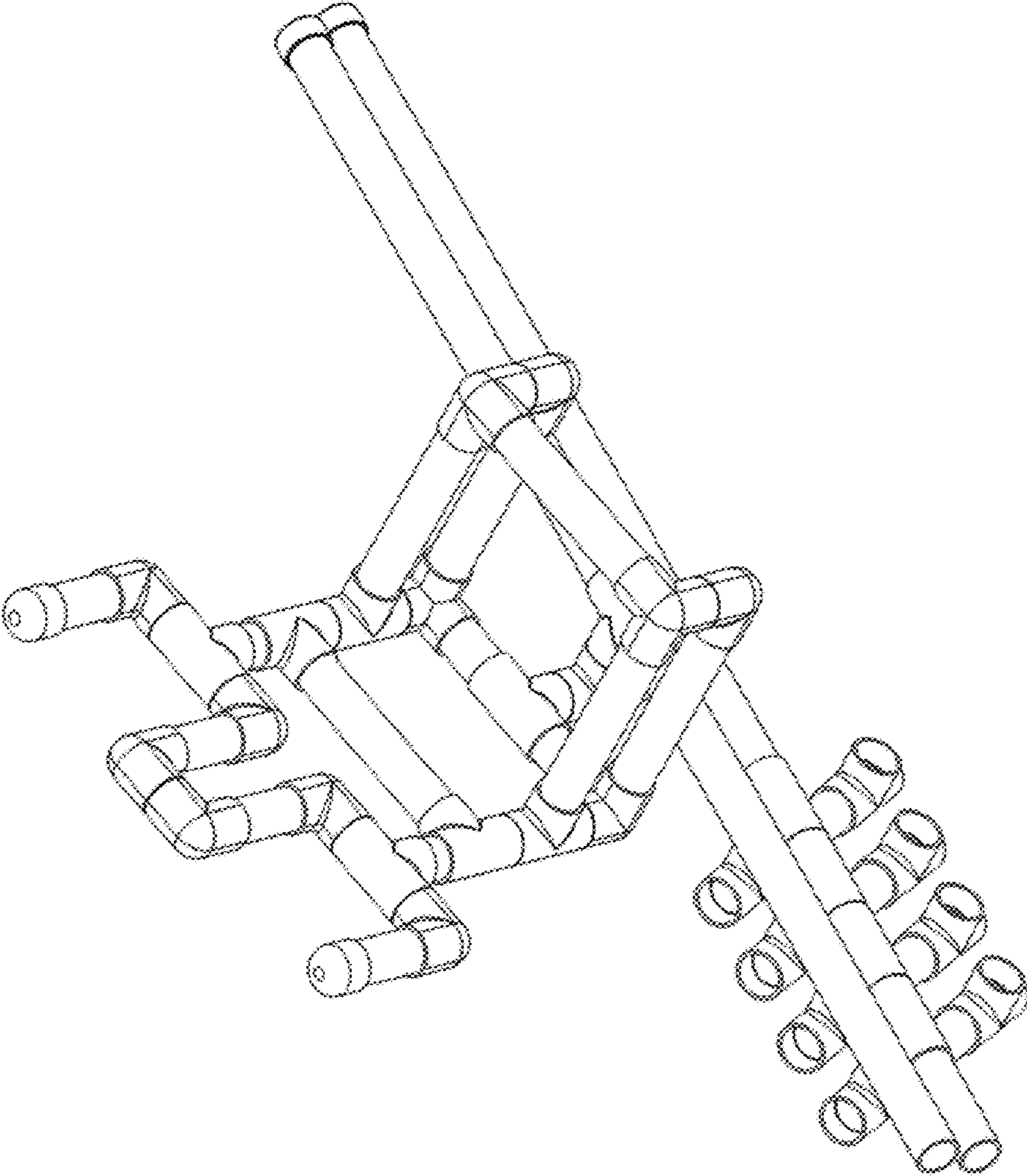
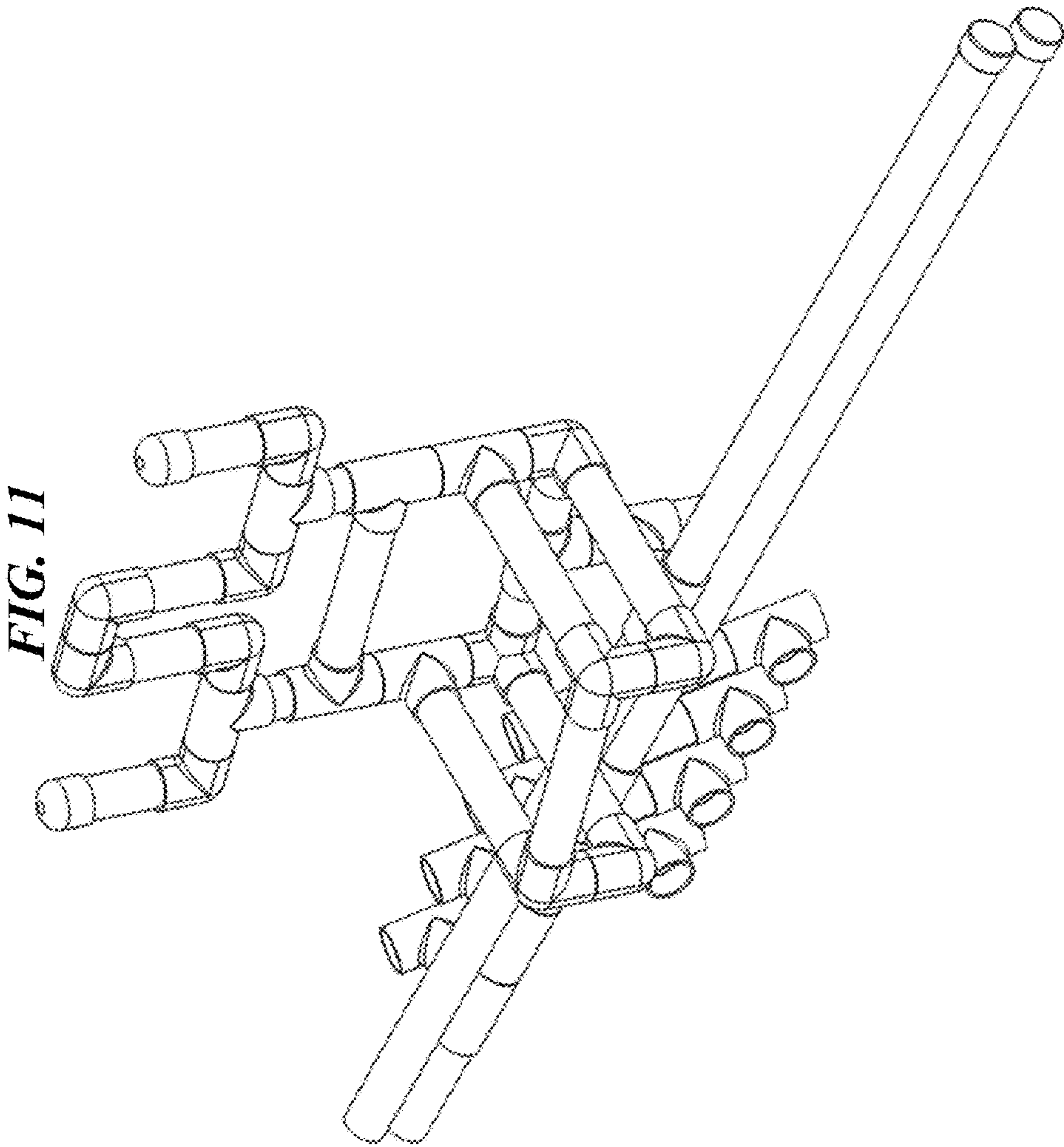


FIG. 9

FIG. 10





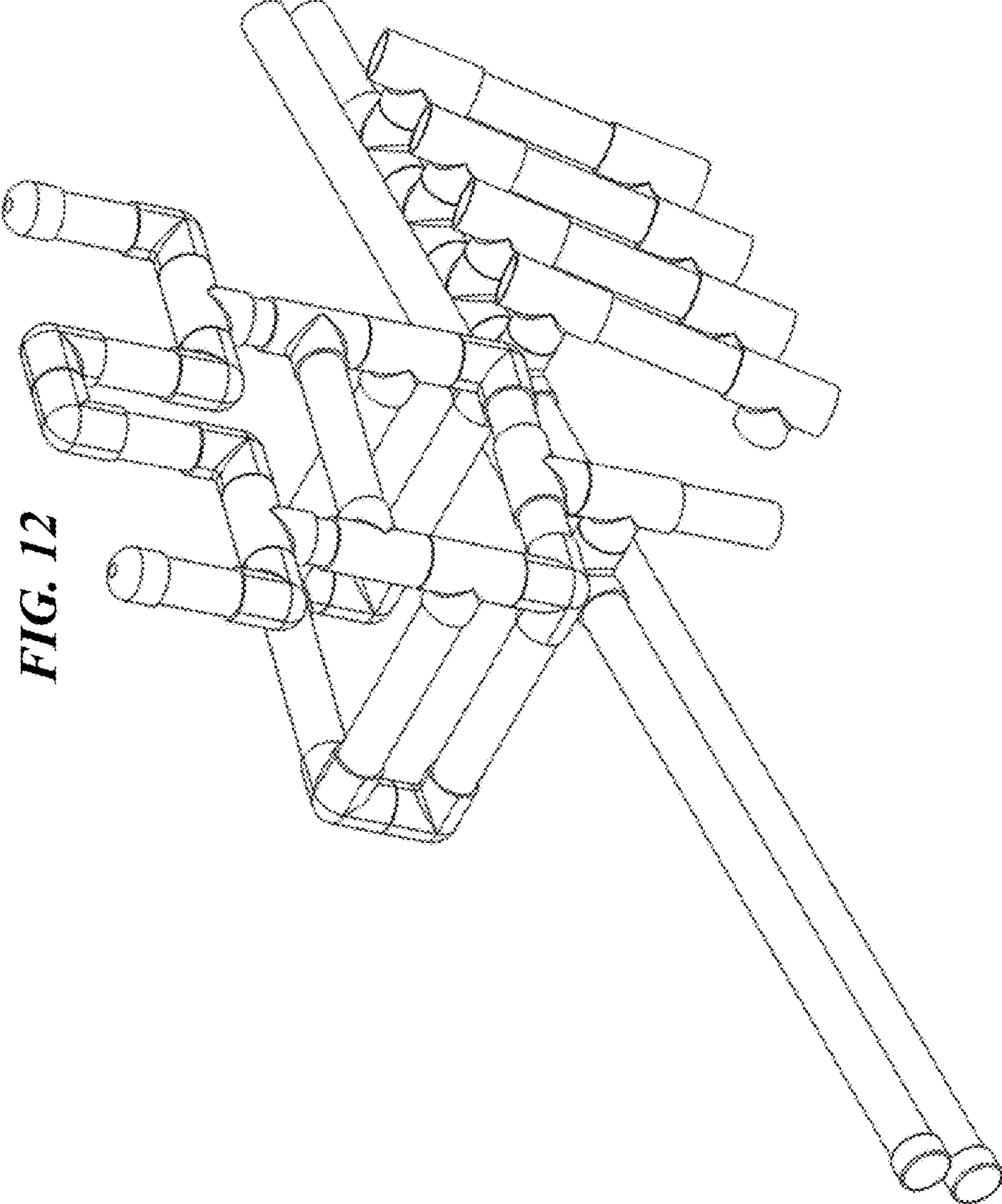
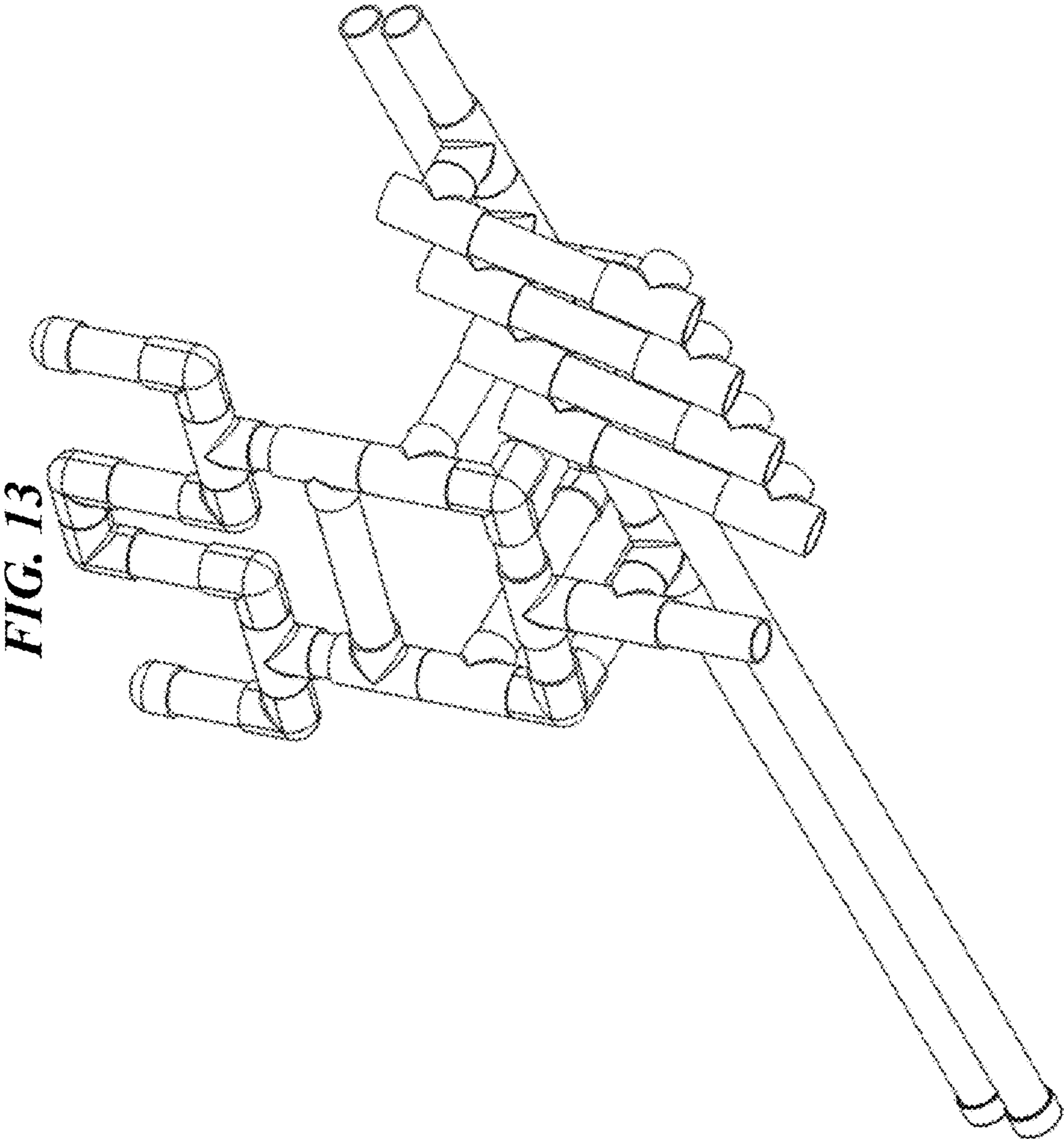


FIG. 12



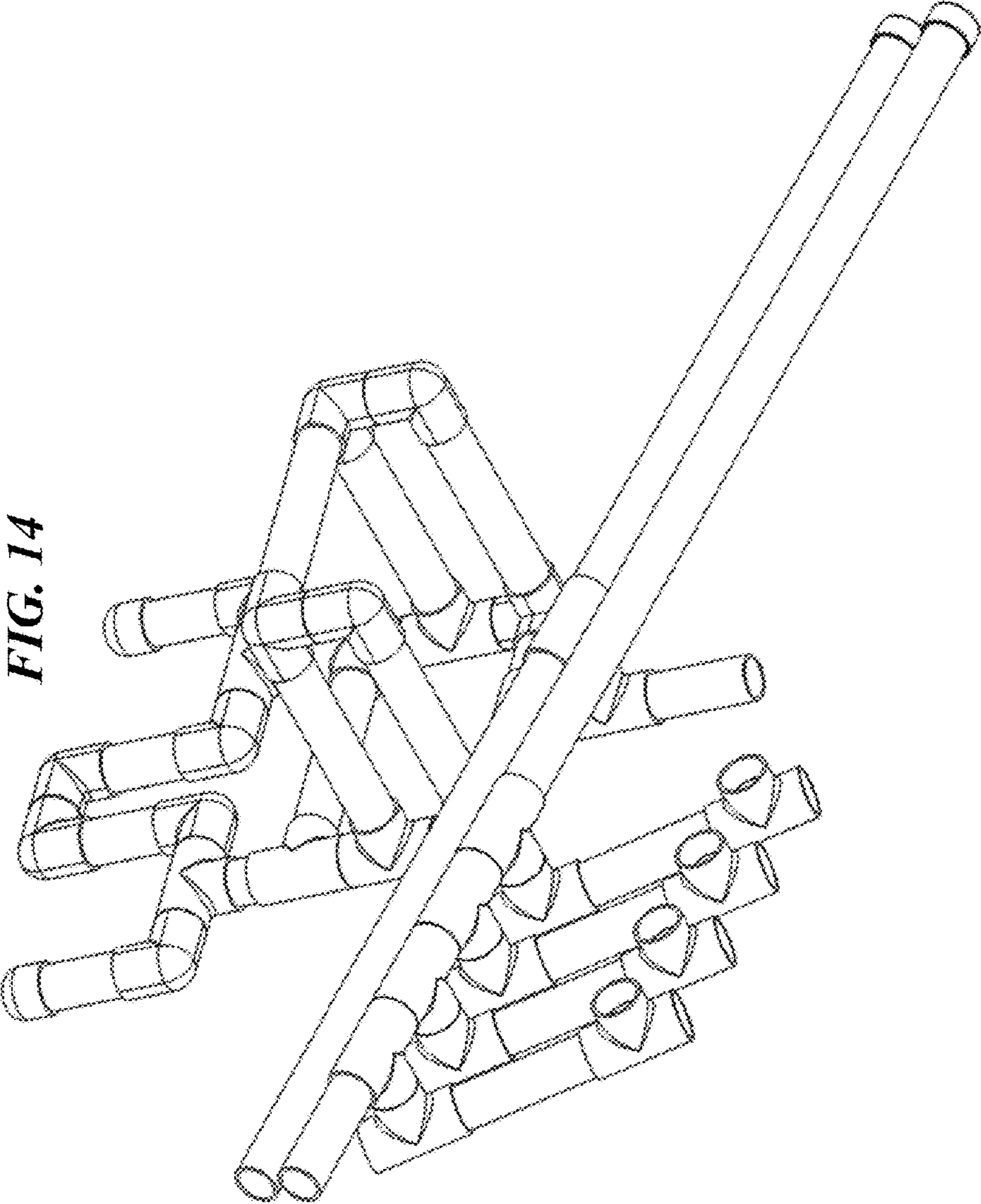


FIG. 14

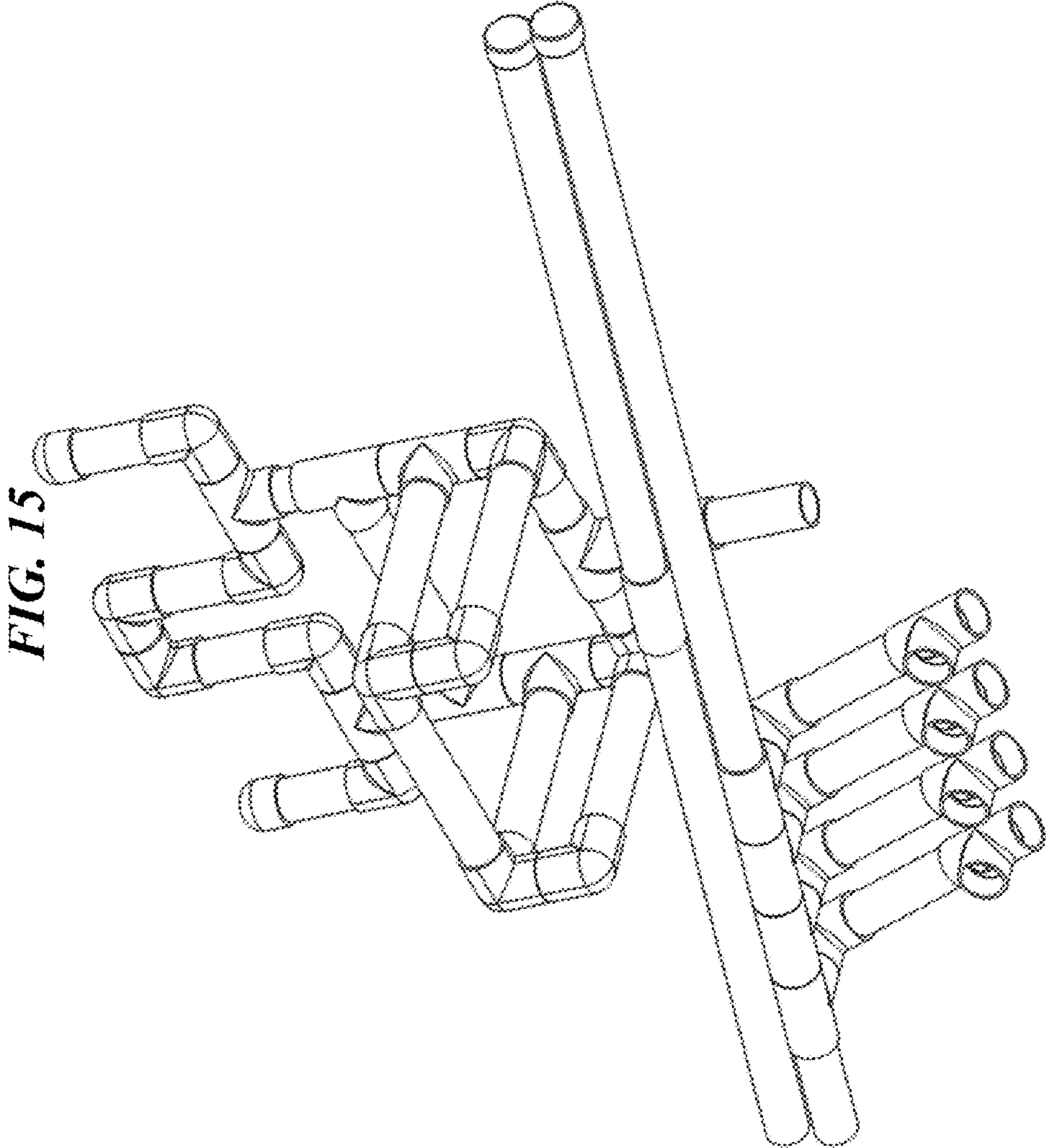


FIG. 15

FIG. 16

